



US00D608491S

(12) **United States Design Patent**  
**Zaderej et al.**

(10) **Patent No.:** **US D608,491 S**  
(45) **Date of Patent:** **\*\* Jan. 19, 2010**

- (54) **ILLUMINATION DEVICE**
- (75) Inventors: **Victor V. Zaderej**, St. Charles, IL (US);  
**Daniel B. McGowan**, Naperville, IL (US)
- (73) Assignee: **Molex Incorporated**, Lisle, IL (US)
- (\*\*) Term: **14 Years**
- (21) Appl. No.: **29/336,387**
- (22) Filed: **May 1, 2009**
- (51) **LOC (9) Cl.** ..... **26-99**
- (52) **U.S. Cl.** ..... **D26/118**
- (58) **Field of Classification Search** ..... D26/1,  
D26/2, 3, 4, 24, 28, 72, 74, 77, 113, 118,  
D26/119, 120, 121, 122, 123, 124, 128, 129,  
D26/130, 133, 134, 136, 139, 142; D13/179;  
362/330, 218, 217.03, 217.04, 217.05, 290,  
362/291, 294, 296.01, 301, 326, 331, 341,  
362/342, 350

See application file for complete search history.

(56) **References Cited**

**U.S. PATENT DOCUMENTS**

D281,355 S	11/1985	Fraley et al.	
D326,537 S *	5/1992	Gattari	D26/74
D336,963 S	6/1993	Levin et al.	
D337,389 S	7/1993	Levin et al.	
D390,672 S	2/1998	Seid	
D394,121 S *	5/1998	Seid	D26/28
D427,335 S	6/2000	Noll	
D433,166 S	10/2000	Noll	
D485,006 S	1/2004	Huang	
D516,229 S	2/2006	Tang	
D527,119 S *	8/2006	Maxik et al.	D26/2
D529,635 S	10/2006	Johnson	
D530,836 S	10/2006	Johnson	
D542,943 S	5/2007	Wang	
D544,117 S	6/2007	Coushaine	
D544,618 S	6/2007	Coushaine	
D545,457 S	6/2007	Chen	
D546,980 S	7/2007	Lo	

D547,466 S	7/2007	Lo	
D551,784 S	9/2007	Krieglmeyer et al.	
D552,277 S	10/2007	Chue	
D553,274 S	10/2007	Hill et al.	
D561,917 S	2/2008	Tsao	
D565,212 S	3/2008	Butler	
D566,300 S	4/2008	Lo	
D568,498 S	5/2008	Degenhard et al.	
D571,497 S *	6/2008	Chan et al.	D26/74
D573,294 S	7/2008	Chan et al.	
D581,083 S *	11/2008	Chan et al.	D26/74
D581,555 S	11/2008	To et al.	
D582,062 S	12/2008	Van de Poel	
D582,578 S	12/2008	Tsai et al.	
D582,579 S	12/2008	Tsai et al.	
D586,497 S	2/2009	Wu et al.	

(Continued)

*Primary Examiner*—Cathron C Brooks  
*Assistant Examiner*—Kevin K Rudzinski  
(74) *Attorney, Agent, or Firm*—Banner & Witcoff, Ltd.

(57) **CLAIM**

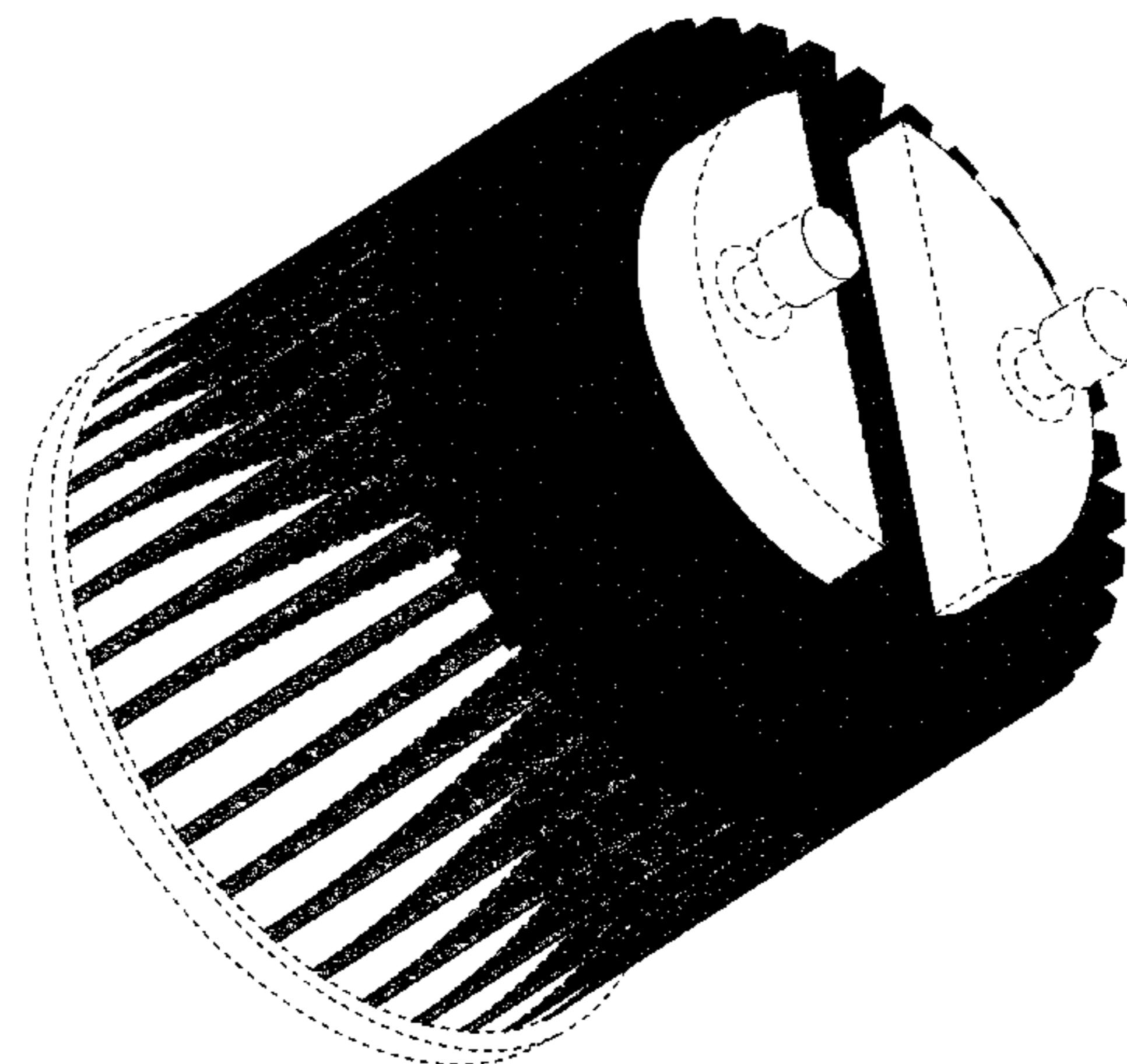
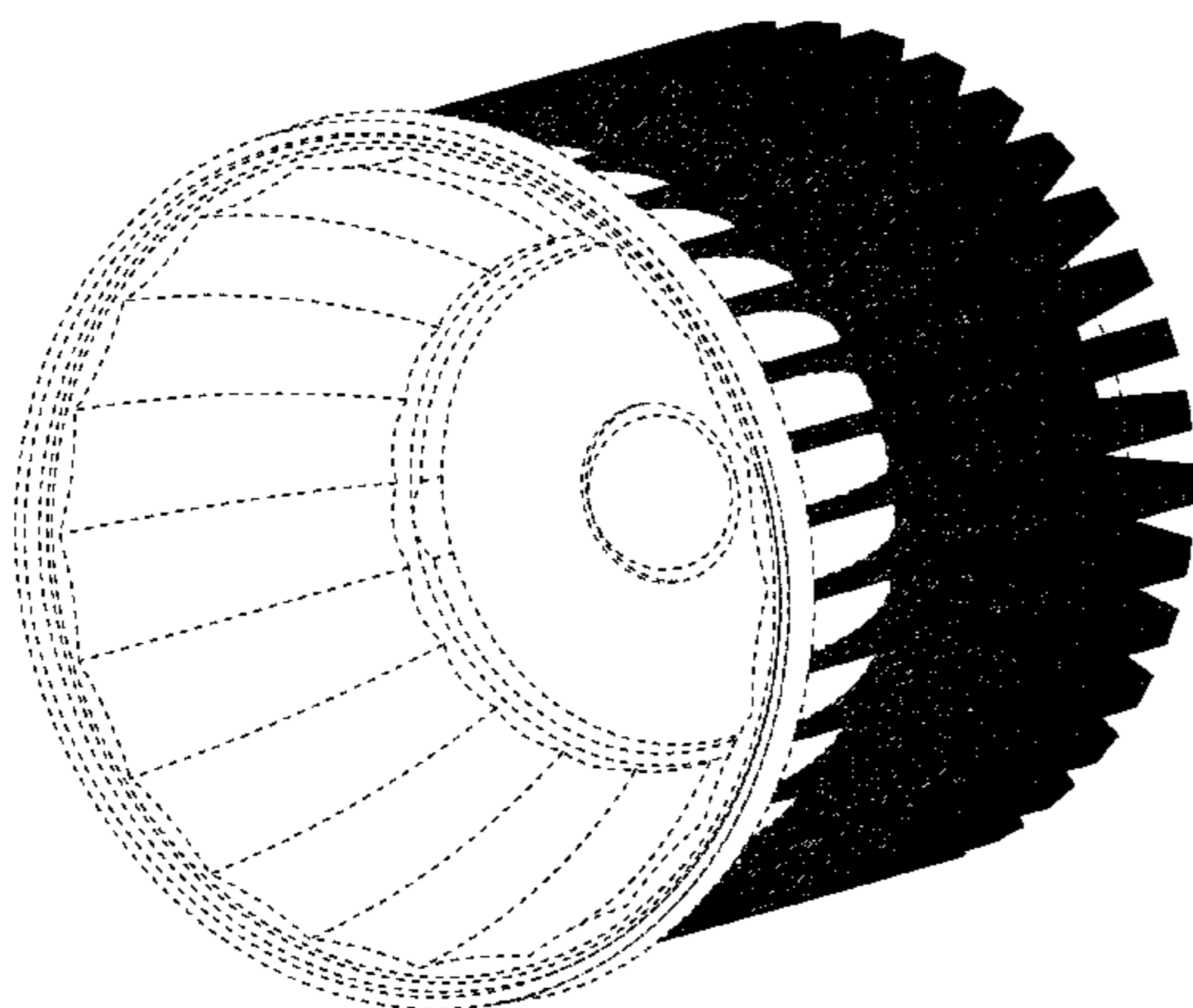
The ornamental design for an illumination device, as shown and described.

**DESCRIPTION**

FIG. 1 is a first perspective view of an illumination device showing our new design;  
FIG. 2 is a second perspective view thereof;  
FIG. 3 is a rear view thereof;  
FIG. 4 is a left side view thereof;  
FIG. 5 is a right side view thereof;  
FIG. 6 is a top view thereof; and,  
FIG. 7 is a bottom view thereof.

The difference in shading in the two claimed regions represents a contrast of appearance and no particular color. The broken line showing of various features of the illumination device depicts environmental subject matter only and forms no part of the claimed design.

**1 Claim, 4 Drawing Sheets**



# US D608,491 S

Page 2

---

## U.S. PATENT DOCUMENTS

D586,498 S	2/2009	Wu et al.	D590,076 S	4/2009	Grajcar	
D587,383 S	2/2009	Wei	D590,077 S	4/2009	Grajcar	
D587,384 S	2/2009	Wei	D591,894 S	5/2009	Flank	
D590,075 S	4/2009	Grajcar	2007/0297177 A1*	12/2007	Wang et al.	..... 362/294

\* cited by examiner

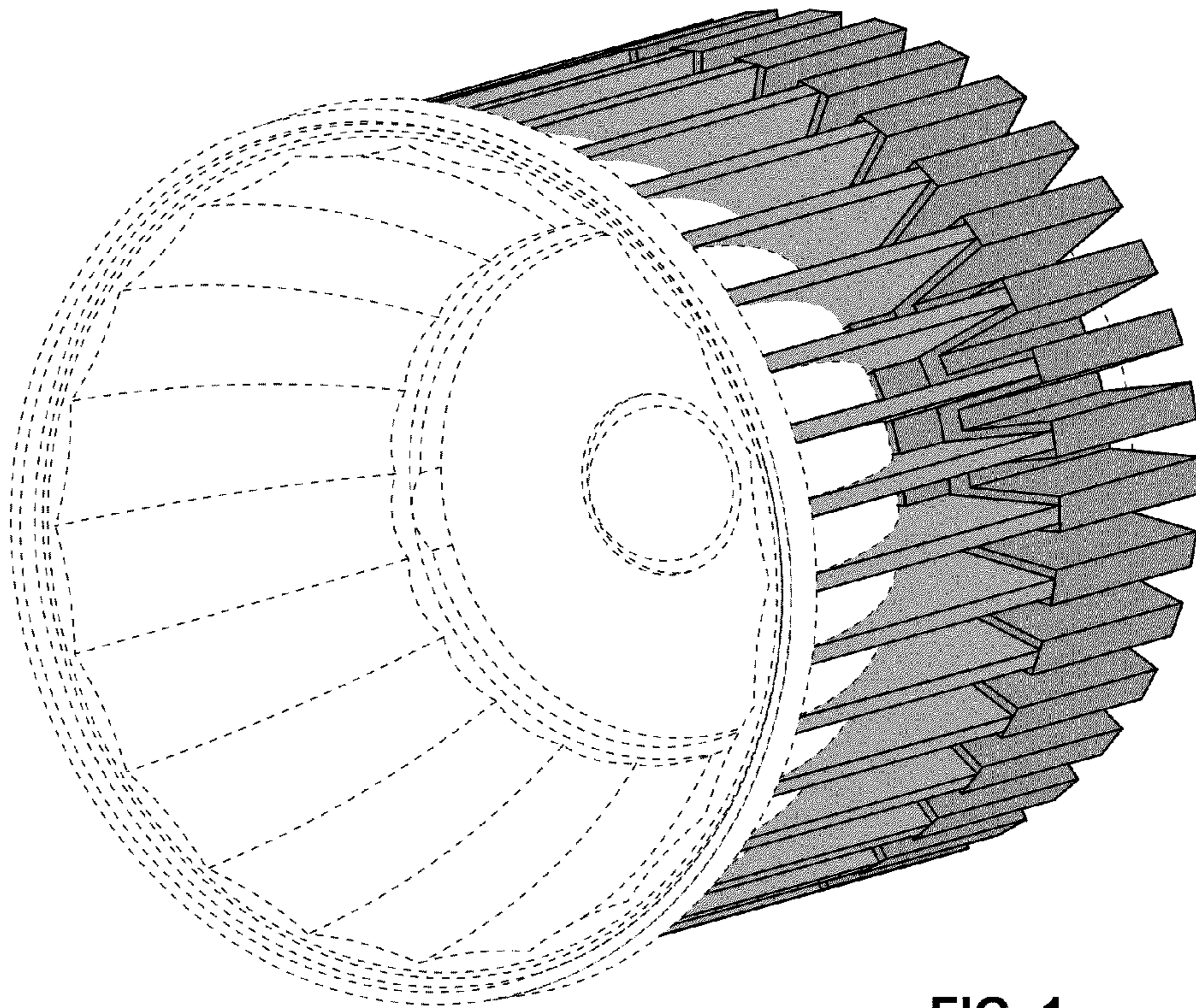


FIG. 1

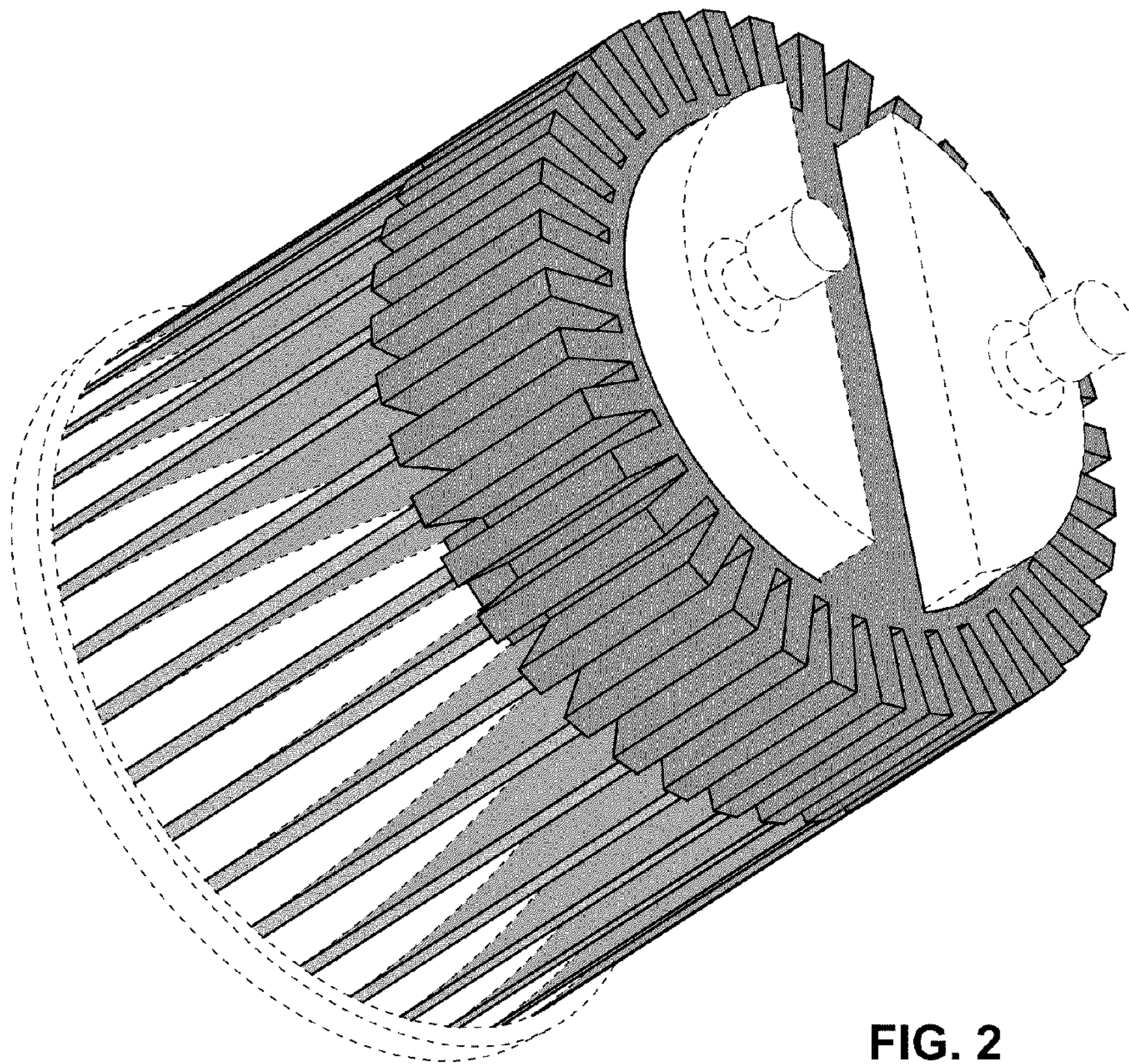


FIG. 2

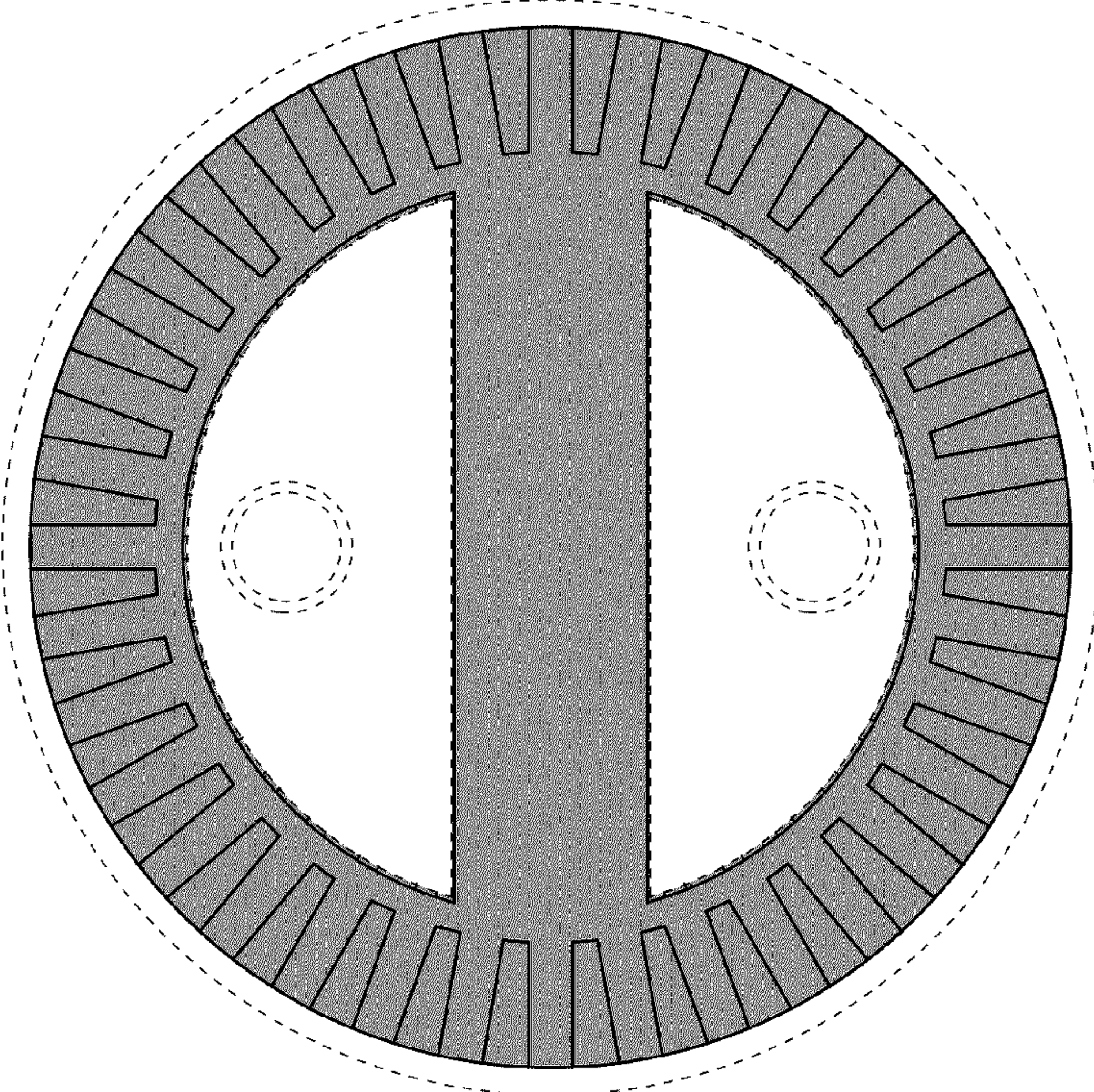


FIG. 3

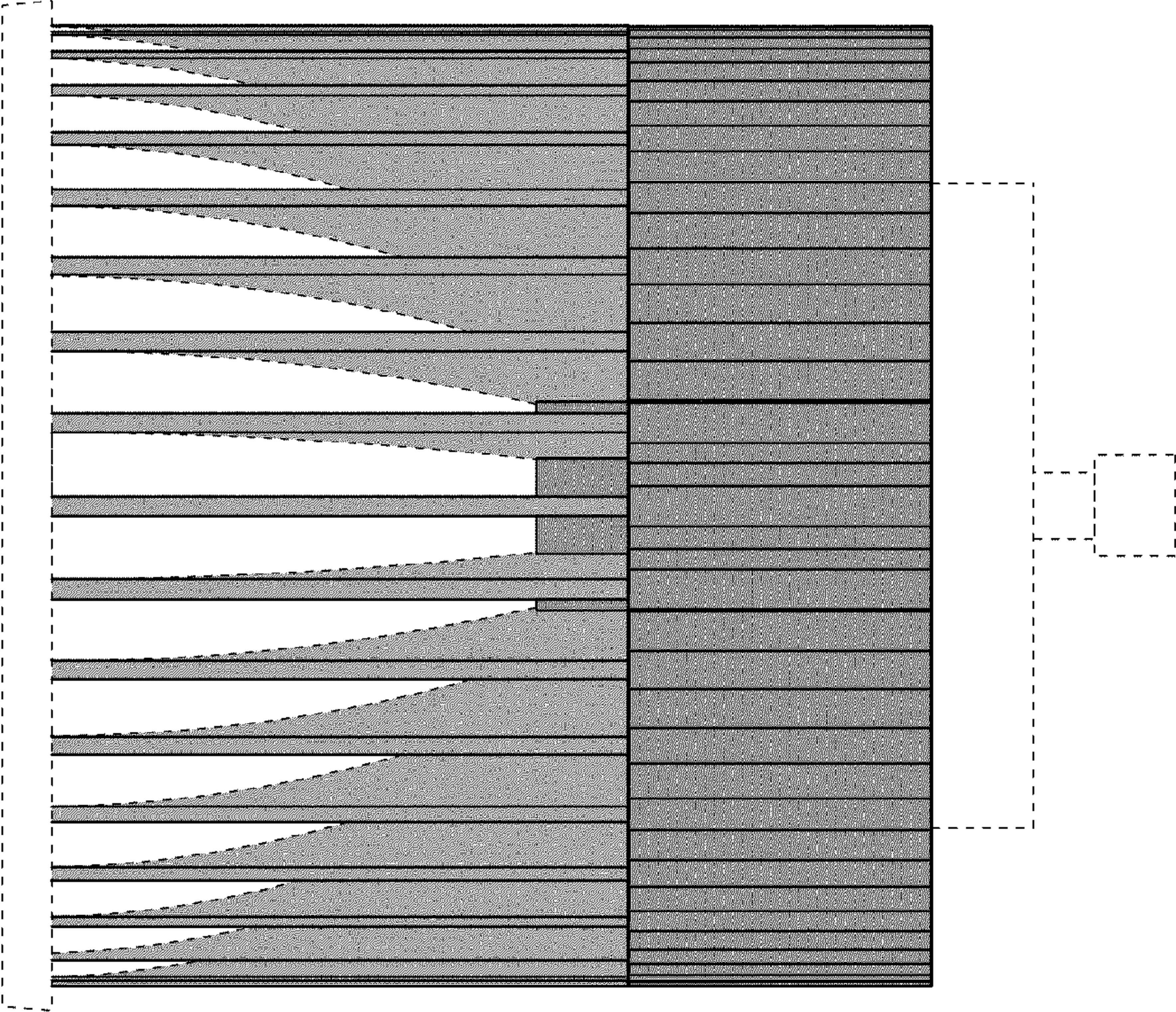


FIG. 4

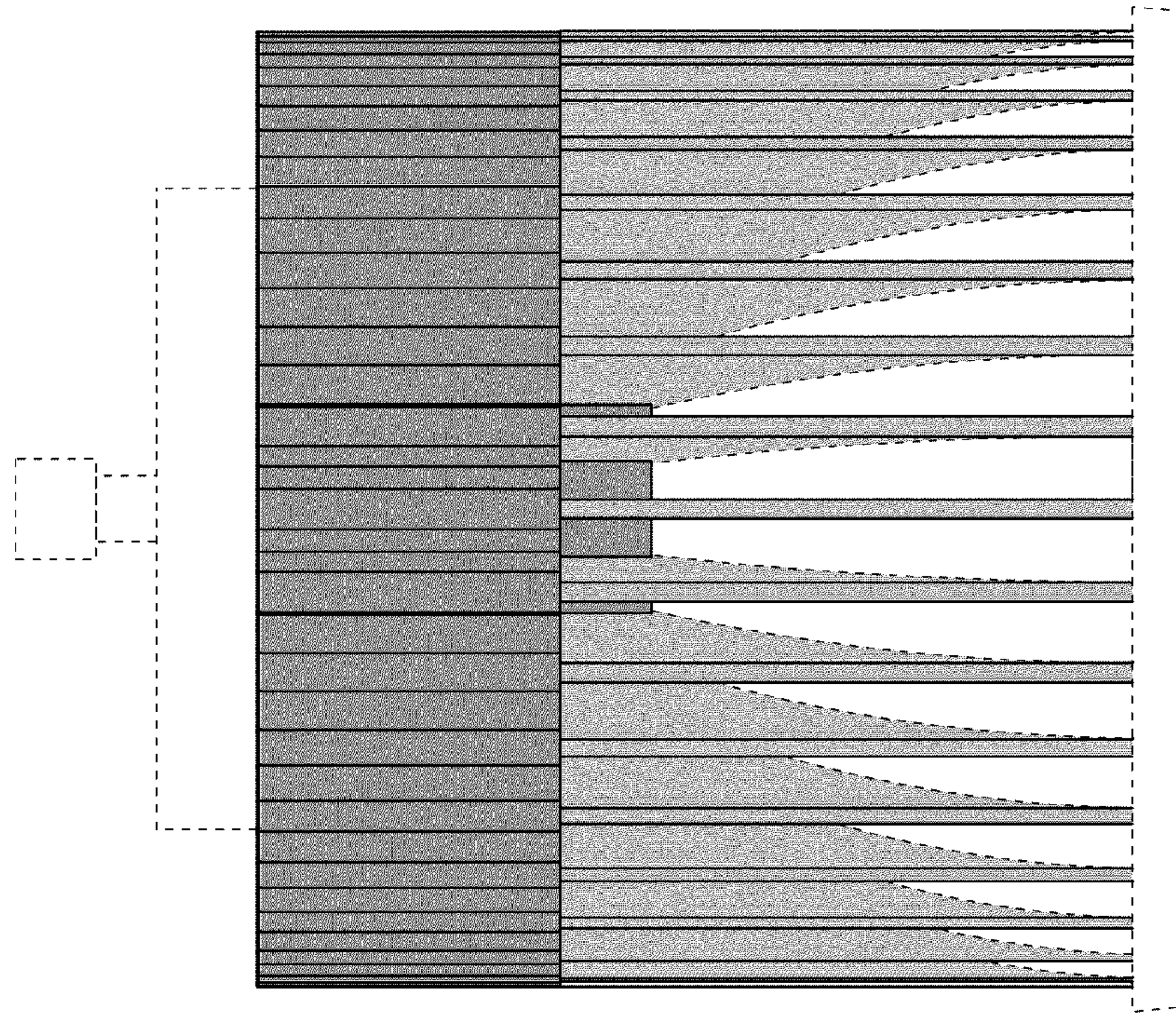


FIG. 5

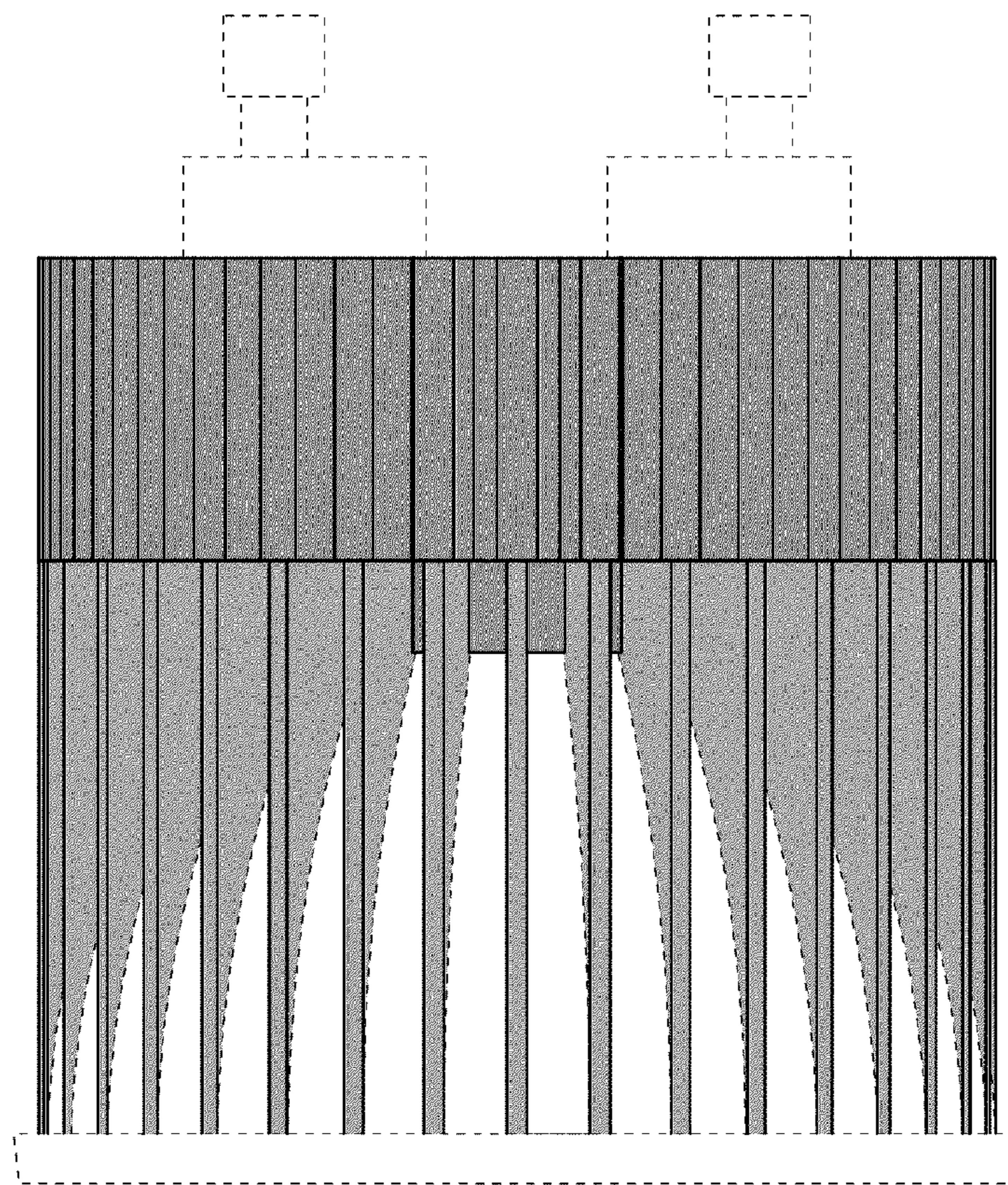


FIG. 6

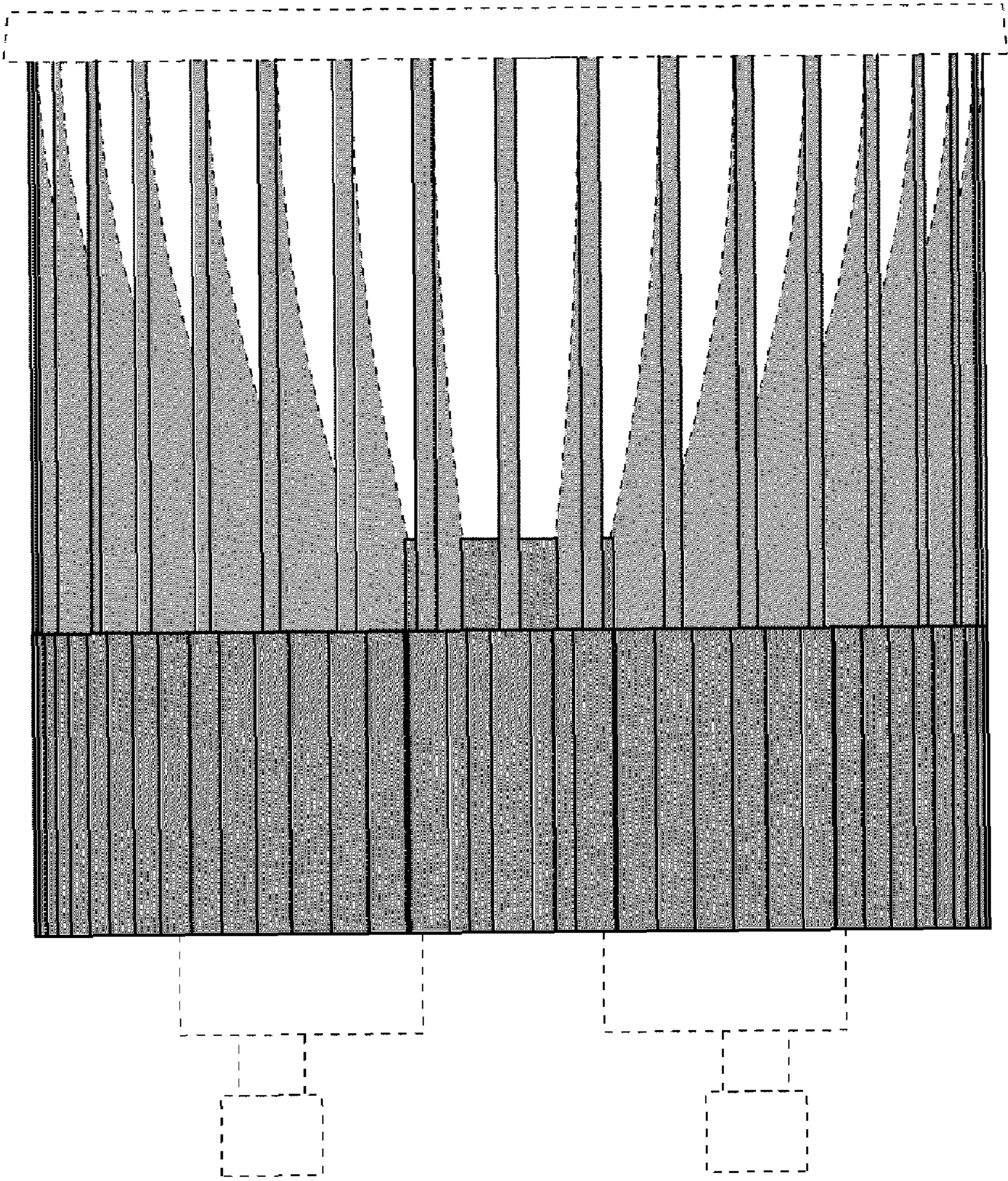


FIG. 7