



US00D608489S

(12) **United States Design Patent**
Chandler

(10) **Patent No.:** **US D608,489 S**
(45) **Date of Patent:** **** Jan. 19, 2010**

(54) **LAMP**

(75) Inventor: **George Chandler**, Hubbardton, VT (US)

(73) Assignee: **Hubbardton Forge LLC**, Castleton, VT (US)

(**) Term: **14 Years**

(21) Appl. No.: **29/338,951**

(22) Filed: **Jun. 22, 2009**

(51) **LOC (9) Cl.** **26-03**

(52) **U.S. Cl.** **D26/87**

(58) **Field of Classification Search** D26/72,
D26/85, 86, 87, 92; 362/147, 432

See application file for complete search history.

(56) **References Cited**

U.S. PATENT DOCUMENTS

D124,182 S	*	12/1940	McCann	D26/87
D197,530 S	*	2/1964	Jaffe, Jr. et al.	D26/85
D384,764 S	*	10/1997	Littman	D26/87
D441,125 S	*	4/2001	Crosby	D26/87
D487,815 S	*	3/2004	Hoernig	D26/87
D535,427 S	*	1/2007	Chandler	D26/87
D553,784 S	*	10/2007	Estes	D26/85
D558,381 S	*	12/2007	Horn et al.	D26/85
D570,522 S	*	6/2008	Chandler	D26/85
D570,524 S	*	6/2008	Chandler	D26/87

OTHER PUBLICATIONS

Single Cylinder Line Voltage single lamp wall sconce #BV825-10. Shown on p. 20 of the ALICO Industries Inc. catalog. © 2008.*

* cited by examiner

Primary Examiner—Clare E Heflin

(74) *Attorney, Agent, or Firm*—Bourque and Associates PA

(57) **CLAIM**

The ornamental design for a lamp, as shown and described.

DESCRIPTION

FIG. 1 is a perspective view of the lamp according to the present invention;

FIG. 2 is a front elevation view of the lamp according to the present invention thereof;

FIG. 3 is a back elevation view of the lamp according to the present invention;

FIG. 4 is a left side elevation view of the lamp according to the present invention;

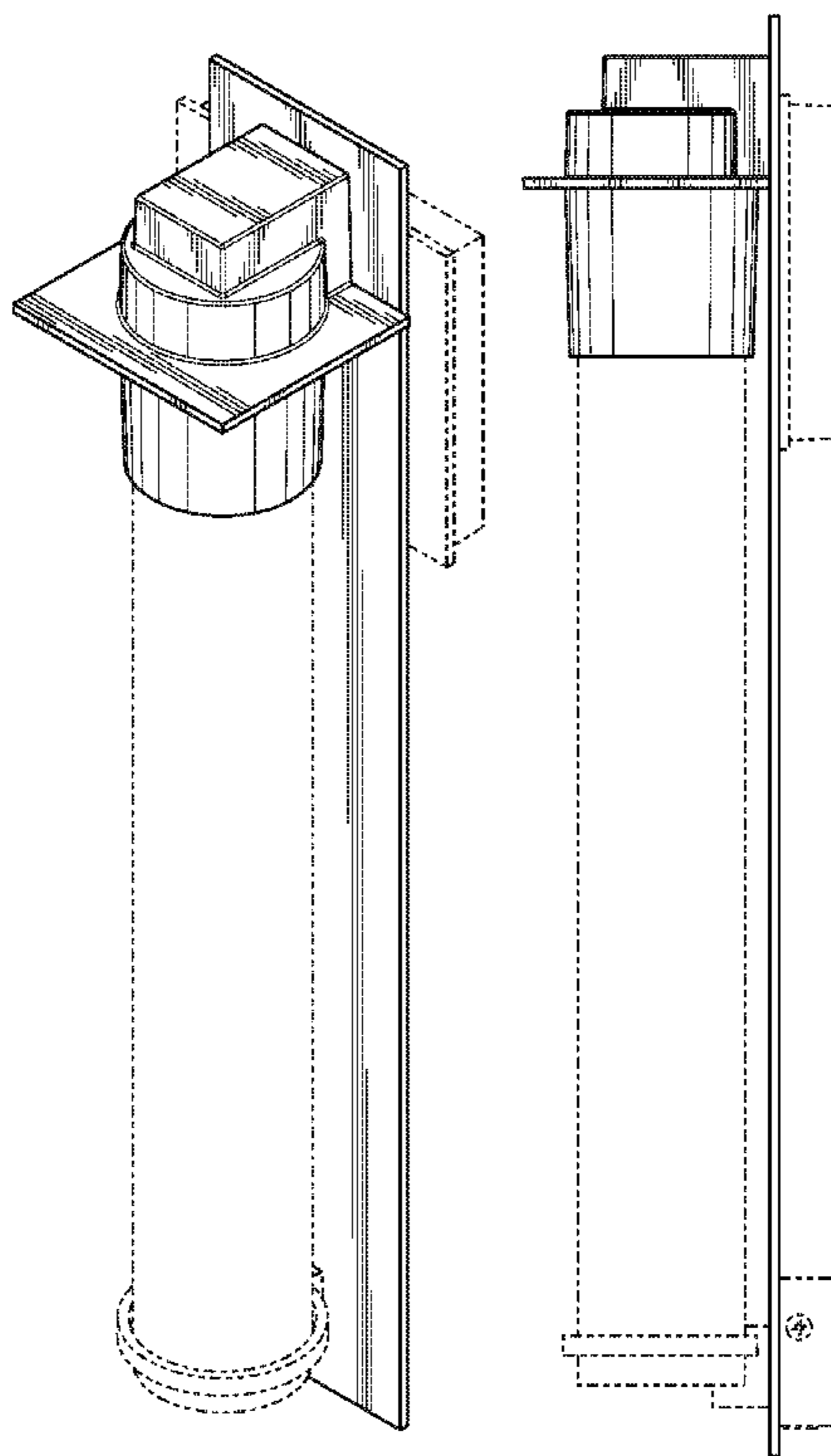
FIG. 5 is a right side elevation view of the lamp according to the present invention;

FIG. 6 is a top plan view of the lamp according to the present invention; and,

FIG. 7 is a bottom plan view of the lamp according to the present invention.

The broken lines shown are for illustrative purposes only and form no part of the claimed design.

1 Claim, 6 Drawing Sheets



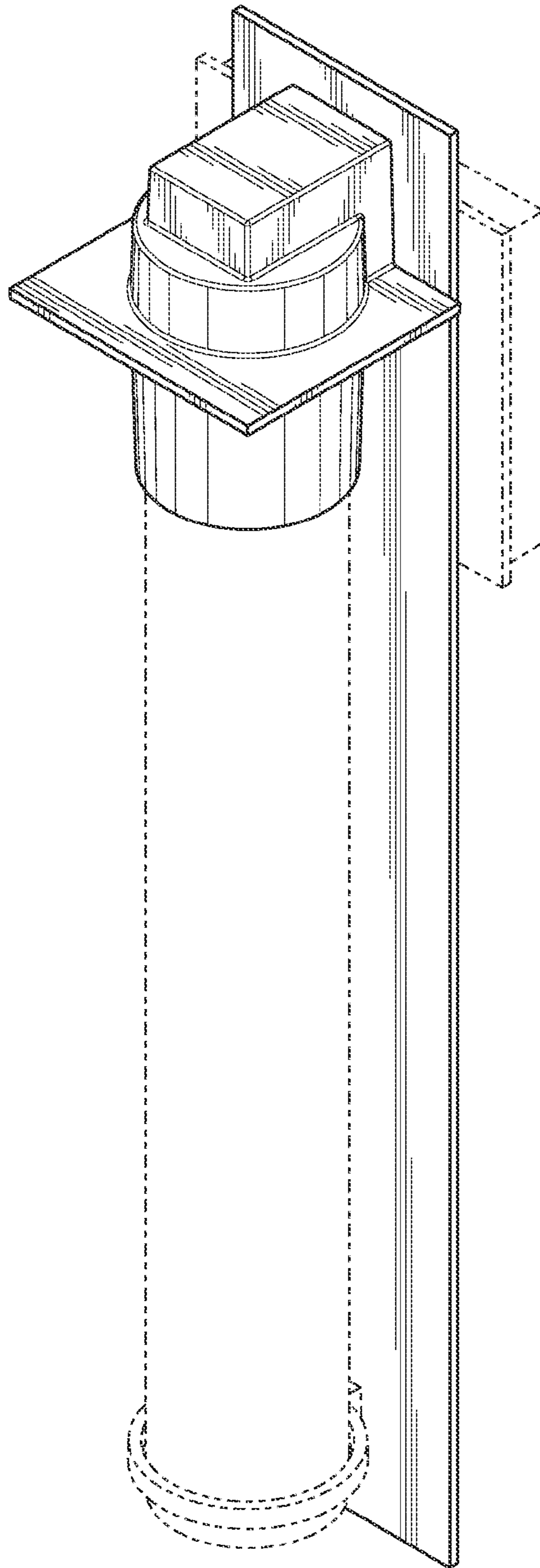


FIG. 1

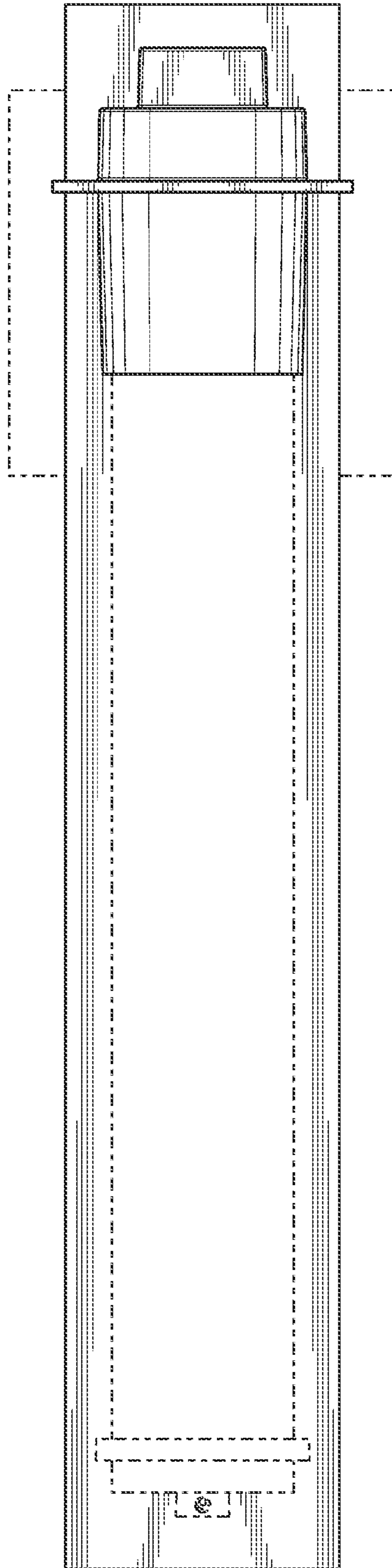


FIG. 2

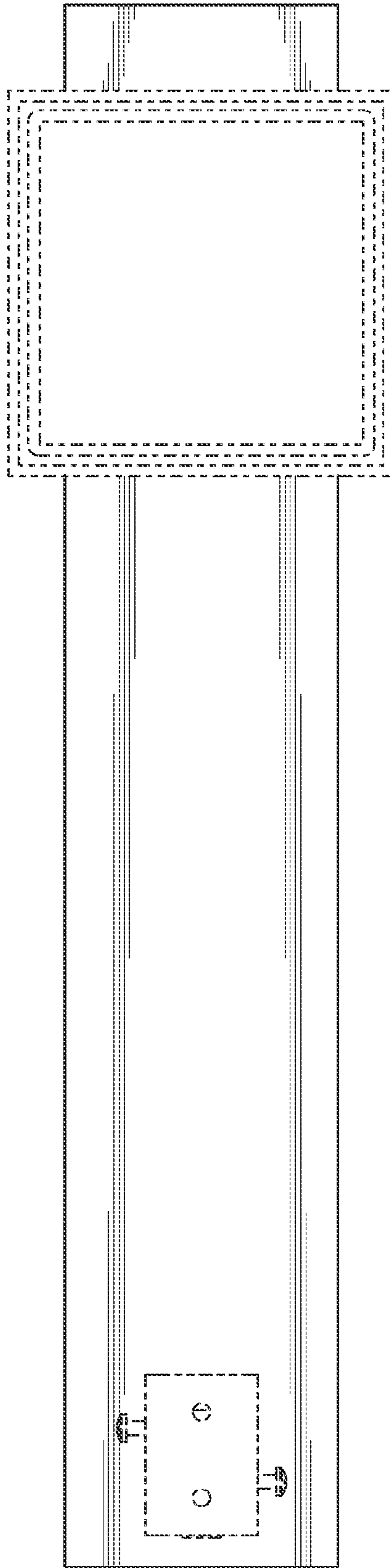


FIG. 3

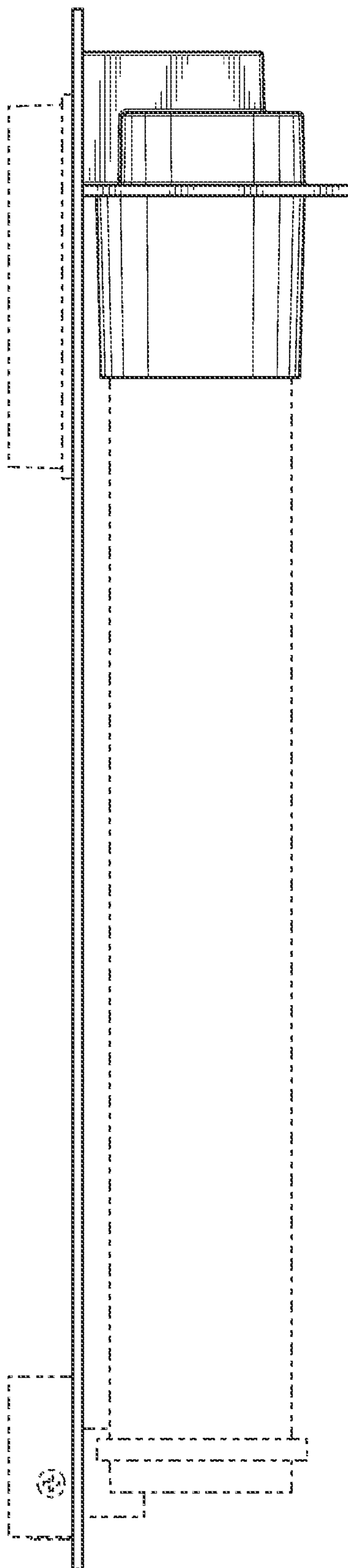


FIG. 4

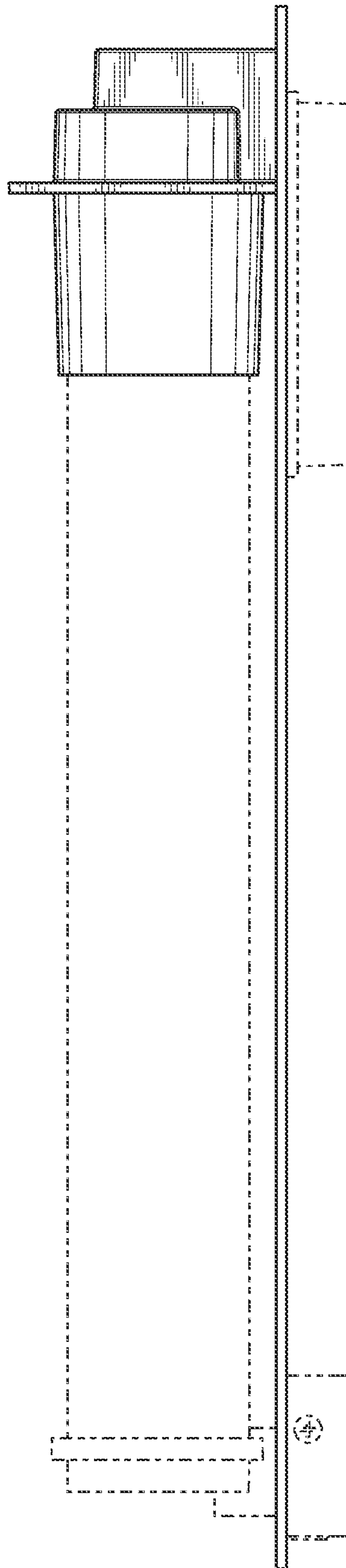


FIG. 5

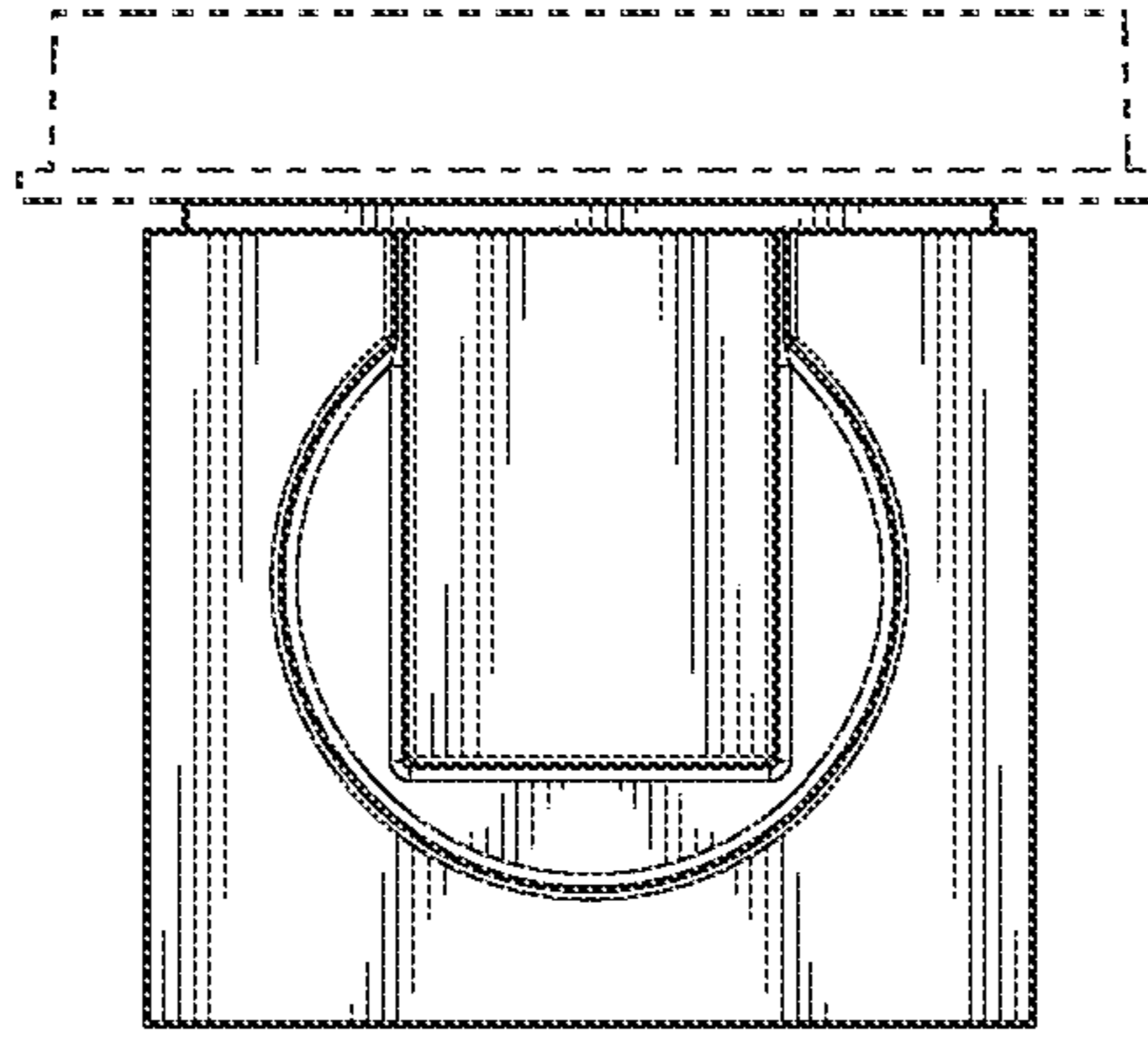


FIG. 6

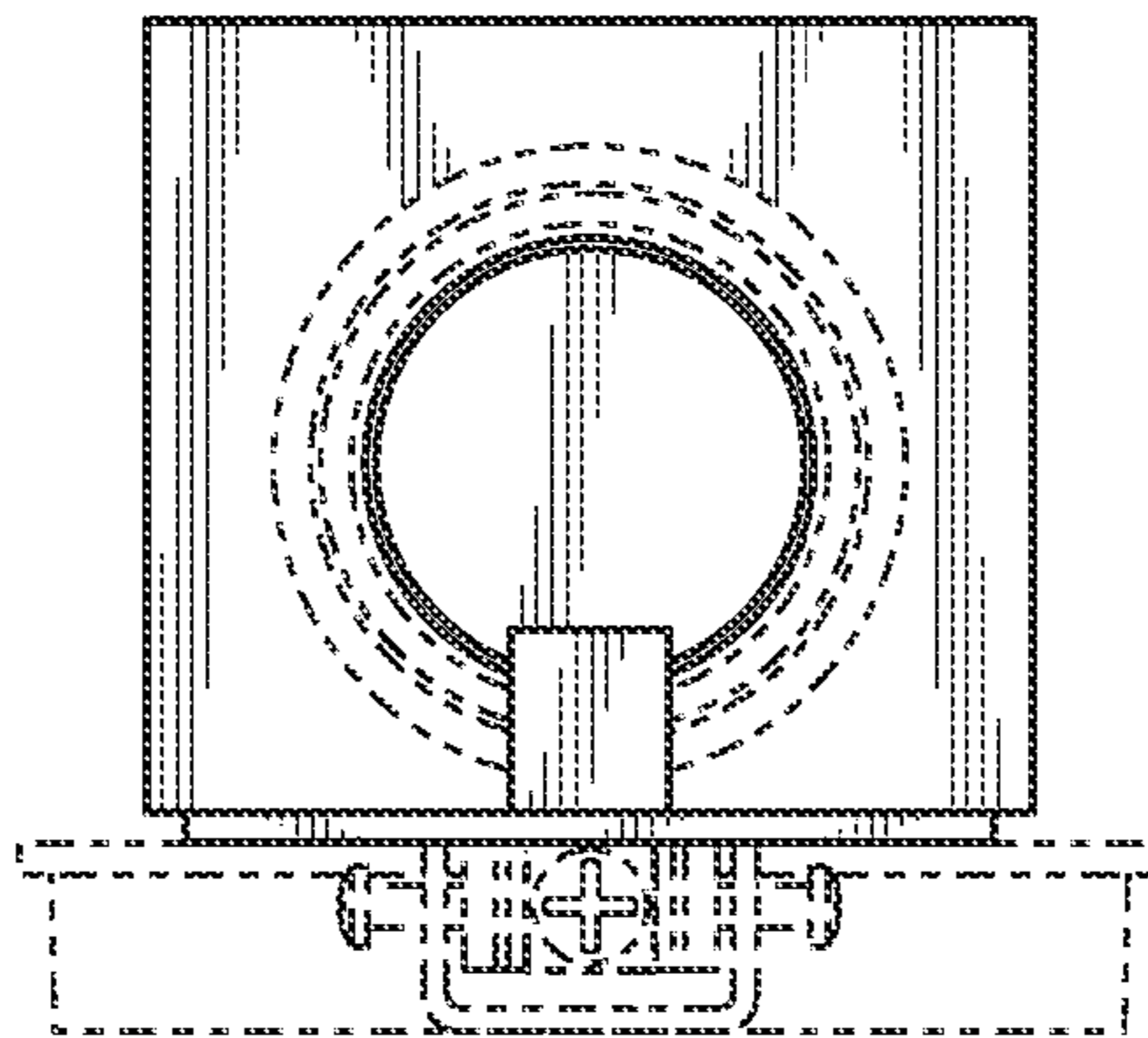


FIG. 7