



US00D608488S

(12) **United States Design Patent**  
**Miranda**

(10) **Patent No.:** **US D608,488 S**  
(45) **Date of Patent:** **\*\* Jan. 19, 2010**

(54) **WALL LIGHTING FIXTURE**

D518,911 S \* 4/2006 Lee ..... D26/86

(76) **Inventor:** **Pasquale Miranda**, 63-2nd St., Garden City, NY (US) 11530

**OTHER PUBLICATIONS**

“Blocs” wall sconce model #E22033-18 shown on p. 191 of the ET2 Lighting 2007 catalog. © 2006.\*

(\*\*) **Term:** **14 Years**

\* cited by examiner

(21) **Appl. No.:** **29/315,220**

*Primary Examiner*—Clare E Heflin

(22) **Filed:** **Jun. 5, 2009**

(57) **CLAIM**

(51) **LOC (9) Cl.** ..... **26-03**

The ornamental design for a wall lighting fixture, as shown and described.

(52) **U.S. Cl.** ..... **D26/87; D26/86**

(58) **Field of Classification Search** ..... D26/72, D26/85, 86, 87, 92; 362/147, 432

See application file for complete search history.

**DESCRIPTION**

(56) **References Cited**

FIG. 1 is a perspective view of a wall lighting fixture showing my new design;

**U.S. PATENT DOCUMENTS**

FIG. 2 is a front elevational view thereof;

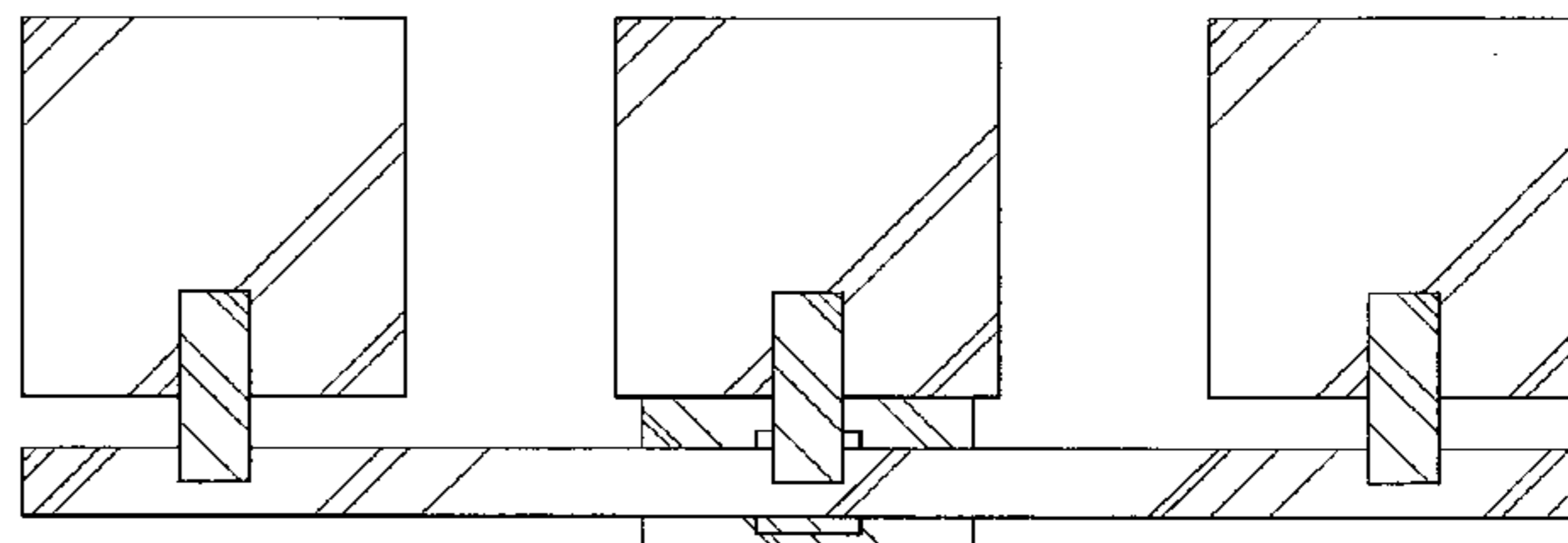
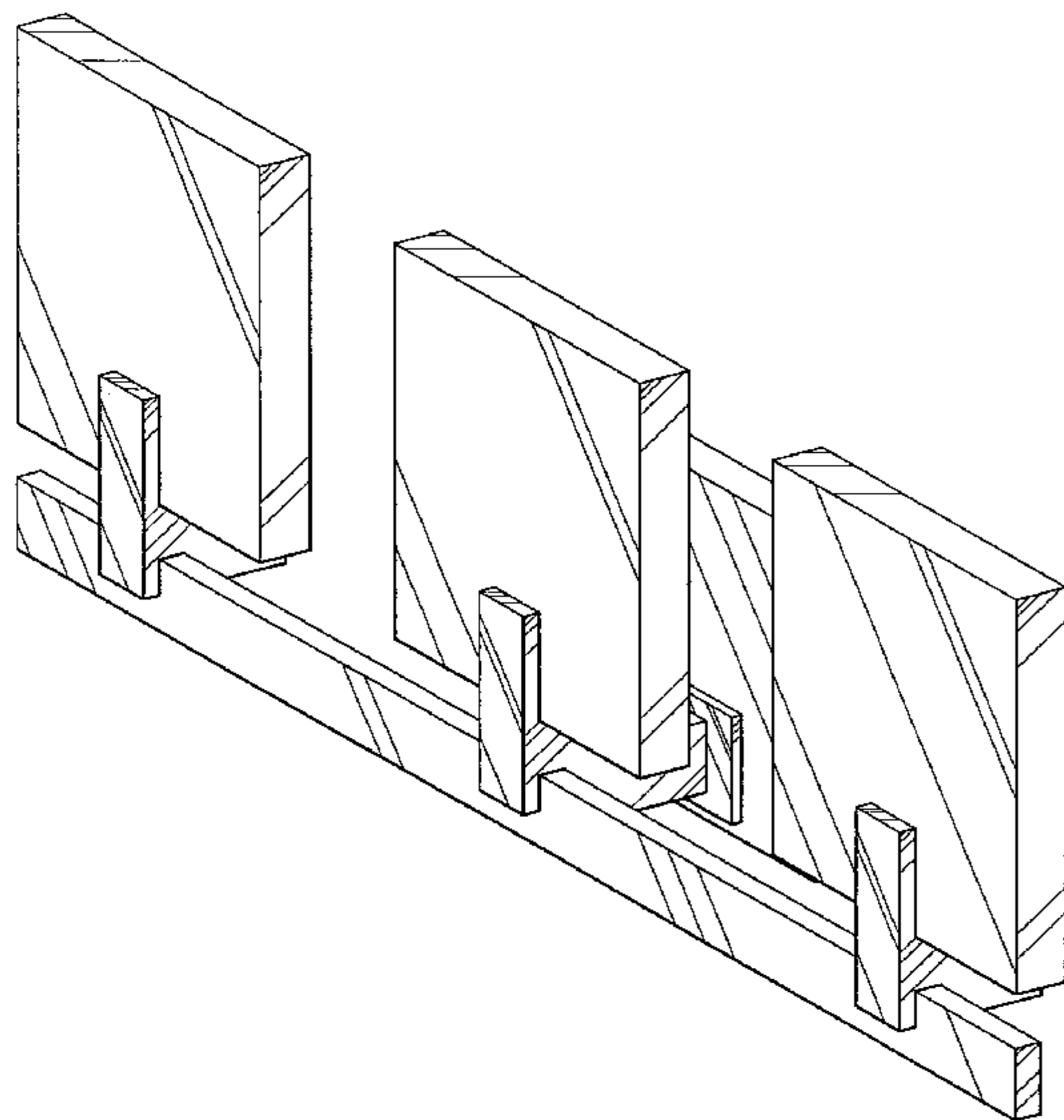
D303,849 S	*	10/1989	Nugent	.....	D26/85
D402,390 S	*	12/1998	Smedley et al.	.....	D26/87
D415,305 S	*	10/1999	Putman	.....	D26/87
D430,327 S	*	8/2000	Rockwell et al.	.....	D26/87
D448,881 S	*	10/2001	Lin	.....	D26/87
D473,001 S	*	4/2003	Hoernig	.....	D26/80
D473,675 S	*	4/2003	Lee	.....	D26/87
D501,060 S	*	1/2005	Lee	.....	D26/86
D501,270 S	*	1/2005	Lee	.....	D26/86

FIG. 3 is a top plan view thereof; and,

FIG. 4 is a side elevational view thereof, the opposite elevational view being a mirror image.

The broken-line showing of environmental structures in FIG. 3-4 is for illustrative purposes only and forms no part of the claimed design.

**1 Claim, 3 Drawing Sheets**



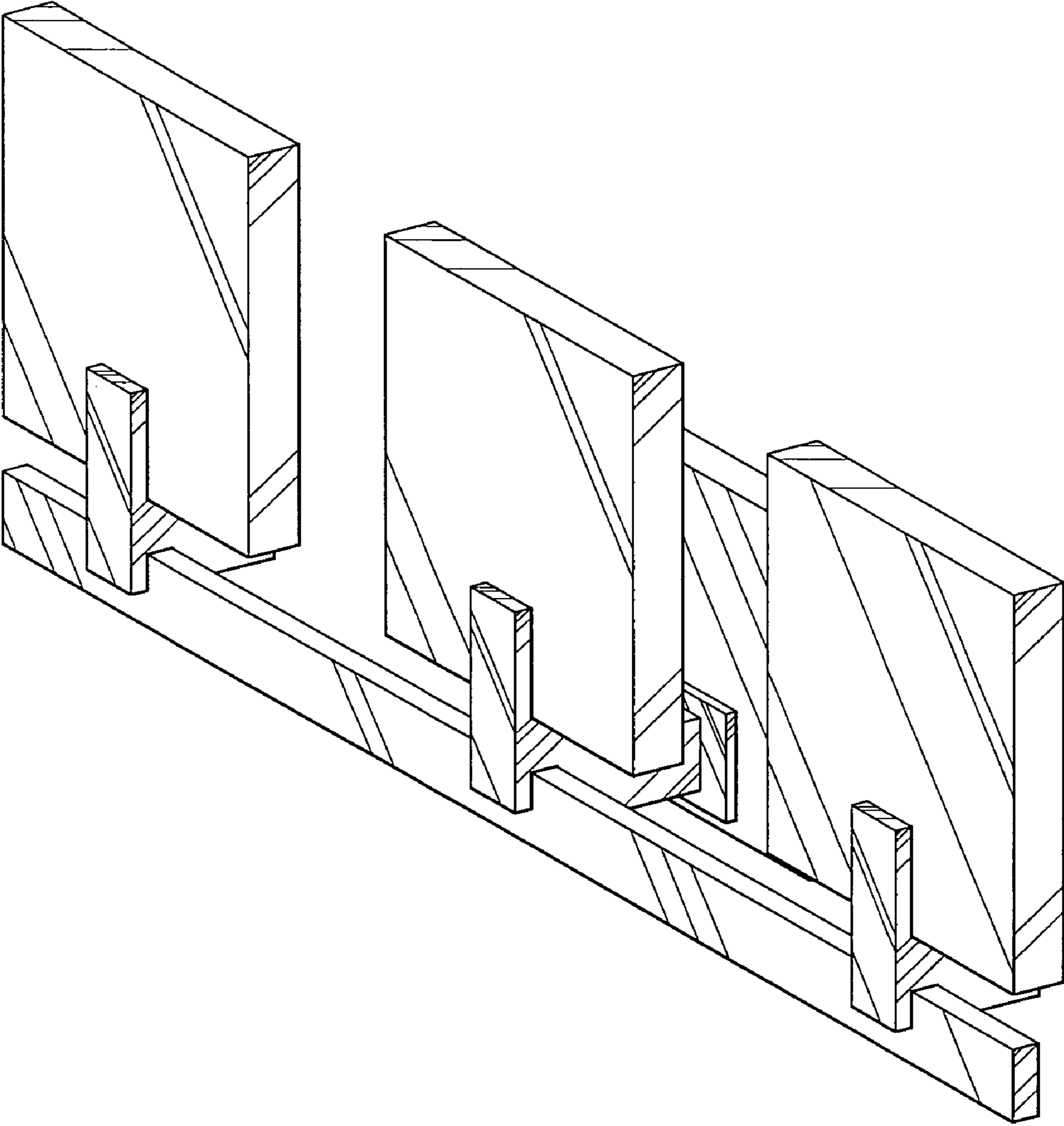


FIG. 1

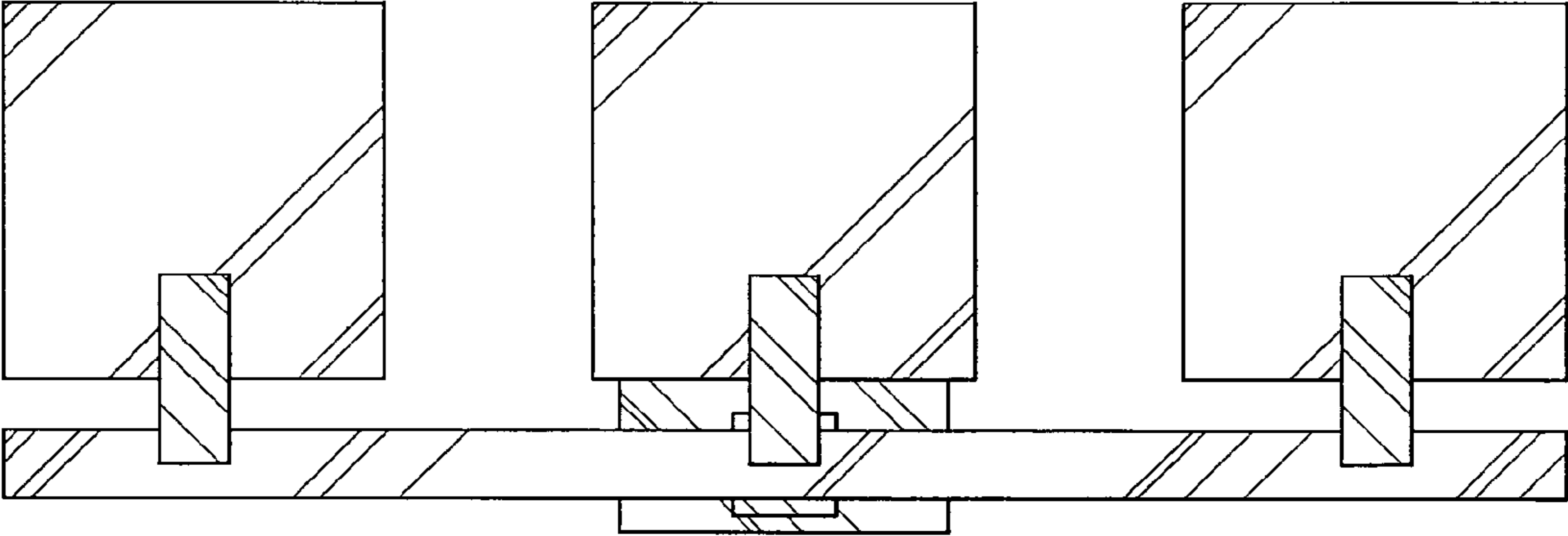


FIG. 2

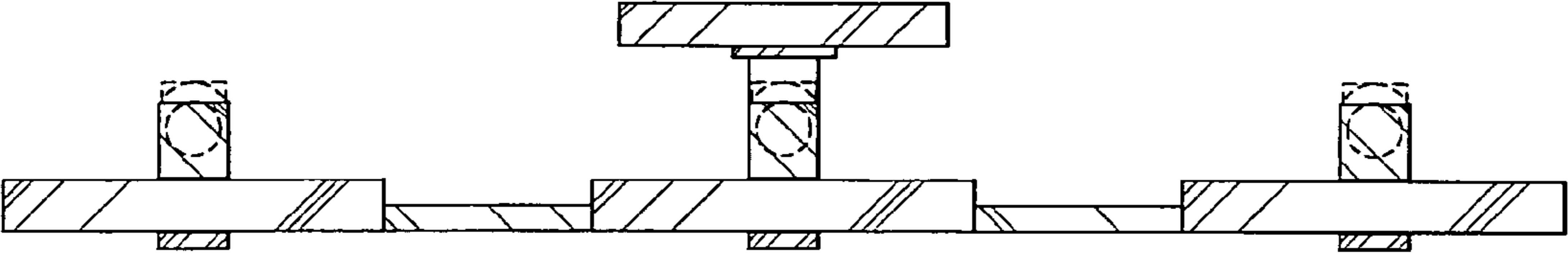


FIG. 3

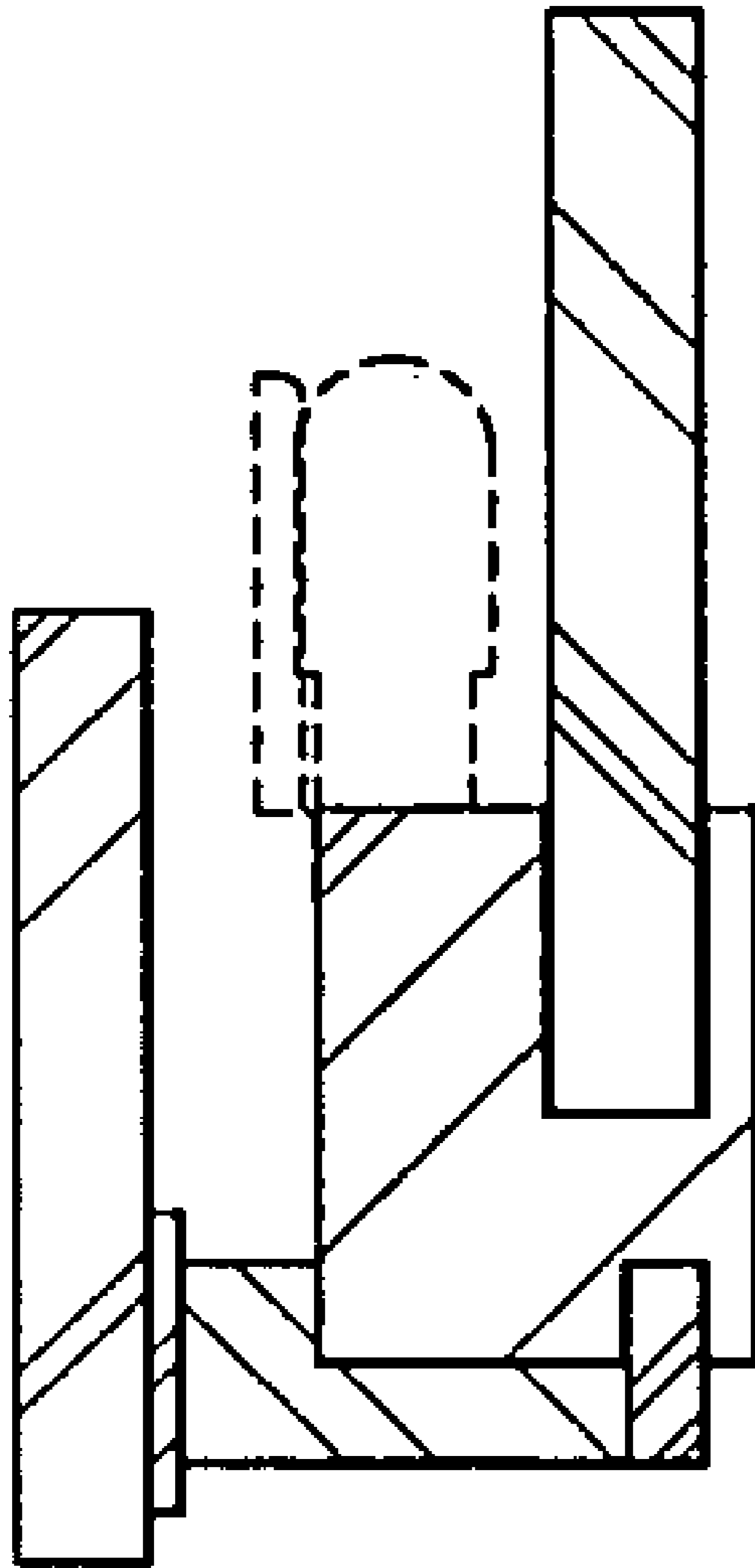


FIG. 4