



US00D608487S

(12) **United States Design Patent**  
**Pei et al.**

(10) **Patent No.:** **US D608,487 S**  
(45) **Date of Patent:** **\*\* Jan. 19, 2010**

(54) **LAMP**

(75) Inventors: **Chien-Chang Pei**, Taipei (TW);  
**Hsi-Chuan Hsu**, Taipei (TW); **Yi-Hung Chen**, Taipei (TW); **Ying-Chu Lin**, Taipei (TW); **Chia-Hao Liang**, Taipei (TW); **Chao-Sheng Dong**, Taipei (TW)

(73) Assignee: **Everlight Electronics Co., Ltd.**, Taipei (TW)

(\*\*) Term: **14 Years**

(21) Appl. No.: **29/334,657**

(22) Filed: **Mar. 31, 2009**

**Related U.S. Application Data**

(63) Continuation-in-part of application No. 29/318,695, filed on May 26, 2008.

(51) **LOC (9) Cl.** ..... **26-03**

(52) **U.S. Cl.** ..... **D26/76**

(58) **Field of Classification Search** ..... D26/61,  
D26/72, 74-79; 362/217-225, 260-263,  
362/283, 337, 347, 364; 439/225, 232-234,  
439/239-241

See application file for complete search history.

(56) **References Cited**

**U.S. PATENT DOCUMENTS**

D106,873 S *	11/1937	Stewart	.....	D26/24
D136,797 S *	12/1943	Mareck	.....	D26/76
D150,830 S *	9/1948	Duepner	.....	D26/77
4,644,454 A *	2/1987	Herst et al.	.....	362/224
D312,319 S *	11/1990	Kunz	.....	D26/72
D337,845 S *	7/1993	Belic	.....	D26/76
D348,947 S *	7/1994	Holcomb	.....	D26/76
D373,000 S *	8/1996	Brady	.....	D26/68
5,624,178 A *	4/1997	Lee, Jr.	.....	362/220

5,735,595 A *	4/1998	Nederpel et al.	.....	362/223
D396,122 S *	7/1998	Noh	.....	D26/76
D476,102 S *	6/2003	Ciavolino	.....	D26/37
D520,667 S *	5/2006	Jae-Sung et al.	.....	D26/76
D556,359 S *	11/2007	Cunius	.....	D26/76
D563,002 S *	2/2008	Irizarry	.....	D26/37
D569,025 S *	5/2008	Hakamada	.....	D26/74
D569,027 S *	5/2008	Hakamada	.....	D26/76
D570,529 S *	6/2008	Chandler	.....	D26/93

**FOREIGN PATENT DOCUMENTS**

JP D1294453 2/2007

\* cited by examiner

*Primary Examiner*—Robert M Spear  
*Assistant Examiner*—Susan E Krakower  
(74) *Attorney, Agent, or Firm*—Jianq Chyun IP Office

(57) **CLAIM**

The ornamental design for a lamp, as shown and described.

**DESCRIPTION**

FIG. 1 is a perspective view of a lamp illustrating our new design.

FIG. 2 is another perspective view thereof.

FIG. 3 is a front view thereof.

FIG. 4 is a rear view thereof.

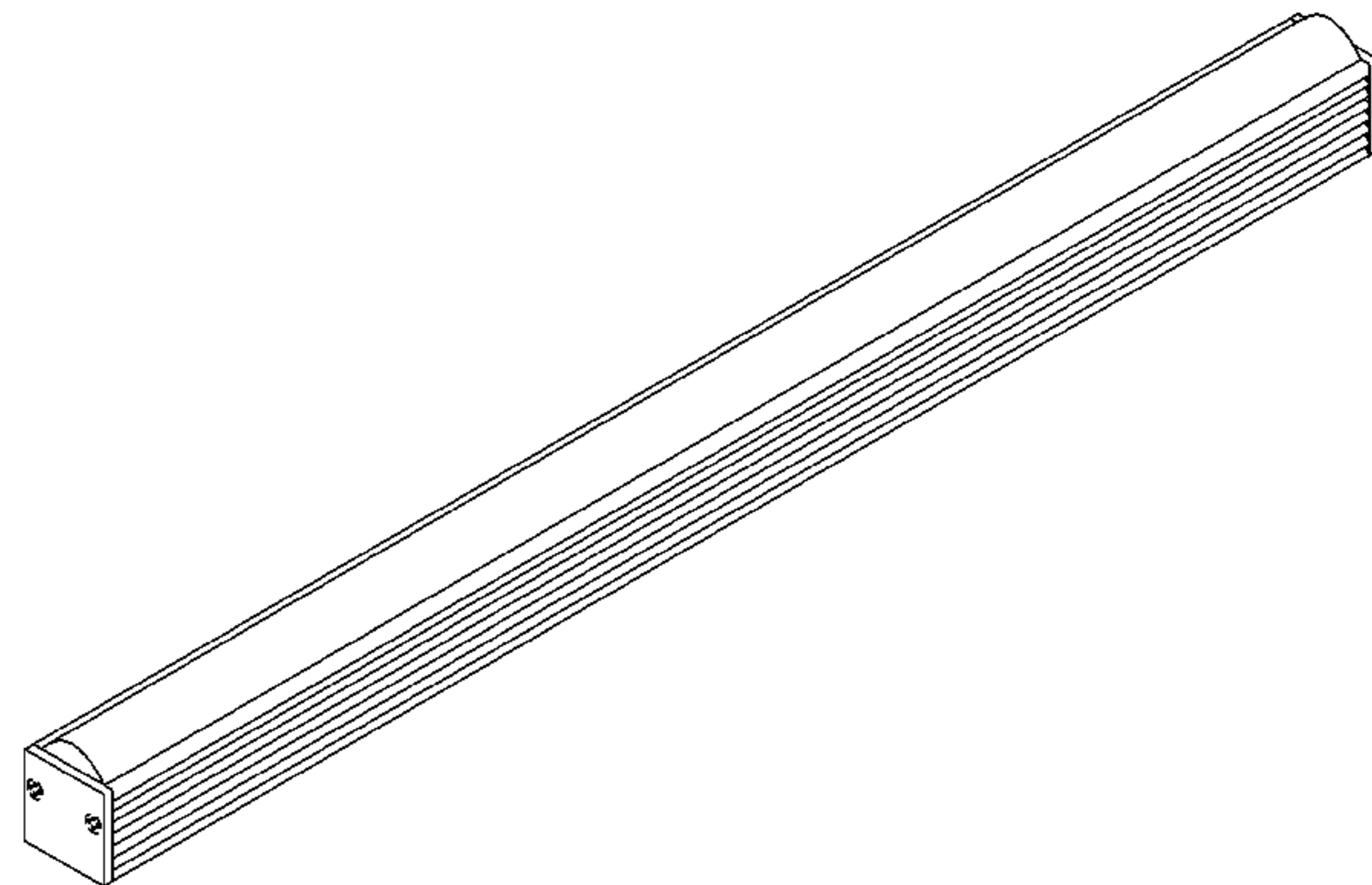
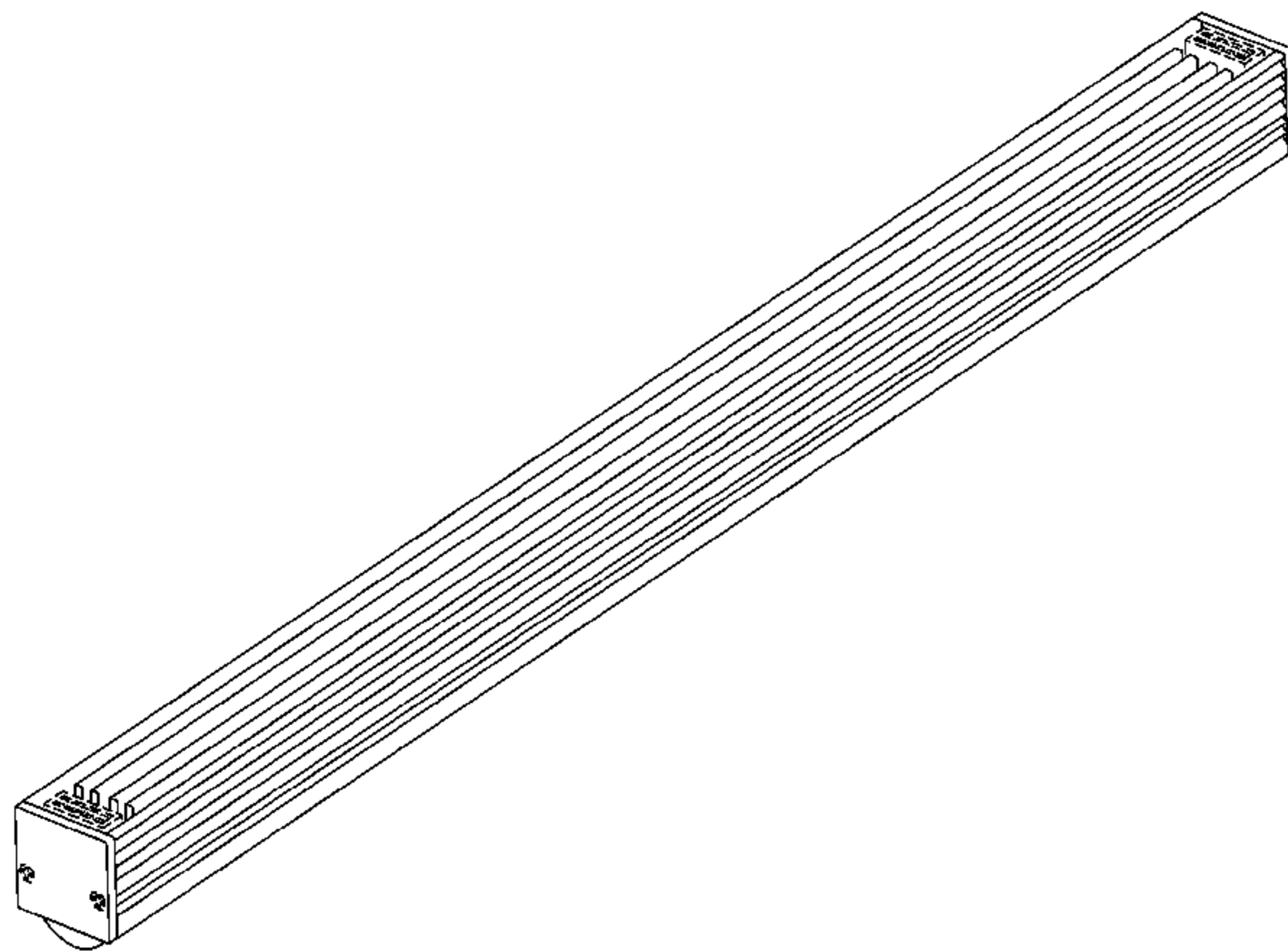
FIG. 5 is a left side view thereof, the right side view being a mirror image of the left side view.

FIG. 6 is an enlarged top view thereof, the bottom view being a mirror image of the top view; and,

FIG. 7 is an enlarged cross-sectional view taken along line 7—7 in FIG. 3.

The broken lines illustrate portions of the lamp which form no part of the claimed design.

**1 Claim, 4 Drawing Sheets**



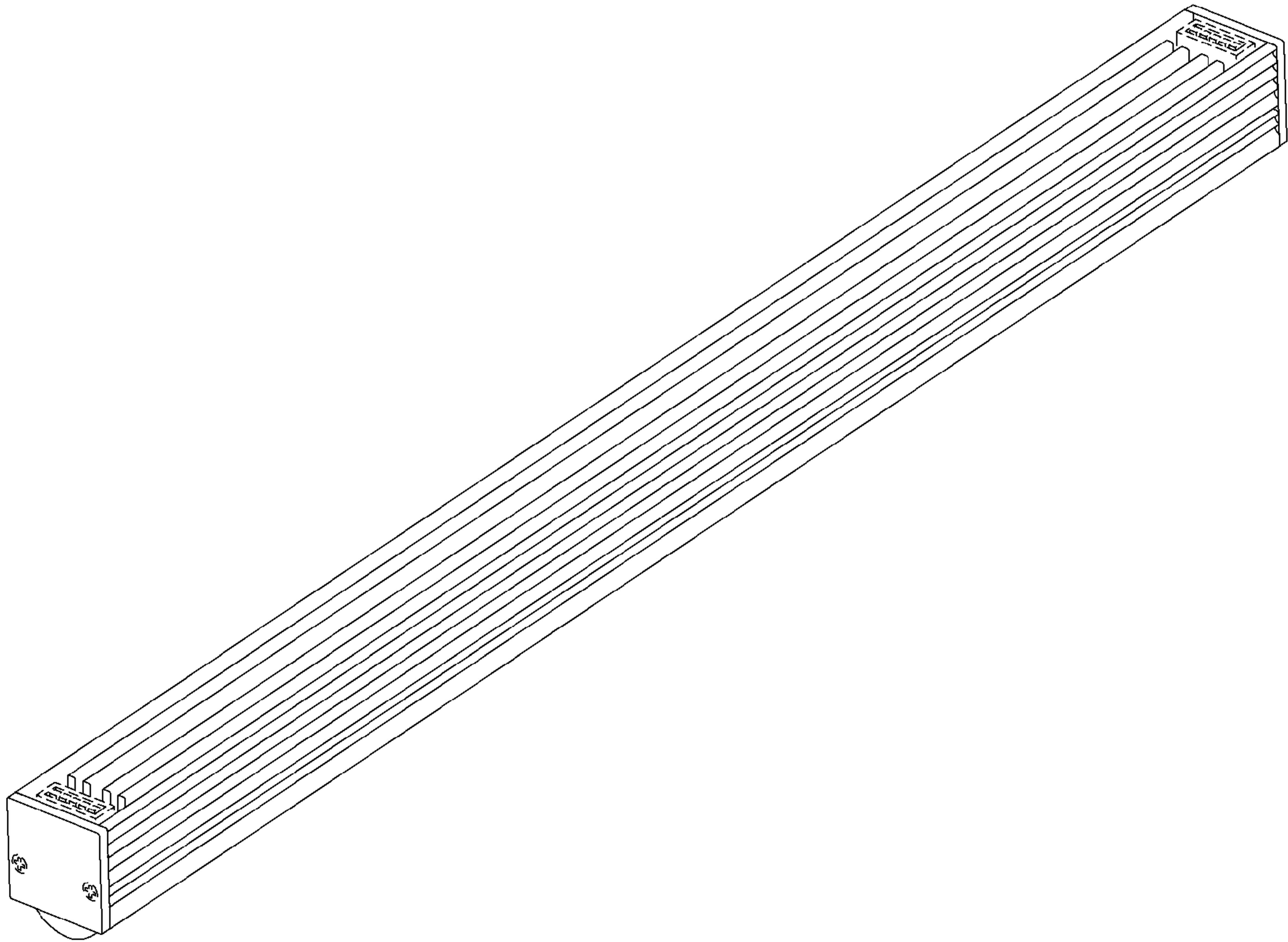


FIG. 1

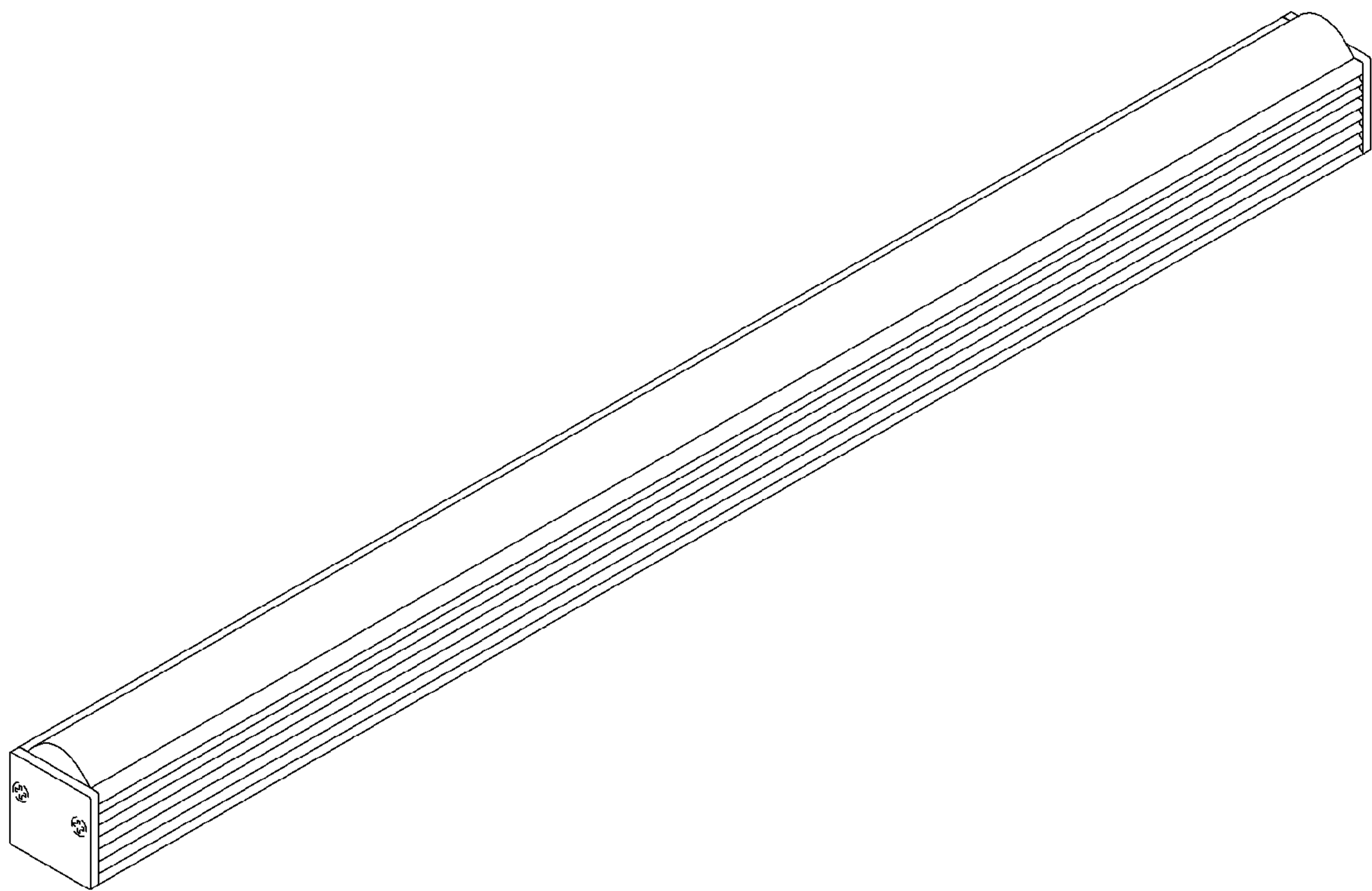


FIG. 2

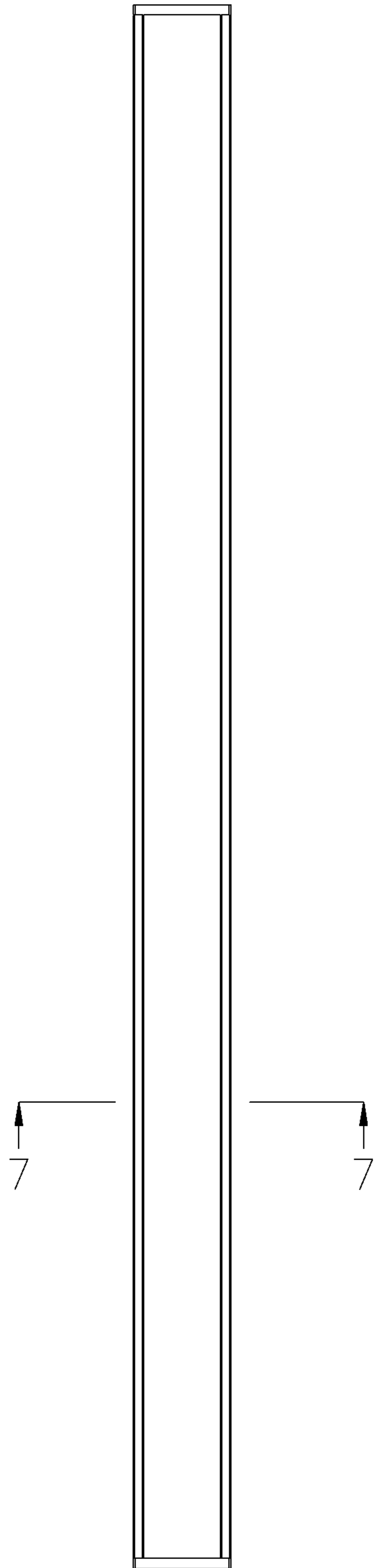


FIG. 3

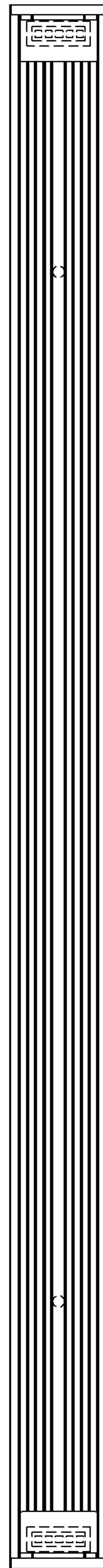


FIG. 4

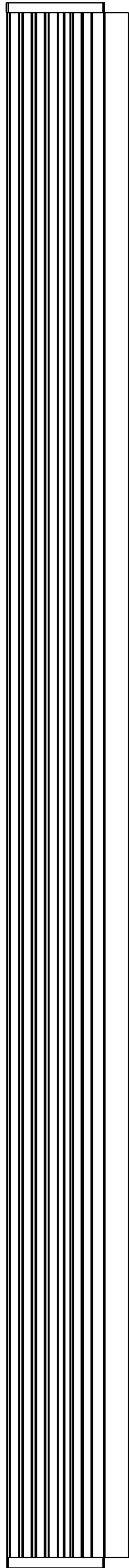


FIG. 5

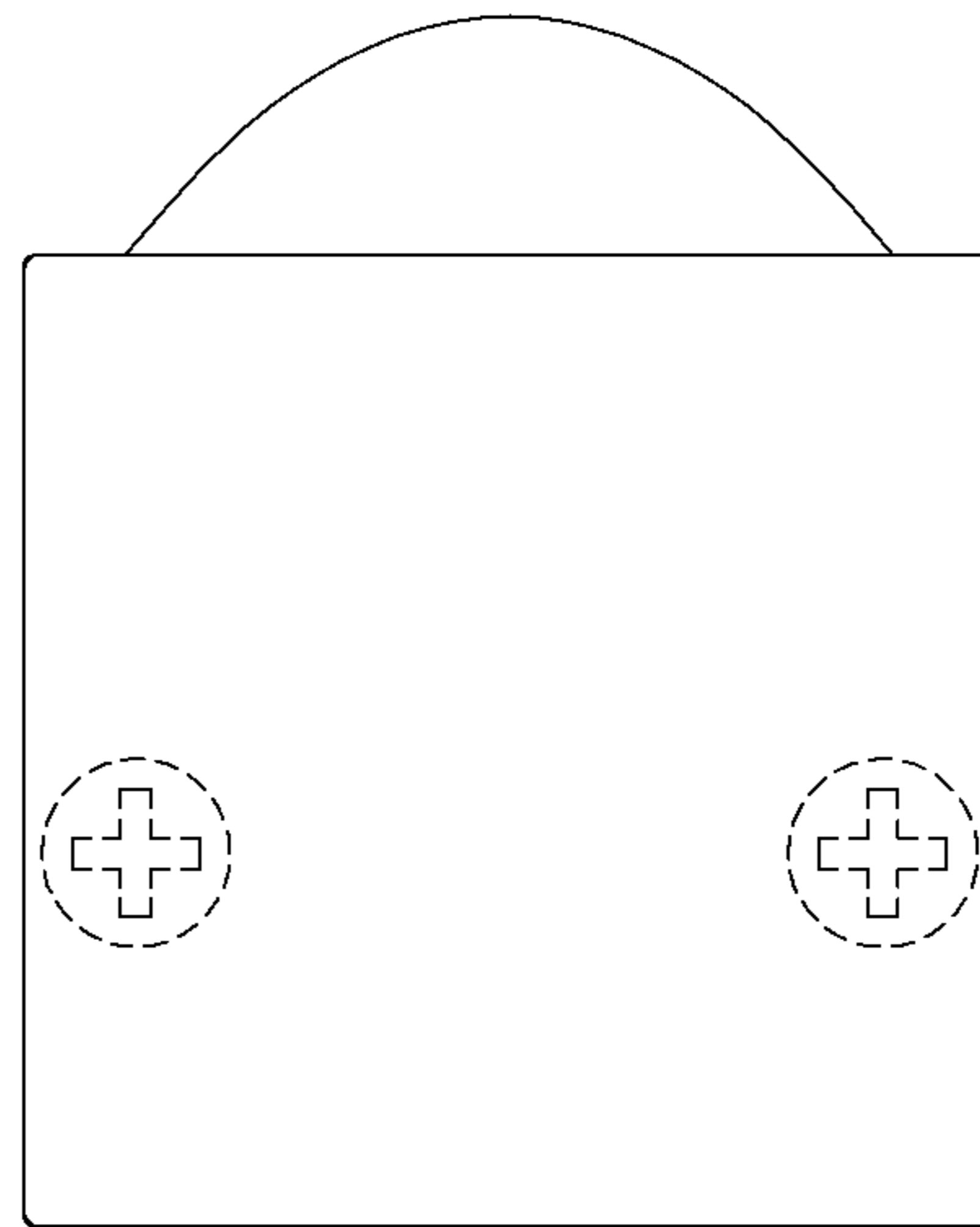


FIG. 6

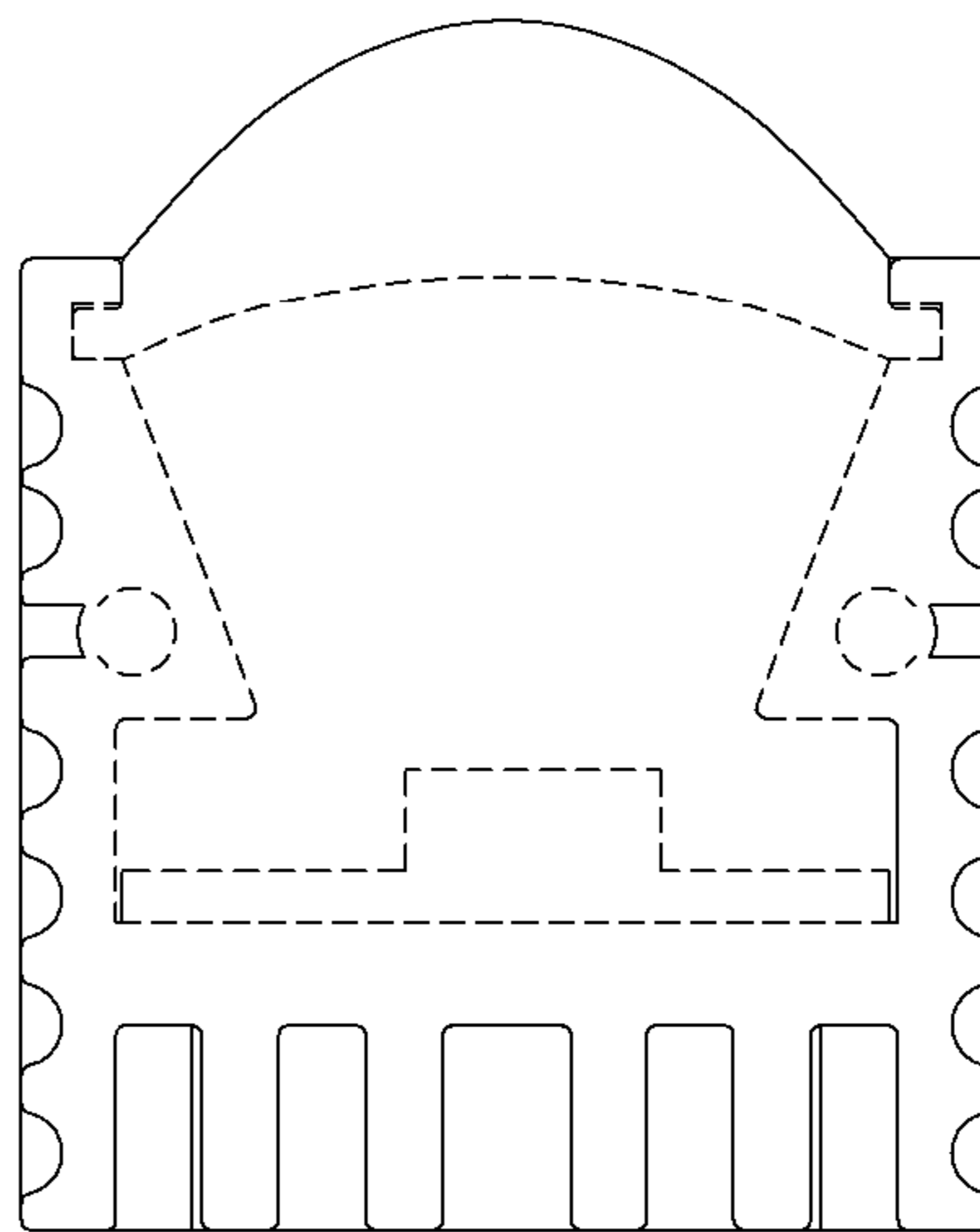


FIG. 7