



US00D608485S

(12) **United States Design Patent**
Liao et al.

(10) **Patent No.:** **US D608,485 S**
(45) **Date of Patent:** **** Jan. 19, 2010**

(54) **BICYCLE LIGHT**

(76) Inventors: **Su-Chang Liao**, 1Fl., No. 18, Lung Hsin 1 Alley, Fu Hsiao Lane, Hsi Tun District, Taichung City (TW) 40743; **Di-Shun Liao**, 1Fl., No. 18, Lung Hsin 1 Alley, Fu Hsiao Lane, Hsi Tun District, Taichung City (TW) 40743

(**) Term: **14 Years**

(21) Appl. No.: **29/333,378**

(22) Filed: **Mar. 8, 2009**

(51) **LOC (9) Cl.** **26-05**

(52) **U.S. Cl.** **D26/60**

(58) **Field of Classification Search** D26/28, D26/37, 60; 362/191, 196, 200, 396, 473-476
See application file for complete search history.

(56) **References Cited**

U.S. PATENT DOCUMENTS

2,805,326	A *	9/1957	Schwartz	362/103
D303,158	S *	8/1989	Charet et al.	D26/60
5,690,410	A *	11/1997	Lin	362/473
D407,835	S *	4/1999	Okuda	D26/28
D513,083	S *	12/2005	Okuda et al.	D26/28
D526,079	S *	8/2006	Heun	D26/60
D529,639	S *	10/2006	Okuda	D26/28

D540,481	S *	4/2007	Okuda	D26/28
D560,834	S *	1/2008	Nagano	D26/28
D588,722	S *	3/2009	Cheng	D26/28
2002/0105797	A1 *	8/2002	Navid et al.	362/120
2008/0002416	A1 *	1/2008	Liaw et al.	362/473

* cited by examiner

Primary Examiner—Clare E Heflin

(57) **CLAIM**

The ornamental design for a bicycle light, as shown (and described).

DESCRIPTION

FIG. 1 is a perspective view of a bicycle light showing my new design;

FIG. 2 is a front elevational view thereof;

FIG. 3 is a rear elevational view thereof;

FIG. 4 is a top plan view thereof;

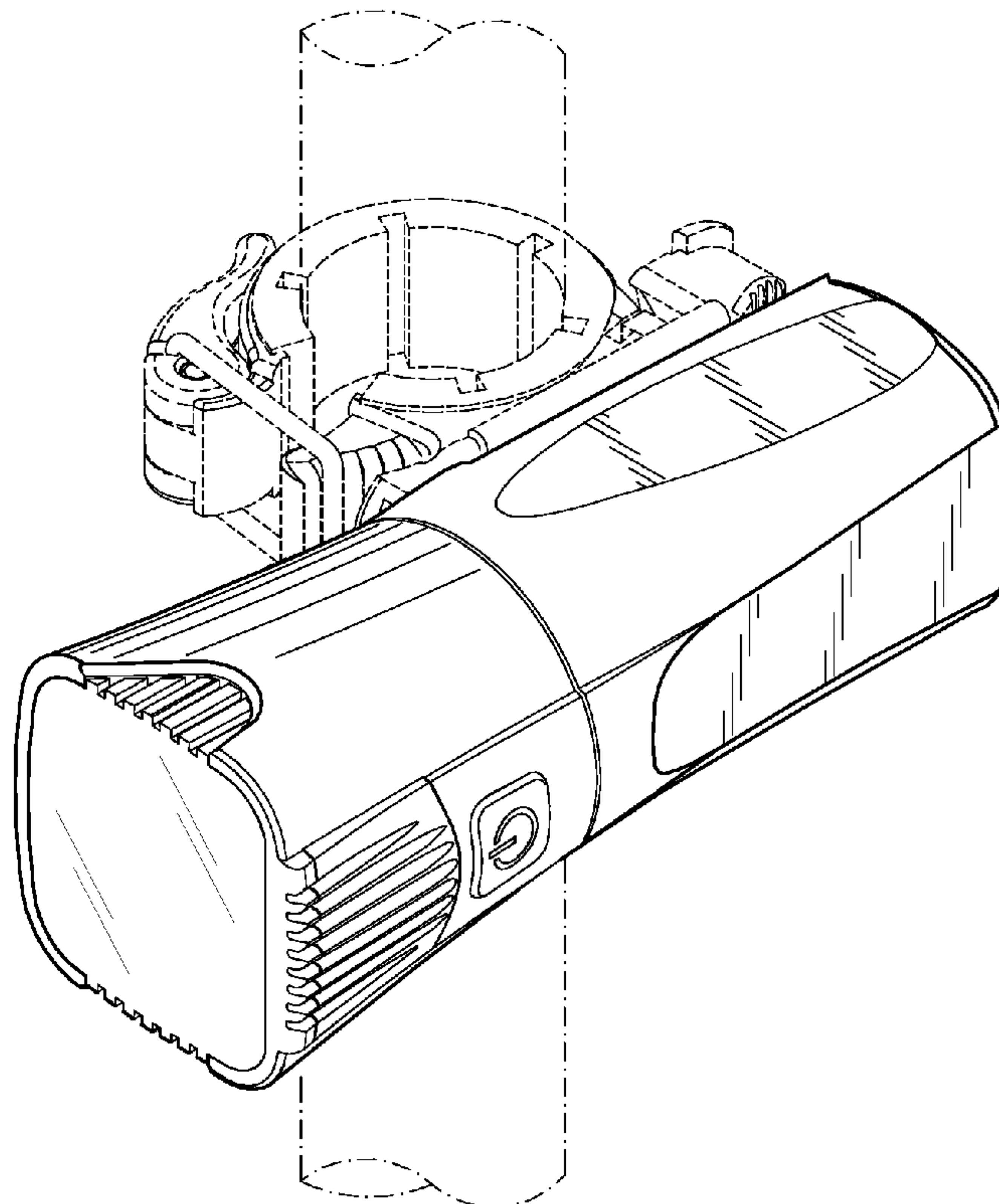
FIG. 5 is a bottom plan view thereof;

FIG. 6 is a left side view thereof;

FIG. 7 is a right side view thereof; and,

FIG. 8 is a view showing the application thereof, wherein the broken line portion is for illustrative purpose only and forms no part of the claimed design.

1 Claim, 5 Drawing Sheets



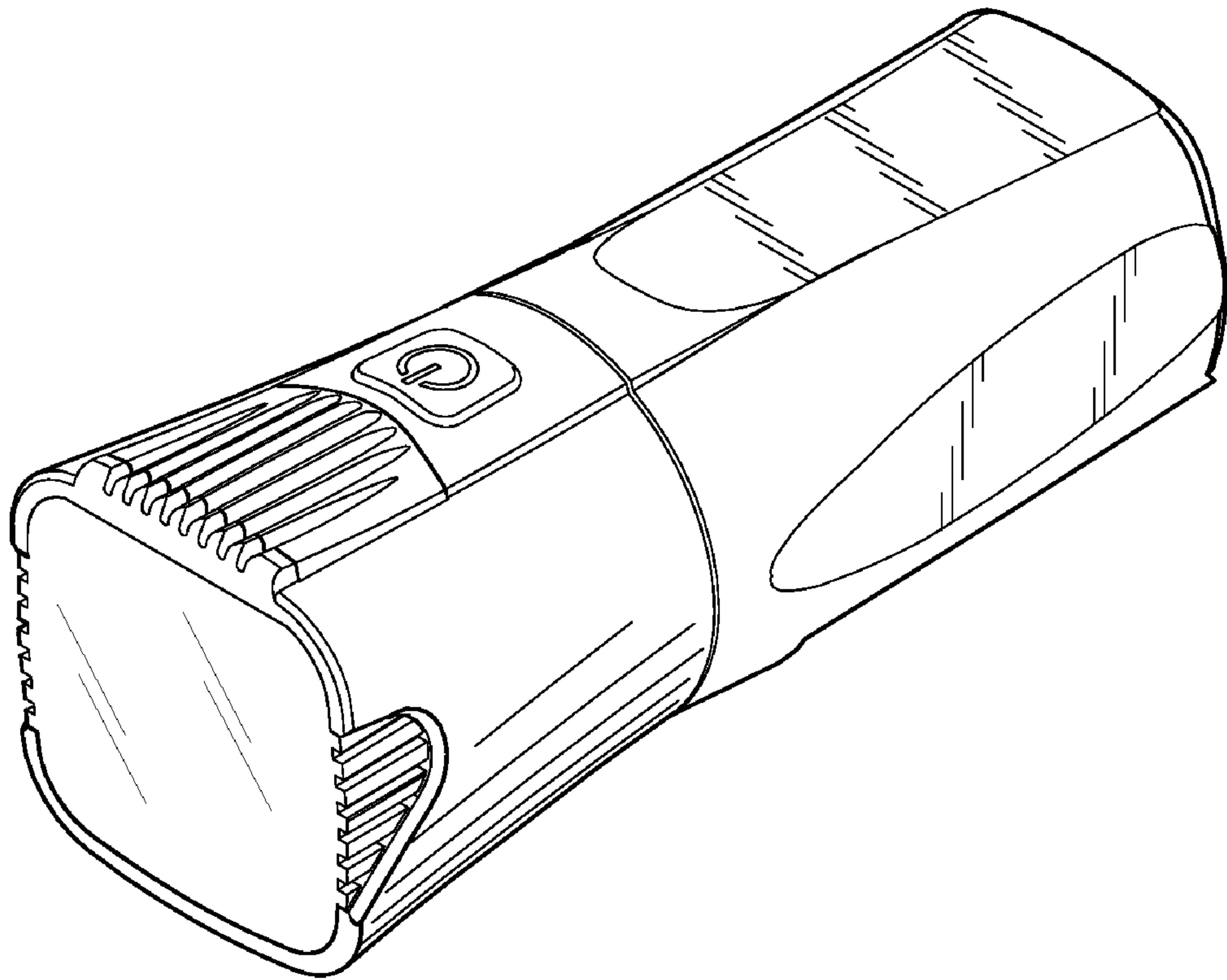


FIG. 1

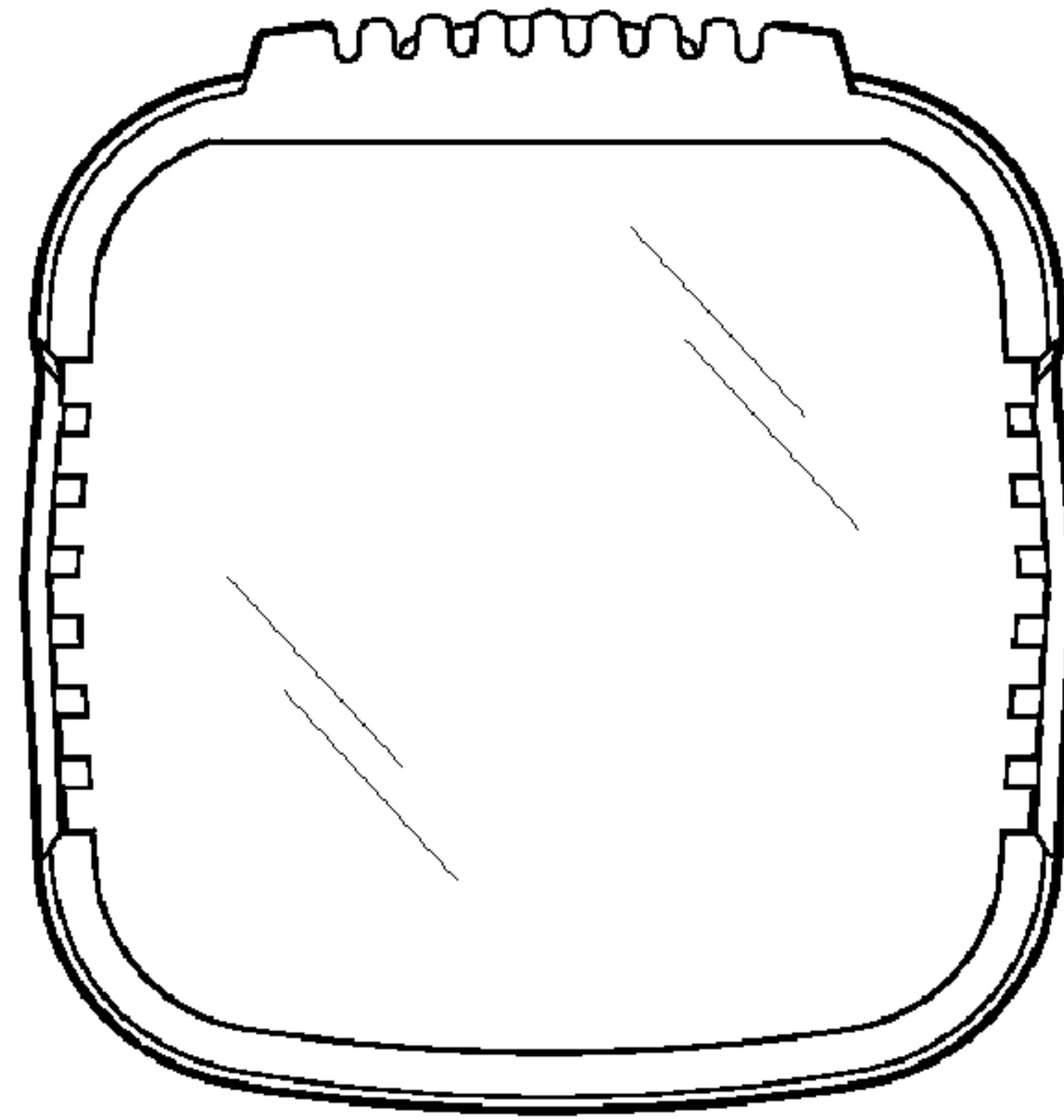


FIG. 2

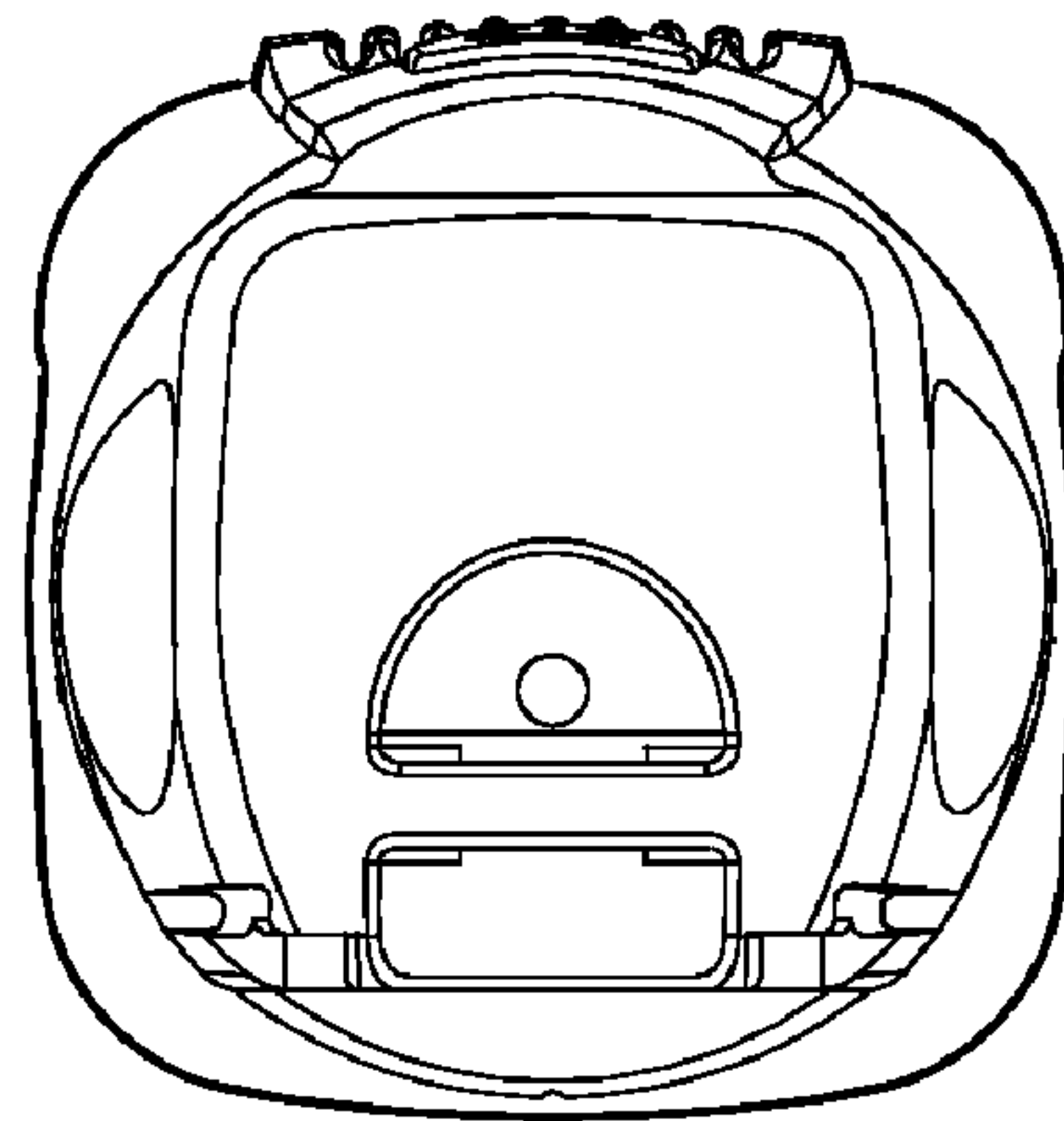


FIG. 3

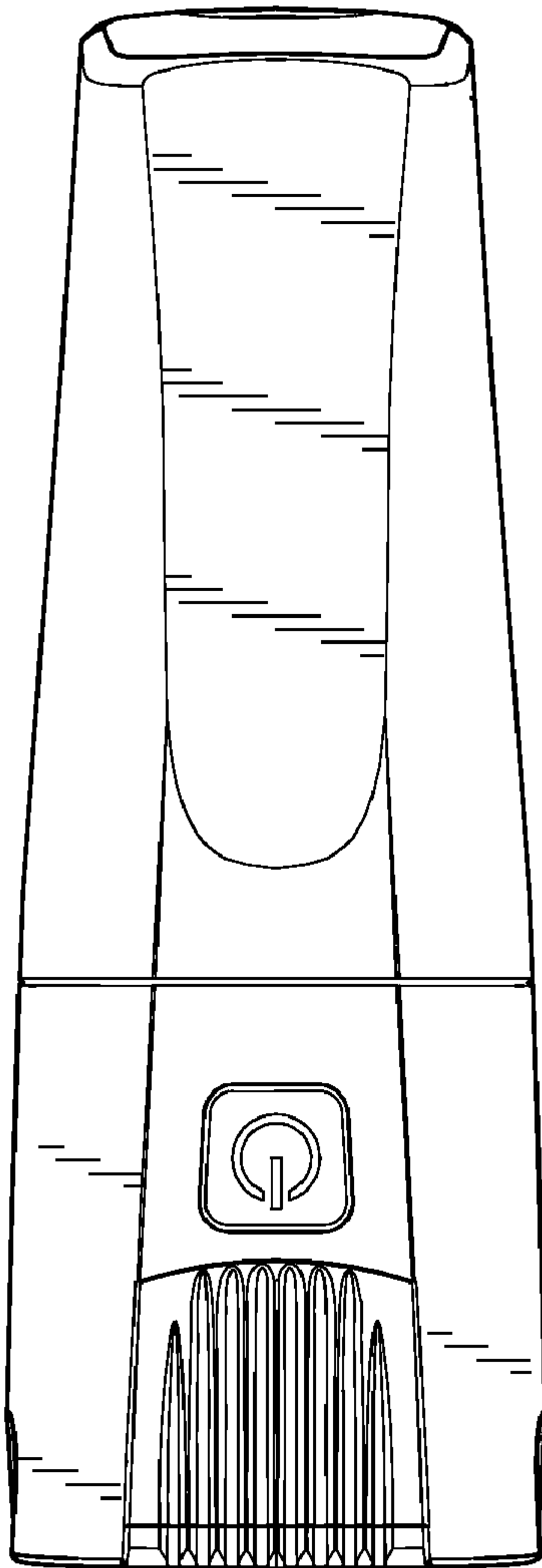


FIG. 4

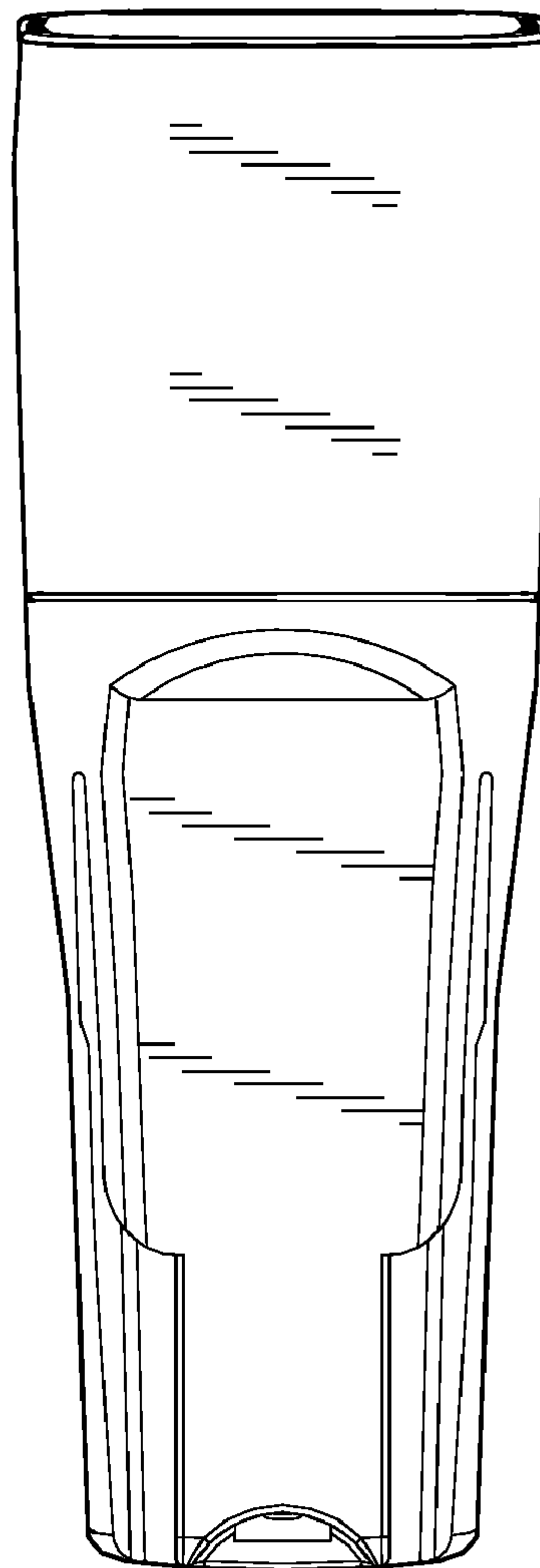


FIG. 5

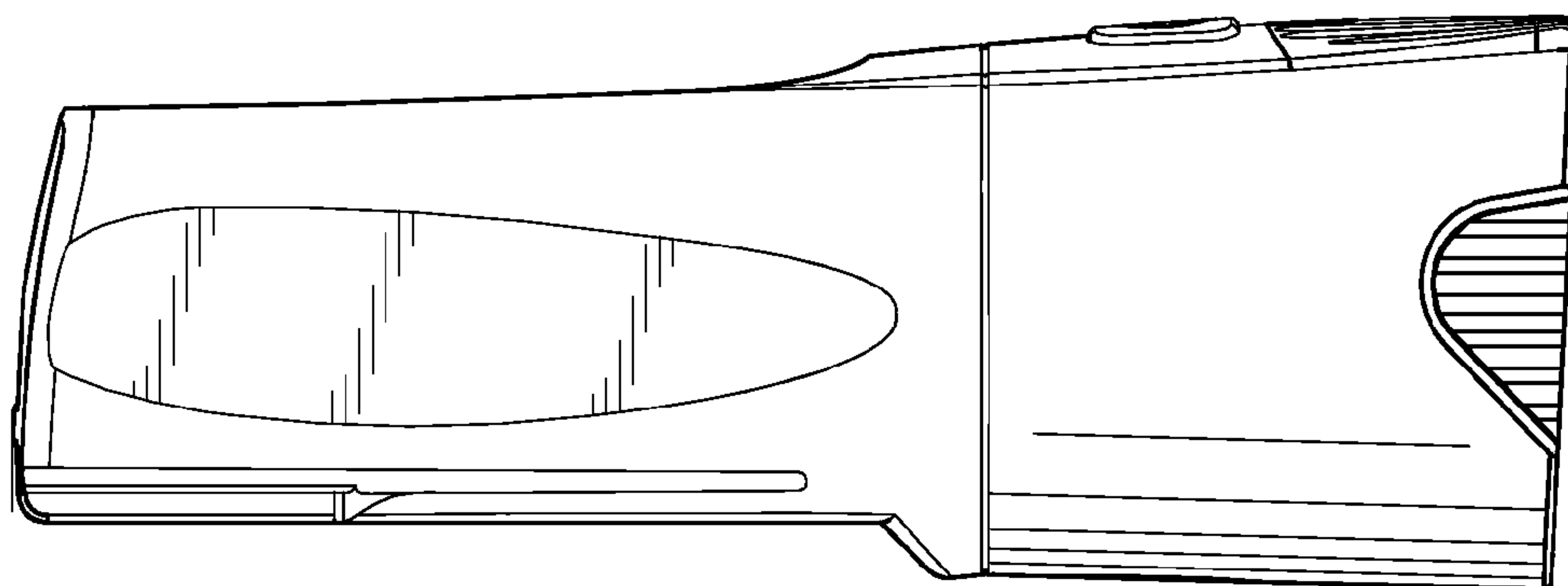


FIG. 6

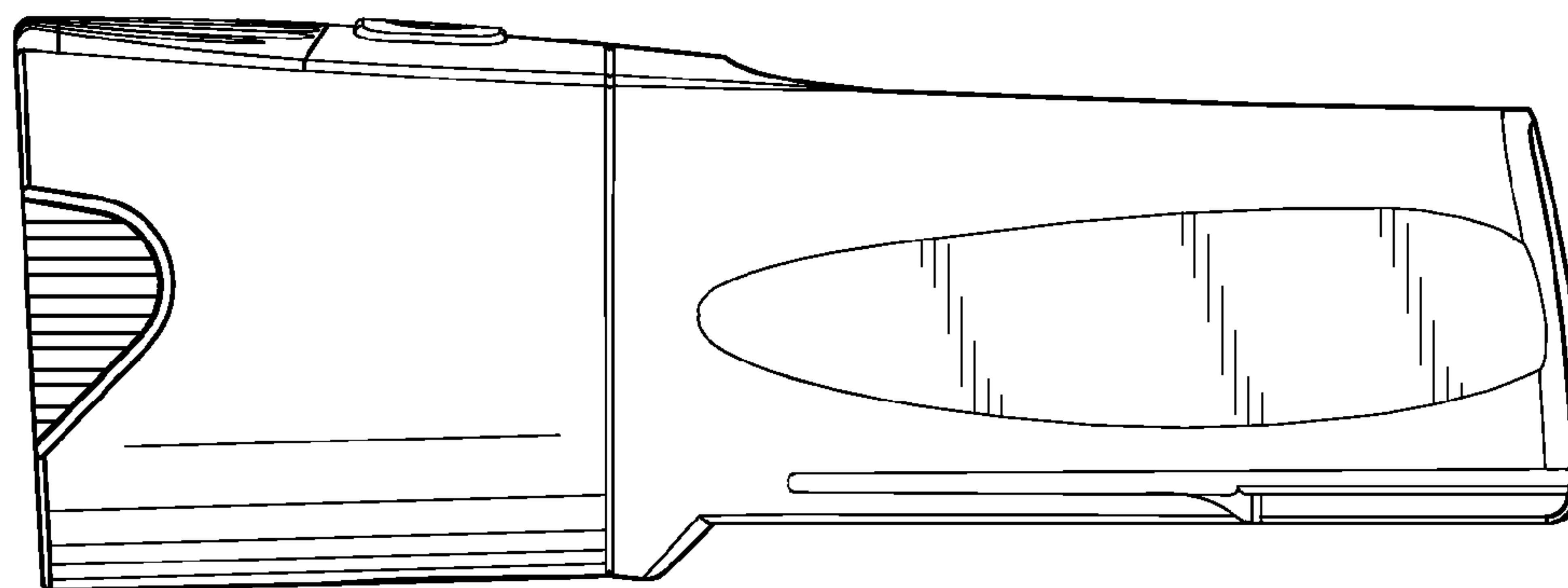


FIG. 7

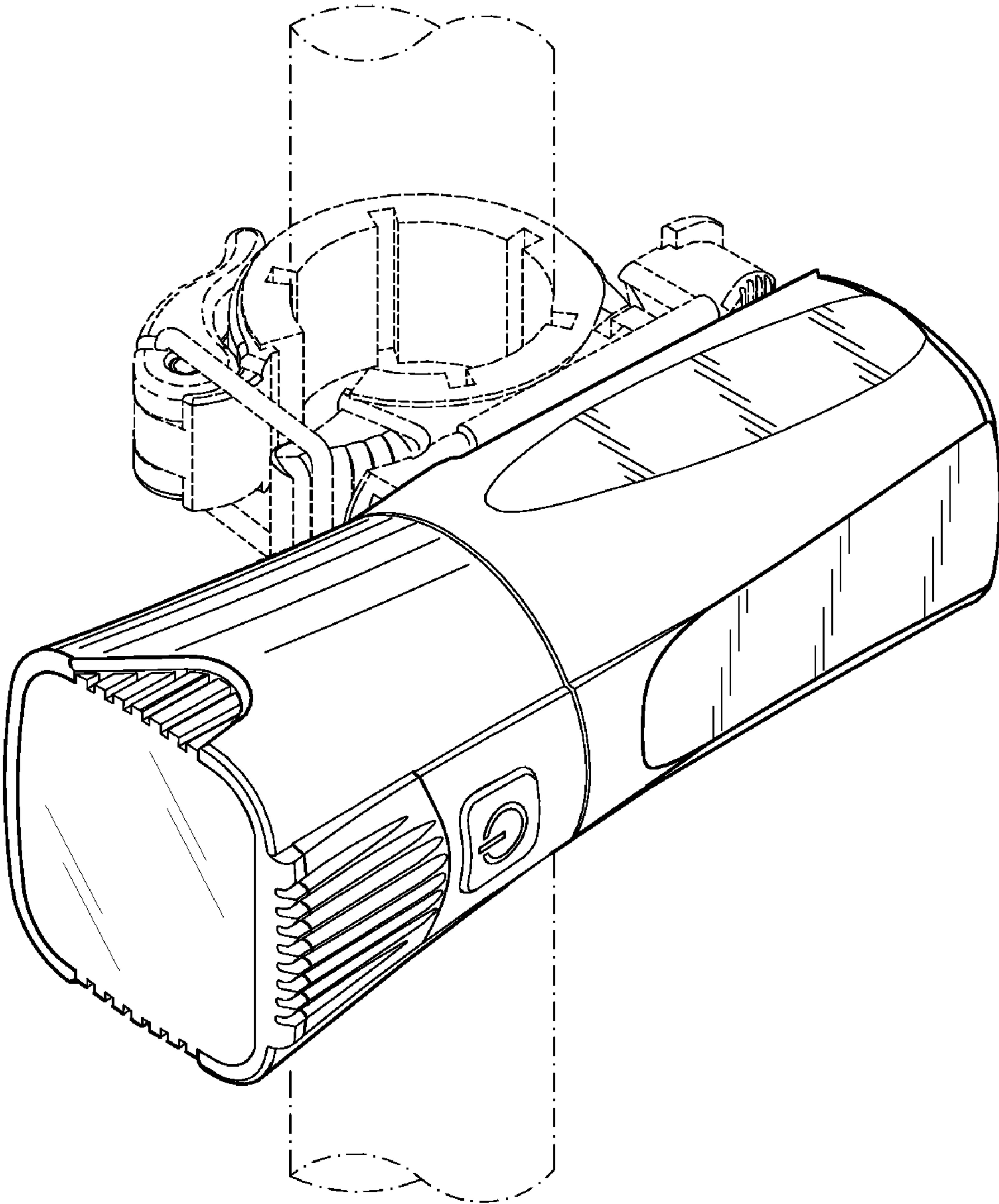


FIG. 8