



US00D608484S

(12) **United States Design Patent**
Lee

(10) **Patent No.:** **US D608,484 S**
(45) **Date of Patent:** **** Jan. 19, 2010**

(54) **LAMP FOR BIKES**

(76) **Inventor:** **Wen-Sung Lee**, No. 72, Chaoguei Rd.,
Situn District, Taichung City (TW)

(**) **Term:** **14 Years**

(21) **Appl. No.:** **29/325,868**

(22) **Filed:** **Oct. 7, 2008**

(51) **LOC (9) Cl.** **26-05**

(52) **U.S. Cl.** **D26/60**

(58) **Field of Classification Search** D26/28,
D26/37, 60; 362/191, 196, 200, 396, 473-476
See application file for complete search history.

(56) **References Cited**

U.S. PATENT DOCUMENTS

D155,617	S	*	10/1949	Marino	D26/60
3,112,889	A	*	12/1963	Marmo et al.	362/103
D324,578	S	*	3/1992	Tsuyama	D26/28
5,477,425	A	*	12/1995	Sun et al.	362/476
5,853,242	A	*	12/1998	Bouffay et al.	362/191
D407,835	S	*	4/1999	Okuda	D26/28
D411,320	S	*	6/1999	Sillanpaa	D26/28
D452,026	S	*	12/2001	Naghi et al.	D26/60

D528,230	S	*	9/2006	Nagano	D26/28
7,293,900	B1	*	11/2007	Lee	362/476
7,347,596	B2	*	3/2008	Ishikawa	362/473

* cited by examiner

Primary Examiner—Clare E Heflin
(74) *Attorney, Agent, or Firm*—Banger Shia

(57) **CLAIM**

I claim the ornamental design for a lamp for bikes, as shown and described.

DESCRIPTION

FIG. 1 is a perspective view of a lamp for bikes, showing my new design;

FIG. 2 is a front elevational view thereof;

FIG. 3 is a rear elevational view thereof;

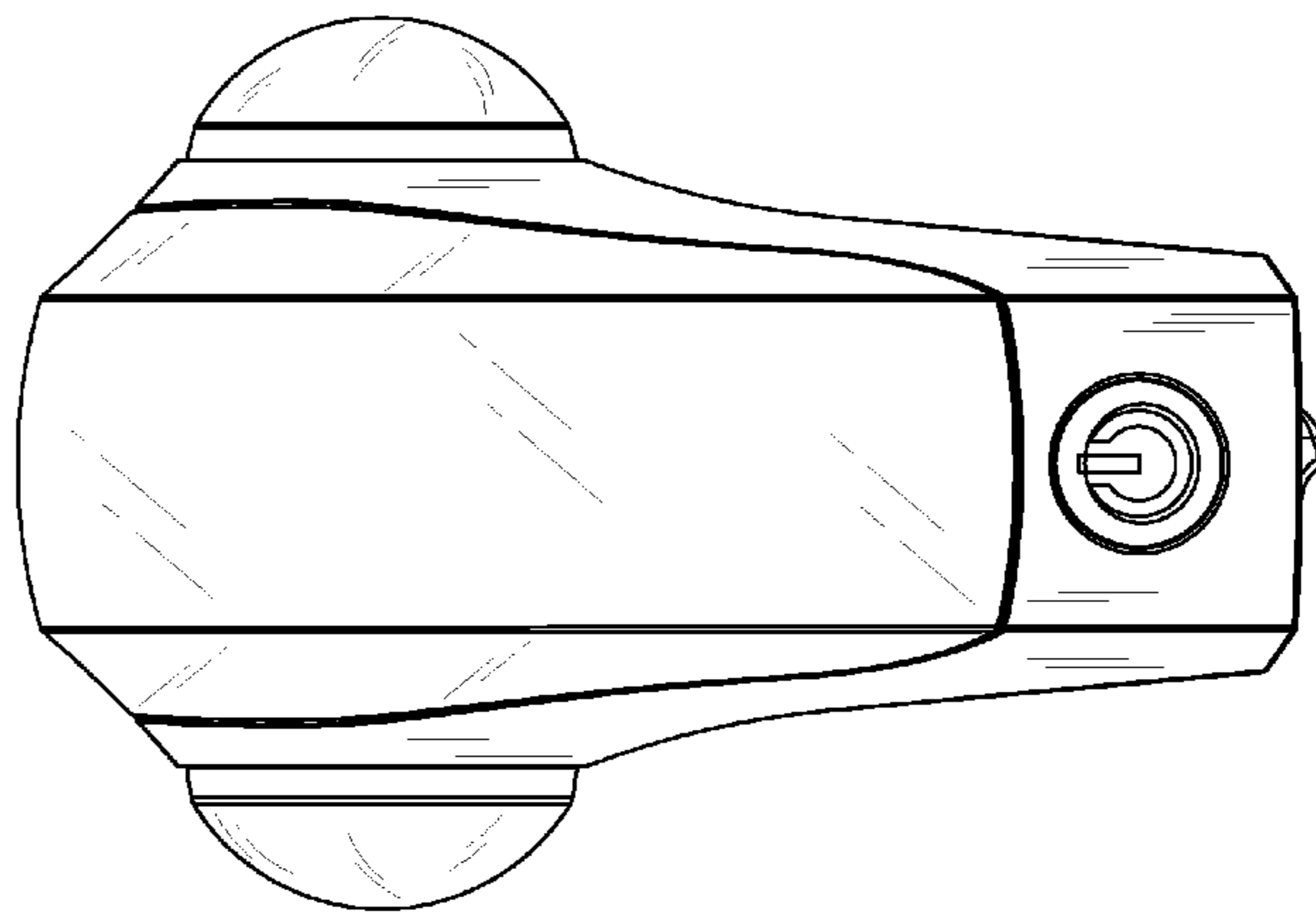
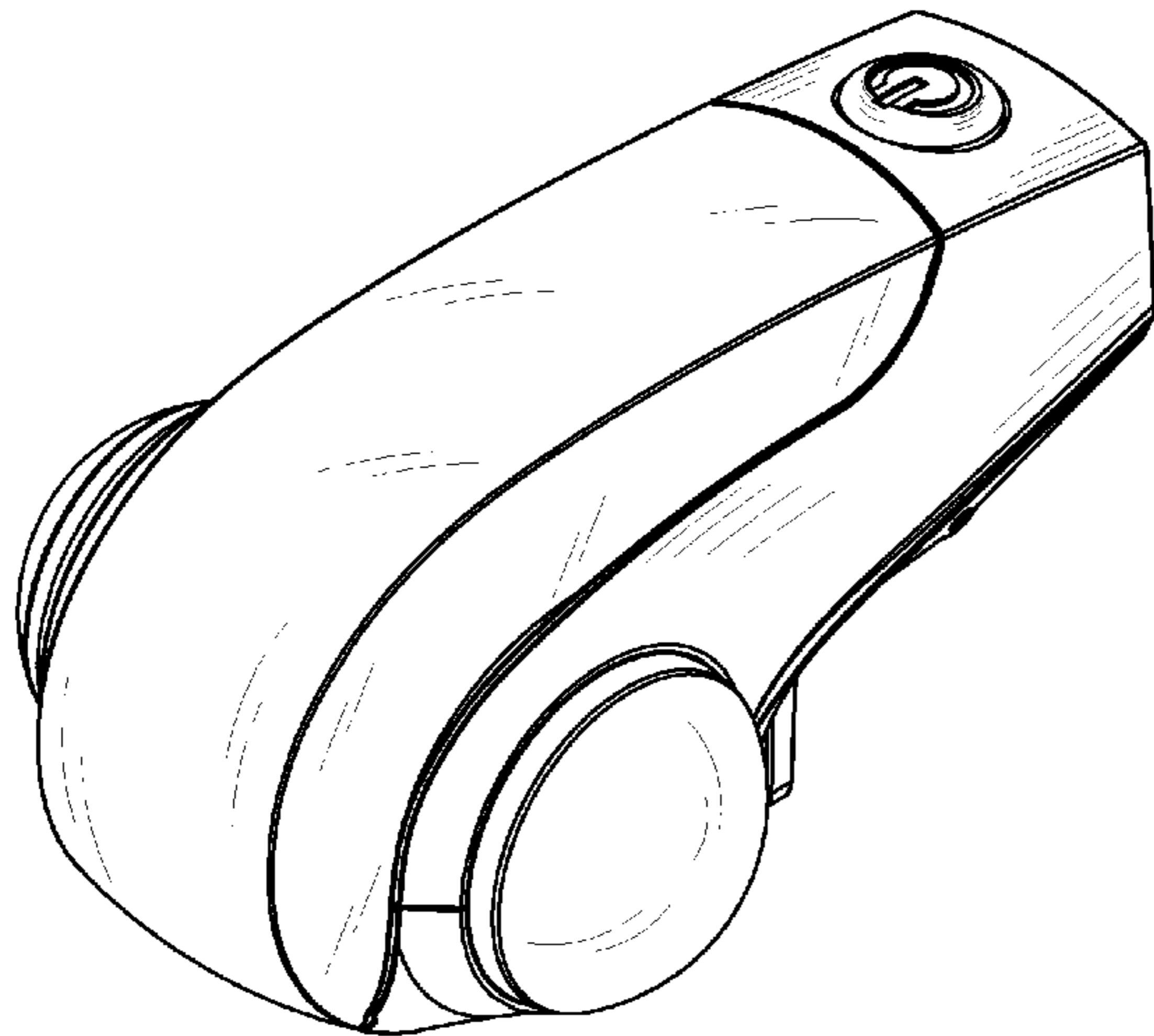
FIG. 4 is a left side elevational view thereof;

FIG. 5 is a right side elevational view thereof;

FIG. 6 is a top plan view thereof; and,

FIG. 7 is a bottom plan view thereof.

1 Claim, 7 Drawing Sheets



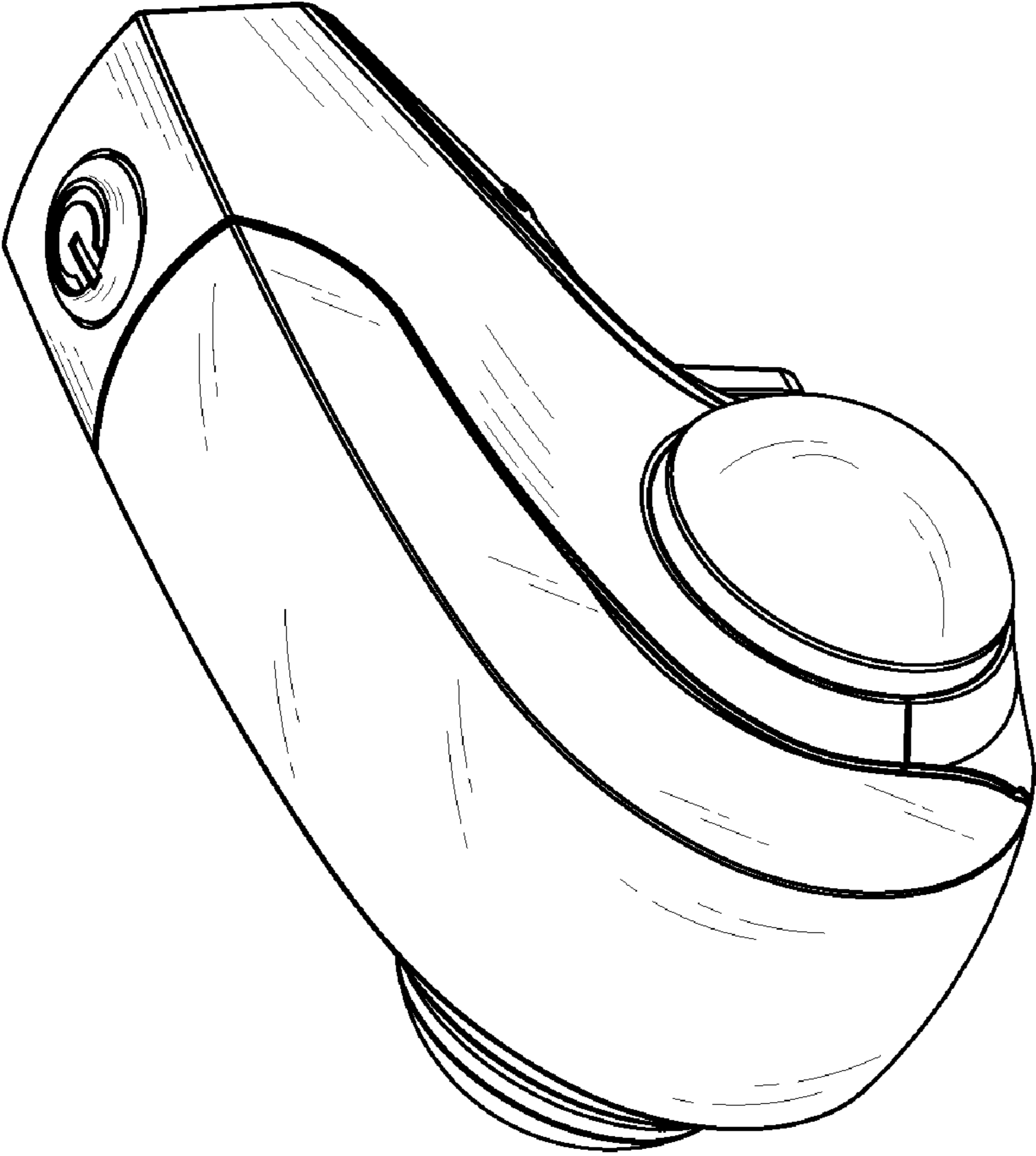


FIG. 1

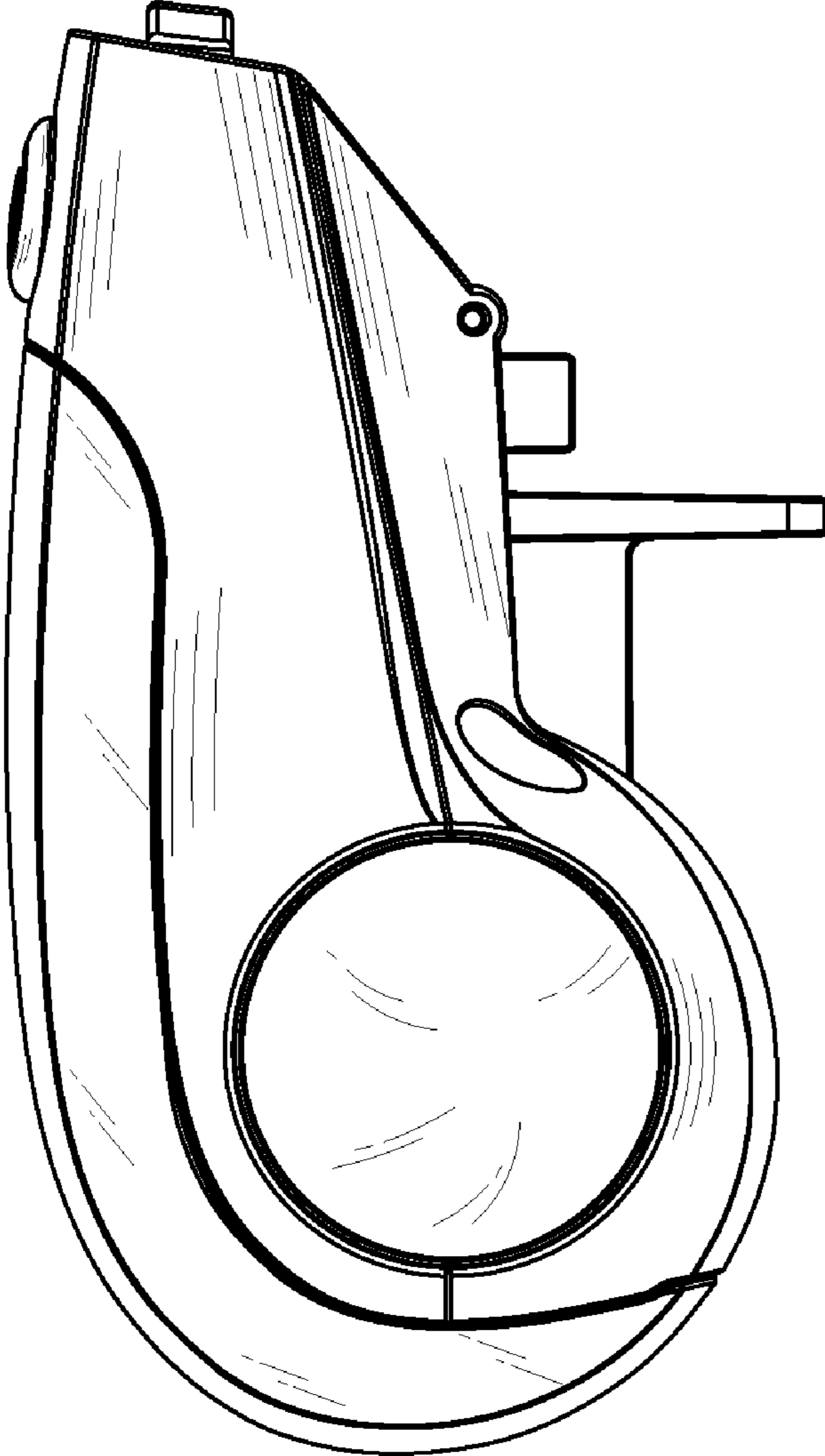


FIG. 2

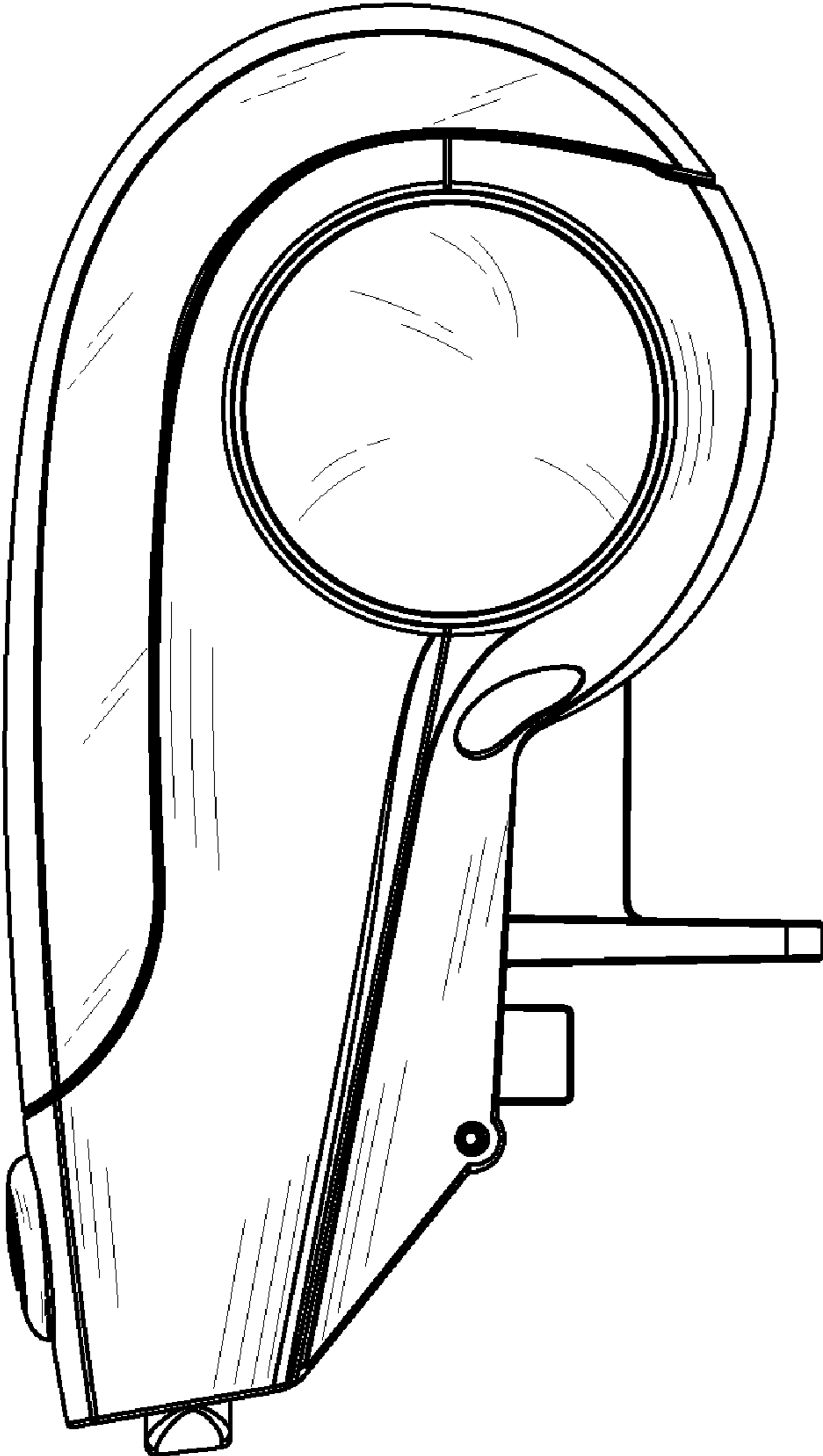


FIG. 3

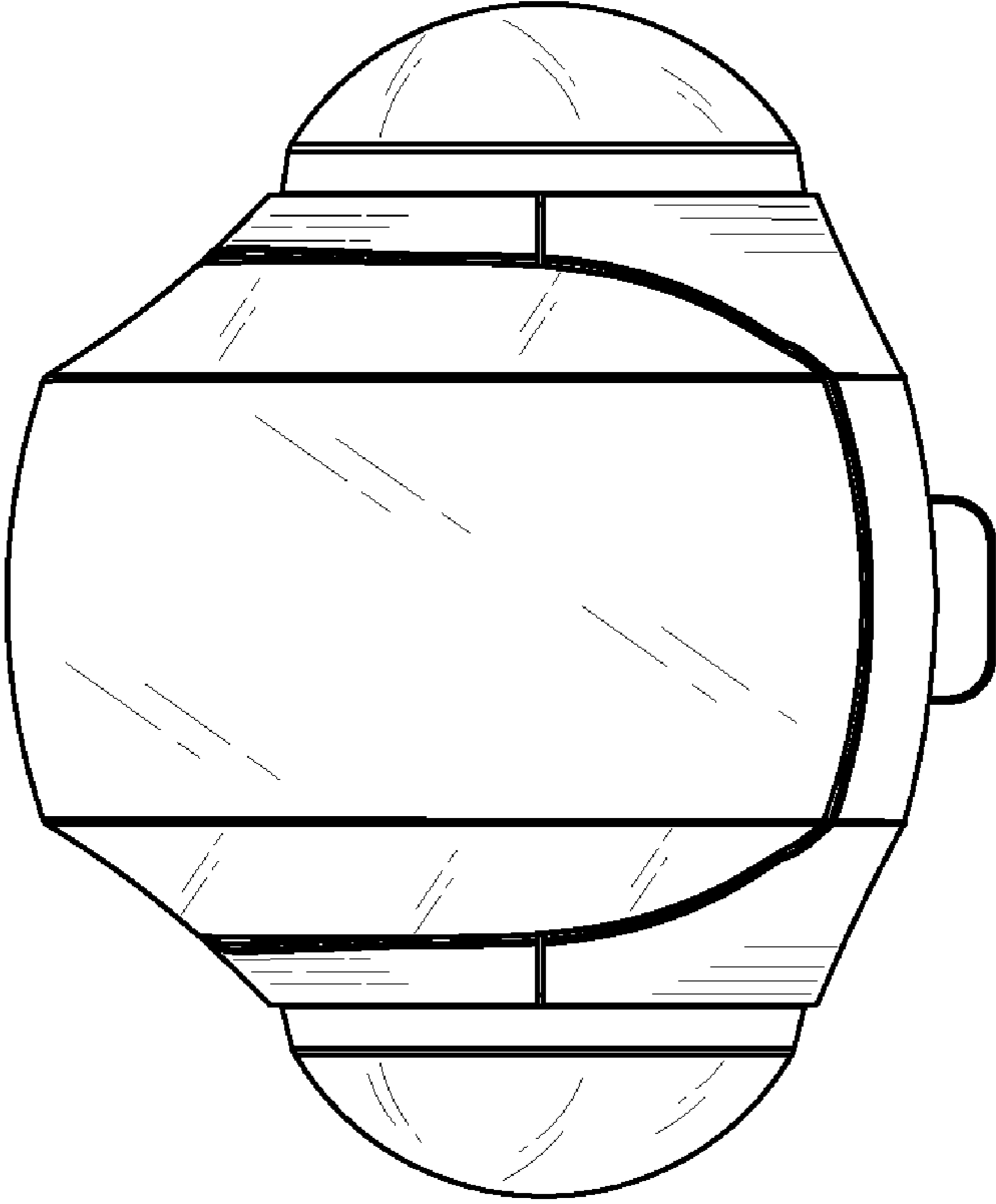


FIG. 4

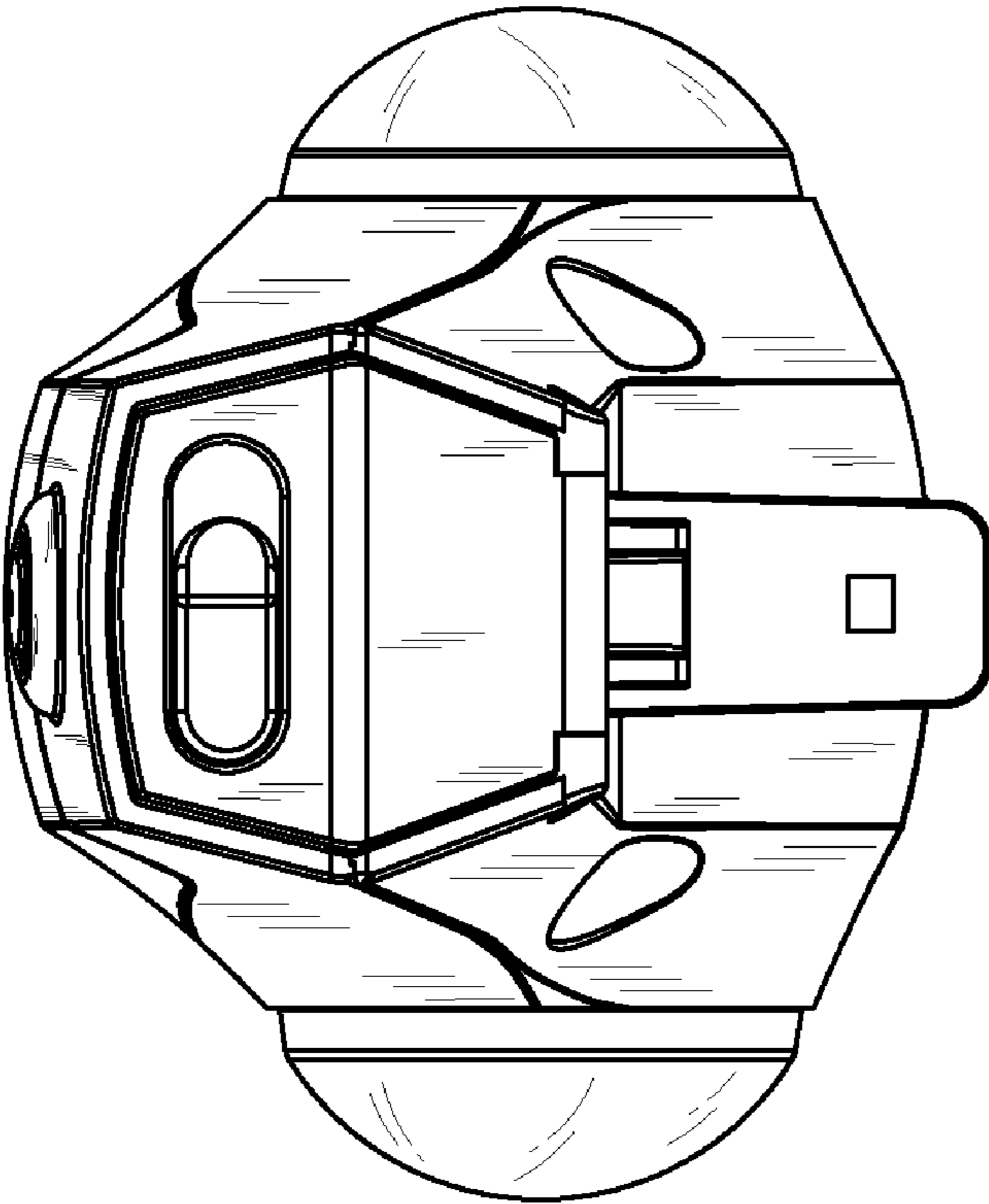


FIG. 5

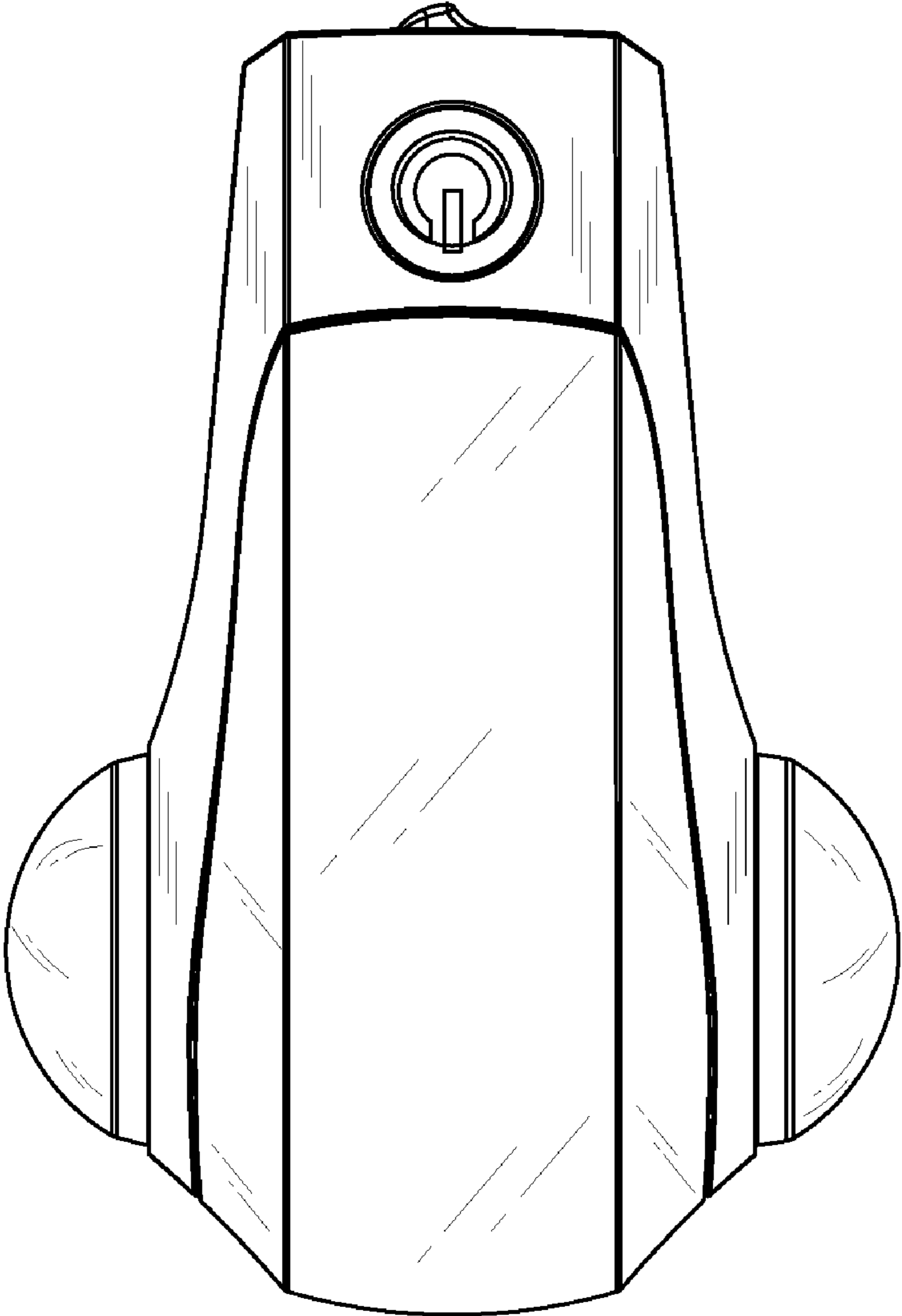


FIG. 6

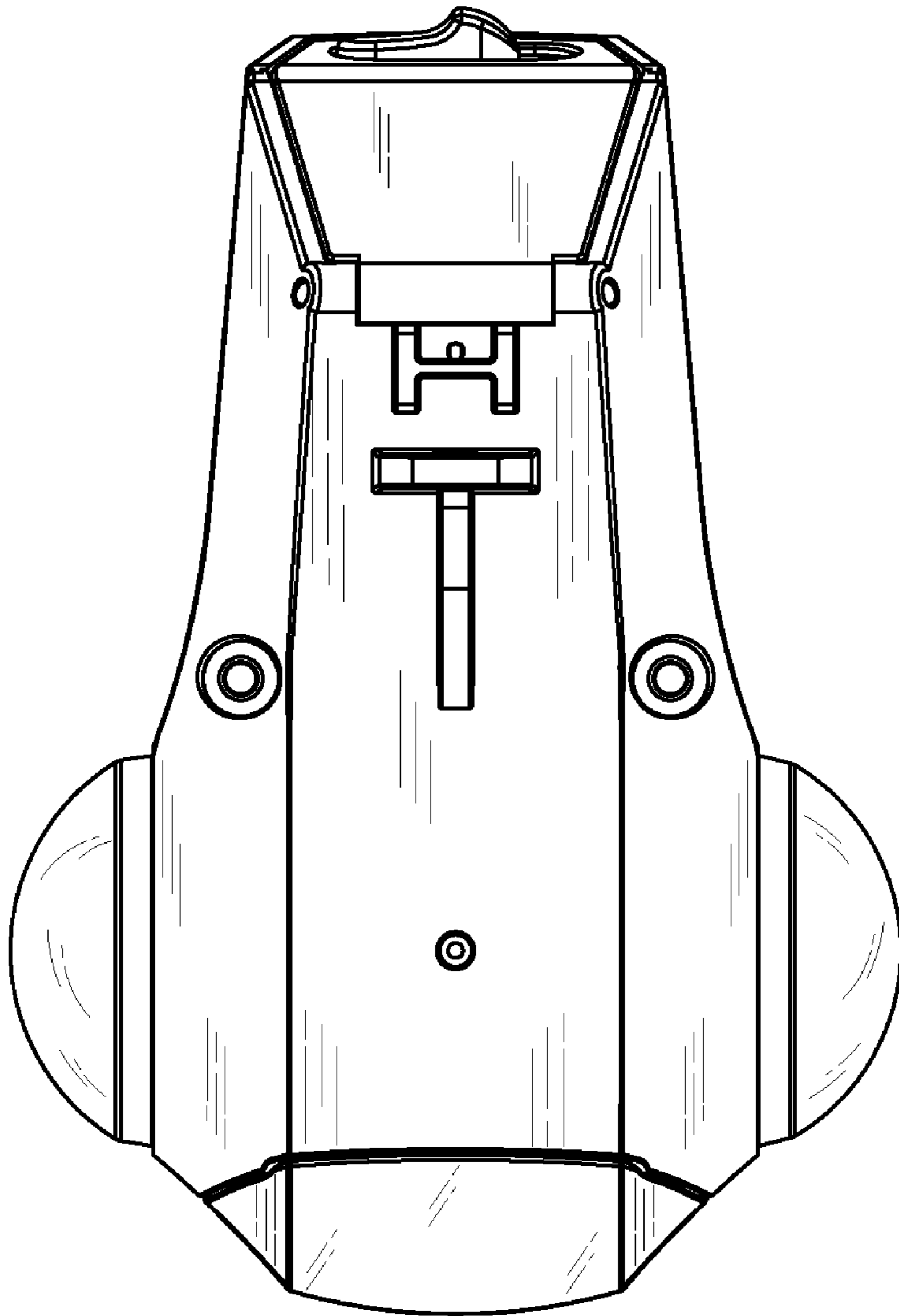


FIG. 7