



US00D608483S

(12) **United States Design Patent**
Lee

(10) **Patent No.:** **US D608,483 S**
(45) **Date of Patent:** **** Jan. 19, 2010**

(54) **LAMP FOR BIKES**

D588,722 S * 3/2009 Cheng D26/28

(76) **Inventor:** **Wen-Sung Lee**, No. 72, Chaoguei Rd.,
Situn District, Taichung City (TW)

* cited by examiner

(**) **Term:** **14 Years**

Primary Examiner—Clare E Heflin
(74) *Attorney, Agent, or Firm*—Banger Shia

(21) **Appl. No.:** **29/325,520**

(57) **CLAIM**

(22) **Filed:** **Oct. 1, 2008**

I claim the ornamental design for a lamp for bikes, as shown
and described.

(51) **LOC (9) Cl.** **26-05**

(52) **U.S. Cl.** **D26/60**

(58) **Field of Classification Search** D26/28,
D26/37, 60; 362/191, 196, 200, 396, 473–476
See application file for complete search history.

DESCRIPTION

FIG. 1 is a perspective view of a lamp for bikes, showing my
new design;

FIG. 2 is a front elevational view thereof;

FIG. 3 is a rear elevational view thereof;

FIG. 4 is a left side elevational view thereof;

FIG. 5 is a right side elevational view thereof;

FIG. 6 is a top plan view thereof; and,

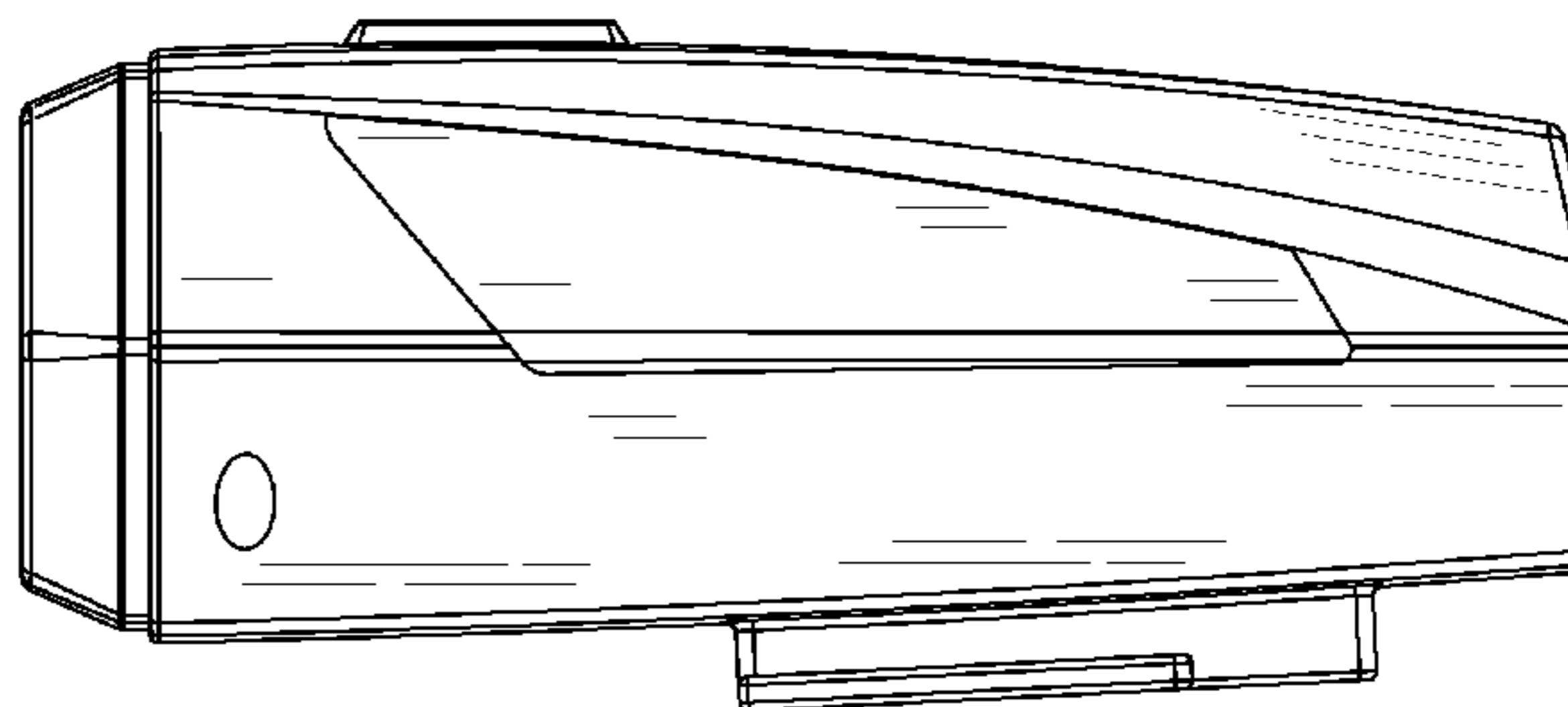
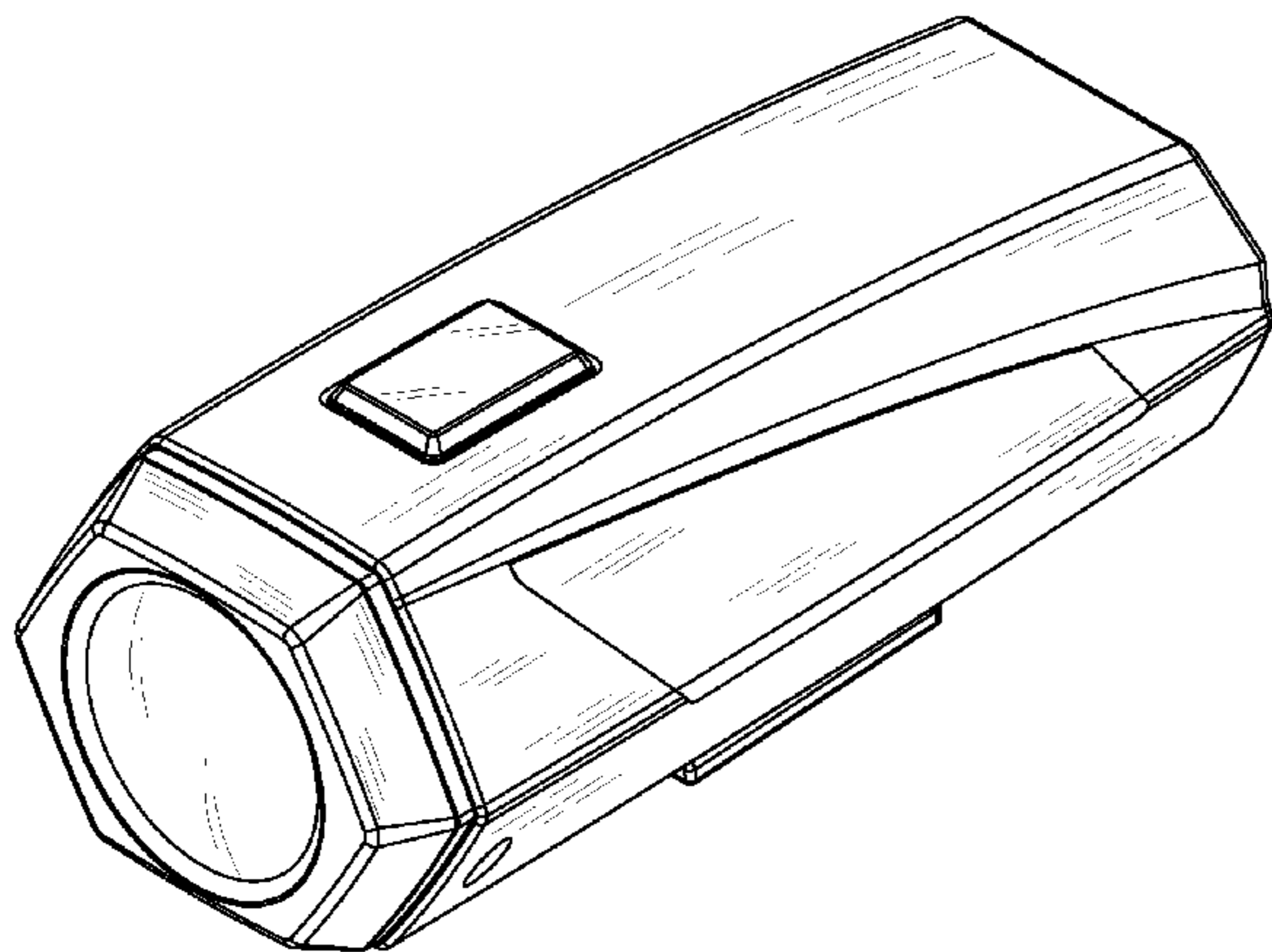
FIG. 7 is a bottom plan view thereof.

(56) **References Cited**

U.S. PATENT DOCUMENTS

3,112,889	A	*	12/1963	Marmo et al.	362/103
D279,223	S	*	6/1985	Tanaka	D26/60
6,814,464	B2	*	11/2004	Galli	362/200
D540,481	S	*	4/2007	Okuda	D26/28
D541,965	S	*	5/2007	Shiu	D26/60
D569,023	S	*	5/2008	Lee	D26/60

1 Claim, 7 Drawing Sheets



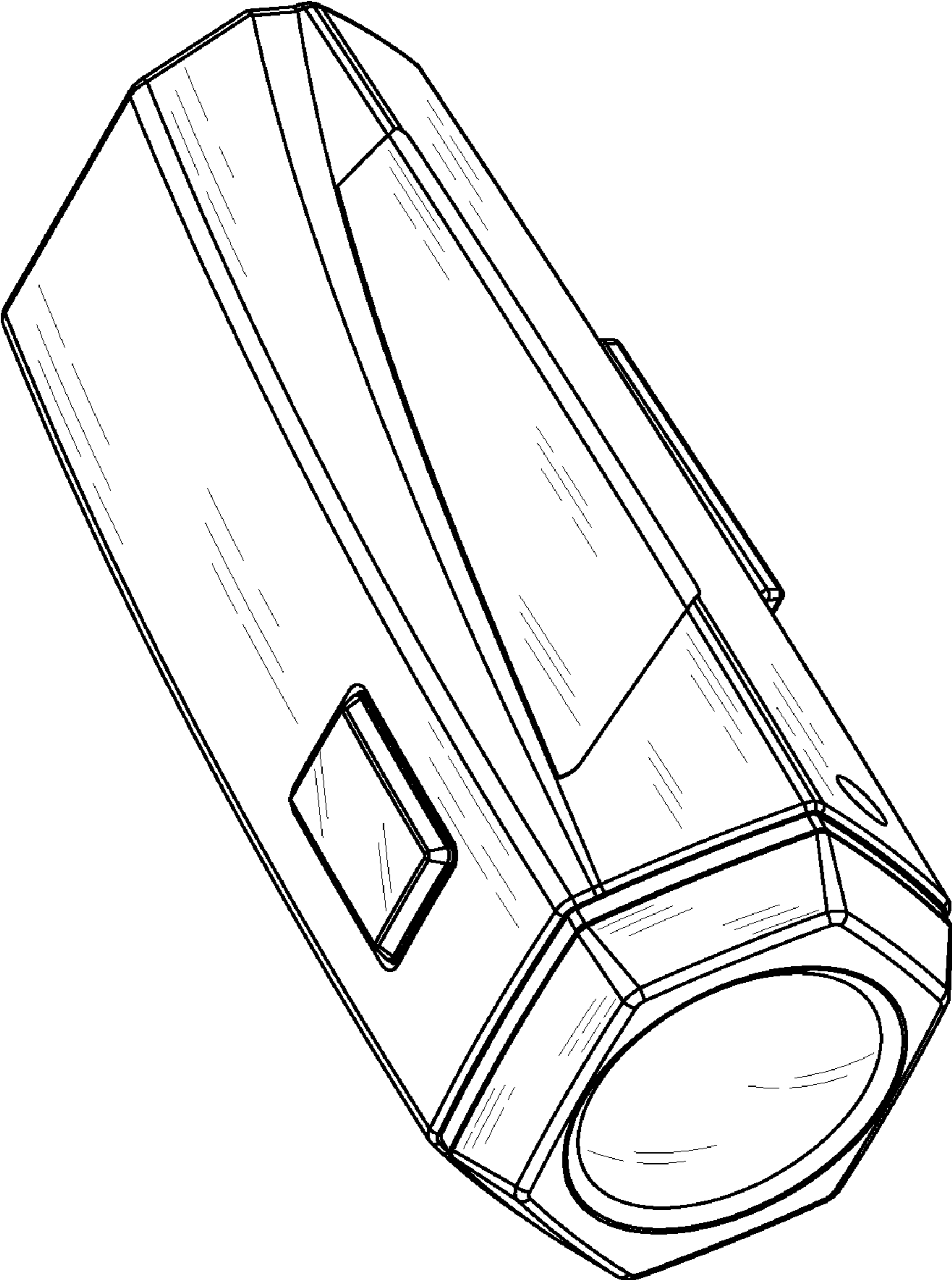


FIG. 1

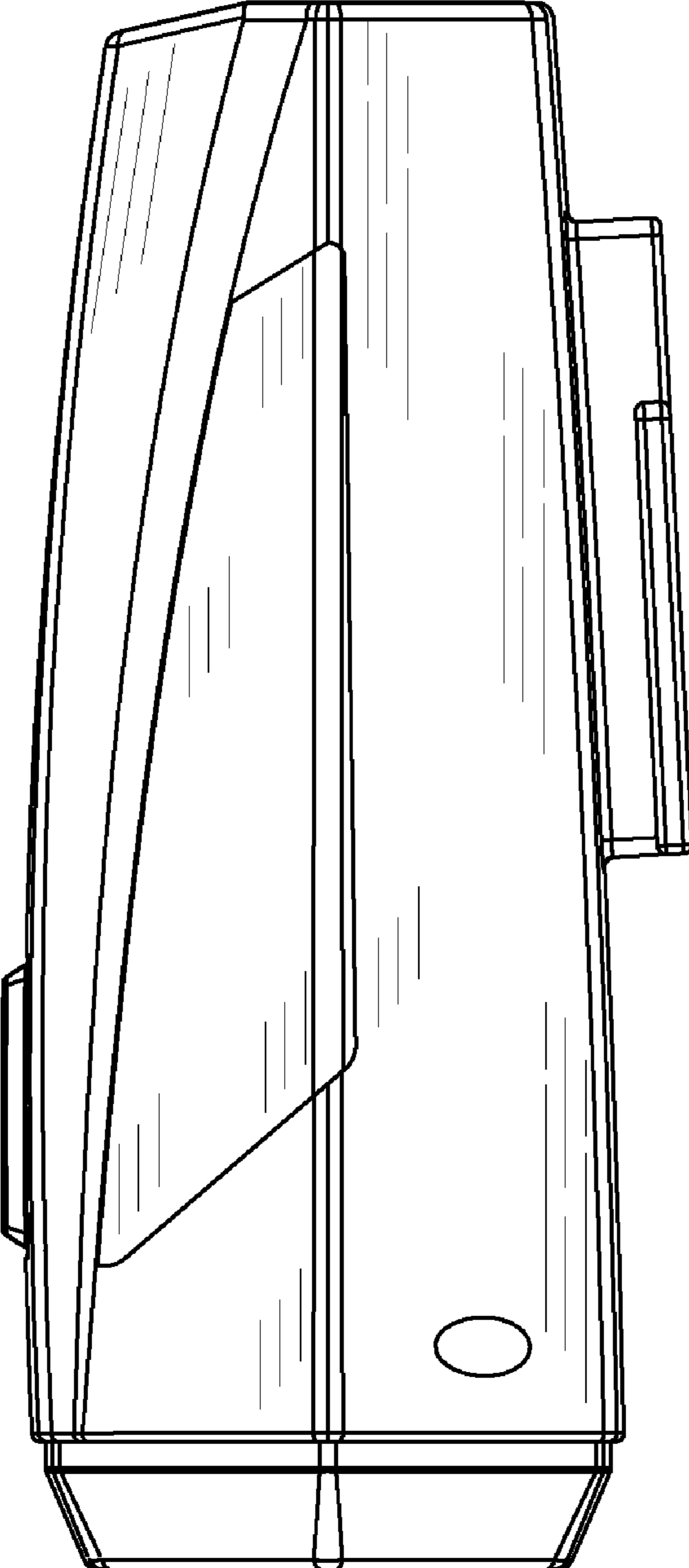


FIG. 2

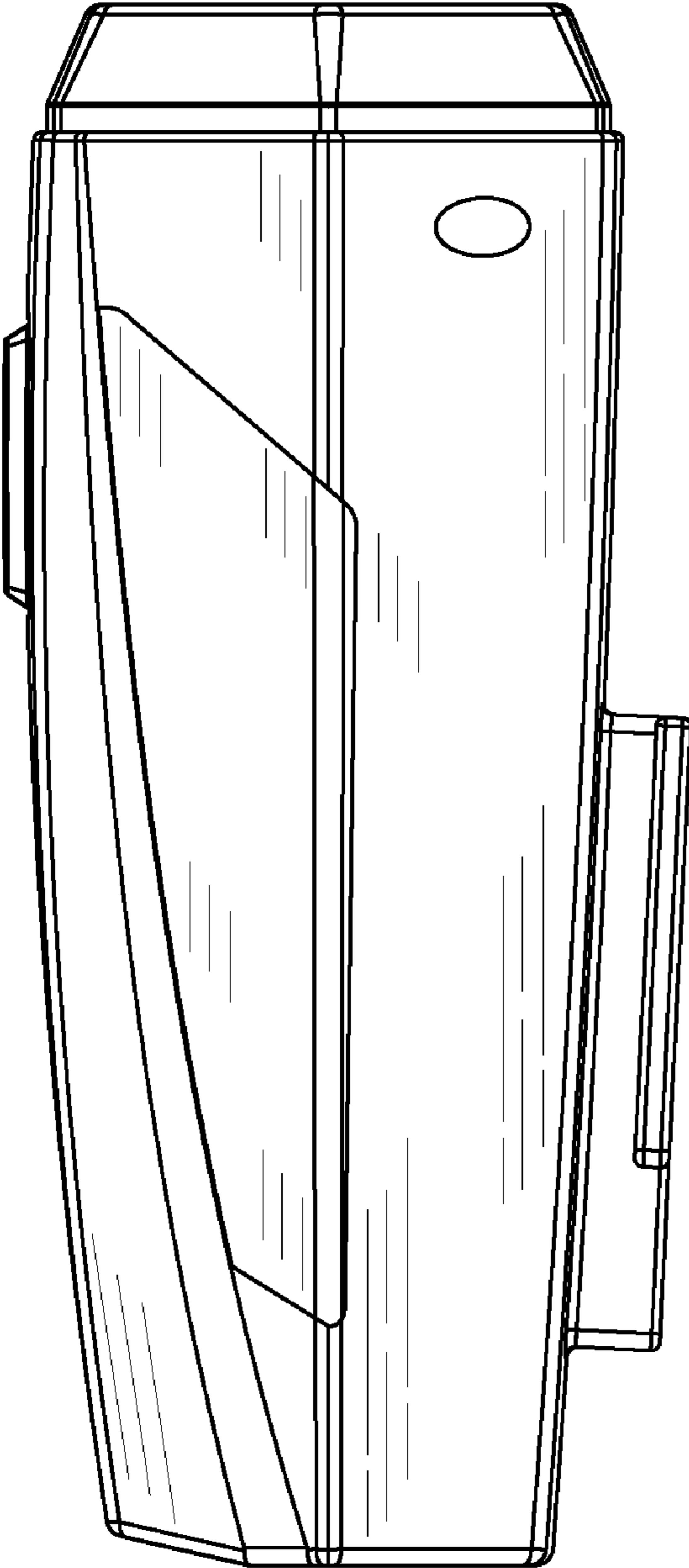


FIG. 3

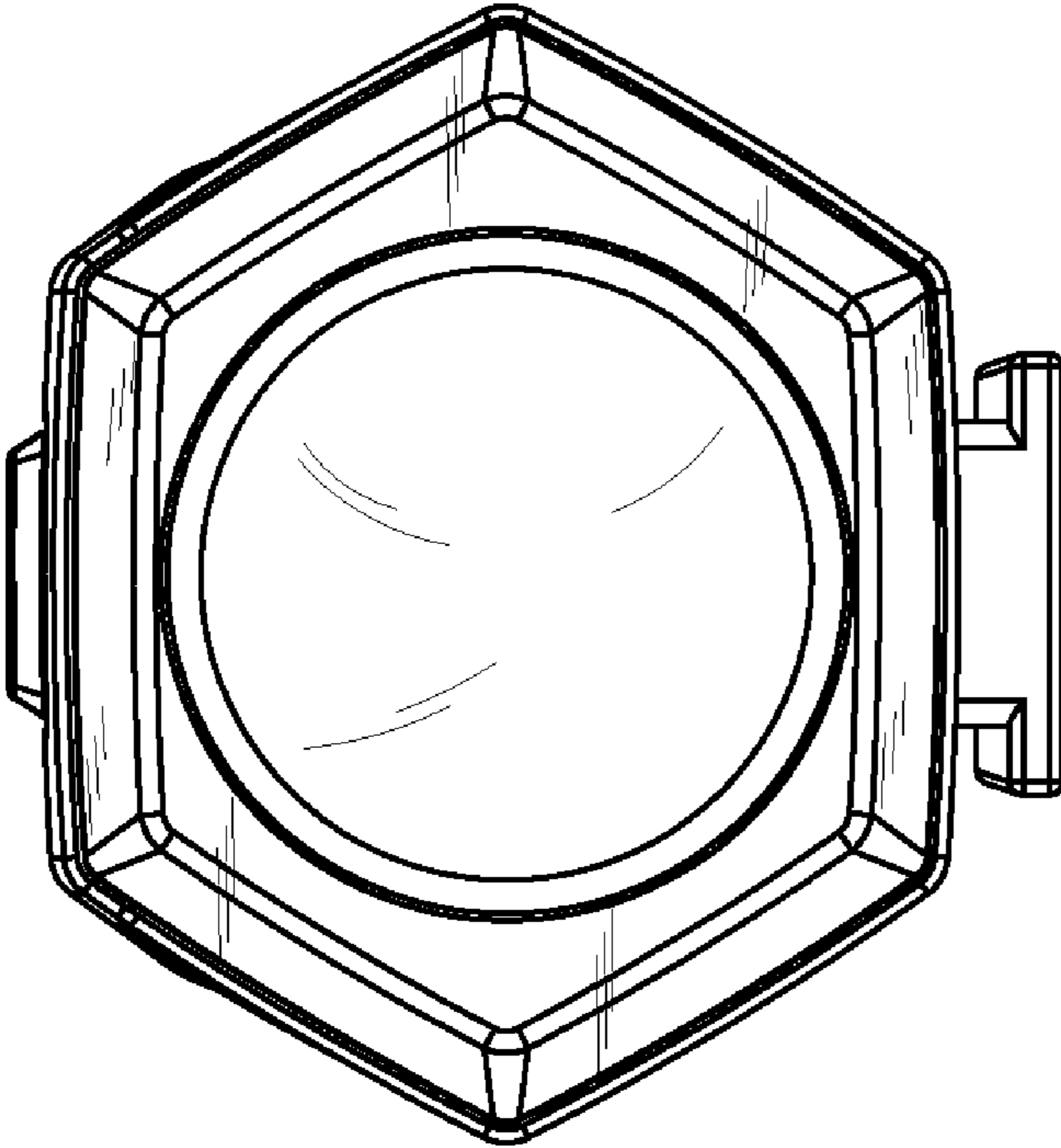


FIG. 4

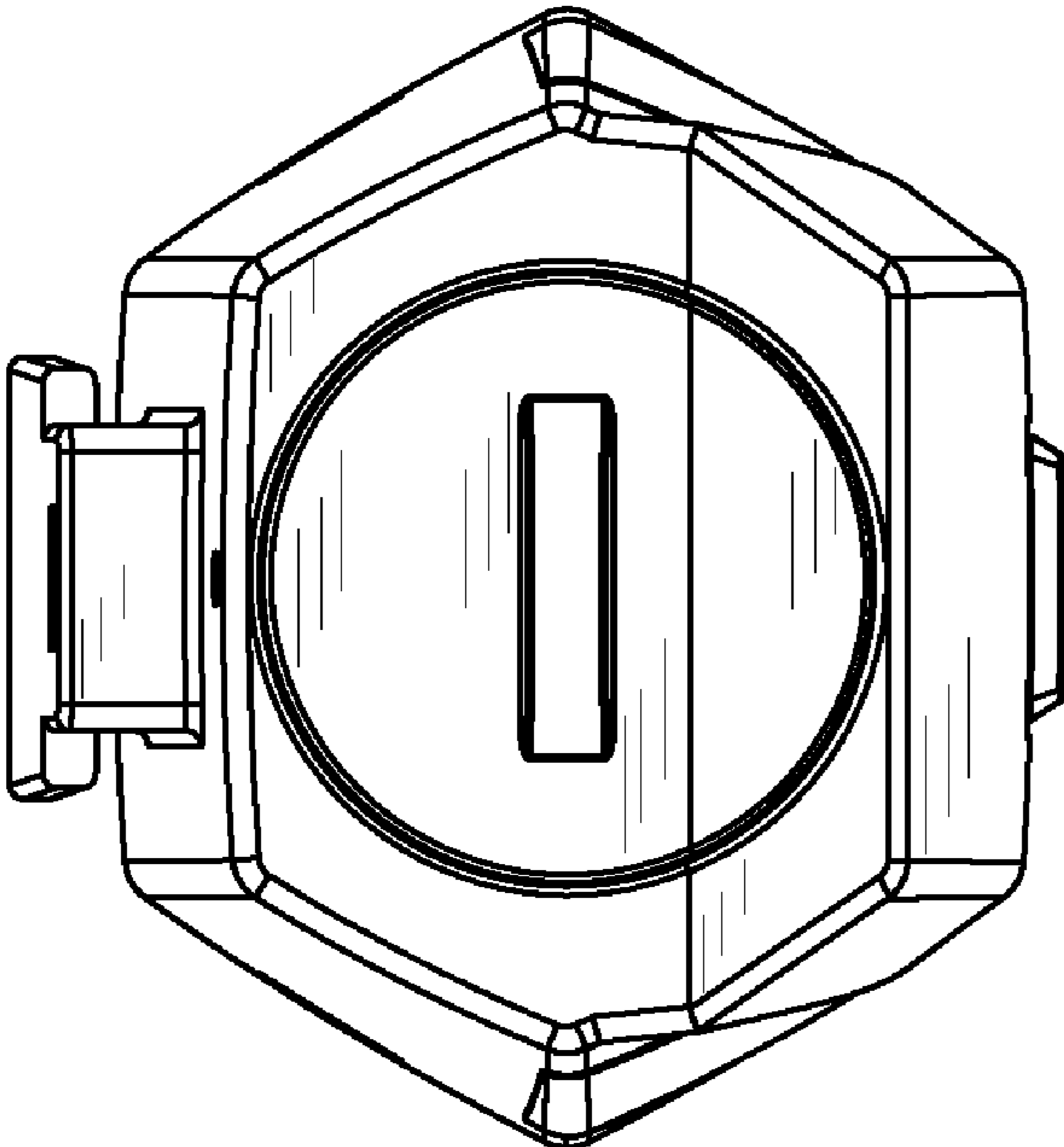


FIG. 5

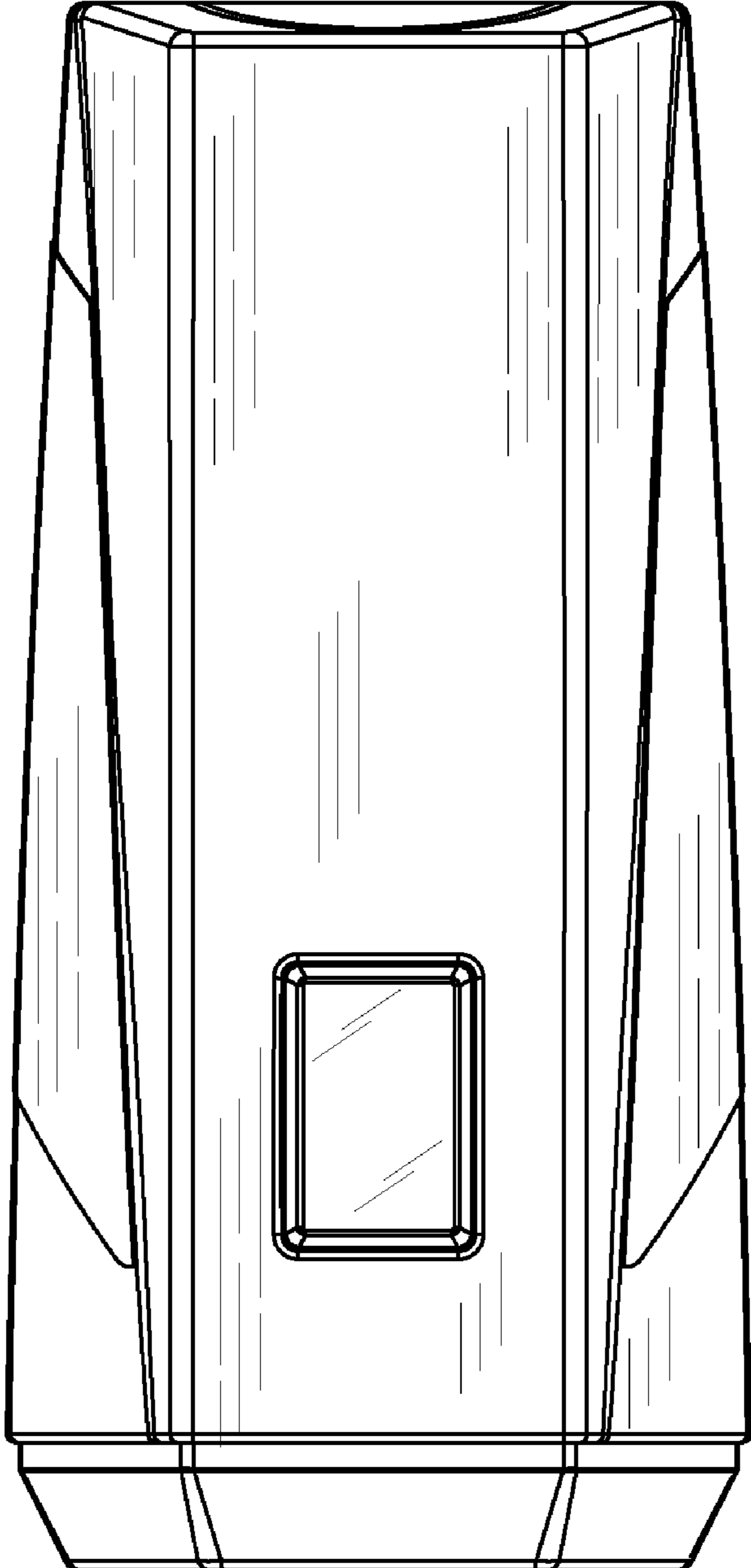


FIG. 6

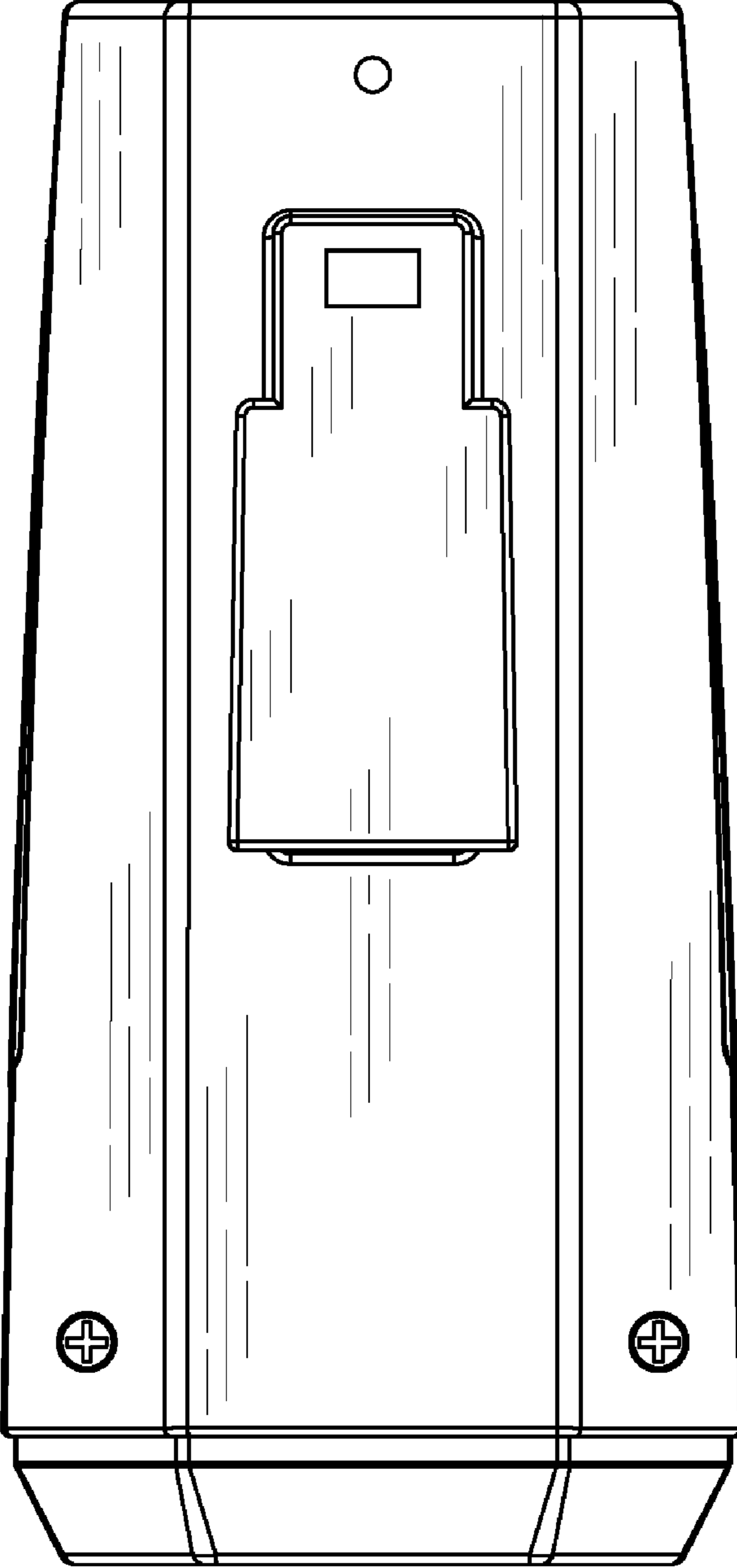


FIG. 7