



US00D608479S

(12) **United States Design Patent**  
**Heine et al.**

(10) **Patent No.:** **US D608,479 S**  
(45) **Date of Patent:** **\*\* Jan. 19, 2010**

(54) **HEADLAMP WITH BINOCULAR LENS AND GLASSES**

(75) Inventors: **Oliver Heine**, Herrsching (DE); **Dirk Schade**, Penzberg (DE); **Gerhard Gügel**, Diessen (DE); **Sebastian Büchert**, München (DE)

(73) Assignee: **Heine Optotechnik GmbH & Co. KG**, Herrsching (DE)

(\*\*) Term: **14 Years**

(21) Appl. No.: **29/279,939**

(22) Filed: **May 11, 2007**

(30) **Foreign Application Priority Data**

Nov. 13, 2006 (EP) ..... 000626965

(51) **LOC (9) Cl.** ..... **26-02**

(52) **U.S. Cl.** ..... **D26/39; D24/231**

(58) **Field of Classification Search** ..... D26/24, D26/37, 39, 51, 113, 120; D24/137, 150, D24/160, 186; D16/311, 133, 135-136; D29/103; D2/865-866, 875; 362/103, 105-106, 362/253, 572, 804

See application file for complete search history.

(56) **References Cited**

**U.S. PATENT DOCUMENTS**

D238,958 S \* 2/1976 Feinbloom ..... D26/39  
D266,192 S \* 9/1982 Feinbloom et al. .... D26/39  
D266,255 S \* 9/1982 Burbo et al. .... D16/133  
4,593,683 A \* 6/1986 Blaha ..... 600/249  
D296,337 S \* 6/1988 Caplan ..... D16/133  
5,412,811 A \* 5/1995 Hildenbrand et al. .... 2/10  
5,667,291 A \* 9/1997 Caplan et al. .... 362/105  
D390,582 S \* 2/1998 Palmer ..... D16/130  
5,769,523 A \* 6/1998 Feinbloom ..... 362/554

5,774,271 A \* 6/1998 Lagerway et al. .... 359/649  
D406,371 S \* 3/1999 Van Der Bel ..... D26/39  
D441,886 S \* 5/2001 Beck ..... D26/39  
6,488,373 B1 \* 12/2002 Feinbloom et al. .... 351/57  
D539,952 S \* 4/2007 Iranyi et al. .... D26/39  
7,210,810 B1 \* 5/2007 Iversen et al. .... 362/105  
D552,278 S \* 10/2007 Spartano et al. .... D26/39  
7,290,896 B2 \* 11/2007 Dallas et al. .... 362/184  
7,314,294 B1 \* 1/2008 Moore ..... 362/373  
D564,011 S \* 3/2008 Beate et al. .... D16/309  
D572,853 S \* 7/2008 Heine et al. .... D26/39

\* cited by examiner

*Primary Examiner*—Ian Simmons

*Assistant Examiner*—Dana L Sipos

(74) *Attorney, Agent, or Firm*—Bachman & LaPointe, P.C.

(57) **CLAIM**

The ornamental design for a headlamp with binocular lens and glasses, as shown.

**DESCRIPTION**

FIG. 1 is a perspective view of a headlamp with binocular lens and glasses according to the invention;

FIG. 2 is a front view of the headlamp with binocular lens and glasses according to the invention;

FIG. 3 is a rear view of the headlamp with binocular lens and glasses according to the invention;

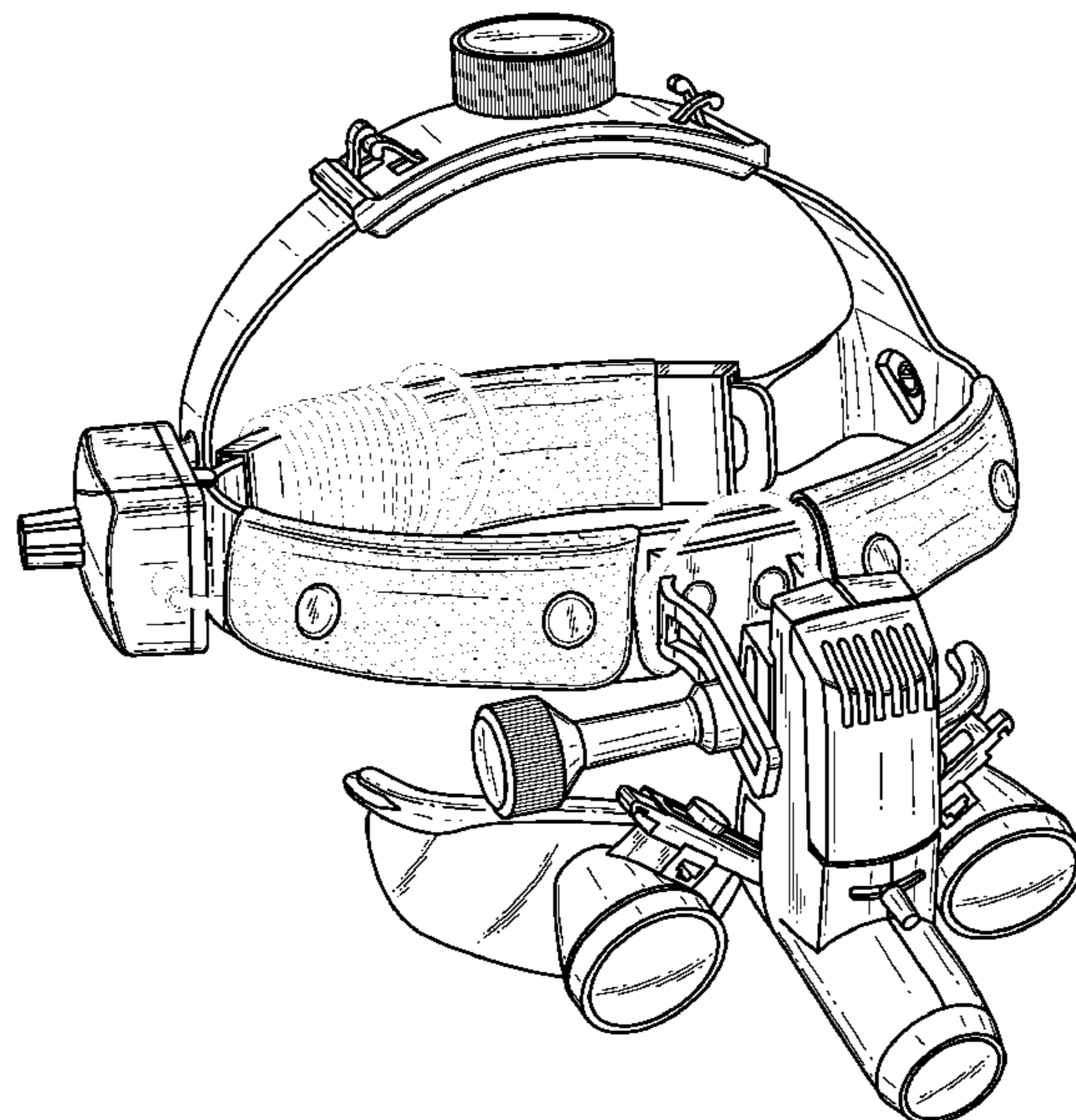
FIG. 4 is a top view of headlamp with binocular lens and glasses according to the invention;

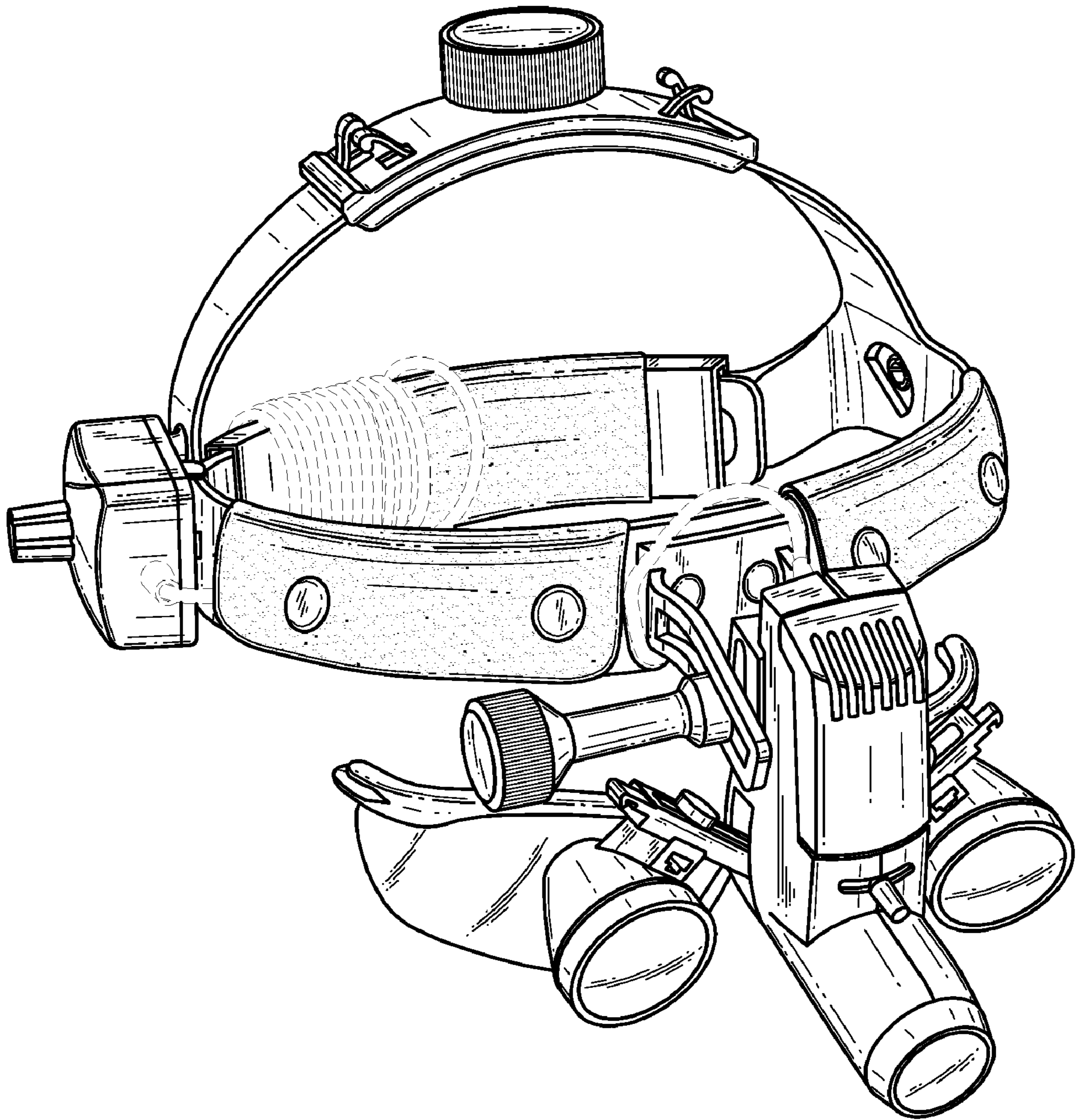
FIG. 5 is one side view of the headlamp with binocular lens and glasses according to the invention;

FIG. 6 is the other side view of the headlamp with binocular lens and glasses according to the invention; and,

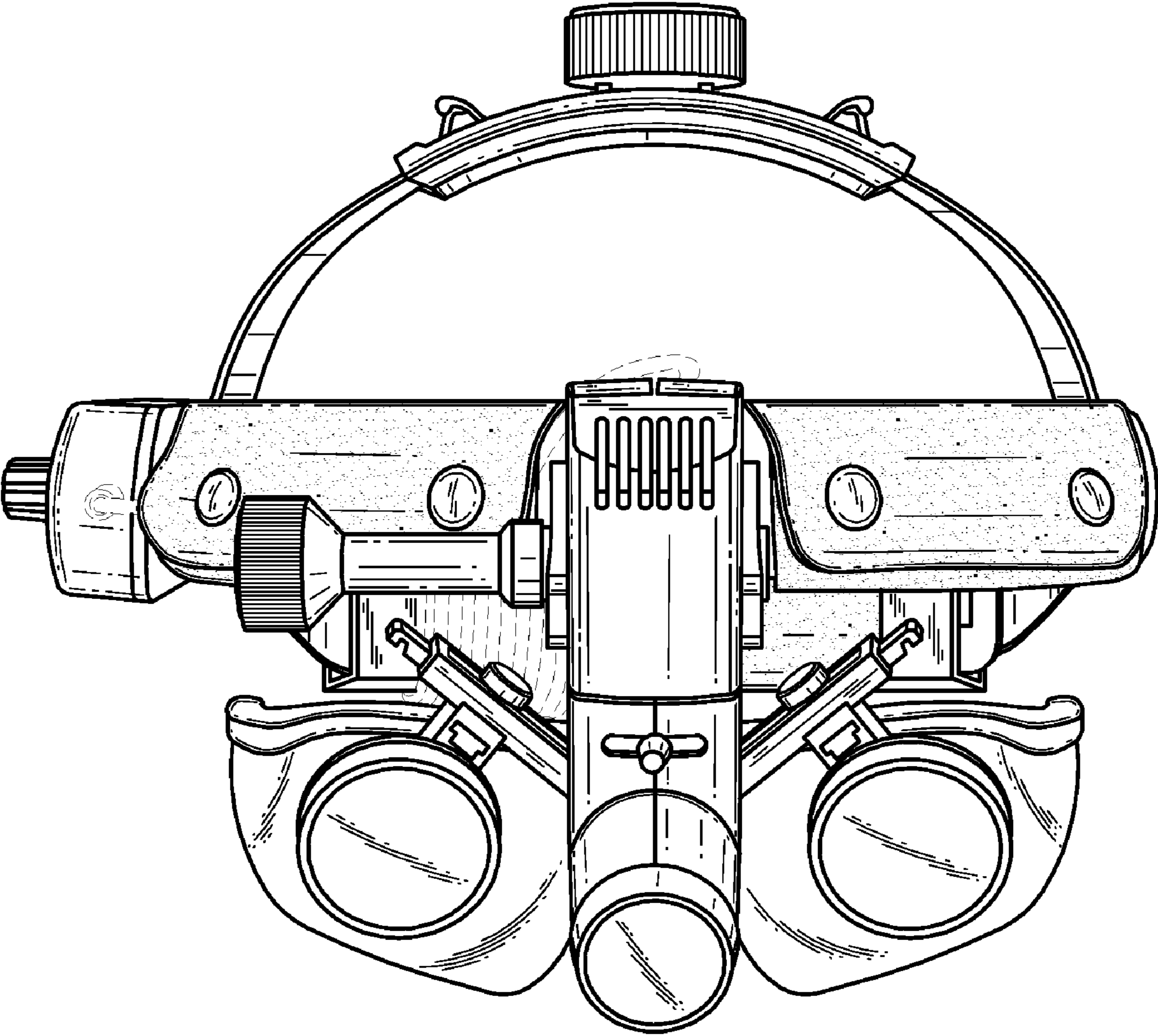
FIG. 7 is a bottom view of the headlamp with binocular lens and glasses according to the invention.

**1 Claim, 7 Drawing Sheets**

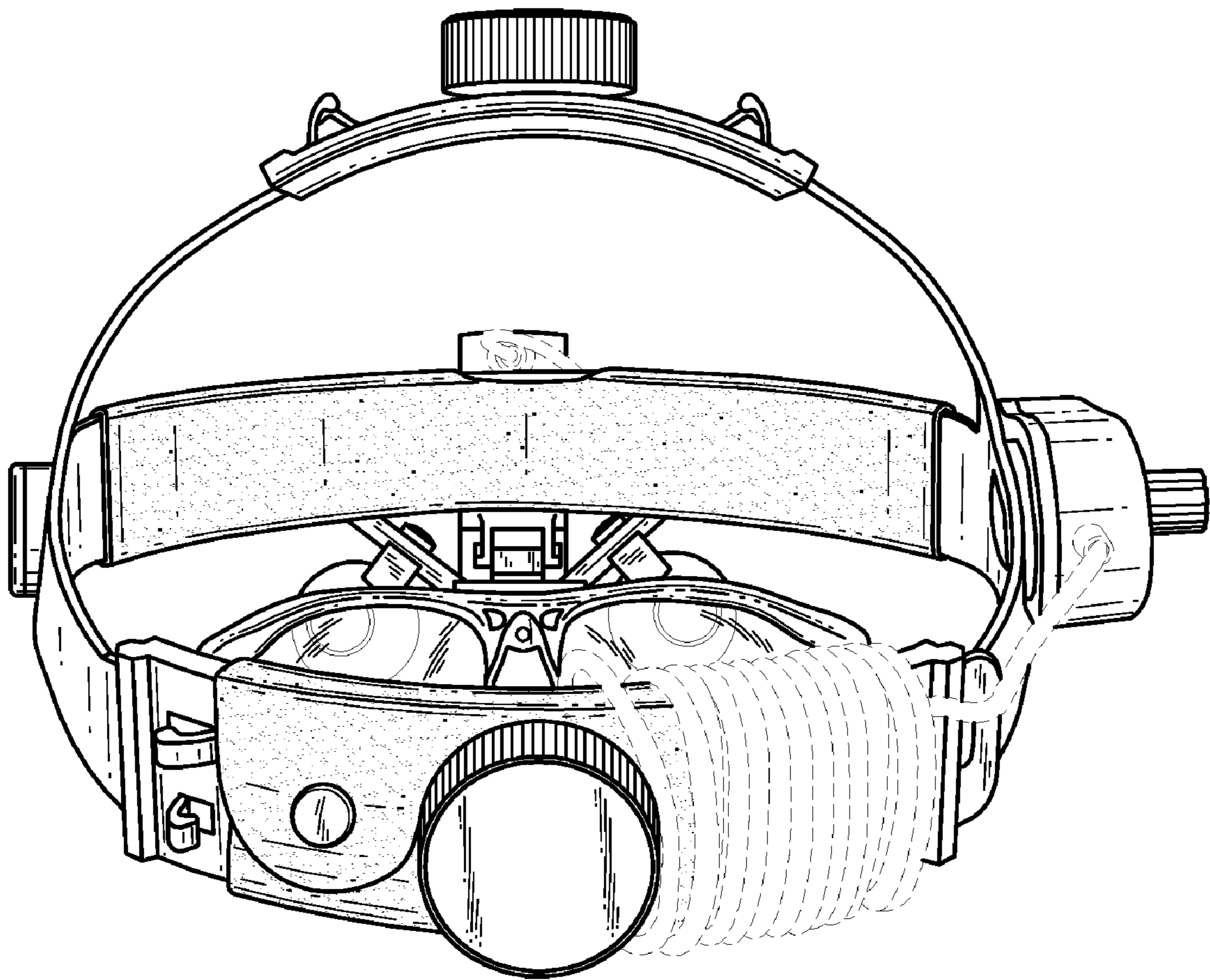




*FIG. 1*



*FIG. 2*



*FIG. 3*

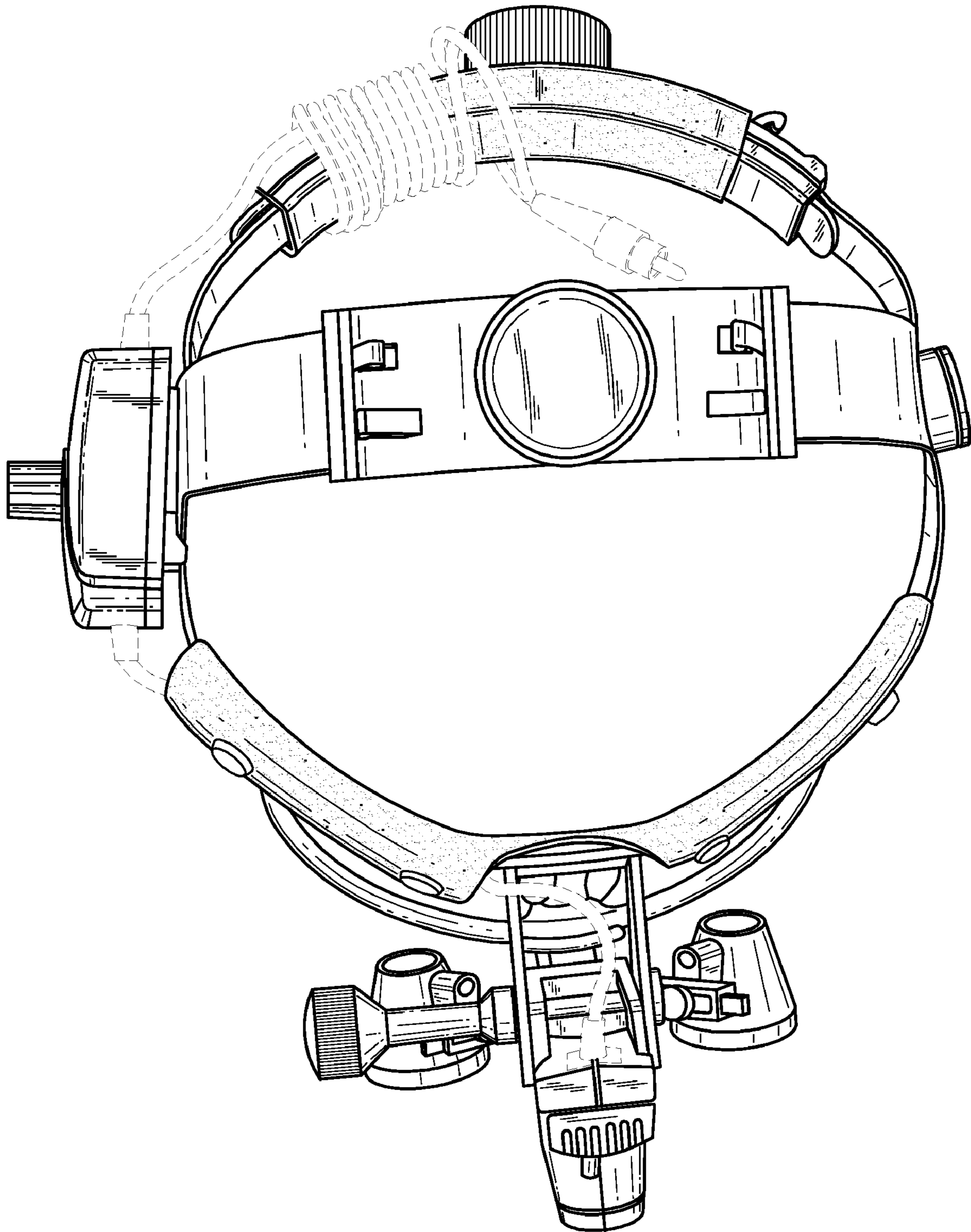


FIG. 4

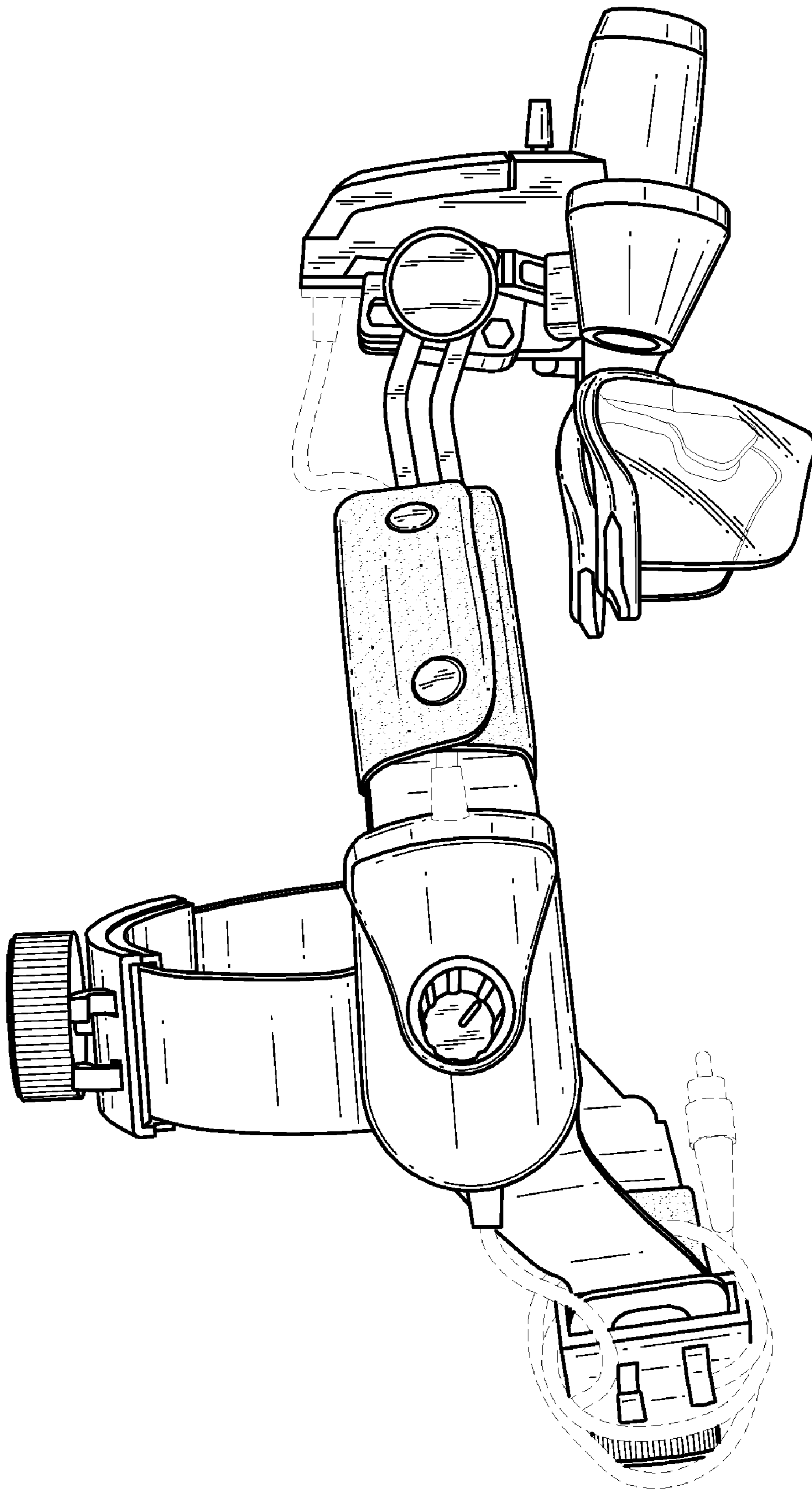


FIG. 5

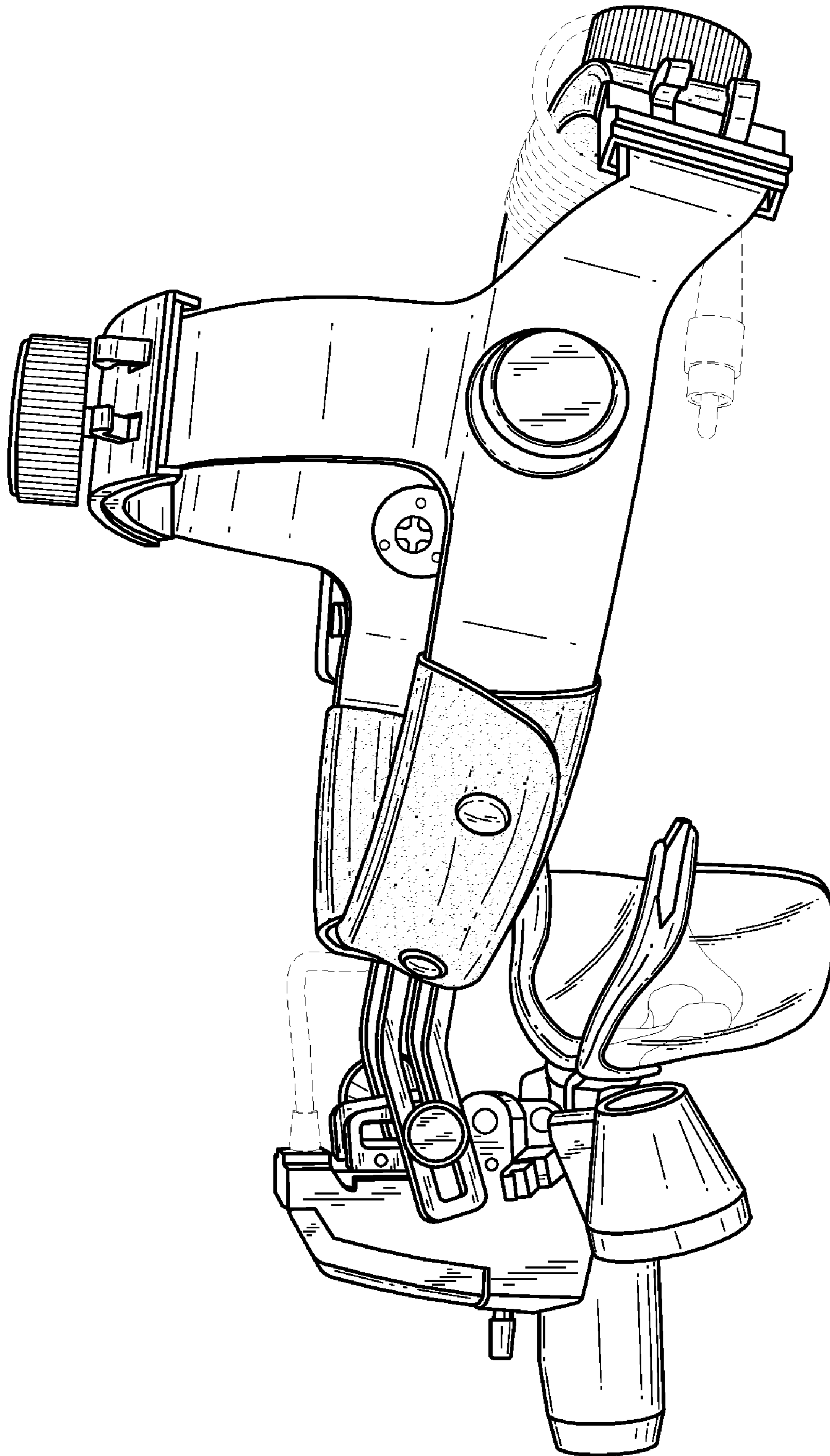


FIG. 6

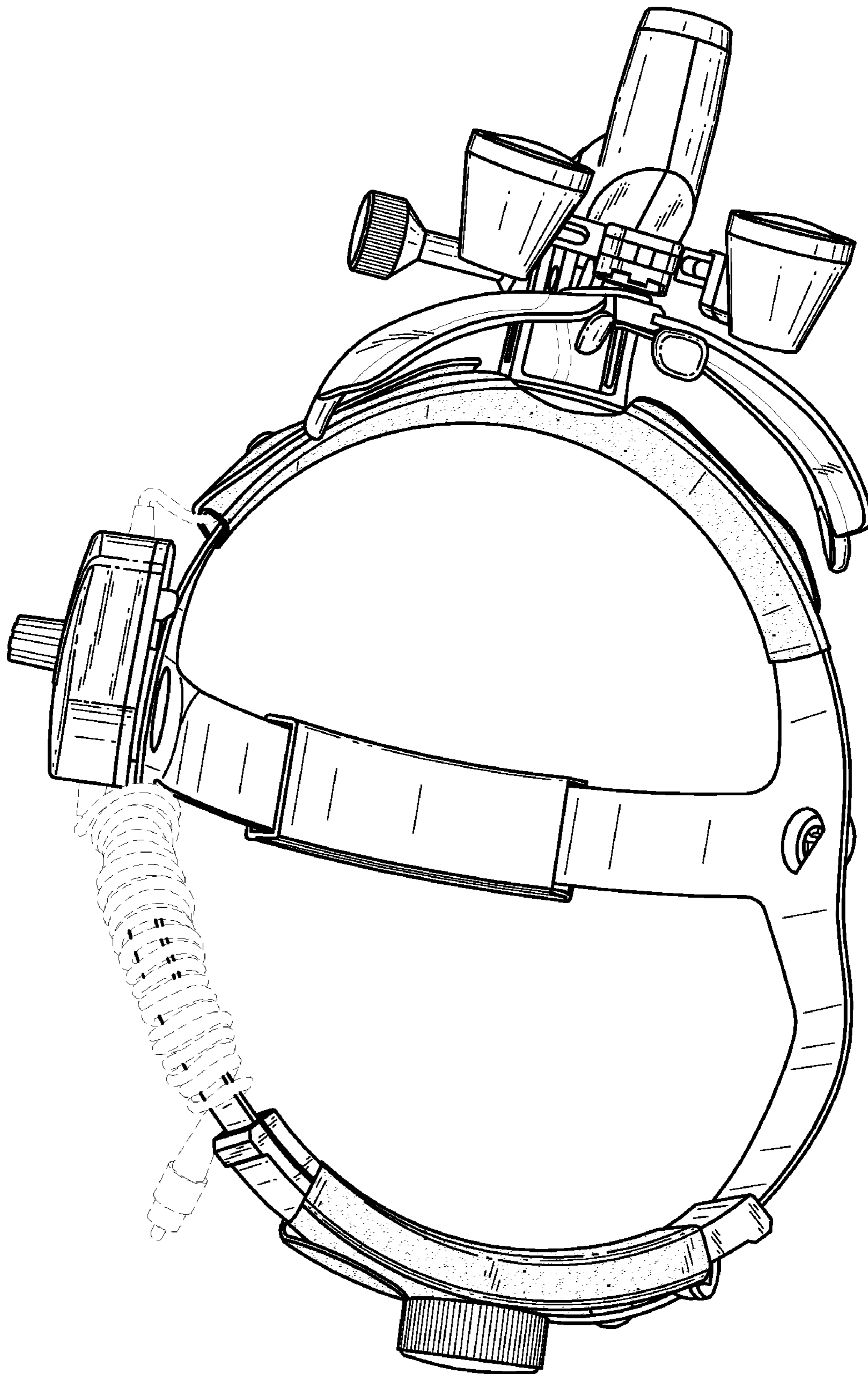


FIG. 7