



US00D608475S

(12) **United States Design Patent**
Simmons

(10) **Patent No.:** **US D608,475 S**
(45) **Date of Patent:** **** *Jan. 19, 2010**

(54) **ROOF TILE HAVING SIMULATED TWO-PIECE APPEARANCE**

(75) Inventor: **Troy Stanley Simmons**, Laguna Niguel, CA (US)

(73) Assignee: **MonierLifetile, LLC**, Irvine, CA (US)

(*) Notice: This patent is subject to a terminal disclaimer.

(**) Term: **14 Years**

(21) Appl. No.: **29/305,153**

(22) Filed: **Mar. 14, 2008**

Related U.S. Application Data

(63) Continuation of application No. 29/193,168, filed on Nov. 4, 2003, now Pat. No. Des. 567,966.

(51) **LOC (9) Cl.** **25-01**

(52) **U.S. Cl.** **D25/140**

(58) **Field of Classification Search** D25/140-141; 52/554-555, 518-519, 542, 537, 560
See application file for complete search history.

Primary Examiner—Catherine R Oliver

(74) *Attorney, Agent, or Firm*—Alston & Bird LLP

(57) **CLAIM**

The ornamental design is for roof tile having simulated two-piece appearance, as shown and described.

DESCRIPTION

FIG. 1 is a pictorial view of a first embodiment of the present invention showing the lower end of the tile in the front right foreground and generally facing the viewer;

FIG. 2 is a lower end elevational view;

FIG. 3 is an upper end elevational view;

FIG. 4 is a left side elevational view;

FIG. 5 is a right side elevational view;

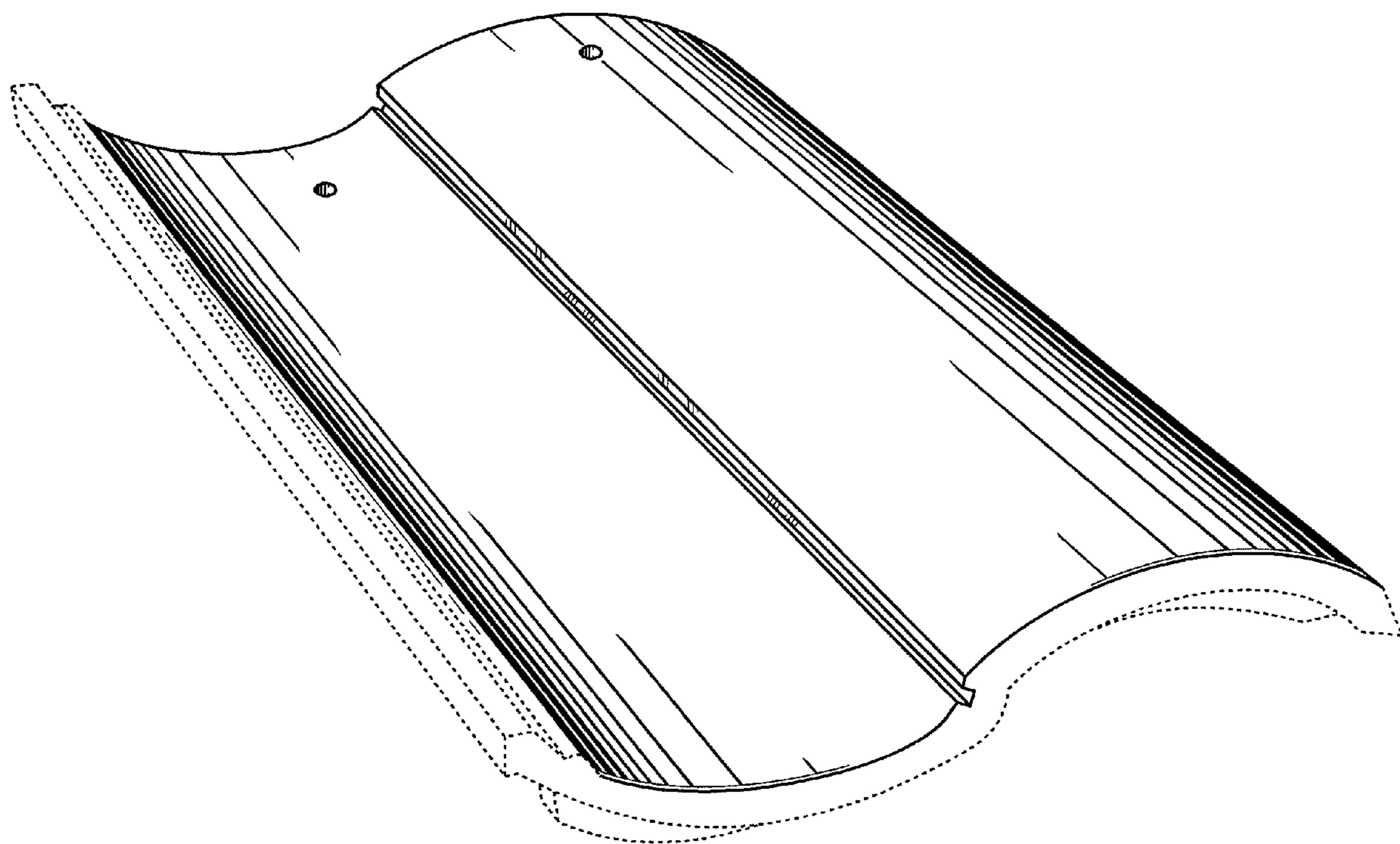
FIG. 6 is a top plan view, with the upper end of the tile being to the viewer's right;

FIG. 7 is a bottom plan view; with structural elements not claimed and shown in dotted line for purposes of showing environment;

FIG. 8 is a pictorial view of a second embodiment of the invention including a shaded portion accenting the visual impression of two tiles; and,

FIG. 9 is a top plan view of the embodiment of FIG. 8, with the upper end of the tile being to the viewer's right.

1 Claim, 7 Drawing Sheets



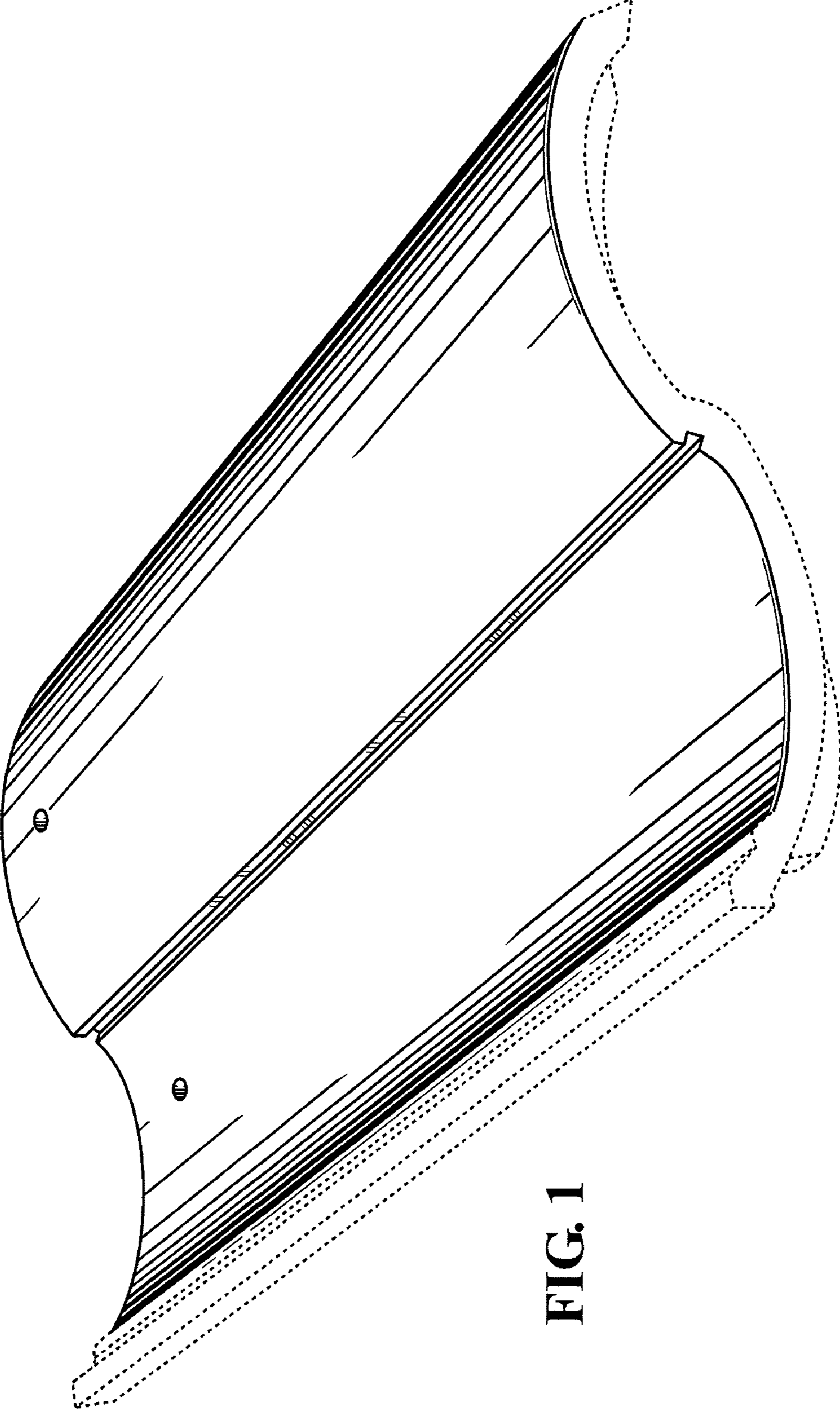


FIG. 1

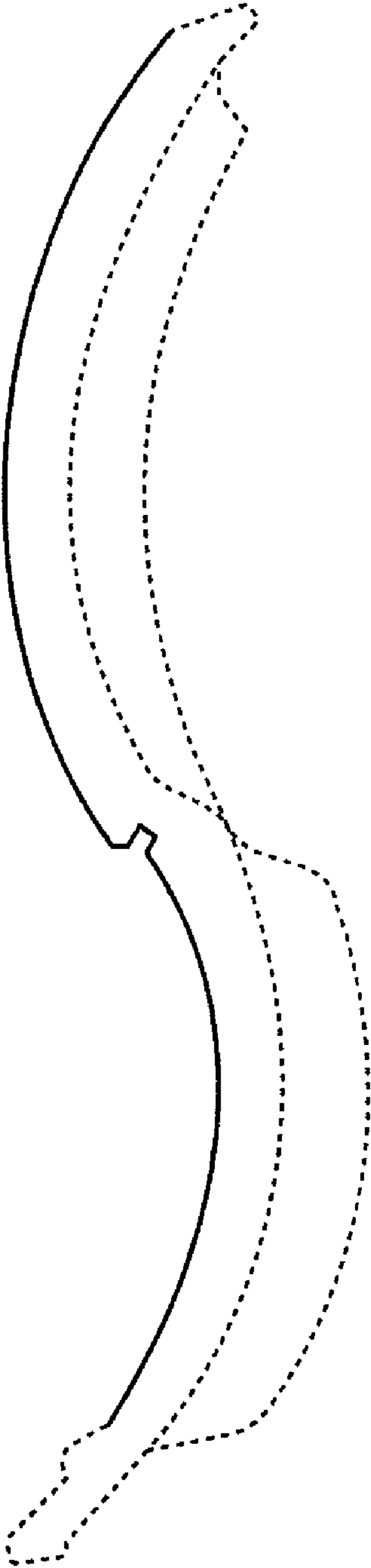


FIG. 2

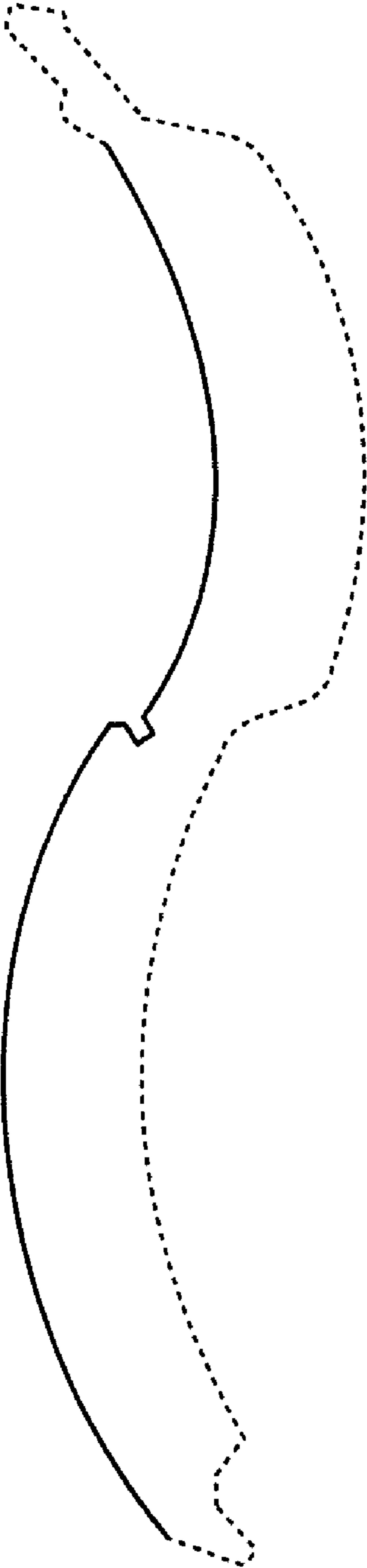


FIG. 3

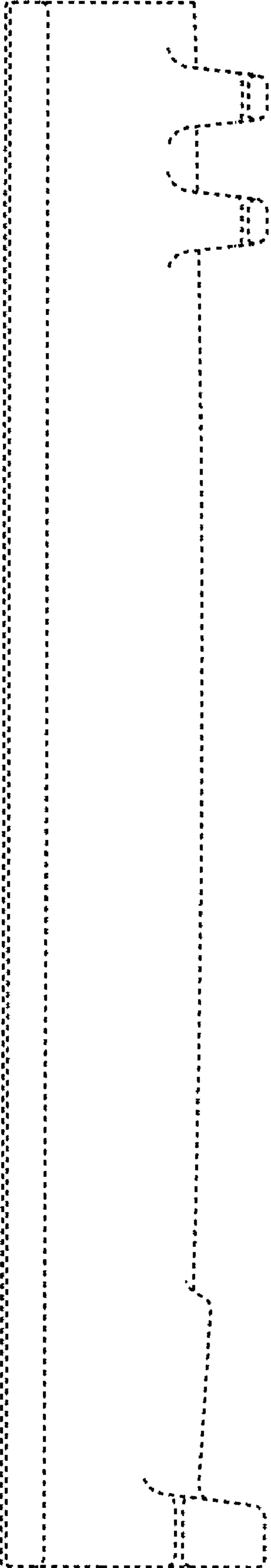


FIG. 4

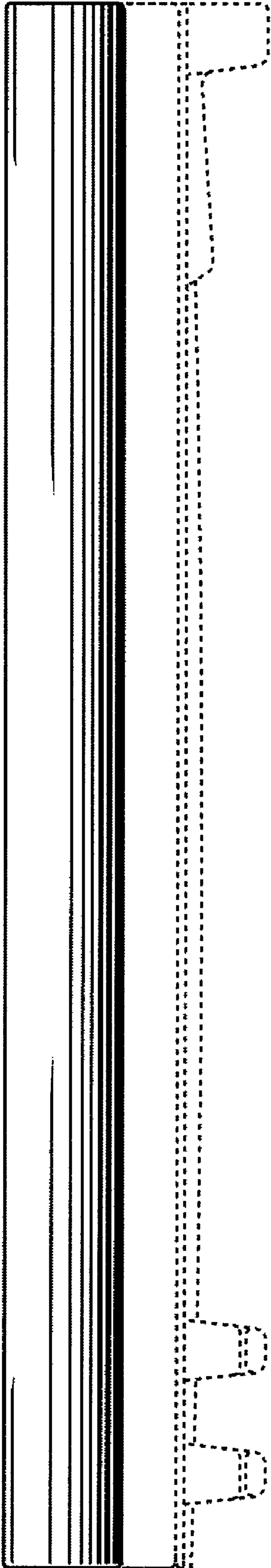


FIG. 5

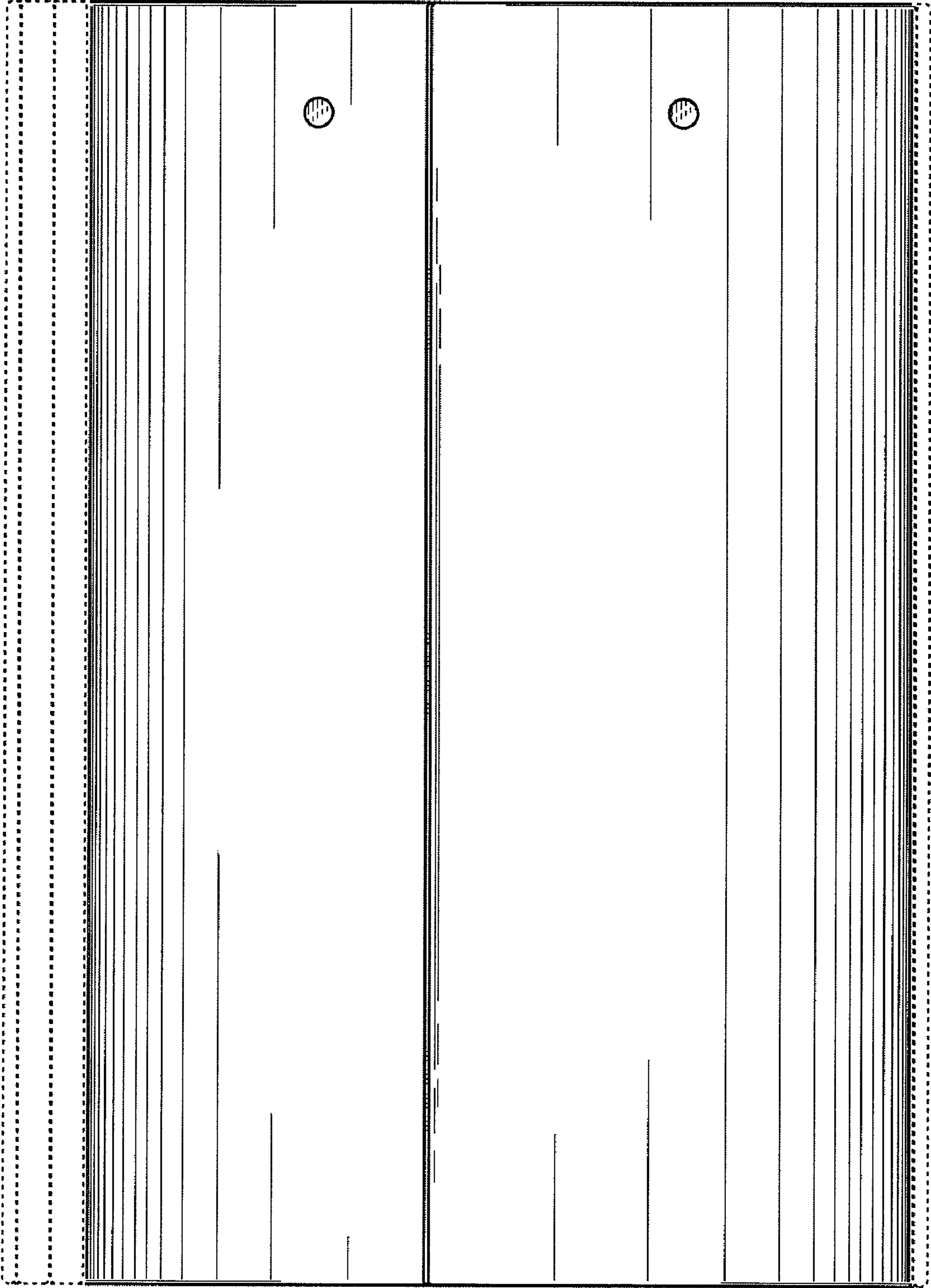


FIG. 6

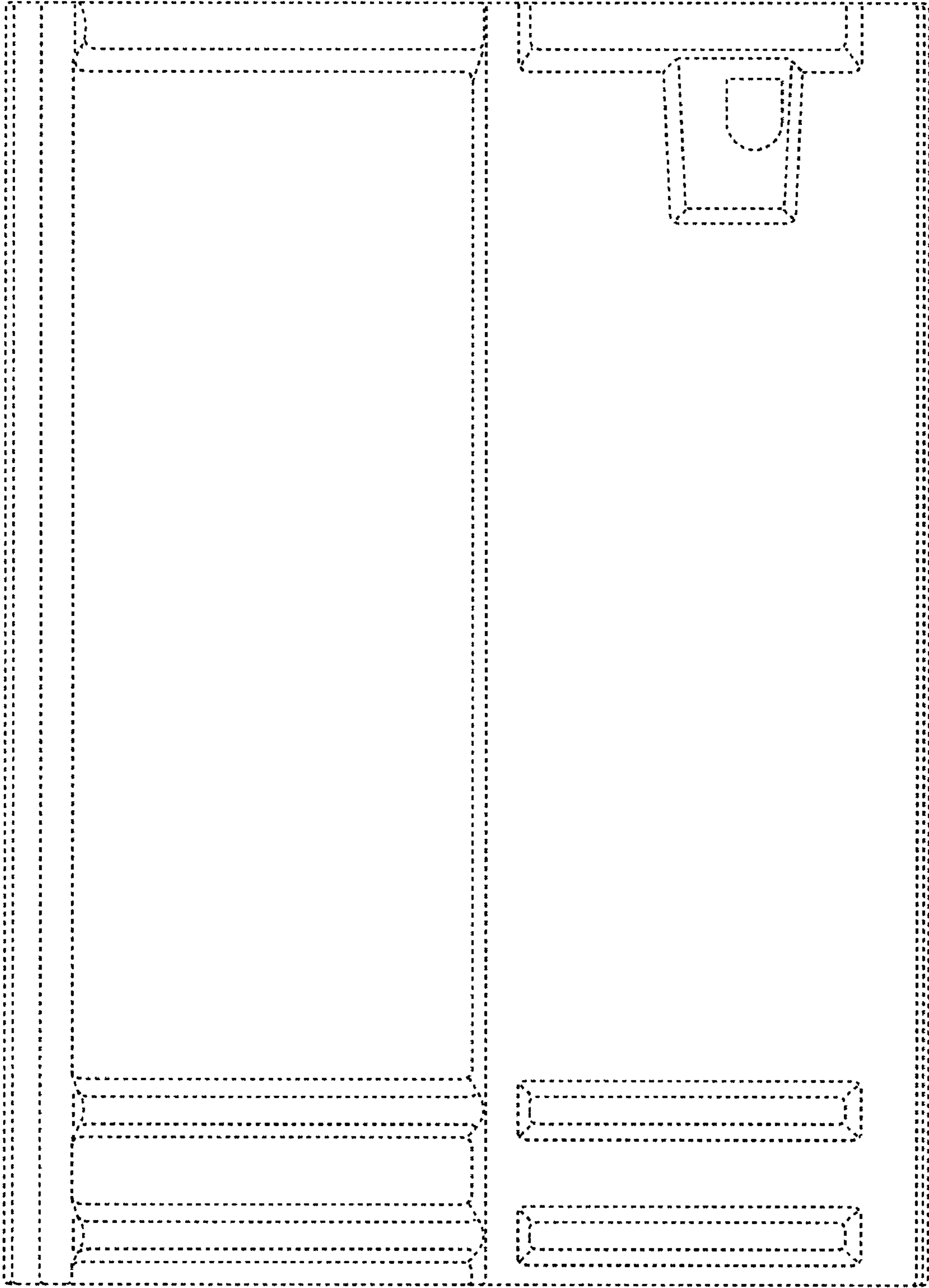


FIG. 7

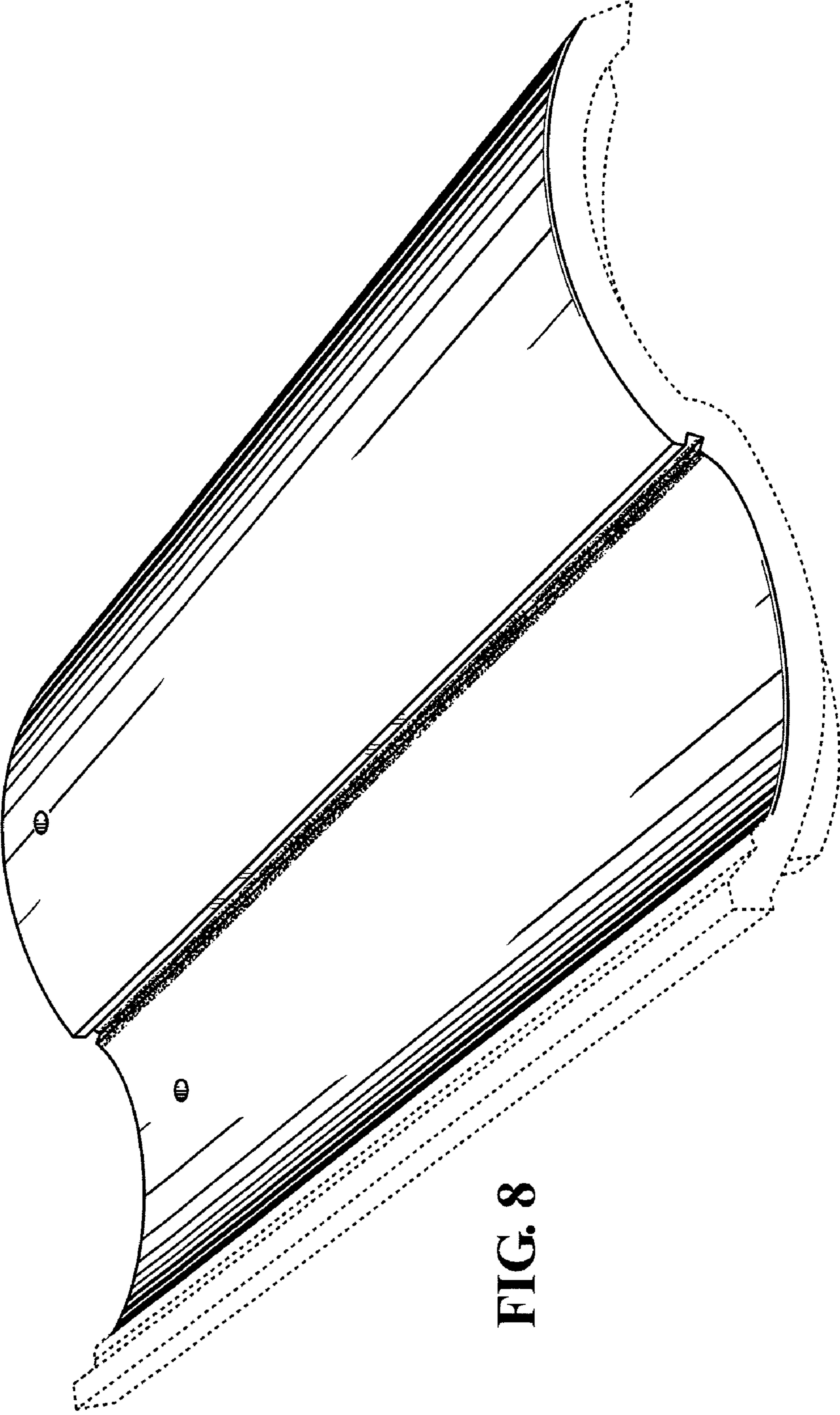


FIG. 8

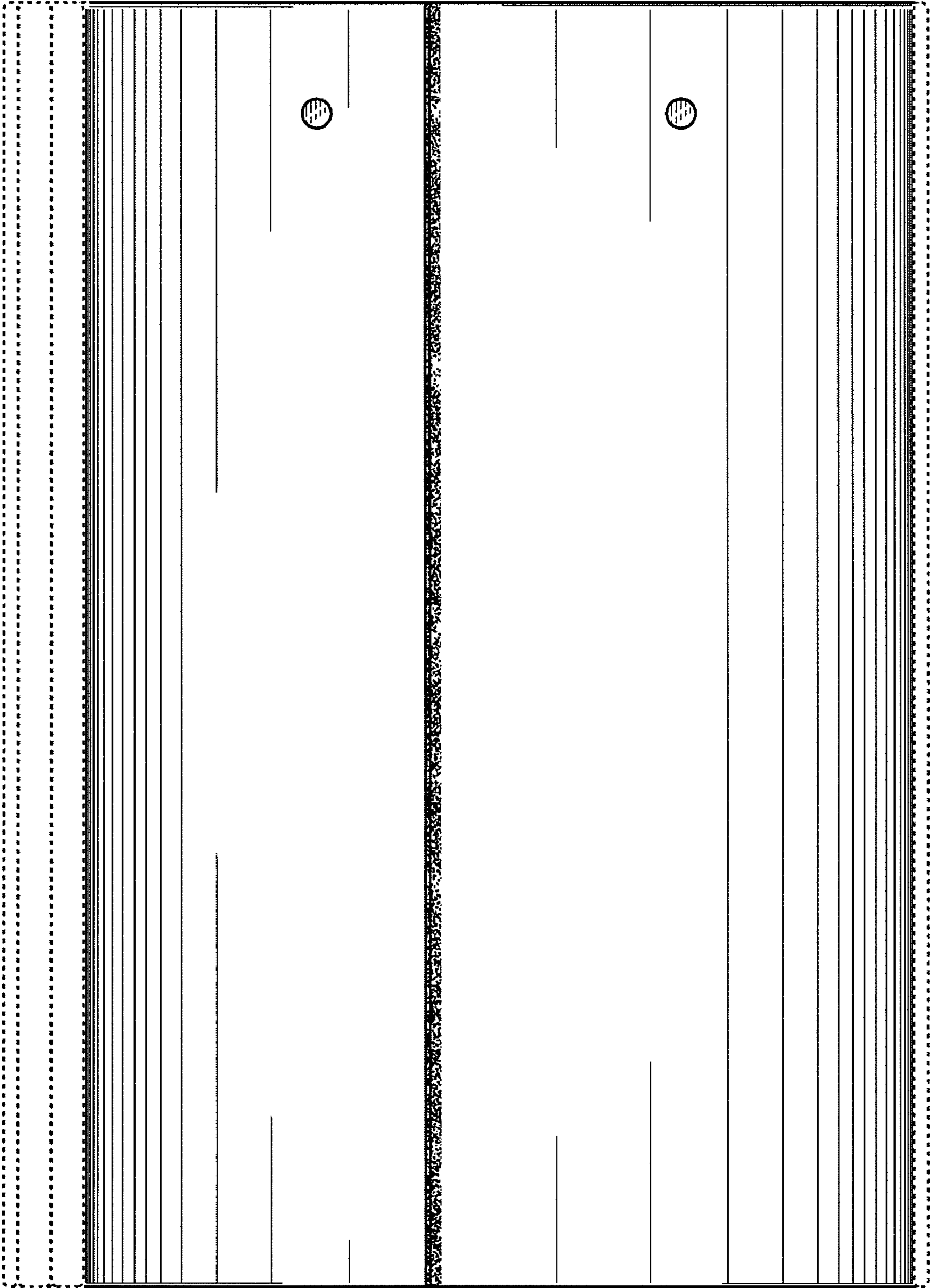


FIG. 9

UNITED STATES PATENT AND TRADEMARK OFFICE
CERTIFICATE OF CORRECTION

PATENT NO. : D608,475 S
APPLICATION NO. : 29/305153
DATED : January 19, 2010
INVENTOR(S) : Simmons

Page 1 of 1

It is certified that error appears in the above-identified patent and that said Letters Patent is hereby corrected as shown below:

Title Page

Item “(63) Continuation of application No. 29/193,168, filed on Nov. 4, 2003, now Pat. No. Des. 567,966.” should read

Item --(63) Continuation of application No. 29/193,168, filed on Nov. 4, 2003, now Pat. No. Des. 567,966, which is a continuation of application No. 10/656,893, filed on Sep. 4, 2003, now Pat. No. 7,320,774, which is a continuation-in-part of application No. 10/347,663, filed on Jan. 21, 2003, now abandoned.--

Signed and Sealed this
Sixth Day of March, 2012

A handwritten signature in black ink that reads "David J. Kappos". The signature is written in a cursive style with a large initial "D" and "K".

David J. Kappos
Director of the United States Patent and Trademark Office