



US00D608473S

(12) **United States Design Patent**
Larson

(10) **Patent No.:** **US D608,473 S**

(45) **Date of Patent:** **** Jan. 19, 2010**

(54) **LINEAR WALL PANEL**

D343,259 S * 1/1994 Kovatch D25/156
D433,165 S * 10/2000 Moreau et al. D25/156

(75) Inventor: **Mitch Larson**, Sparta, WI (US)

* cited by examiner

(73) Assignee: **Gage Corporation, Int.**, Sparta, WI (US)

Primary Examiner—Catherine R Oliver
(74) *Attorney, Agent, or Firm*—Charles S. Sara, Esq.; DeWitt Ross & Stevens, S.C.

(**) Term: **14 Years**

(21) Appl. No.: **29/332,093**

(57) **CLAIM**

(22) Filed: **Feb. 9, 2009**

The ornamental design for a linear wall panel, as shown and described.

(51) **LOC (9) Cl.** **25-01**

(52) **U.S. Cl.** **D25/138**

(58) **Field of Classification Search** D25/138–164,
D25/100, 121; 52/518–530, 533–536, 539,
52/541–542, 545, 547, 555, 557, 578, 674;
D5/53

DESCRIPTION

See application file for complete search history.

FIG. 1 is a front perspective view of a linear wall panel showing my design;

FIG. 2 is a front elevational view thereof.

FIG. 3 is a left side elevational view, the right side elevational view being a mirror image.

FIG. 4 is a top plan view thereof, the bottom plan view being a mirror image; and,

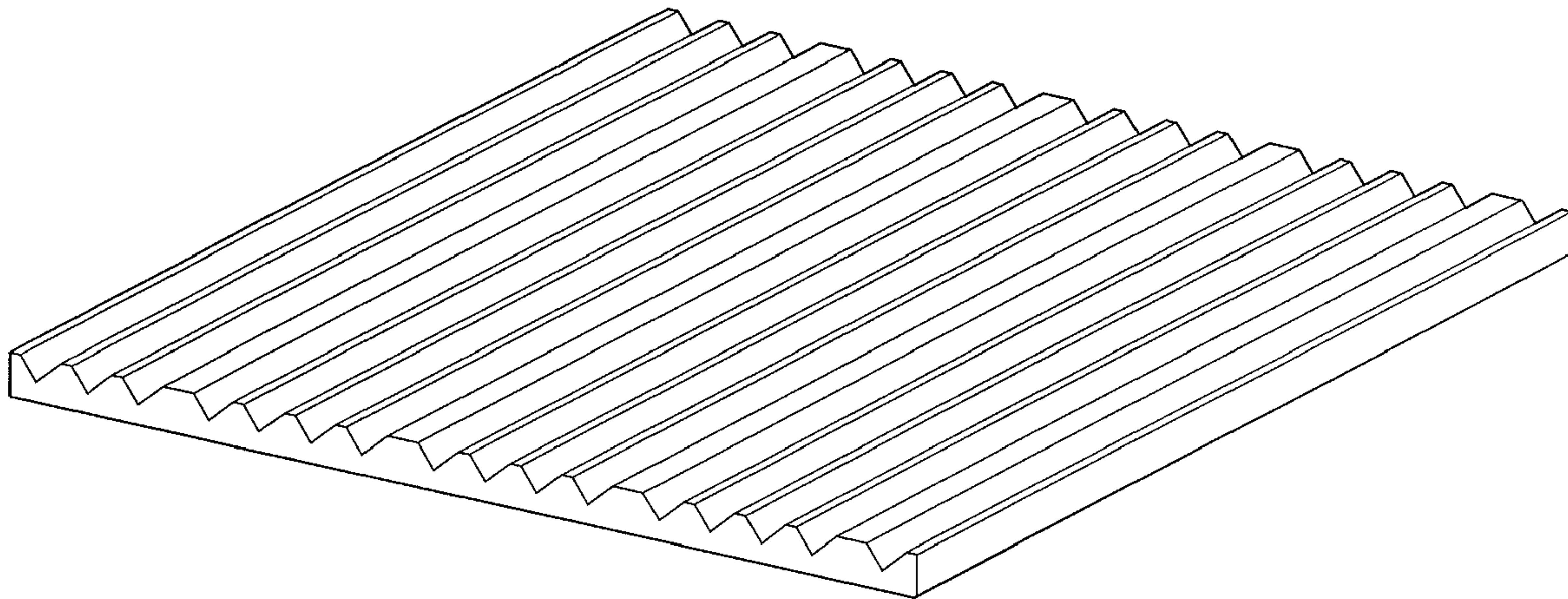
FIG. 5 is a rear elevational view thereof.

(56) **References Cited**

U.S. PATENT DOCUMENTS

D222,895 S * 1/1972 Zampetti et al. D25/156
D282,105 S * 1/1986 Moreau D25/156
4,695,033 A * 9/1987 Imaeda et al. 52/674

1 Claim, 4 Drawing Sheets



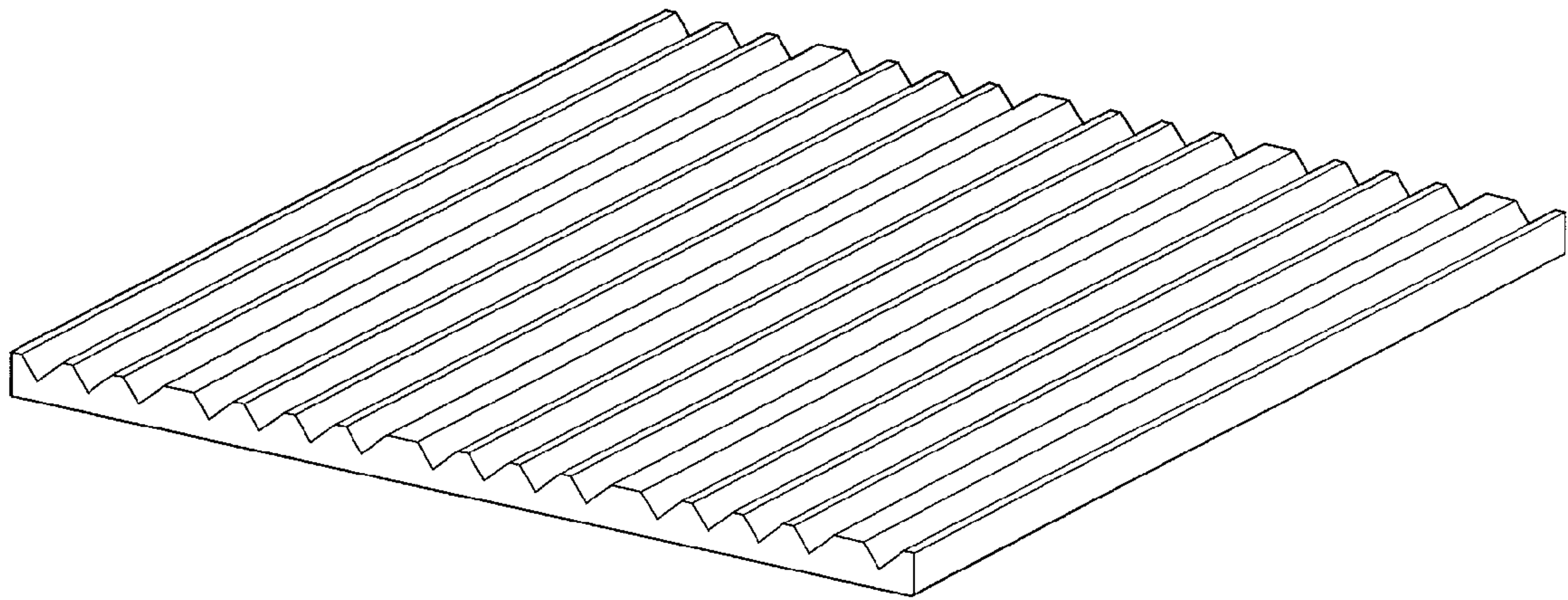


FIG. 1

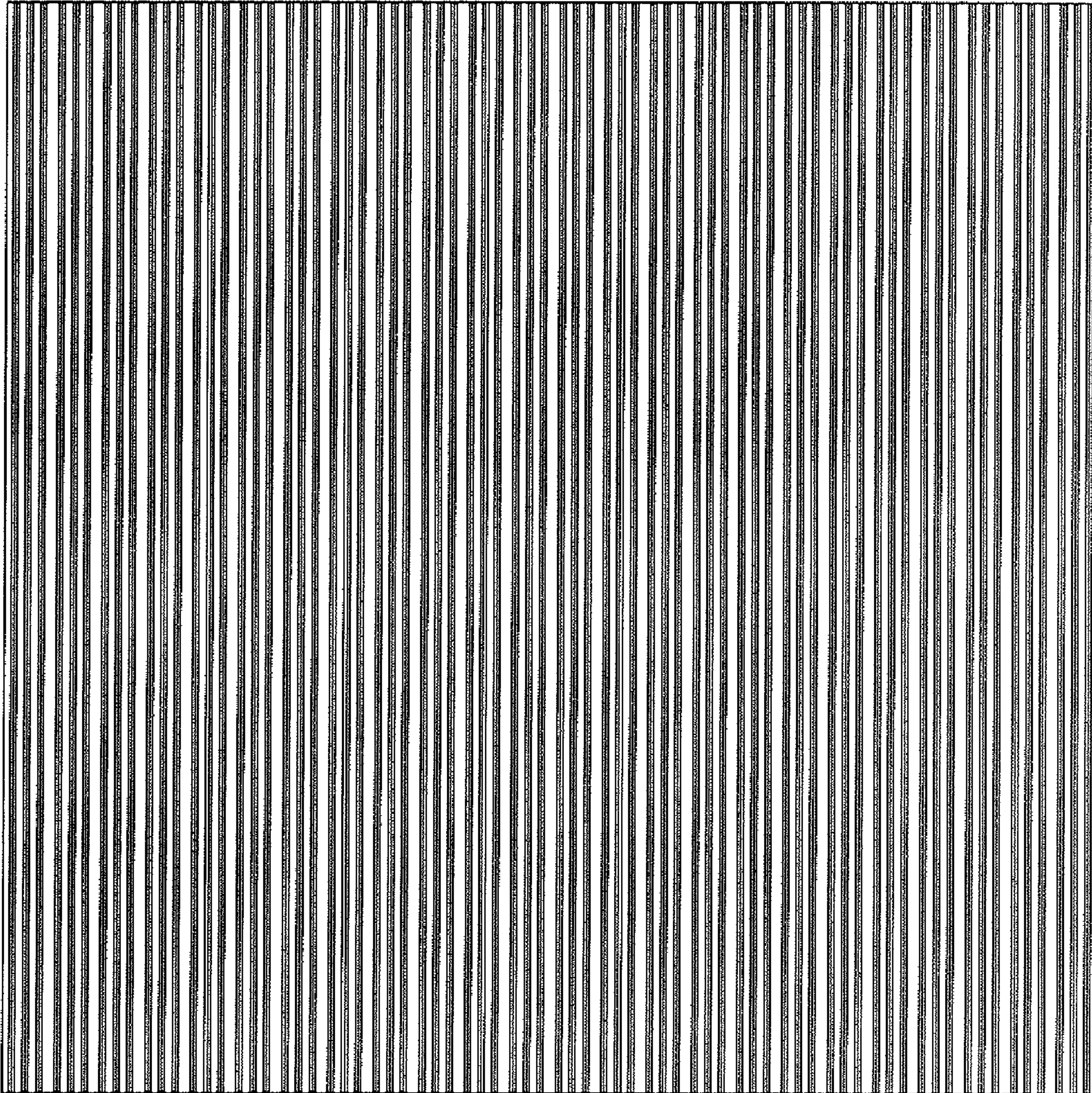


FIG. 2



FIG. 3

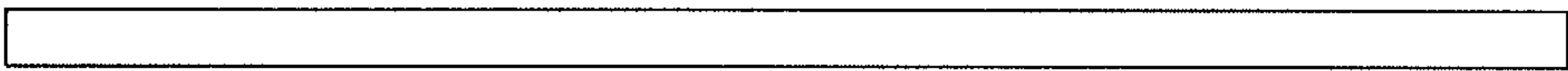


FIG. 4

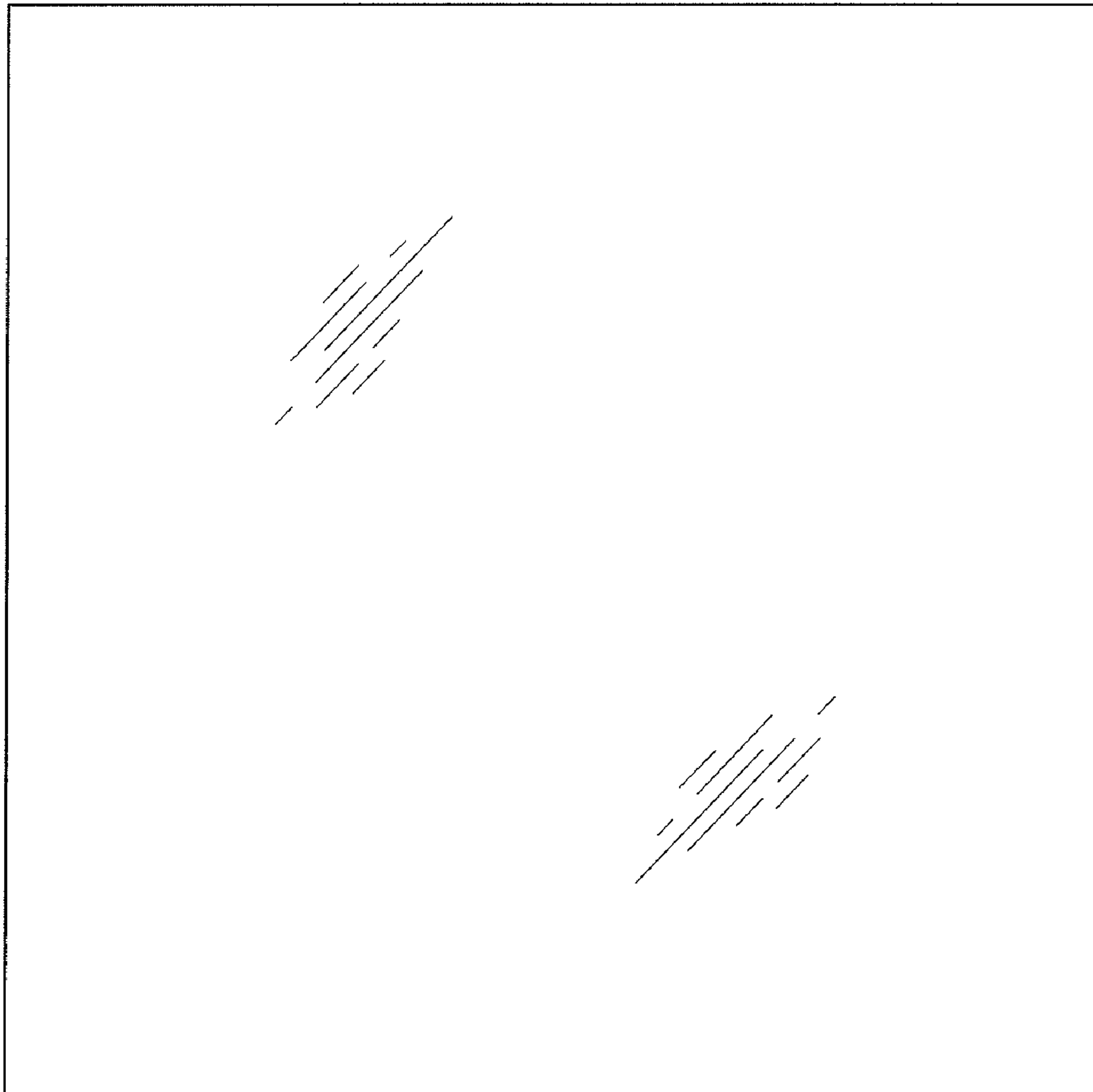


FIG. 5