



US00D608471S

(12) **United States Design Patent**  
**Brown**

(10) **Patent No.:** **US D608,471 S**  
(45) **Date of Patent:** **\*\* Jan. 19, 2010**

(54) **U-SHAPED METAL FENCE POST**

(57) **CLAIM**

(76) Inventor: **Dennis Brown**, 2238 Gold River Rd.,  
Units N. & W., Rancho Cordova, CA  
(US) 95670

The ornamental design for u-shaped metal fence post, as shown and described.

(\*\*) Term: **14 Years**

**DESCRIPTION**

(21) Appl. No.: **29/307,915**

FIG. 1 is a perspective view of the u-shaped metal fence post.  
FIG. 2 is a front elevation view.

(22) Filed: **May 21, 2008**

FIG. 3 is a left side elevation view, the right side being identical thereto.

(51) **LOC (9) Cl.** ..... **25-01**

FIG. 4 is a rear elevation view.

(52) **U.S. Cl.** ..... **D25/126**

FIG. 5 is an enlarged top plan view.

(58) **Field of Classification Search** ..... D25/126,

FIG. 6 is a fragmented enlarged upper left side view of FIG. 3.

D25/38; 52/831, 301; 256/65.14

FIG. 7 is a fragmented enlarged upper perspective view of FIG. 1.

See application file for complete search history.

FIG. 8 is a perspective view a second embodiment of the u-shaped metal fence post.

(56) **References Cited**

FIG. 9 is a left side elevation view, the right side being identical thereto.

**U.S. PATENT DOCUMENTS**

FIG. 10 is a front perspective view of a third embodiment of the u-shaped metal fence post.

3,841,609 A \* 10/1974 Smith ..... 256/59

FIG. 11 is a left side elevation view, the right side being identical thereto.

D431,659 S \* 10/2000 Bouchard ..... D25/126

FIG. 12 is an enlarged top plan view of FIG. 10.

6,666,625 B2 \* 12/2003 Thornton ..... 405/284

FIG. 13 is a fragmented enlarged upper left side view of figure of FIG. 11; and,

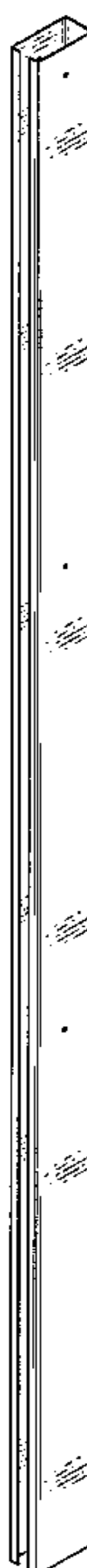
\* cited by examiner

FIG. 14 is a fragmented enlarged upper perspective view of FIG. 10.

*Primary Examiner*—Doris Clark

(74) *Attorney, Agent, or Firm*—Mark C. Jacobs

**1 Claim, 2 Drawing Sheets**

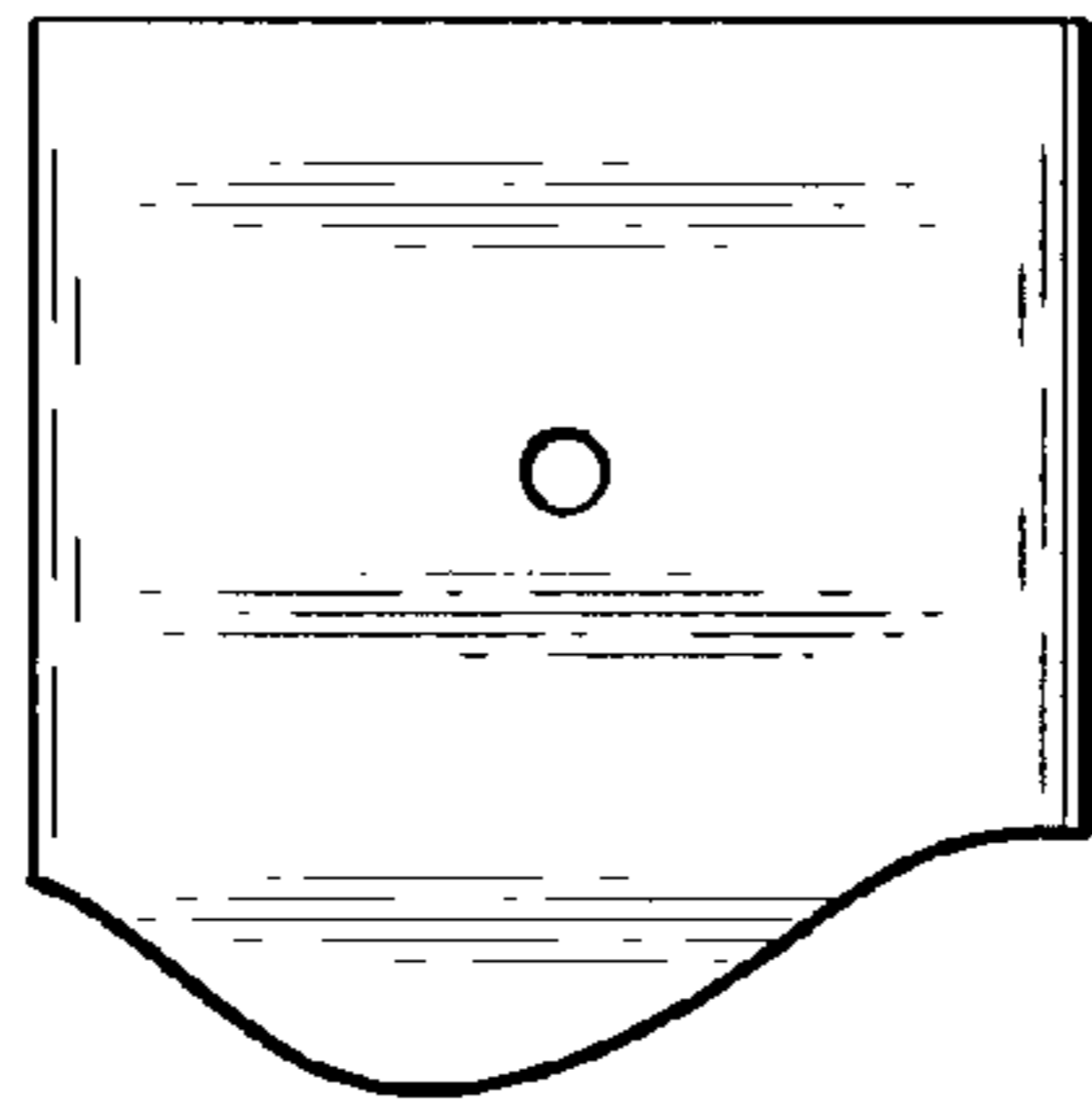




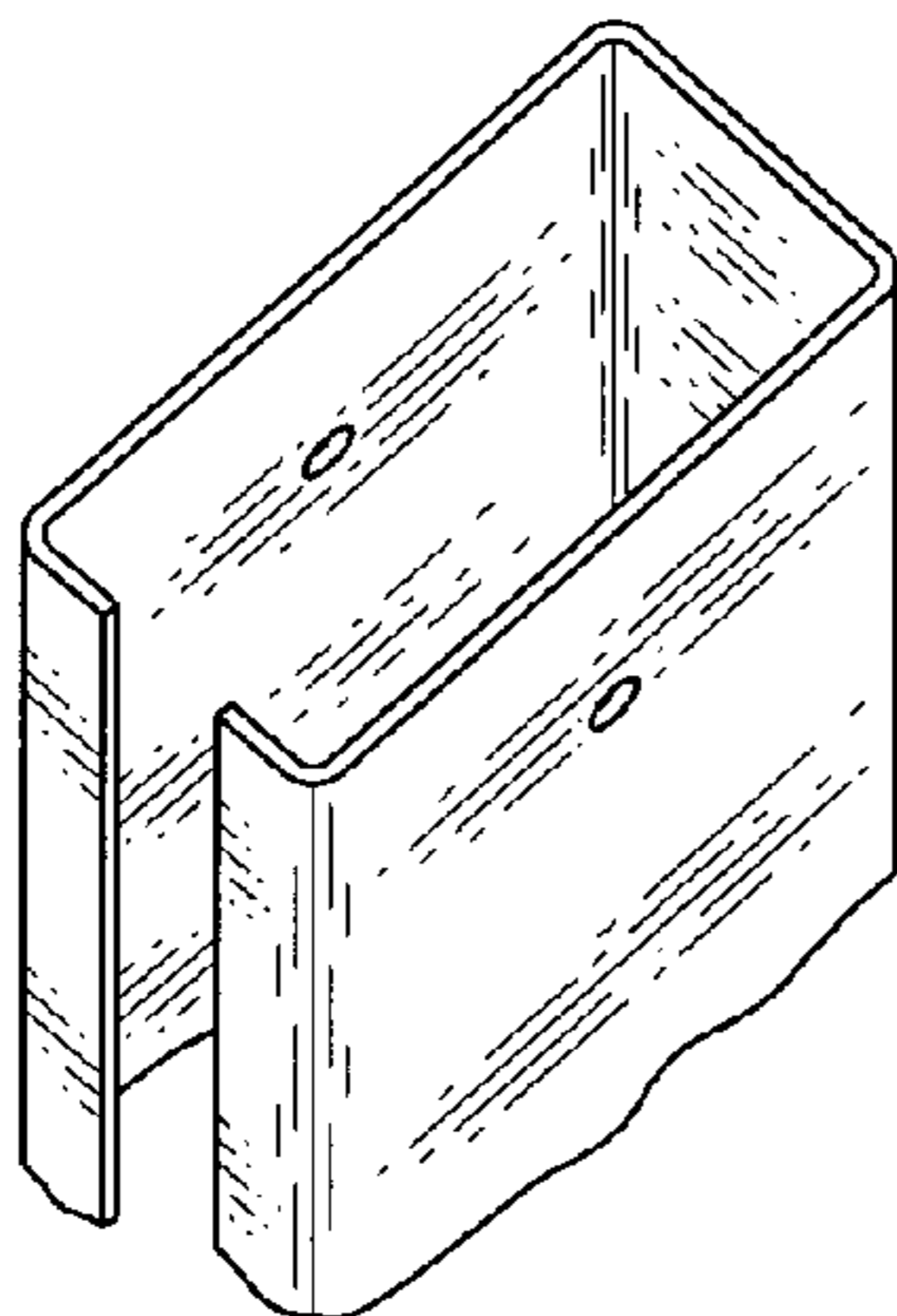
*Fig. 1*



*Fig. 5*



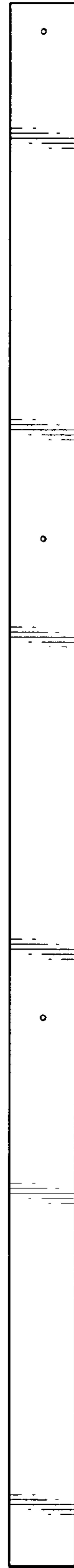
*Fig. 6*



*Fig. 7*



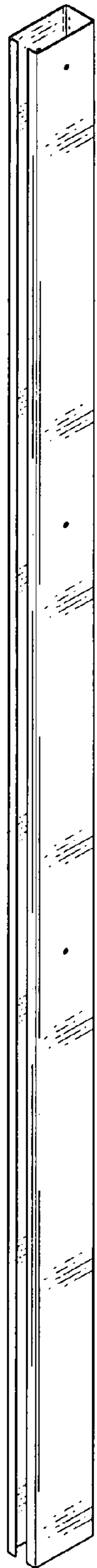
*Fig. 2*



*Fig. 3*



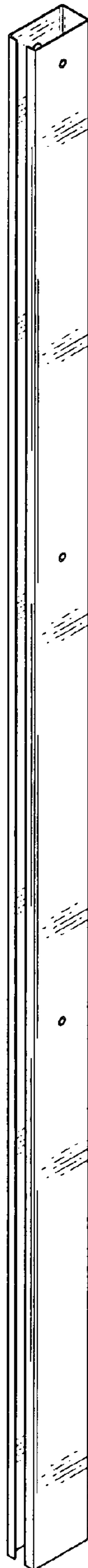
*Fig. 4*



*Fig. 8*



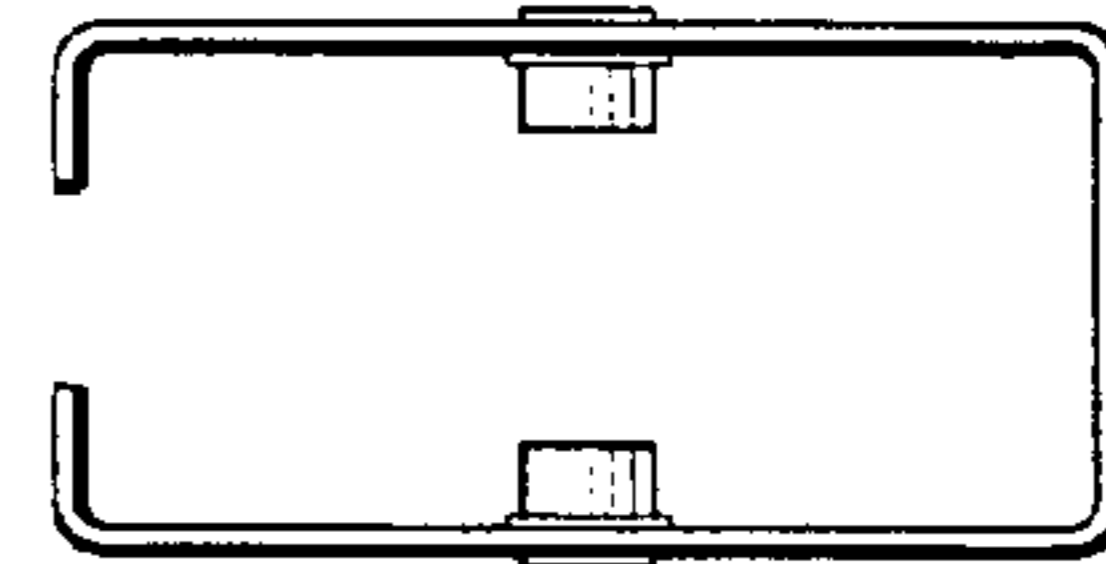
*Fig. 9*



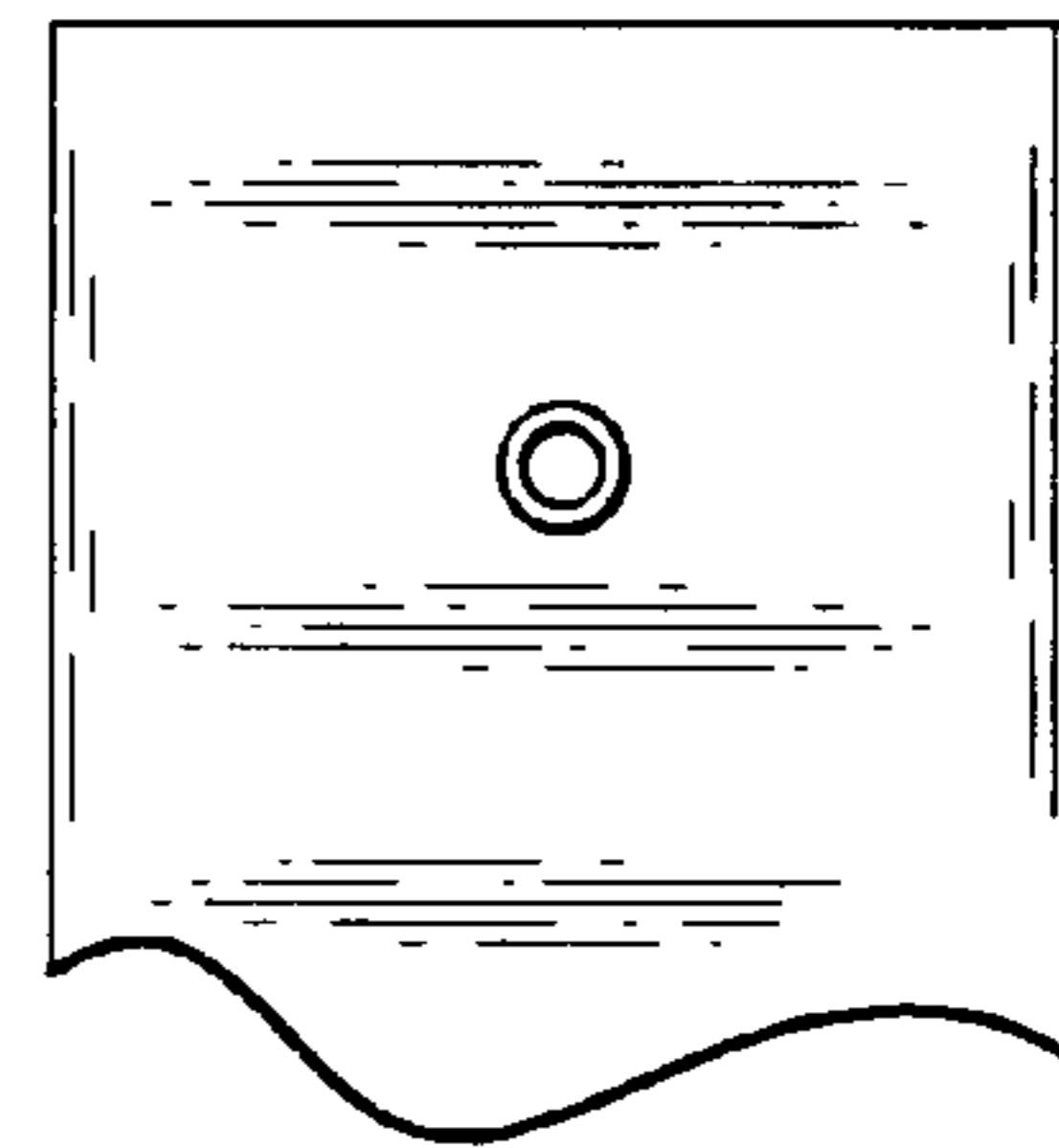
*Fig. 10*



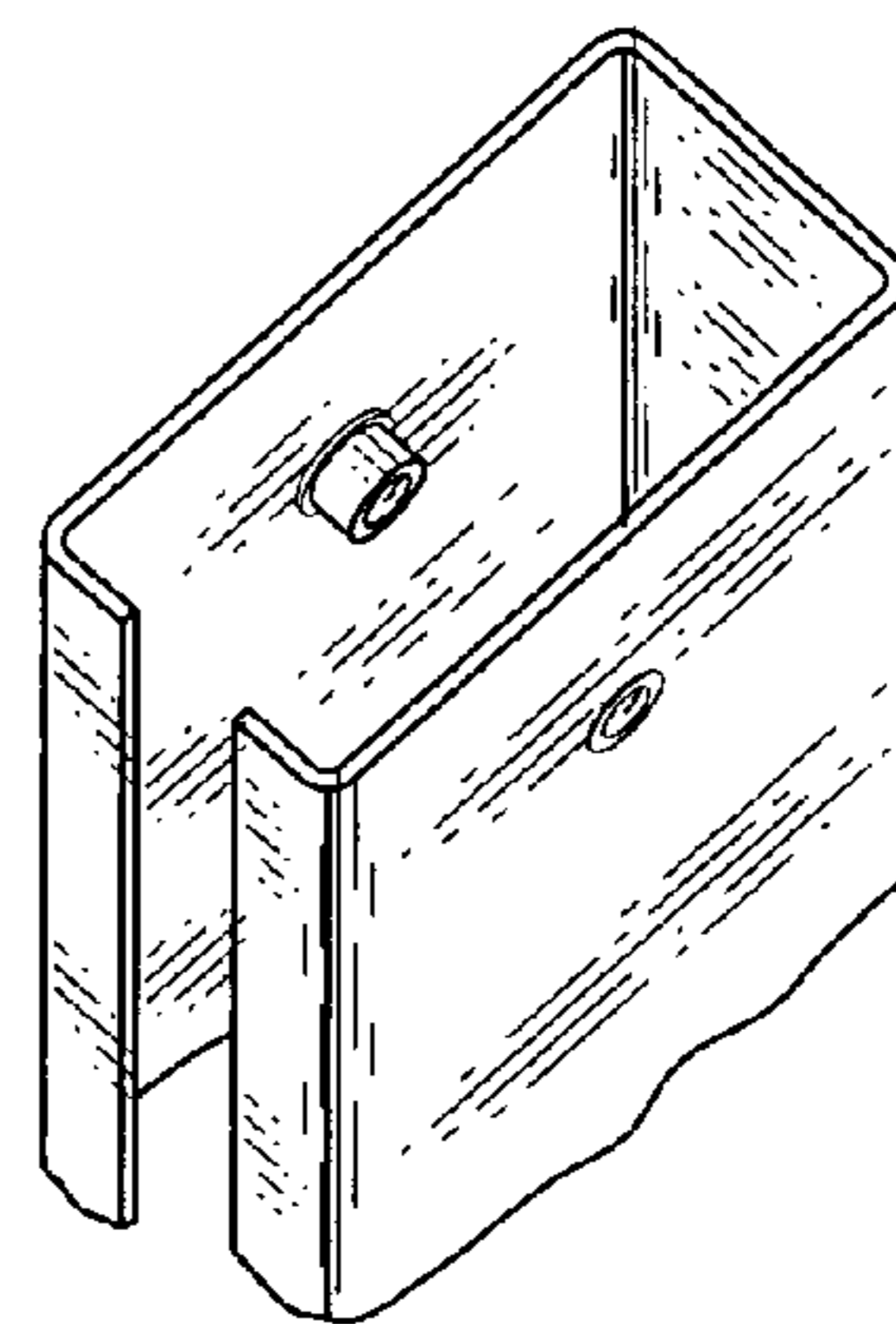
*Fig. 11*



*Fig. 12*



*Fig. 13*



*Fig. 14*