



US00D608470S

(12) **United States Design Patent**
Naccarato et al.

(10) **Patent No.:** **US D608,470 S**
(45) **Date of Patent:** **** Jan. 19, 2010**

(54) **DECK ELEMENT**

(75) Inventors: **John R. Naccarato**, Sault St. Marie (CA); **Joseph A. Severini**, Sault St. Marie (CA)

(73) Assignee: **CaSata Technologies Inc.**, Sault Ste. Marie (CA)

(**) Term: **14 Years**

(21) Appl. No.: **29/332,046**

(22) Filed: **Feb. 6, 2009**

(51) **LOC (9) Cl.** **25-01**

(52) **U.S. Cl.** **D25/125**

(58) **Field of Classification Search** D25/579,
D25/520, 87, 181, 177; 405/201, 4
See application file for complete search history.

(56) **References Cited**

U.S. PATENT DOCUMENTS

| | | | | | |
|-----------|-----|---------|------------------|-------|---------|
| 1,091,214 | A * | 3/1914 | Gruber | | 280/169 |
| 2,180,317 | A | 11/1939 | Davis | | |
| 2,899,028 | A | 8/1959 | Walker | | |
| 2,933,056 | A | 4/1960 | Martin | | |
| 3,062,338 | A | 11/1962 | De Ridder et al. | | |
| 4,454,695 | A | 6/1984 | Person | | |
| 4,741,134 | A | 5/1988 | Stohs | | |
| 4,741,138 | A | 5/1988 | Rongoe, Jr. | | |
| D361,141 | S * | 8/1995 | Ueki | | D25/125 |
| 5,685,118 | A | 11/1997 | Simpson | | |
| 5,697,197 | A | 12/1997 | Simpson | | |
| 5,941,035 | A | 8/1999 | Purse | | |

| | | | | | |
|--------------|------|---------|-----------------|-------|----------|
| 6,226,950 | B1 * | 5/2001 | Davis | | 52/592.1 |
| D459,818 | S * | 7/2002 | Chaney et al. | | D25/125 |
| D479,007 | S * | 8/2003 | Biro | | D25/125 |
| 6,889,478 | B1 | 5/2005 | Simpson | | |
| 2002/0069606 | A1 | 6/2002 | Gosselin et al. | | |
| 2004/0079041 | A1 * | 4/2004 | Bergeron et al. | | 52/489.1 |
| 2005/0284058 | A1 | 12/2005 | Zeng et al. | | |

FOREIGN PATENT DOCUMENTS

| | | | |
|----|----------------|----|--------|
| CA | 2439353 | A1 | 9/2002 |
| WO | WO 002/38885 | A1 | 5/2002 |
| WO | WO 2008/000075 | A1 | 1/2008 |

* cited by examiner

Primary Examiner—Doris Clark

(74) *Attorney, Agent, or Firm*—John R. S. Orange; Blake, Cassels & Graydon LLP

(57) **CLAIM**

The ornamental design of a deck element, as shown and described.

DESCRIPTION

FIG. 1 is a perspective view.

FIG. 2 is a rear elevation.

FIG. 3 is a front elevation.

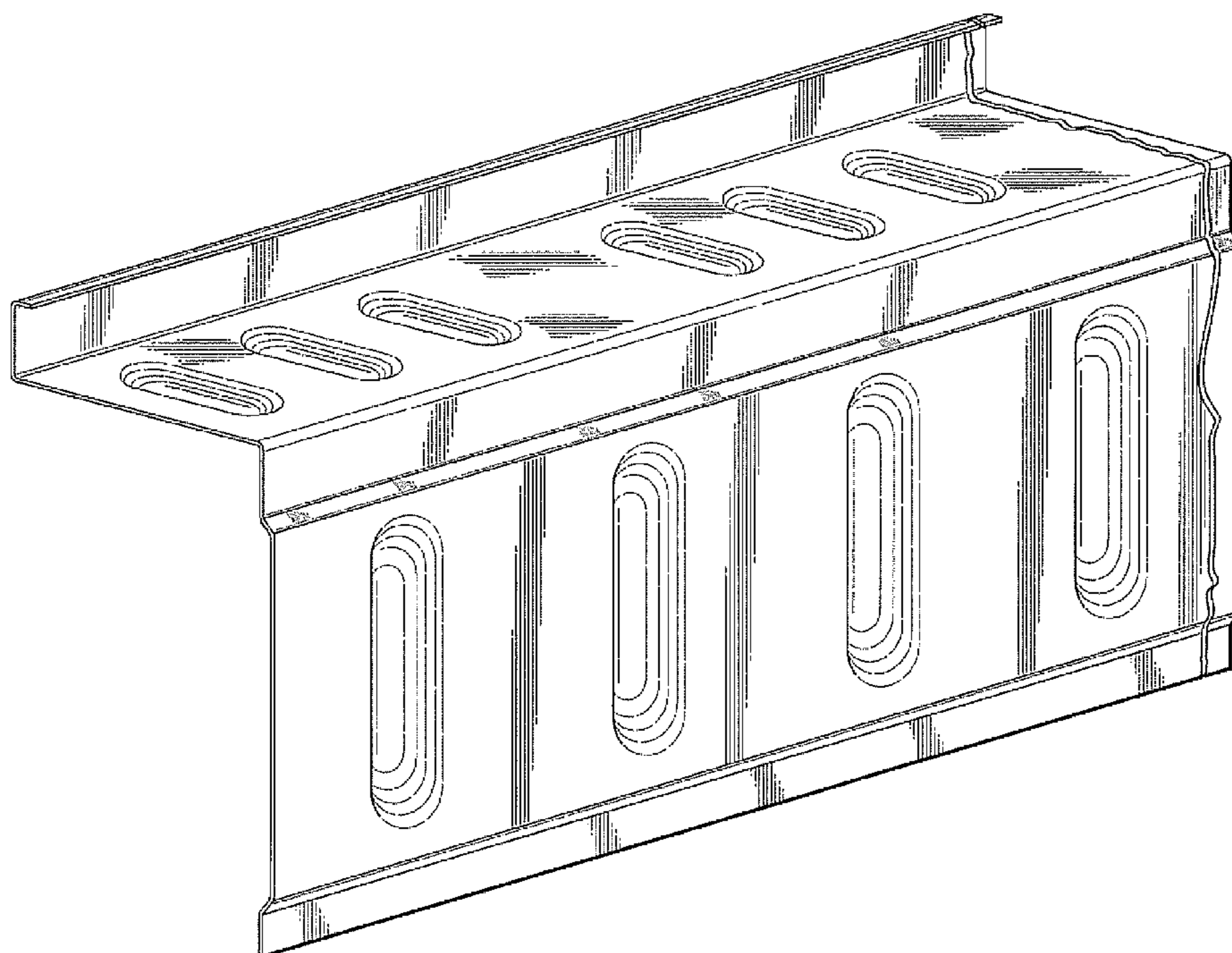
FIG. 4 is a plan view.

FIG. 5 is a view from below.

FIG. 6 is an end view; and,

FIG. 7 is a view from an opposite end.

1 Claim, 5 Drawing Sheets



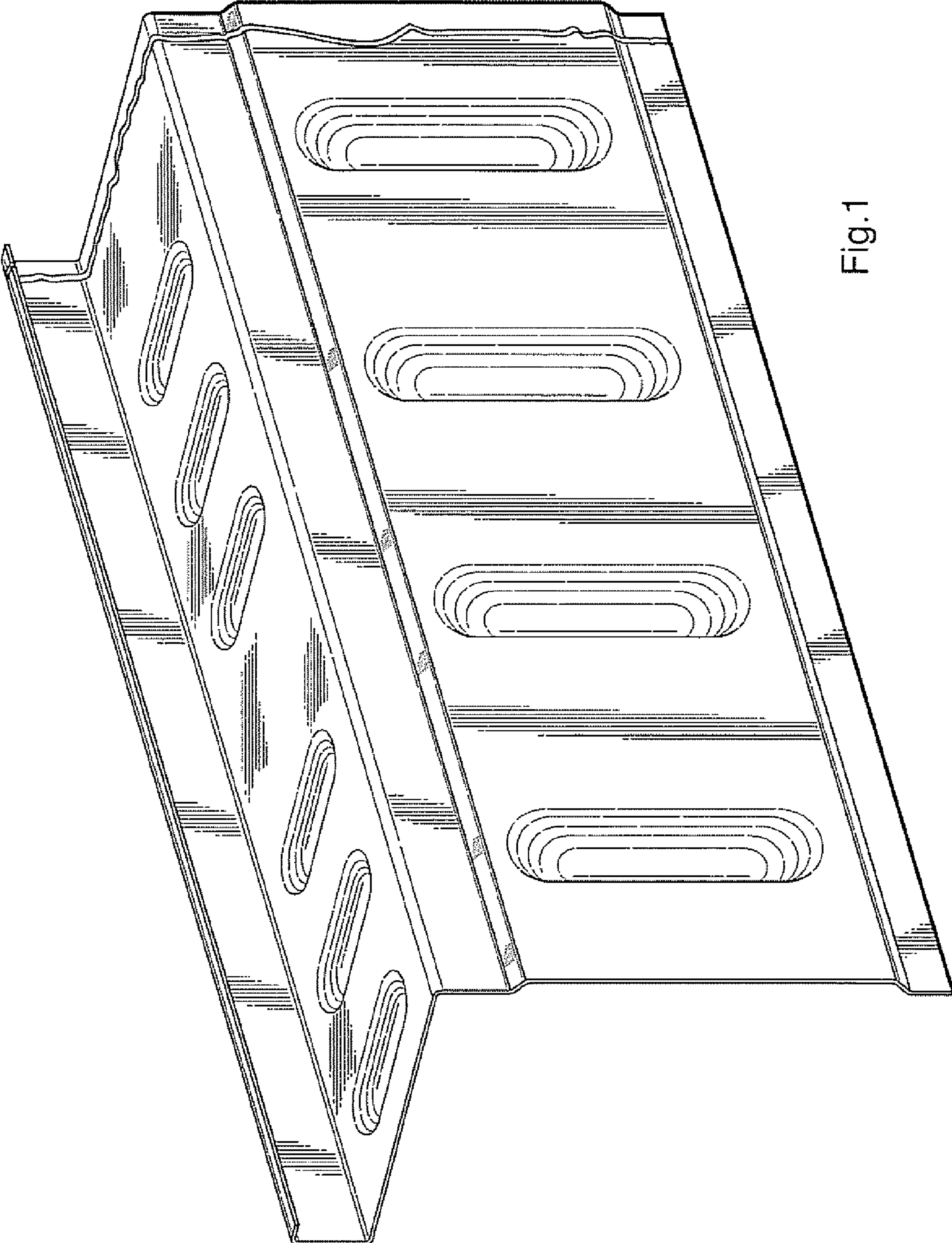


Fig. 1

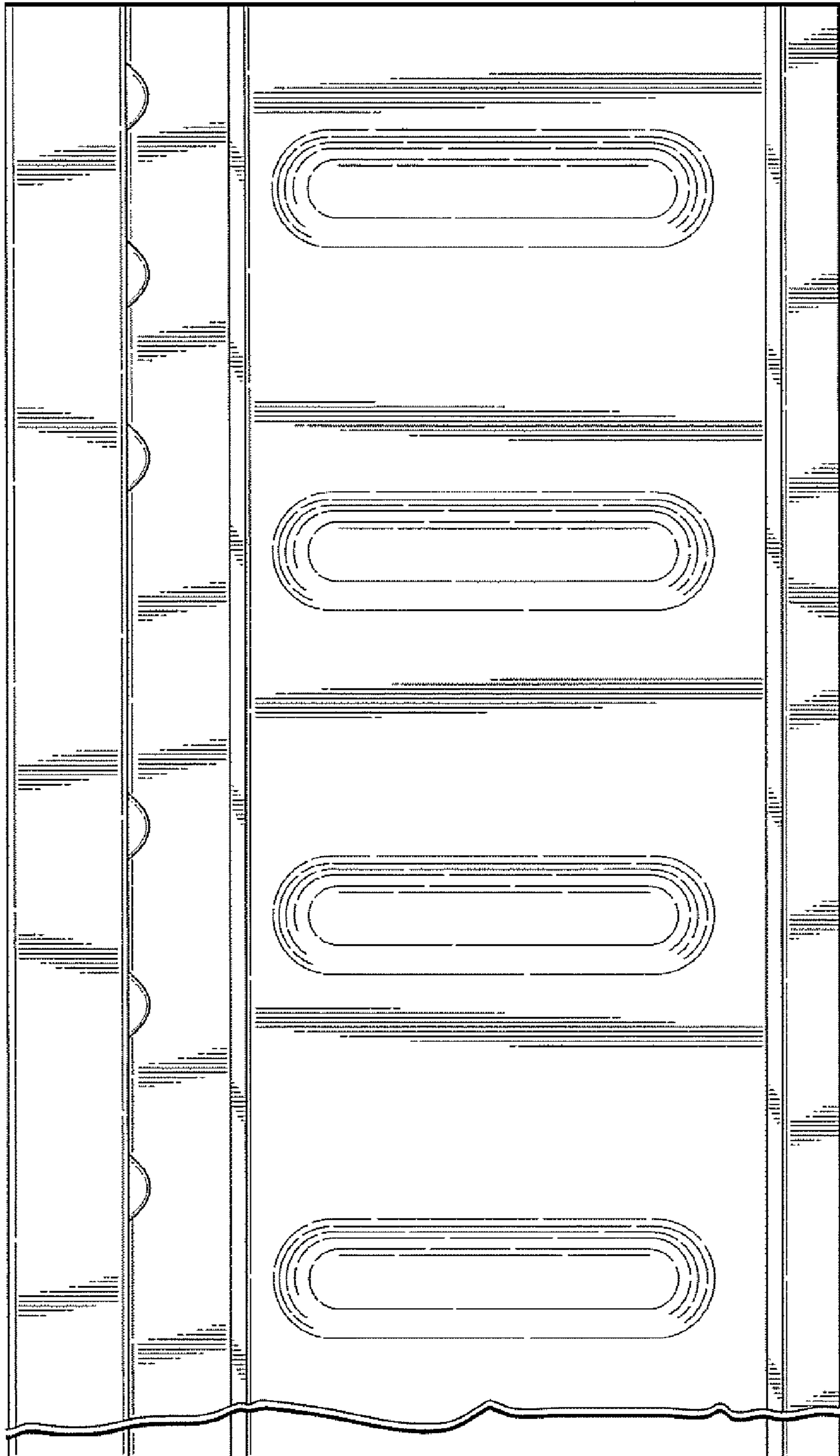


Fig.2

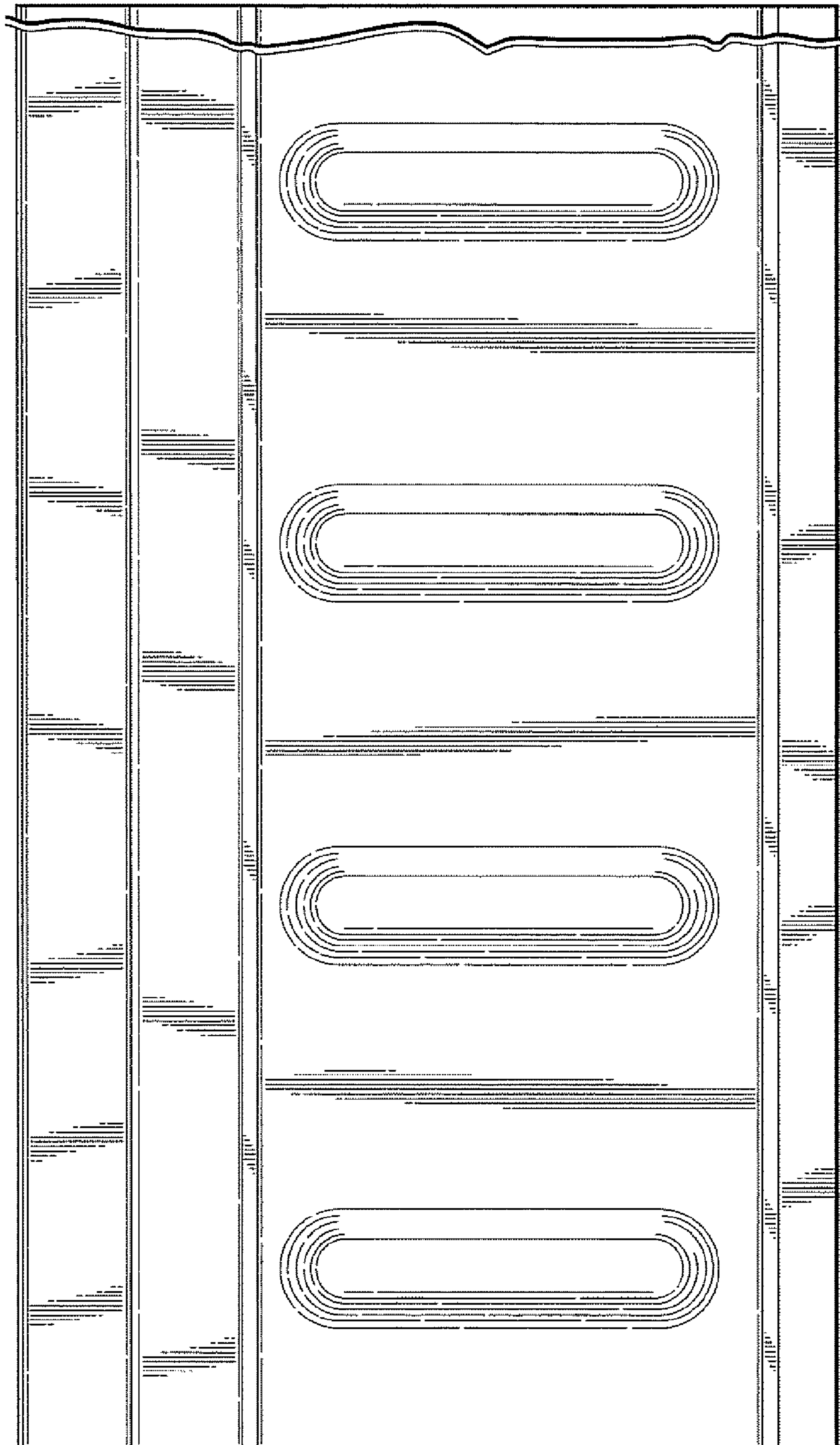


Fig.3

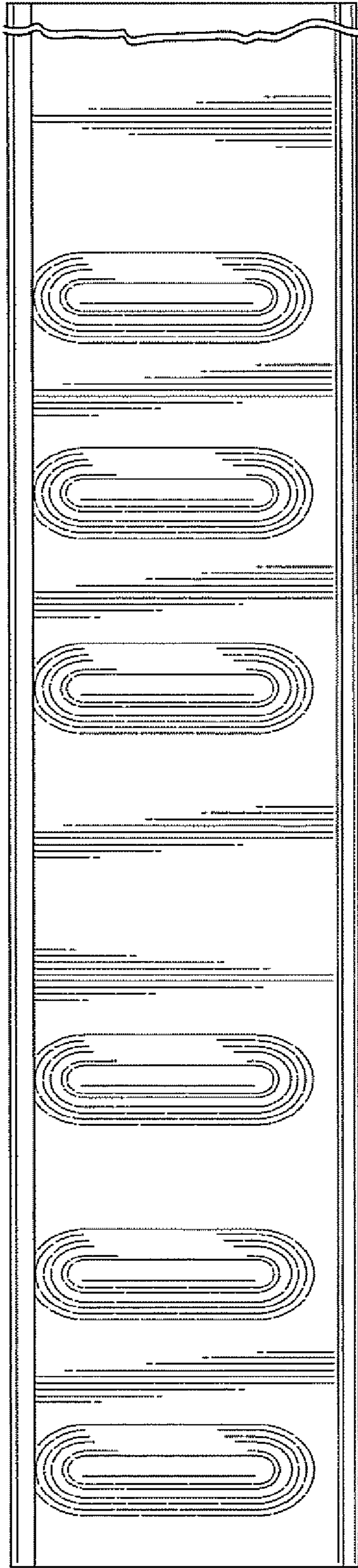


Fig. 4

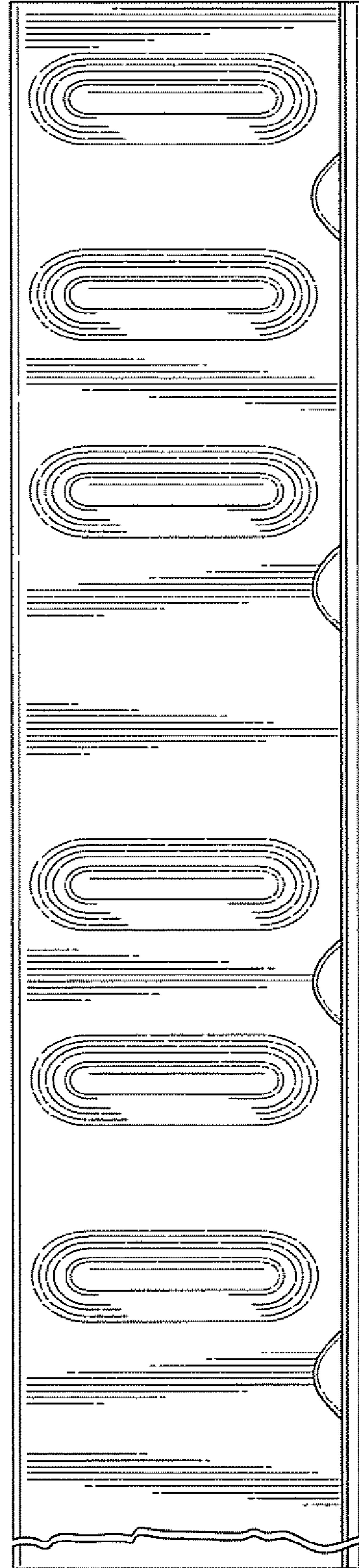


Fig. 5

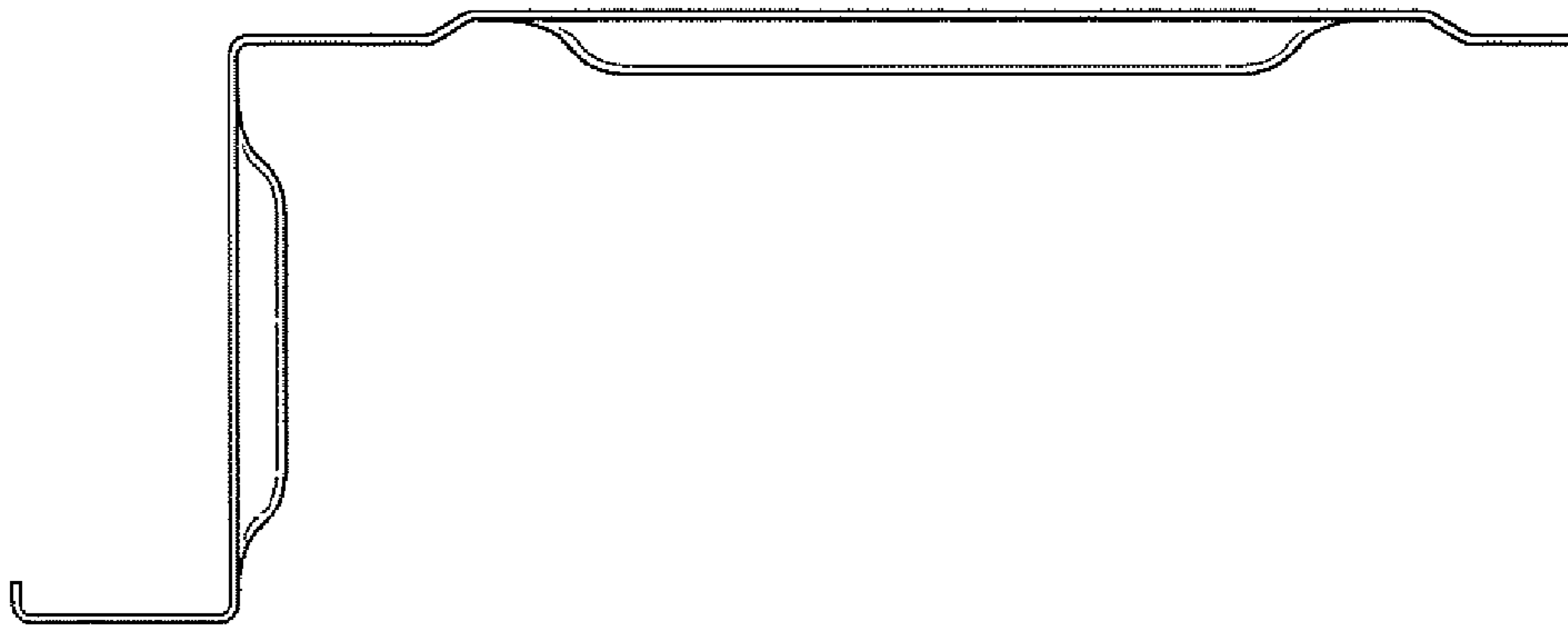


Fig.7

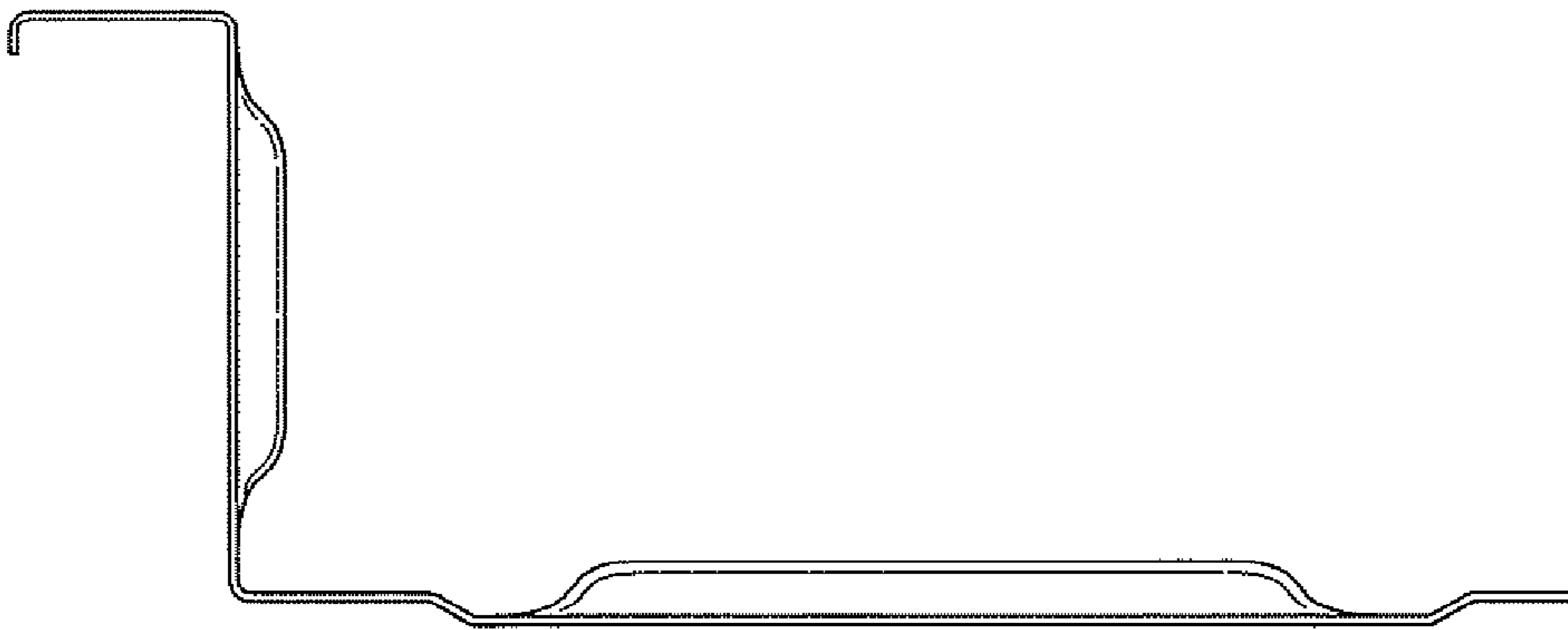


Fig.6