



US00D608469S

(12) **United States Design Patent**
Naccarato et al.

(10) **Patent No.:** **US D608,469 S**
(45) **Date of Patent:** **** Jan. 19, 2010**

(54) **DECK ELEMENT**

(75) Inventors: **John R. Naccarato**, Sault St. Marie (CA); **Joseph A. Severini**, Sault Ste. Marie (CA)

(73) Assignee: **Casata Technologies Inc.**, Sault Ste. Marie (CA)

(**) Term: **14 Years**

(21) Appl. No.: **29/332,042**

(22) Filed: **Feb. 6, 2009**

(51) **LOC (9) Cl.** **25-01**

(52) **U.S. Cl.** **D25/125**

(58) **Field of Classification Search** D25/579,
D25/520, 87, 181, 177; 405/201, 4
See application file for complete search history.

(56) **References Cited**

U.S. PATENT DOCUMENTS

1,091,214	A *	3/1914	Gruber	280/169
2,180,317	A	11/1939	Davis		
2,899,028	A	8/1959	Walker		
2,933,056	A	4/1960	Martin		
3,062,338	A	11/1962	De Ridder et al.		
4,454,695	A	6/1984	Person		
4,741,134	A	5/1988	Stohs		
4,741,138	A	5/1988	Rongoe, Jr.		
D361,141	S *	8/1995	Ueki	D25/125
5,685,118	A	11/1997	Simpson		
5,697,197	A	12/1997	Simpson		
5,941,035	A	8/1999	Purse		

6,226,950	B1 *	5/2001	Davis	52/592.1
D459,818	S *	7/2002	Chaney et al.	D25/125
D479,007	S *	8/2003	Biro	D25/125
6,889,478	B1	5/2005	Simpson		
2002/0069606	A1	6/2002	Gosselin et al.		
2004/0079041	A1 *	4/2004	Bergeron et al.	52/489.1
2005/0284058	A1	12/2005	Zeng et al.		

FOREIGN PATENT DOCUMENTS

CA	2439353	A1	9/2002
WO	WO 02/38885	A1	5/2002
WO	WO 2008/000075	A1	1/2008

* cited by examiner

Primary Examiner—Doris Clark

(74) *Attorney, Agent, or Firm*—John R. S. Orange; Blake, Cassels & Graydon LLP

(57) **CLAIM**

The ornamental design of a deck element, as shown and described.

DESCRIPTION

FIG. 1 is a perspective view.

FIG. 2 is a rear elevation.

FIG. 3 is a front elevation.

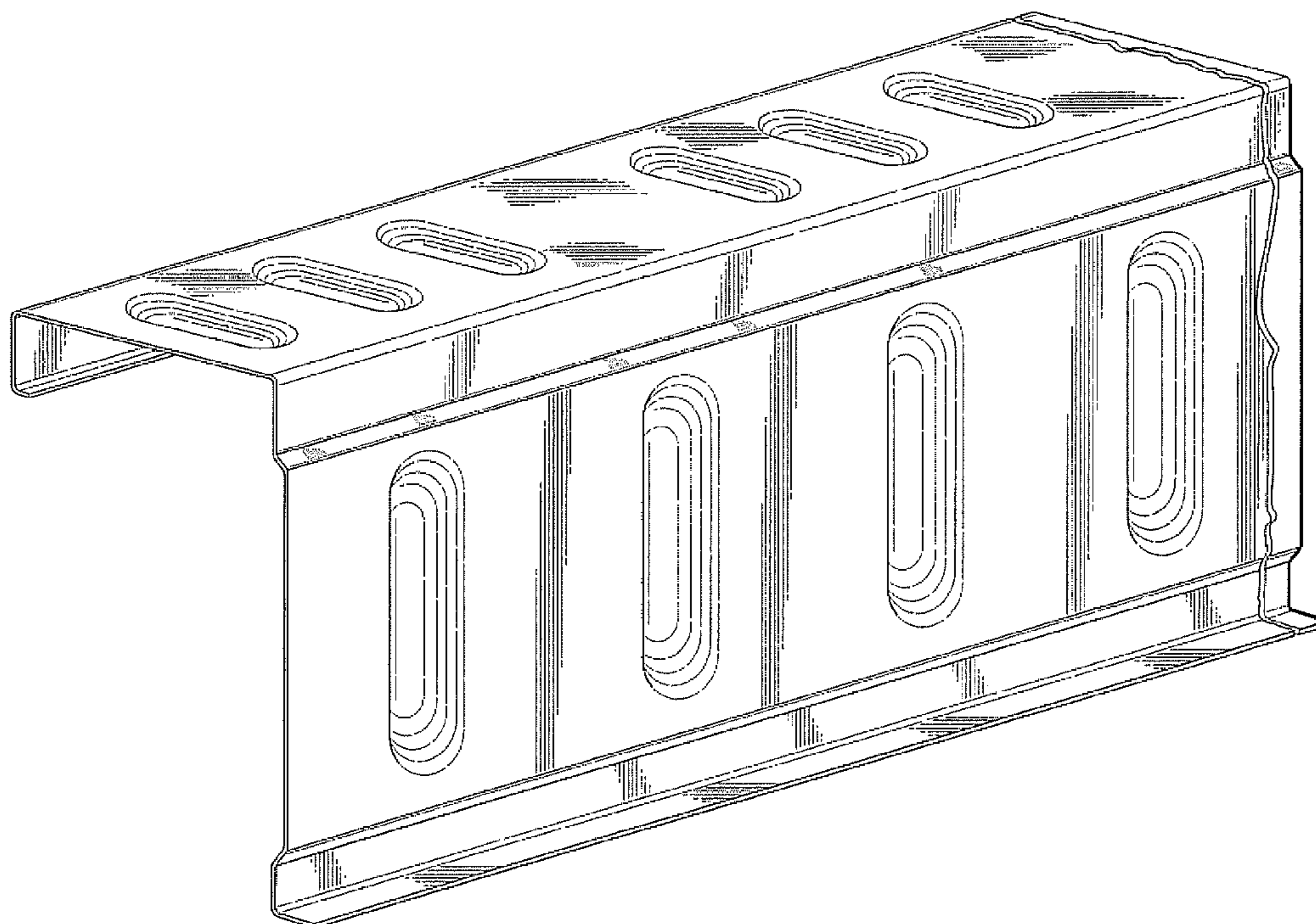
FIG. 4 is a plan view.

FIG. 5 is a view from below.

FIG. 6 is an end view; and,

FIG. 7 is a view from the opposite end to FIG. 6.

1 Claim, 5 Drawing Sheets



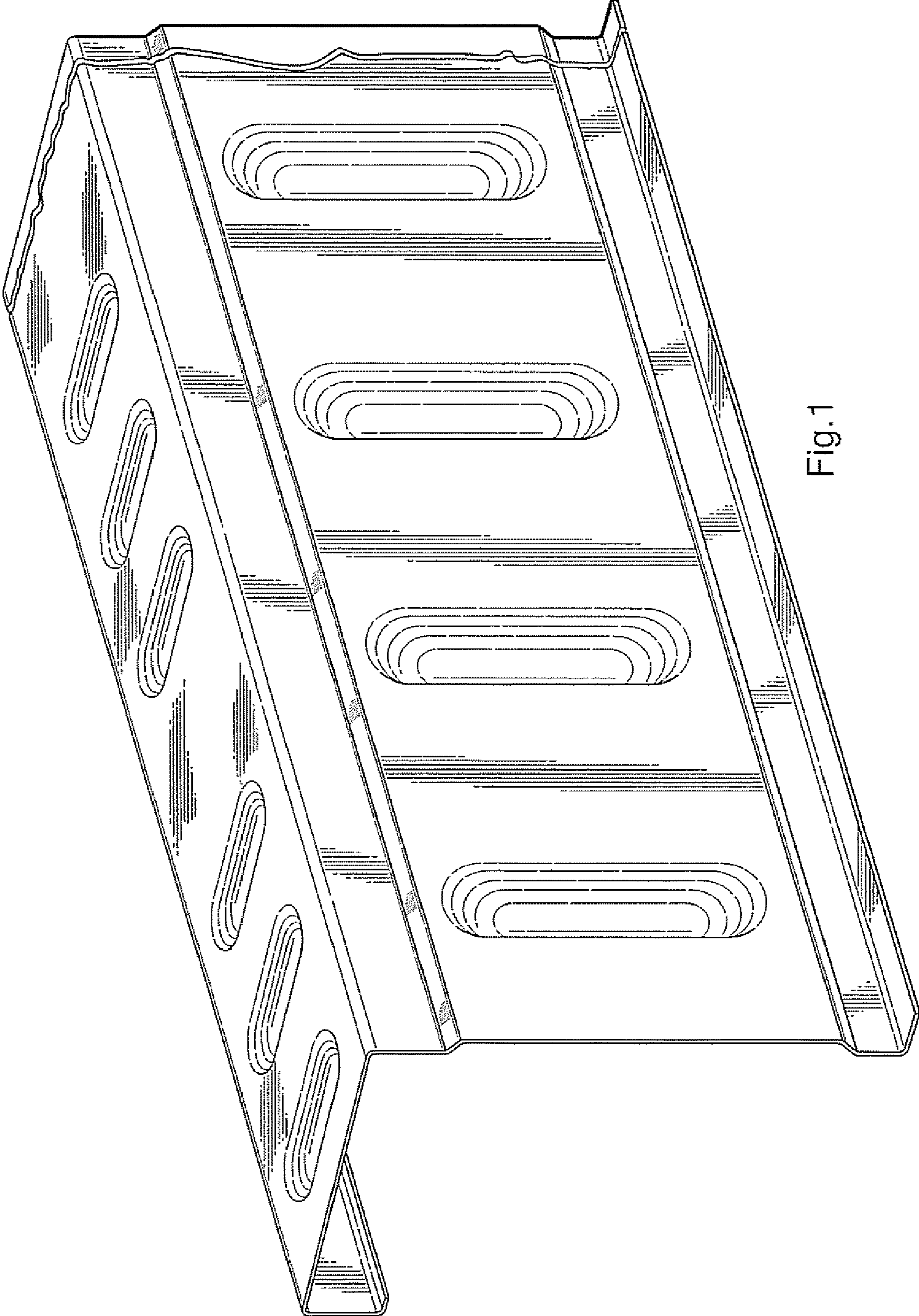


Fig. 1

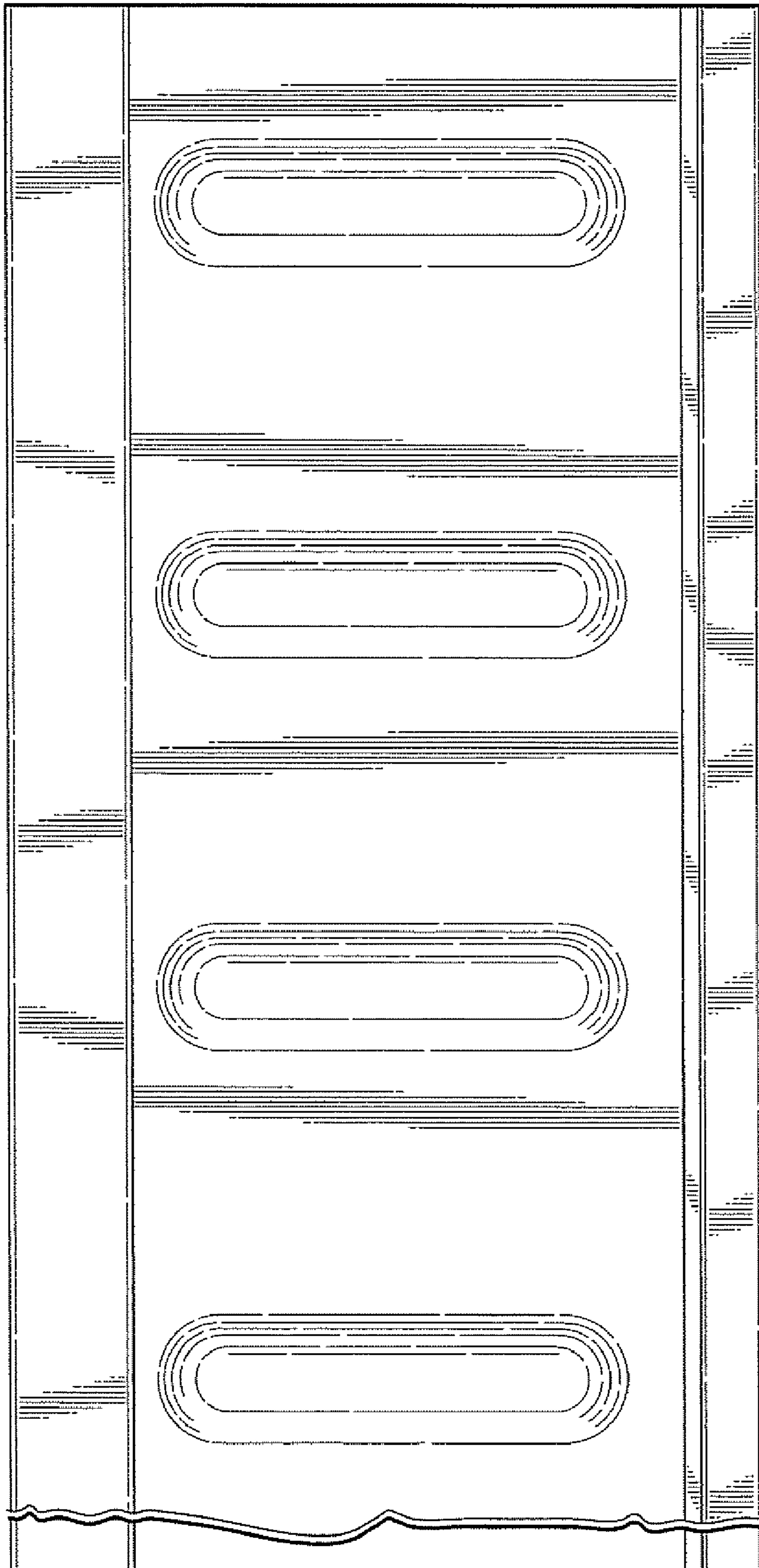


Fig.2

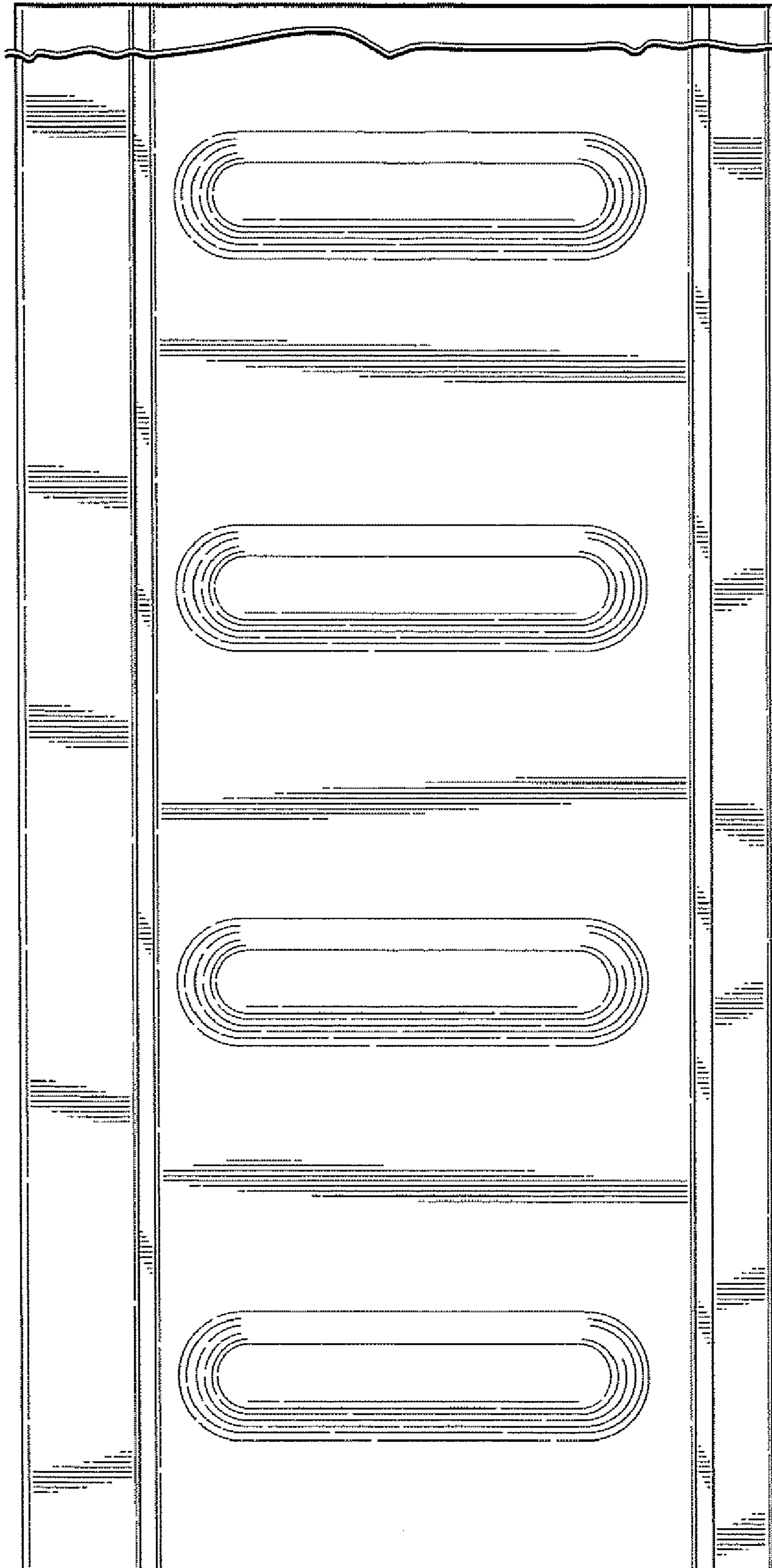


Fig.3

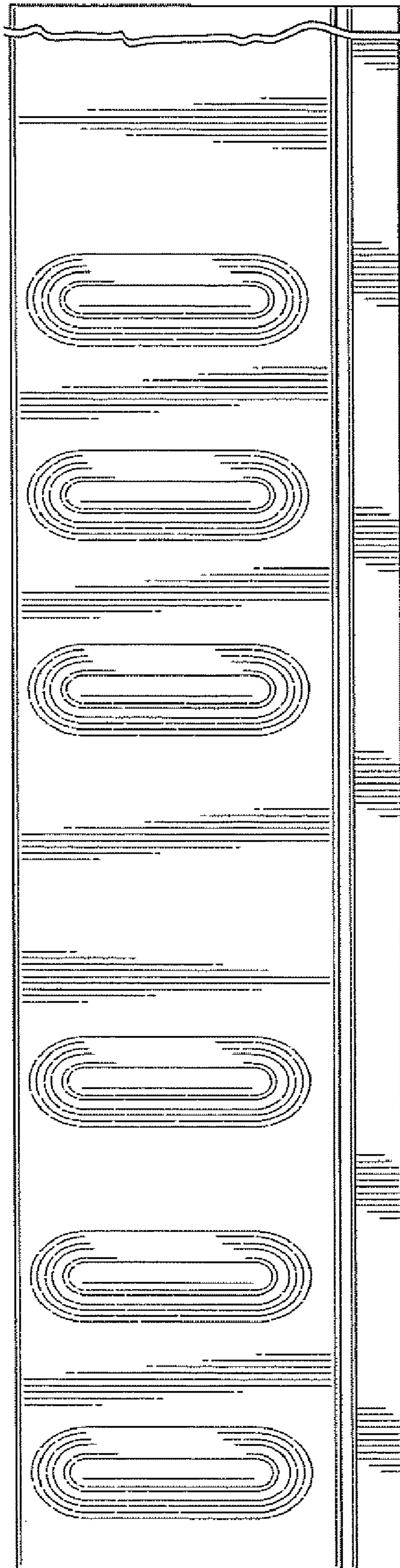


Fig. 4

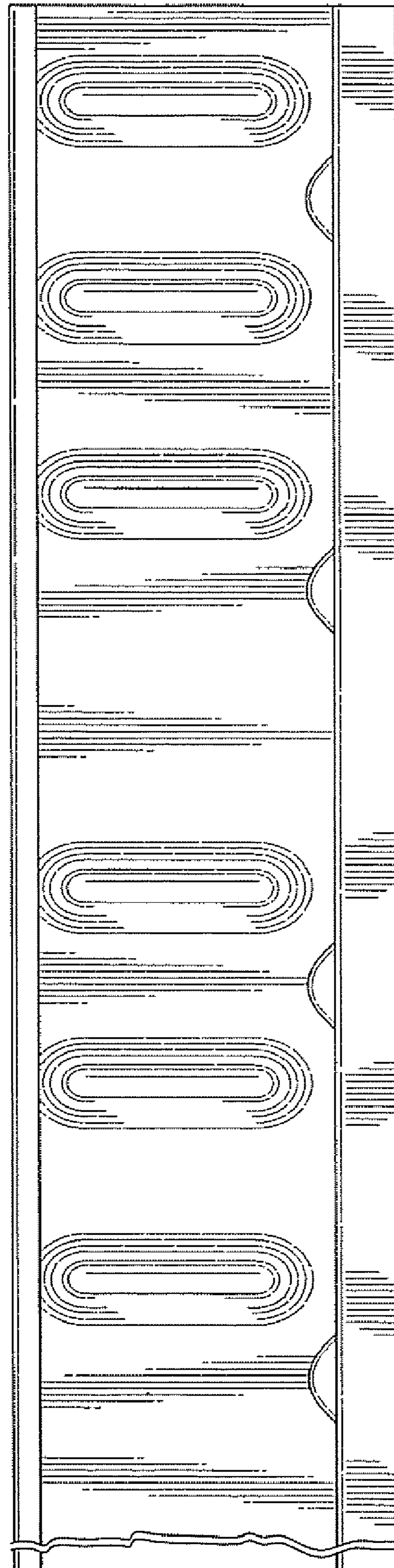


Fig. 5

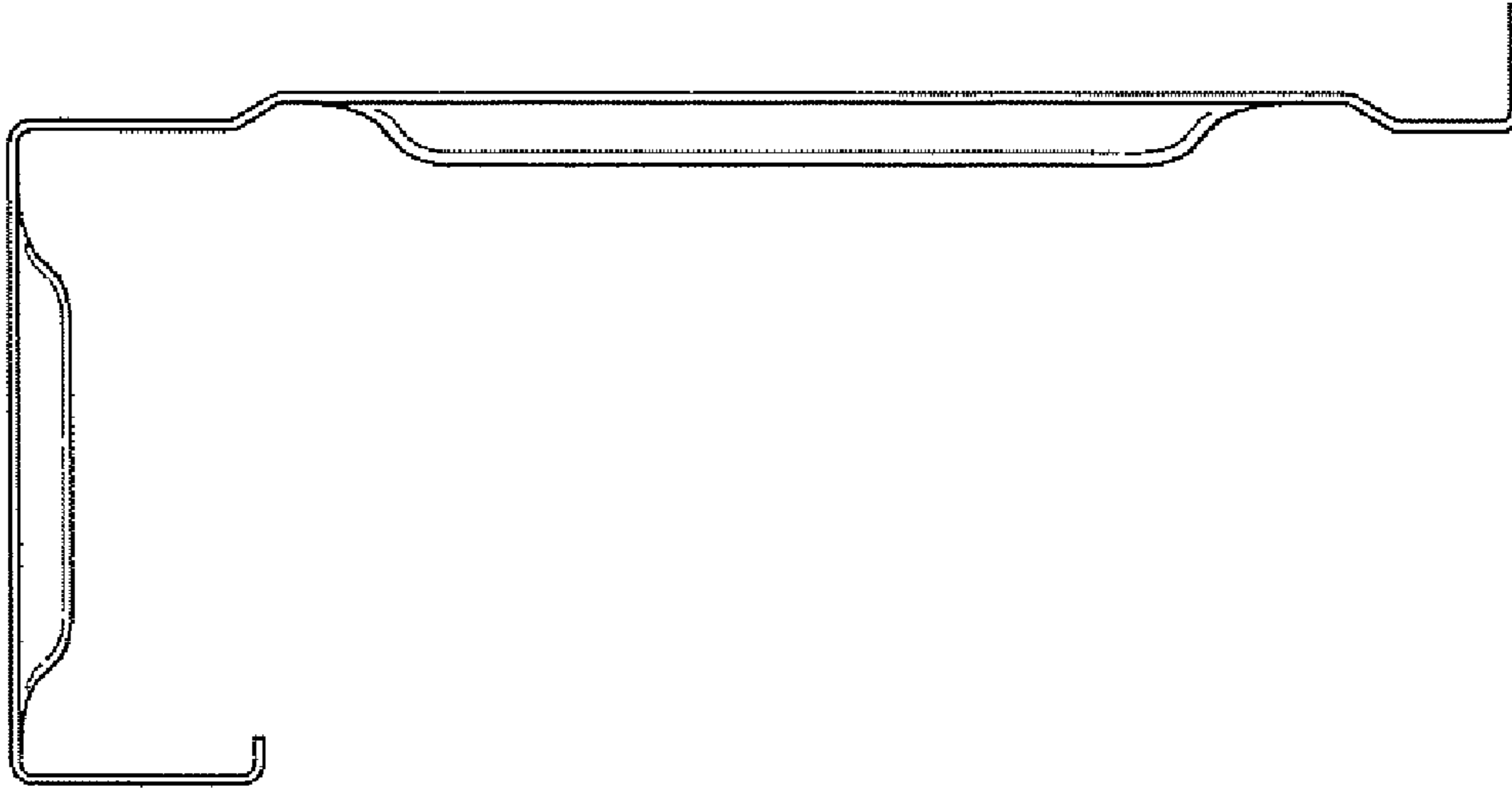


Fig.7

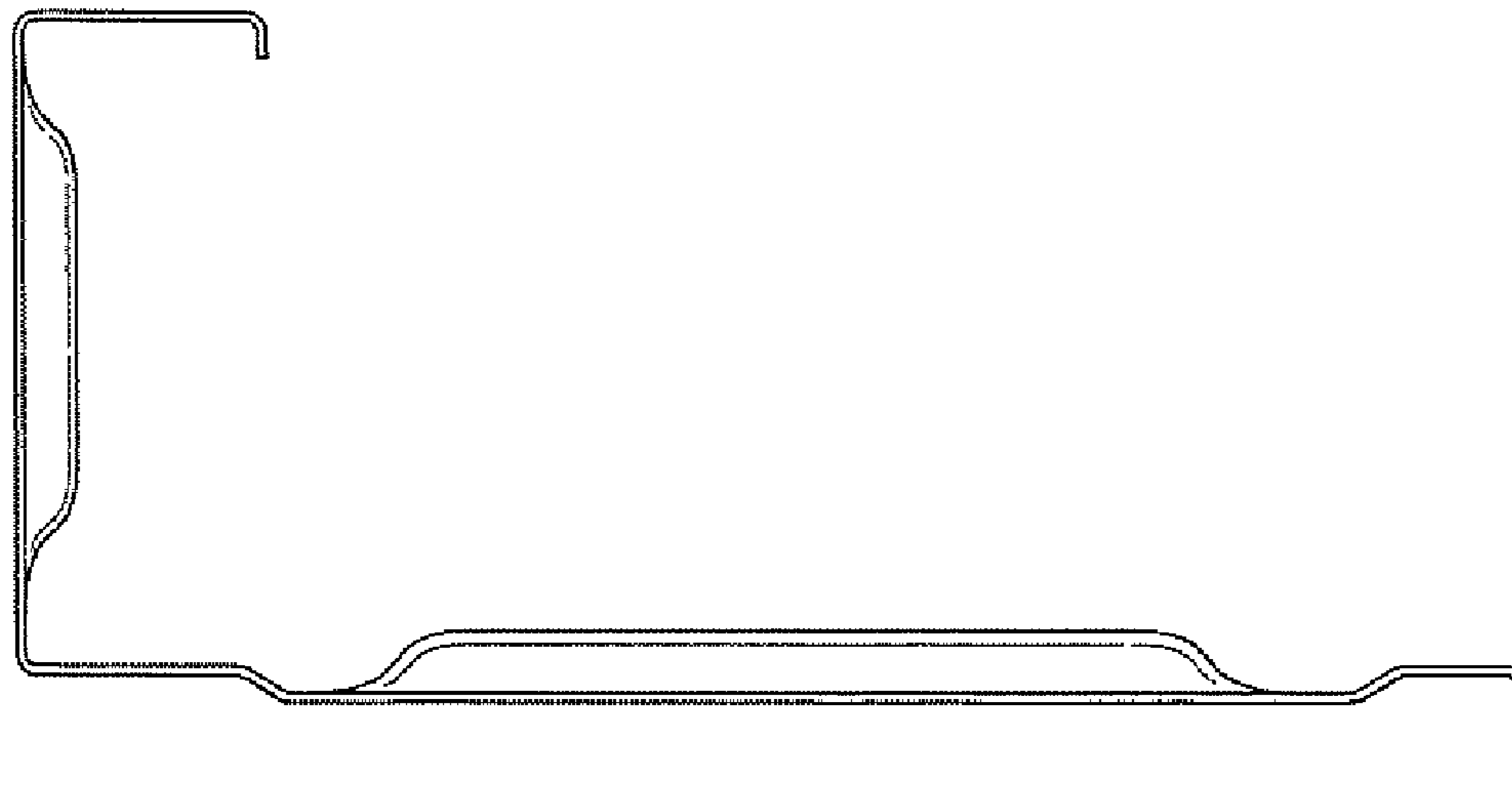


Fig.6