



US00D608468S

(12) **United States Design Patent**
Naccarato et al.

(10) **Patent No.:** **US D608,468 S**
(45) **Date of Patent:** **** Jan. 19, 2010**

(54) **DECK ELEMENT**

2005/0284058 A1 12/2005 Zeng et al.

(75) Inventors: **John R. Naccarato**, Sault St. Marie (CA); **Joseph A. Severini**, Sault Ste. Marie (CA)

FOREIGN PATENT DOCUMENTS

CA 2439353 A1 9/2002
WO WO 02/38885 A1 5/2002
WO WO 2008/000075 A1 1/2008

(73) Assignee: **Casata Technologies Inc.**, Sault Ste. Marie (CA)

* cited by examiner

(**) Term: **14 Years**

Primary Examiner—Doris Clark

(21) Appl. No.: **29/332,035**

(74) *Attorney, Agent, or Firm*—John R. S. Orange; Blake, Cassels & Graydon LLP

(22) Filed: **Feb. 6, 2009**

(57) **CLAIM**

(51) **LOC (9) Cl.** **25-01**

The ornamental design of a deck element, as shown and described.

(52) **U.S. Cl.** **D25/125**

(58) **Field of Classification Search** D25/579,
D25/520, 87, 181, 177; 405/201, 4
See application file for complete search history.

DESCRIPTION

(56) **References Cited**

U.S. PATENT DOCUMENTS

1,091,214 A * 3/1914 Gruber 280/169
2,180,317 A 11/1939 Davis
2,899,028 A 8/1959 Walker
2,933,056 A 4/1960 Martin
3,062,338 A 11/1962 De Ridder et al.
4,454,695 A 6/1984 Person
4,741,134 A 5/1988 Stohs
4,741,138 A 5/1988 Rongoe, Jr.
D361,141 S * 8/1995 Ueki D25/125
5,685,118 A 11/1997 Simpson
5,697,197 A 12/1997 Simpson
5,941,035 A 8/1999 Purse
6,226,950 B1 * 5/2001 Davis 52/592.1
D459,818 S * 7/2002 Chaney et al. D25/125
D479,007 S * 8/2003 Biro D25/125
6,889,478 B1 5/2005 Simpson
2002/0069606 A1 6/2002 Gosselin et al.
2004/0079041 A1 * 4/2004 Bergeron et al. 52/489.1

FIG. 1 is a perspective view.

FIG. 2 is a rear elevation view.

FIG. 3 is a front elevation view.

FIG. 4 is a plan view.

FIG. 5 is a view from below.

FIG. 6 is an end elevation.

FIG. 7 is an end view opposite to that in FIG. 6.

FIG. 8 is a perspective view of a second embodiment of the deck element.

FIG. 9 is a rear elevation view.

FIG. 10 is a front elevation view thereof.

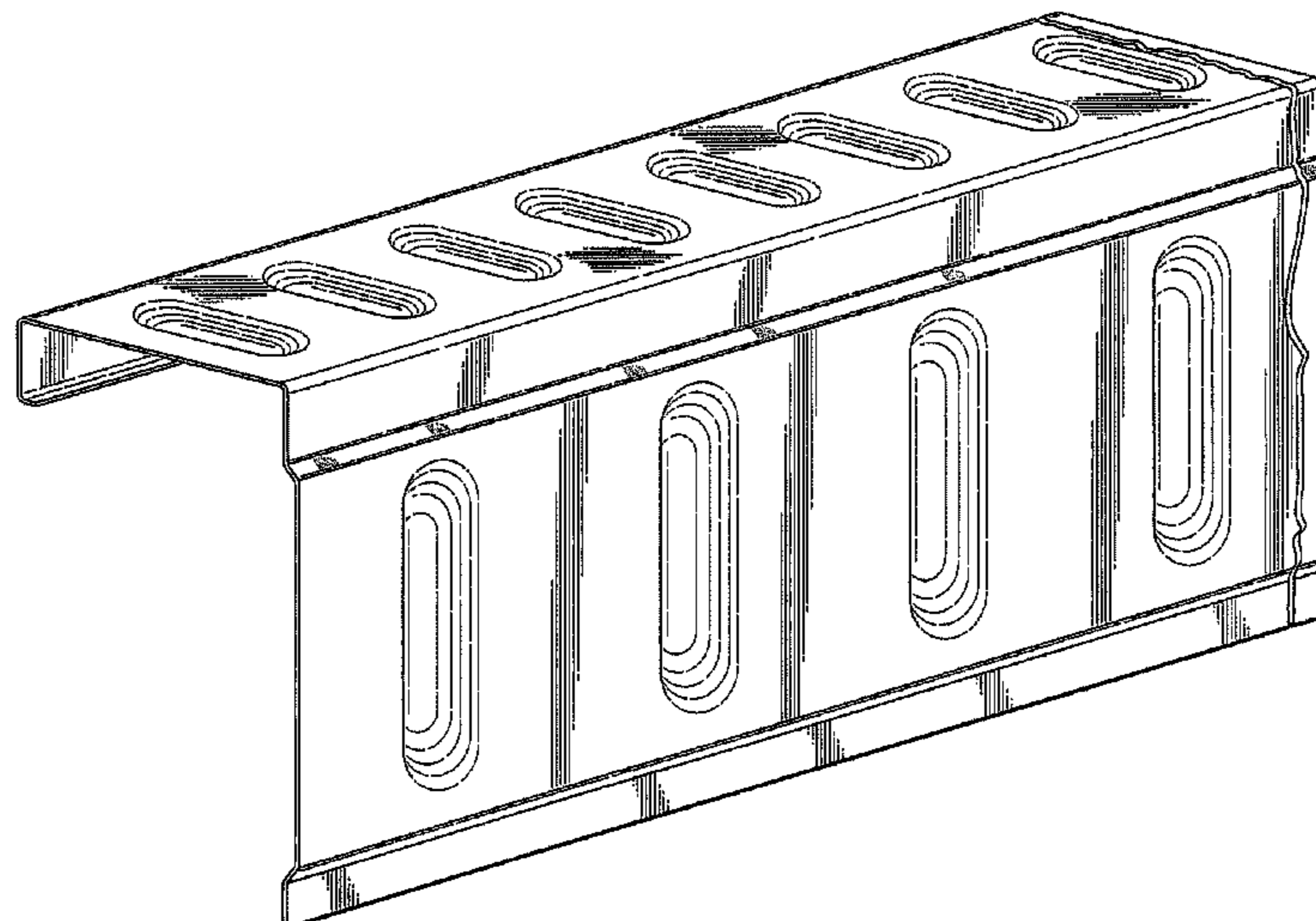
FIG. 11 is a plan view thereof.

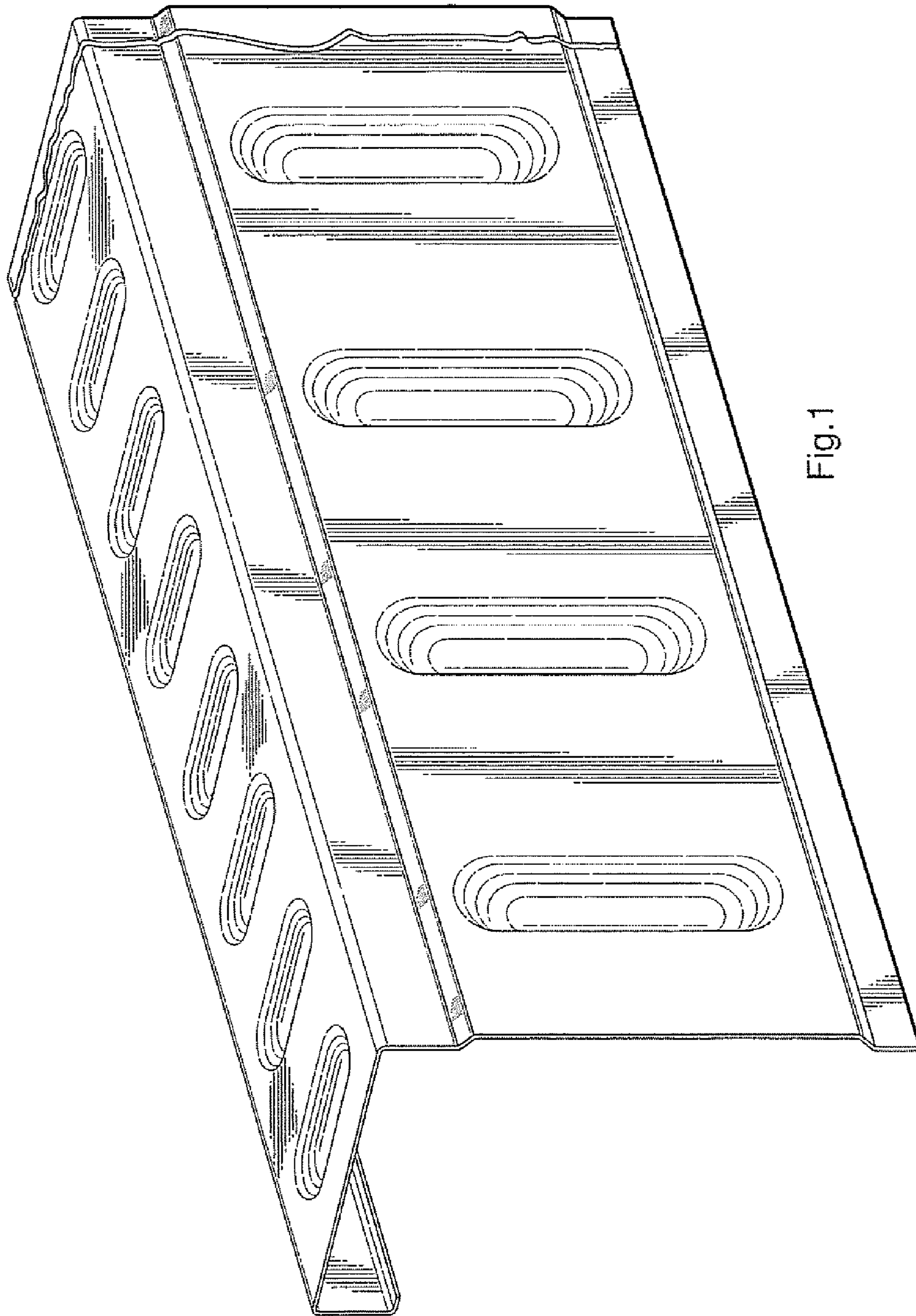
FIG. 12 is a view from below.

FIG. 13 is an end view; and,

FIG. 14 is an end view opposite to that in FIG. 13.

1 Claim, 10 Drawing Sheets





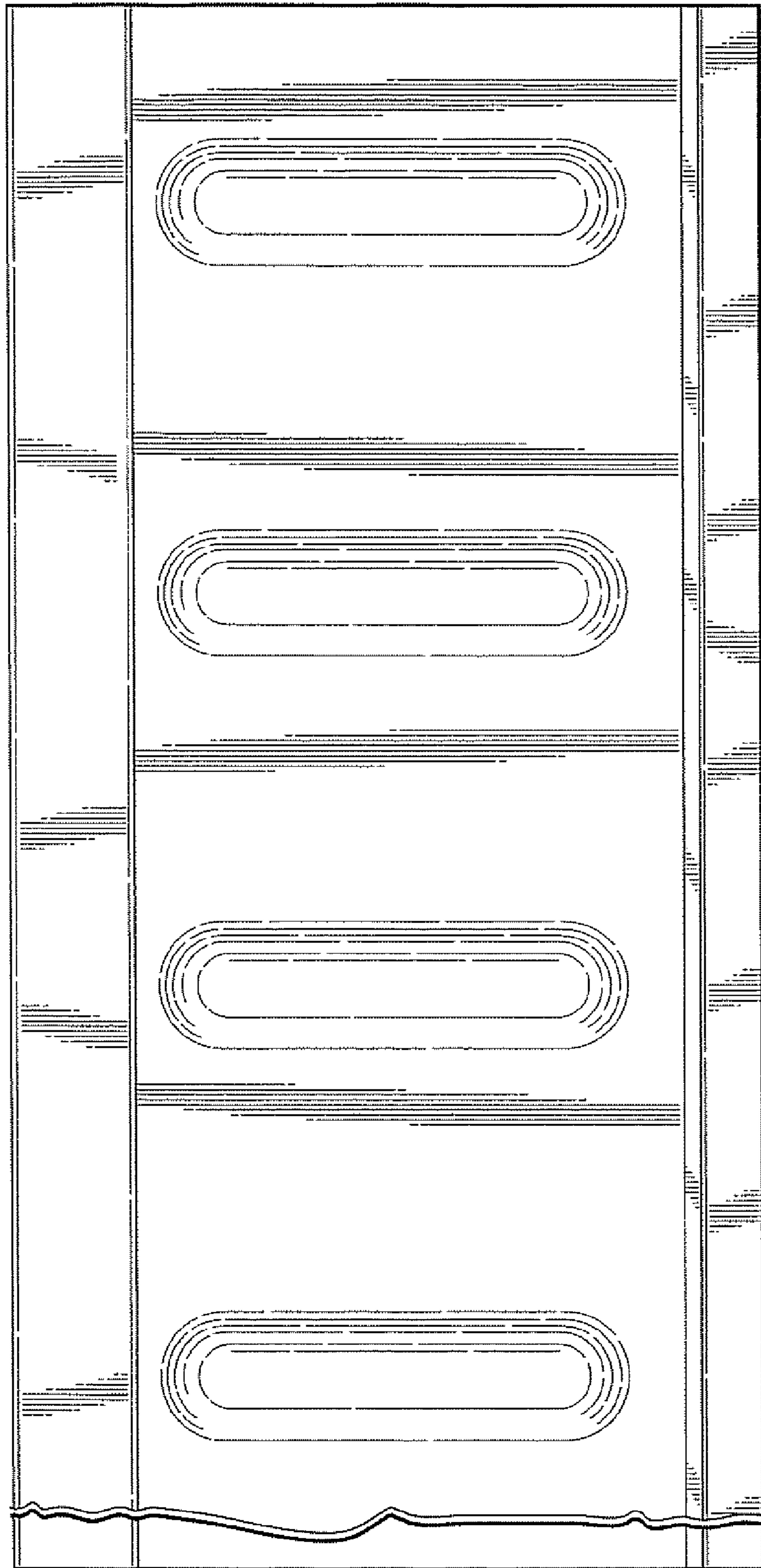


Fig.2

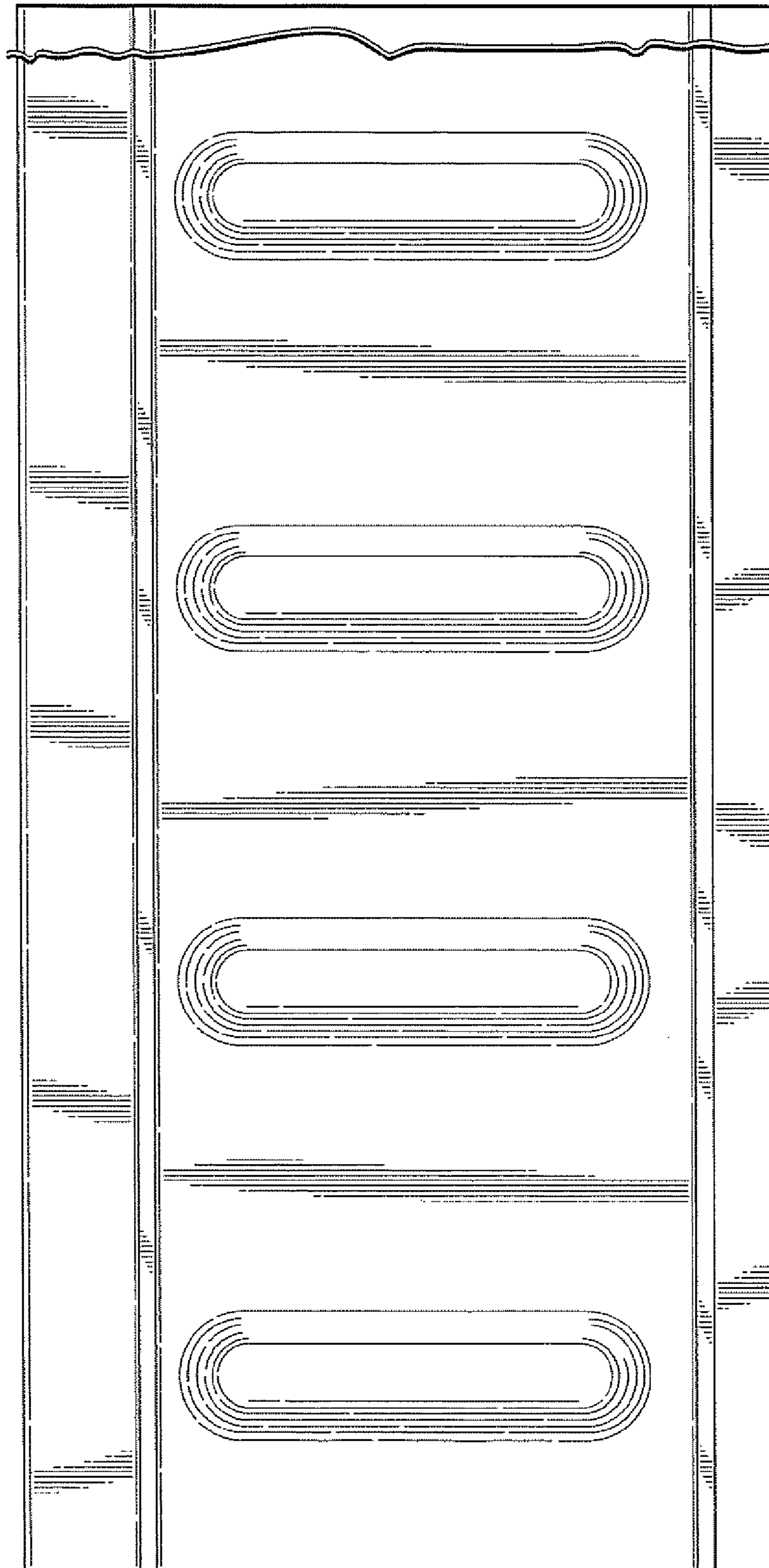


Fig.3

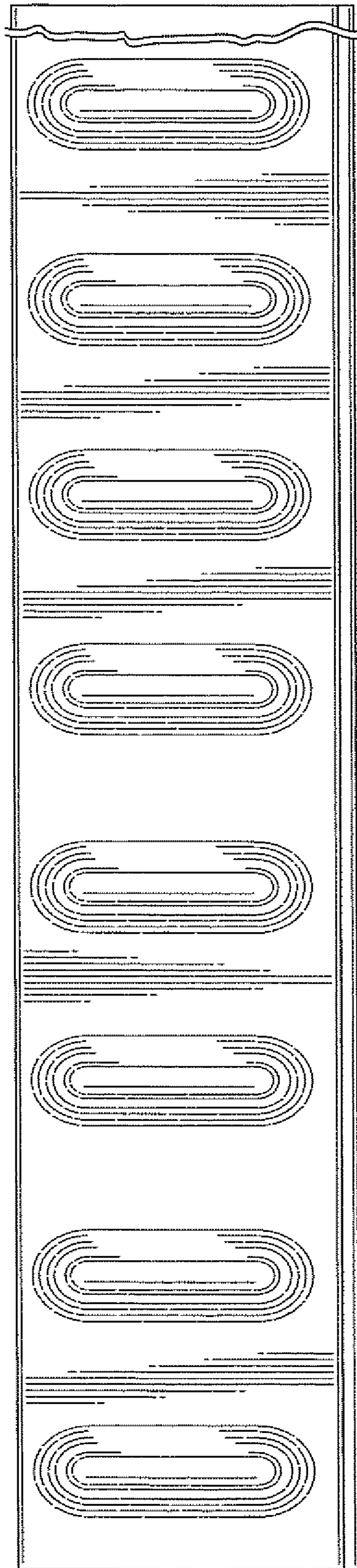


Fig. 4

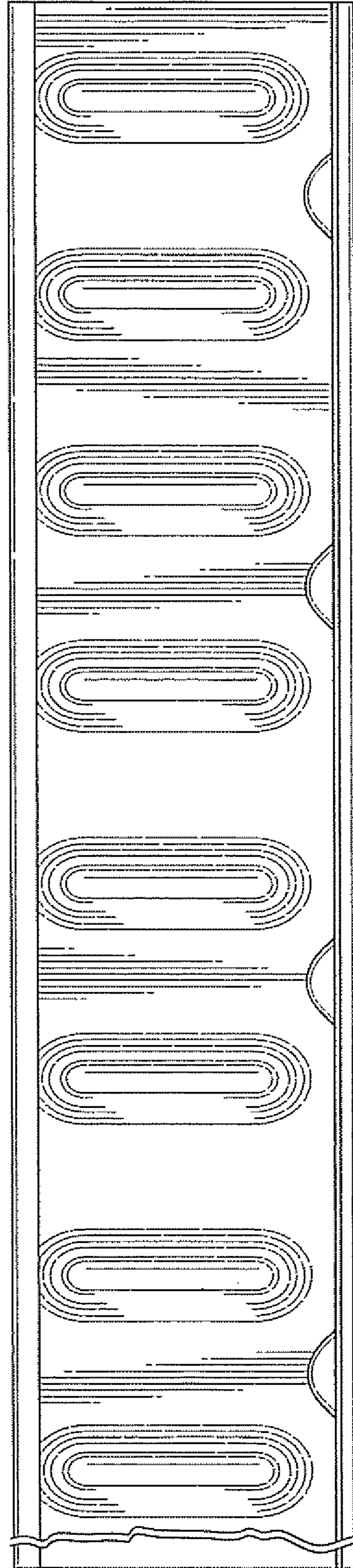


Fig. 5

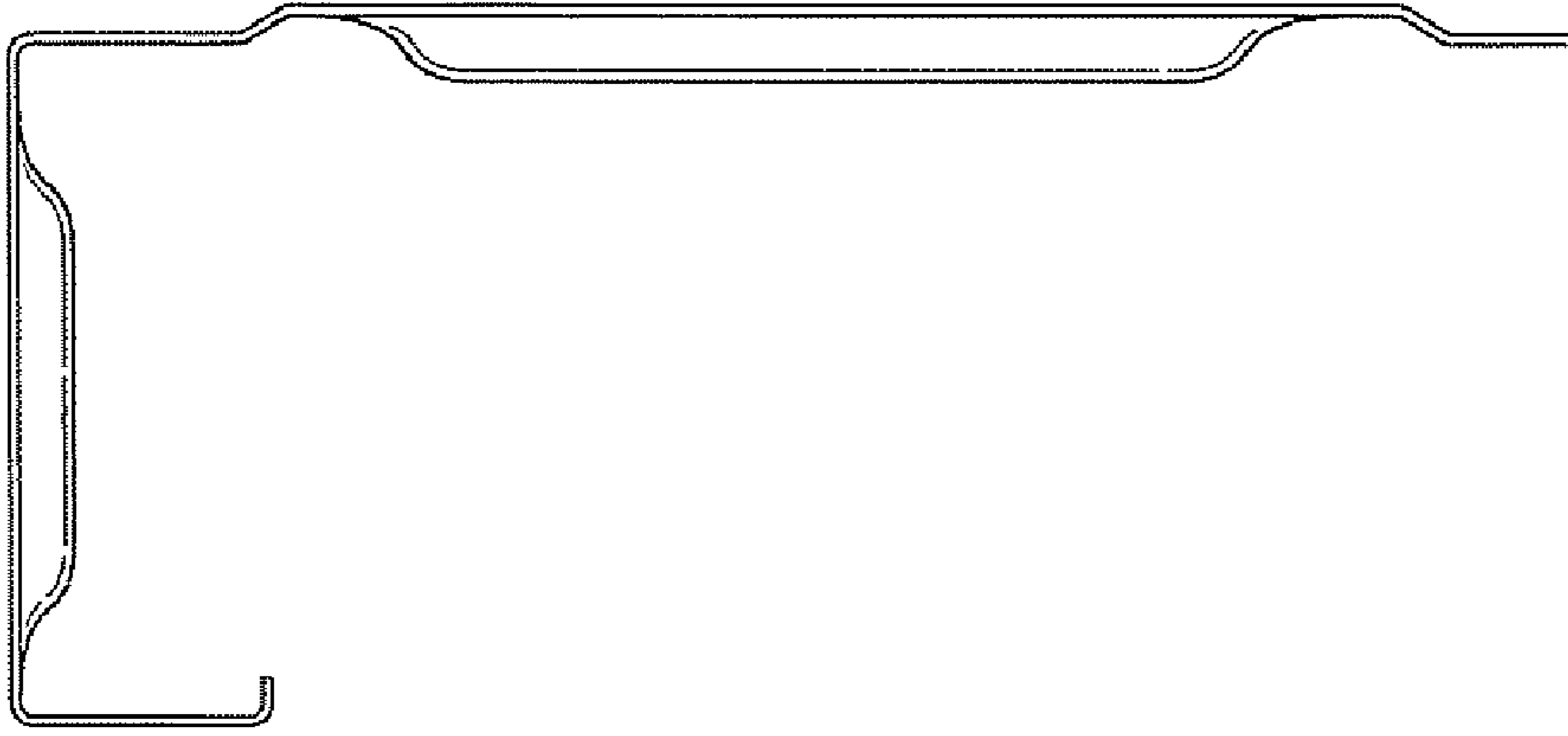


Fig.7

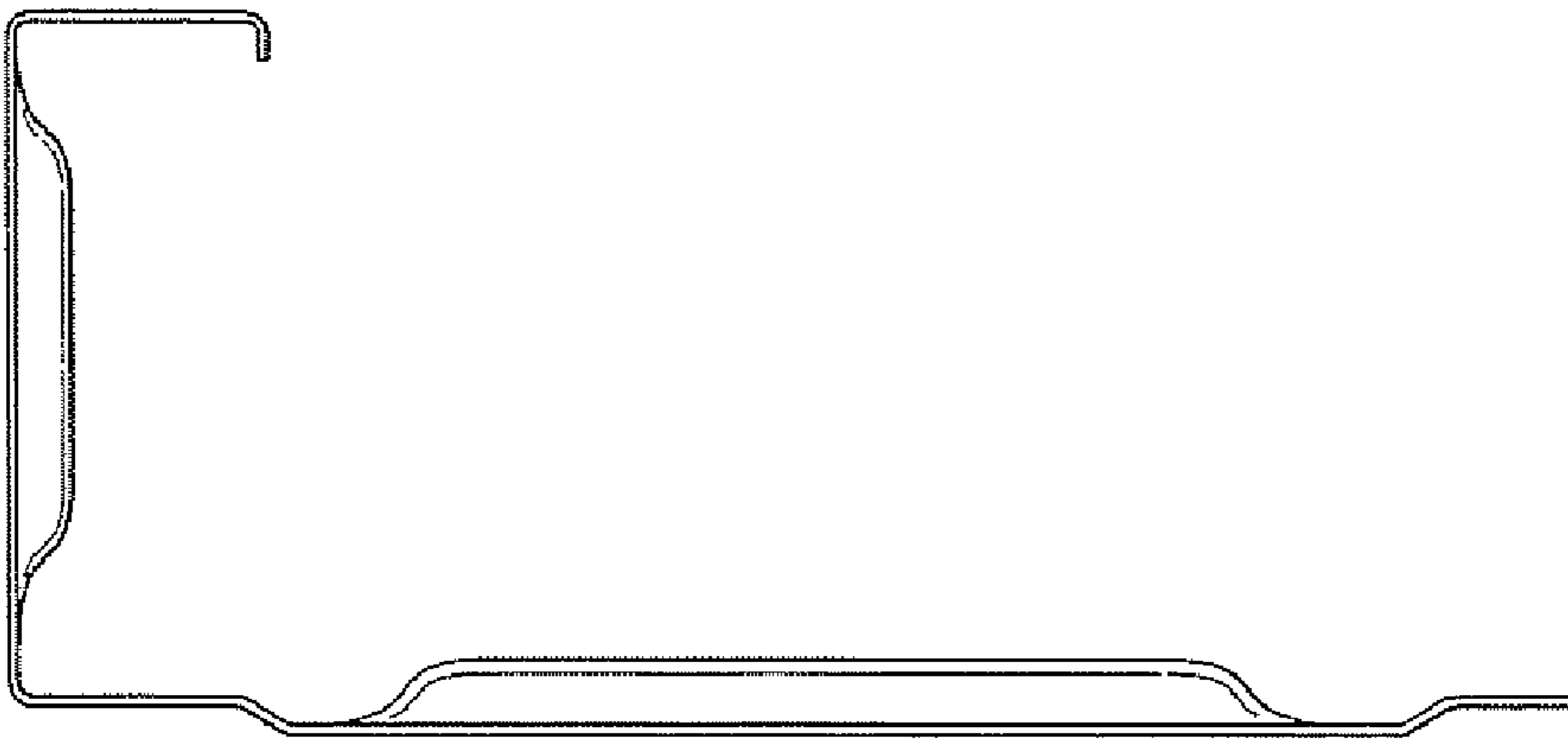


Fig.6

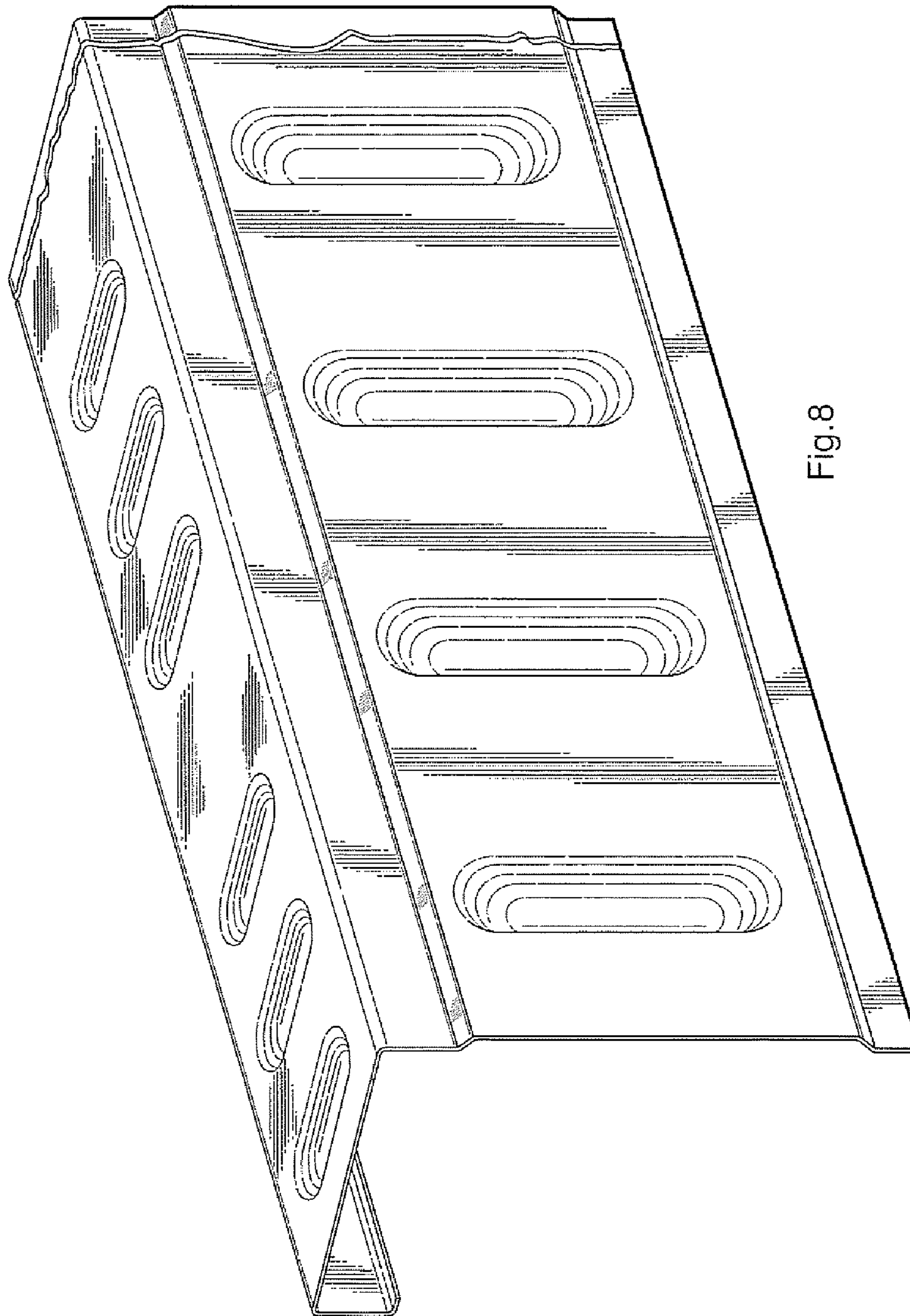


Fig.8

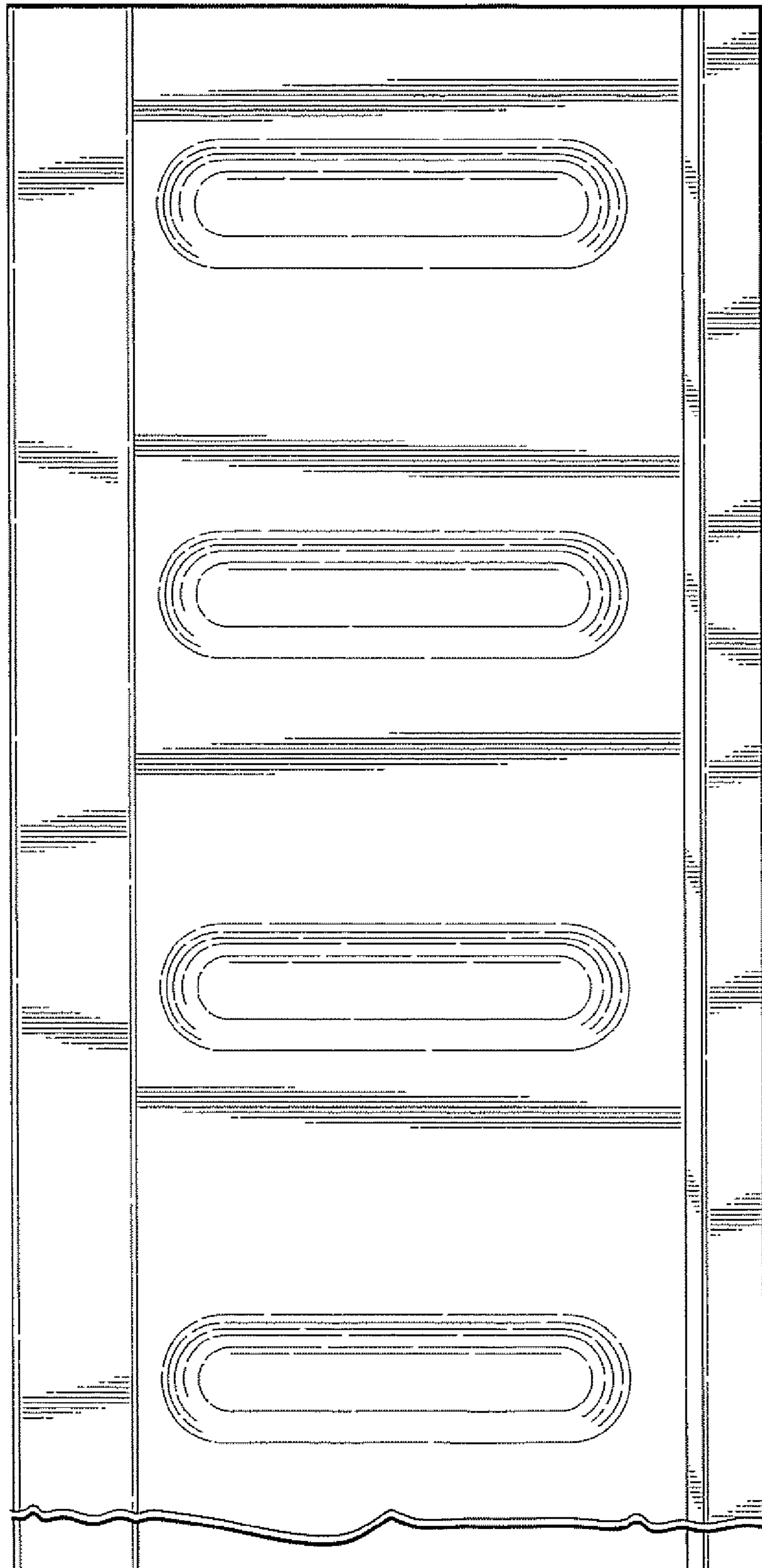


Fig.9

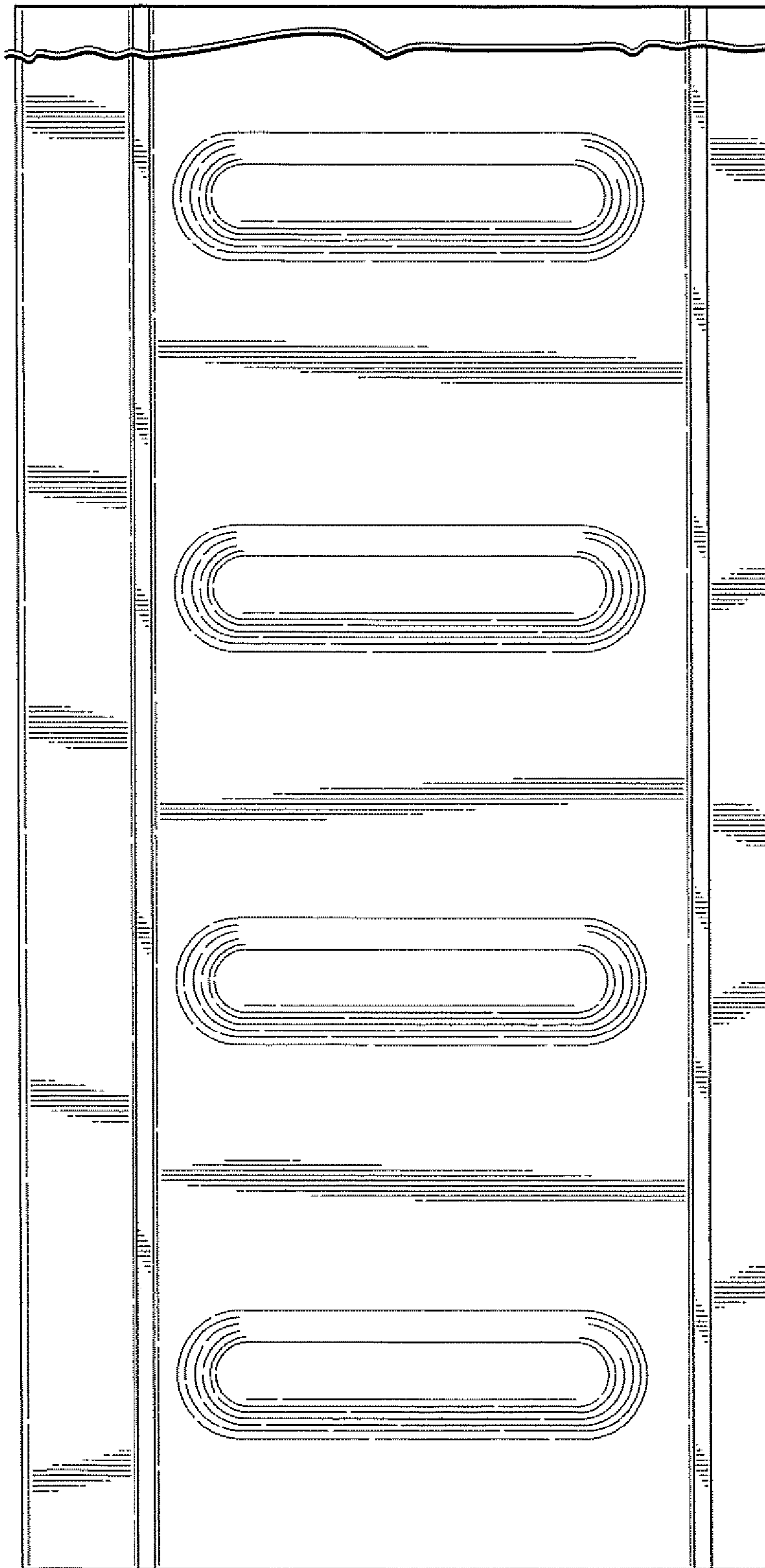


Fig.10

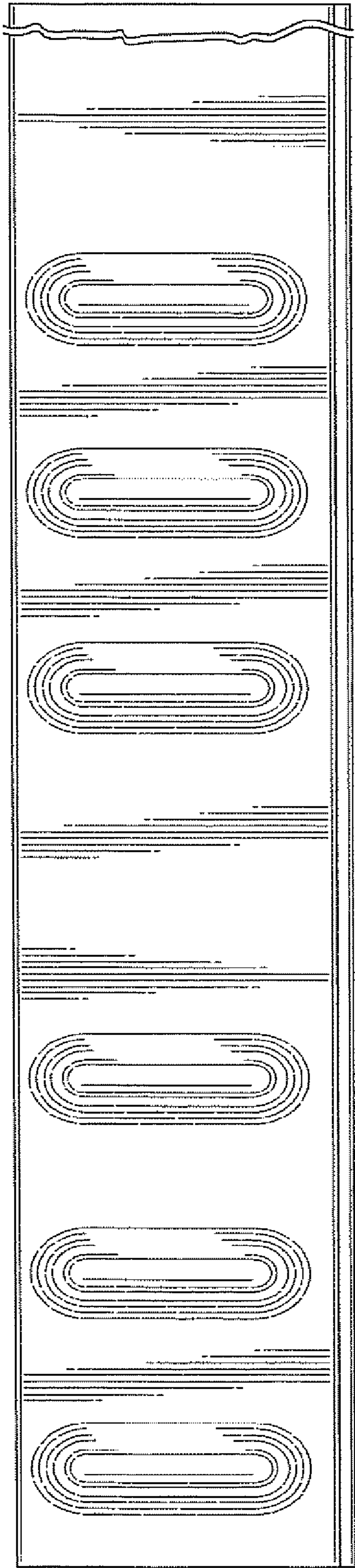


Fig. 11

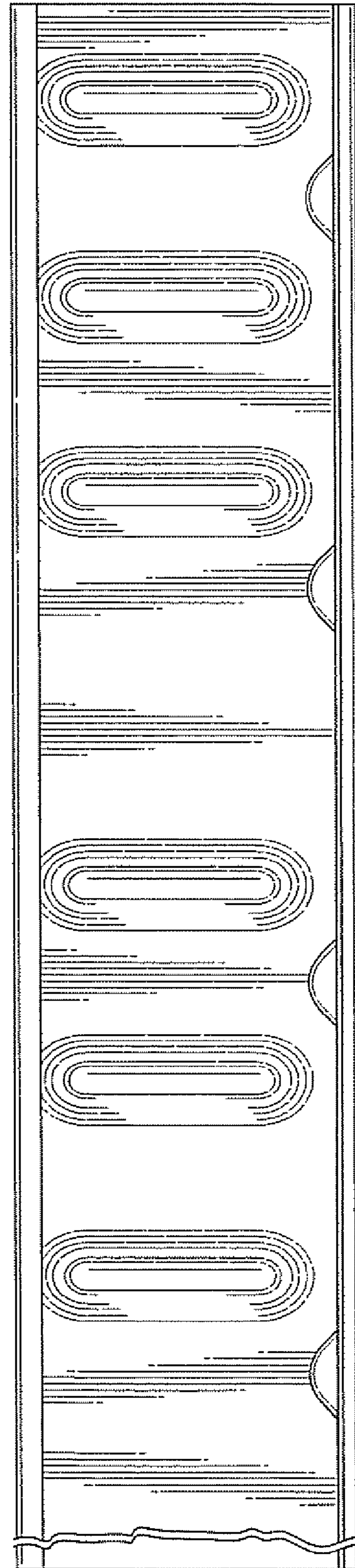


Fig. 12

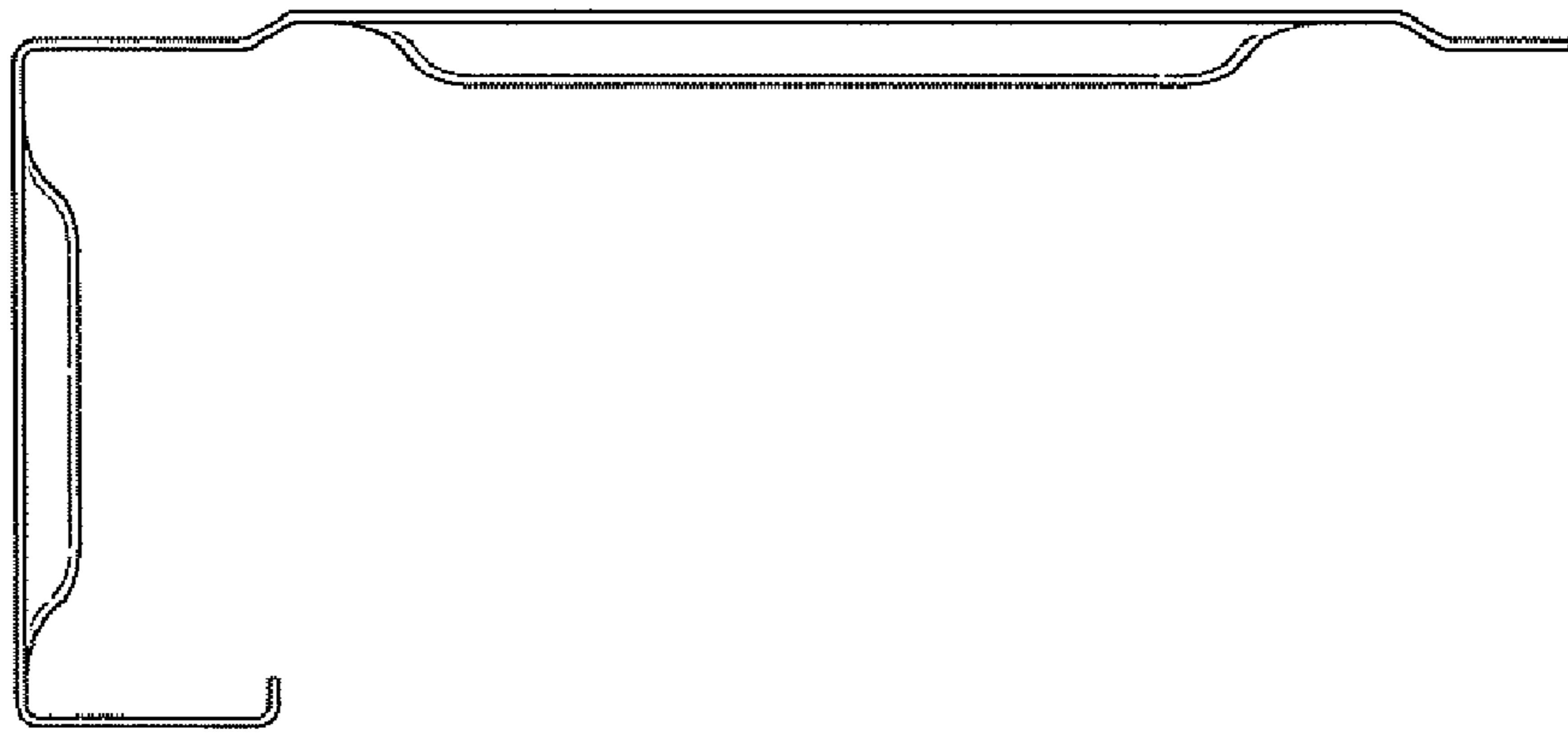


Fig.14

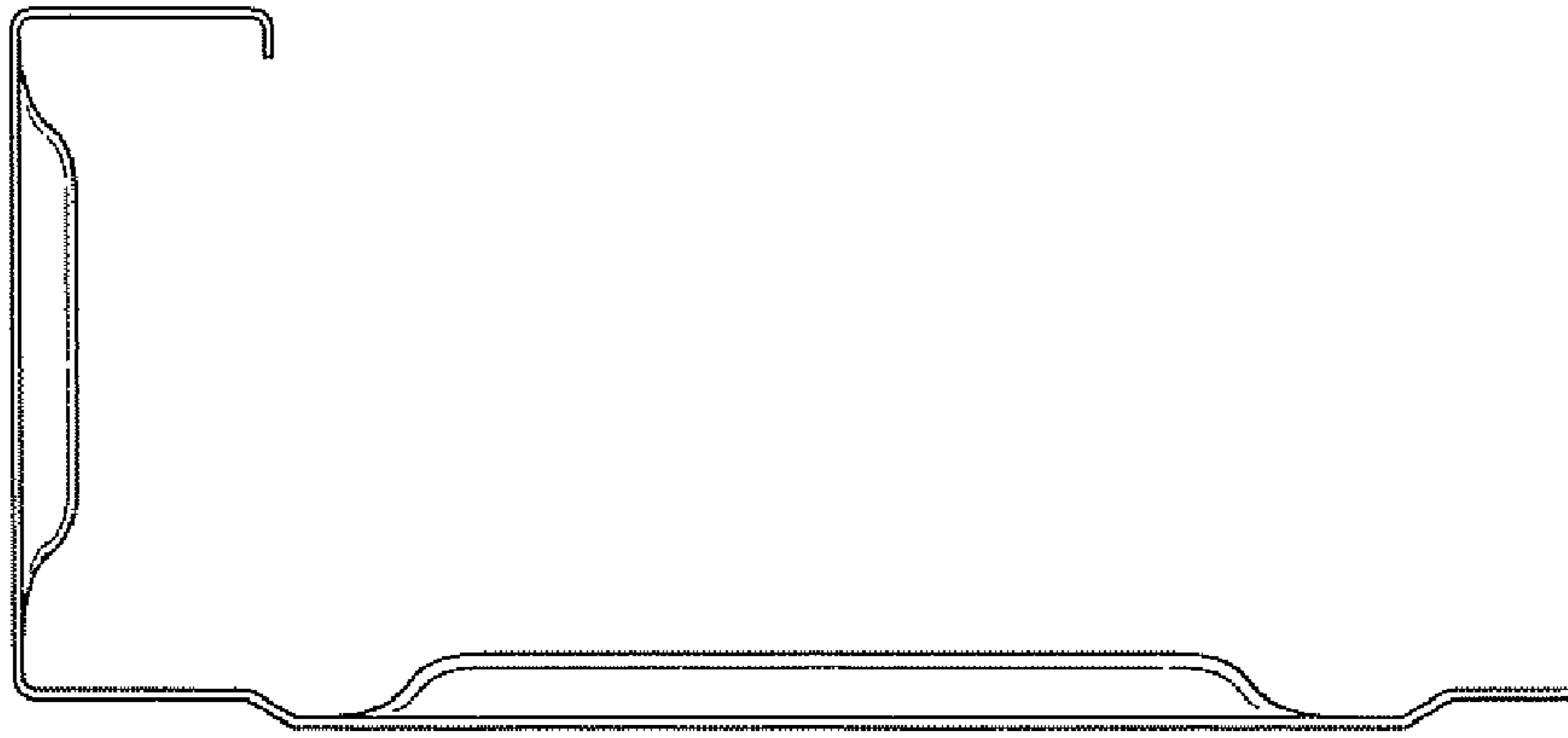


Fig.13