



US00D608467S

(12) **United States Design Patent**  
**Franson**

(10) **Patent No.:** **US D608,467 S**

(45) **Date of Patent:** **\*\* Jan. 19, 2010**

(54) **WINDOW COMPONENT EXTRUSION**

(56) **References Cited**

(75) Inventor: **Jeffrey R. Franson**, Maple Valley, WA  
(US)

U.S. PATENT DOCUMENTS

6,427,415 B1 \* 8/2002 Rosenkranz ..... 52/656.5

D534,661 S \* 1/2007 Fannan ..... D25/124

(73) Assignee: **Mikron Industries, Inc.**, Kent, WA (US)

(\*\*) Term: **14 Years**

\* cited by examiner

(21) Appl. No.: **29/314,955**

*Primary Examiner*—Doris Clark

(22) Filed: **May 11, 2009**

(74) *Attorney, Agent, or Firm*—David C. Gadd

**Related U.S. Application Data**

(57) **CLAIM**

(62) Division of application No. 29/293,895, filed on Dec. 14, 2007, now Pat. No. Des. 593,219.

The ornamental design for a window component extrusion, as shown and described.

(51) **LOC (9) Cl.** ..... **25-01**

(52) **U.S. Cl.** ..... **D25/124; D25/125**

(58) **Field of Classification Search** ..... D25/121,  
D25/122, 124, 125; 52/204.59, 204.1, 204.2,  
52/204.5, 204.51, 656.5, 656.6, 213, 215,  
52/208, 293.3, 204.97, 204.595, 204.71,  
52/730.3, 656.2, 207, 204.7; 49/209, 501,  
49/504, DIG. 2, 169

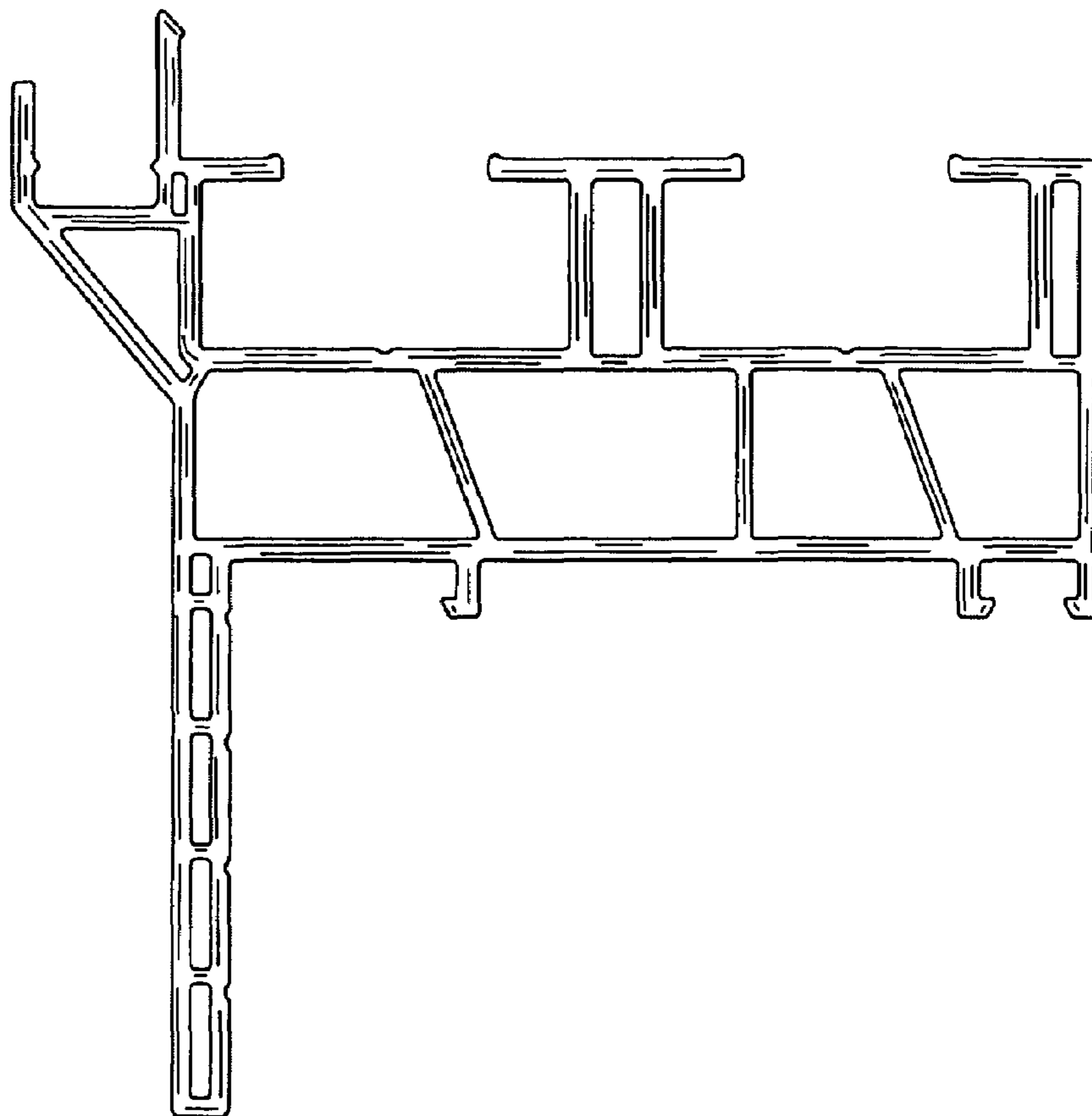
**DESCRIPTION**

FIG. 1 is a front elevation view of a window component extrusion; and,

FIG. 2 is the rear elevation view thereof.

See application file for complete search history.

**1 Claim, 2 Drawing Sheets**



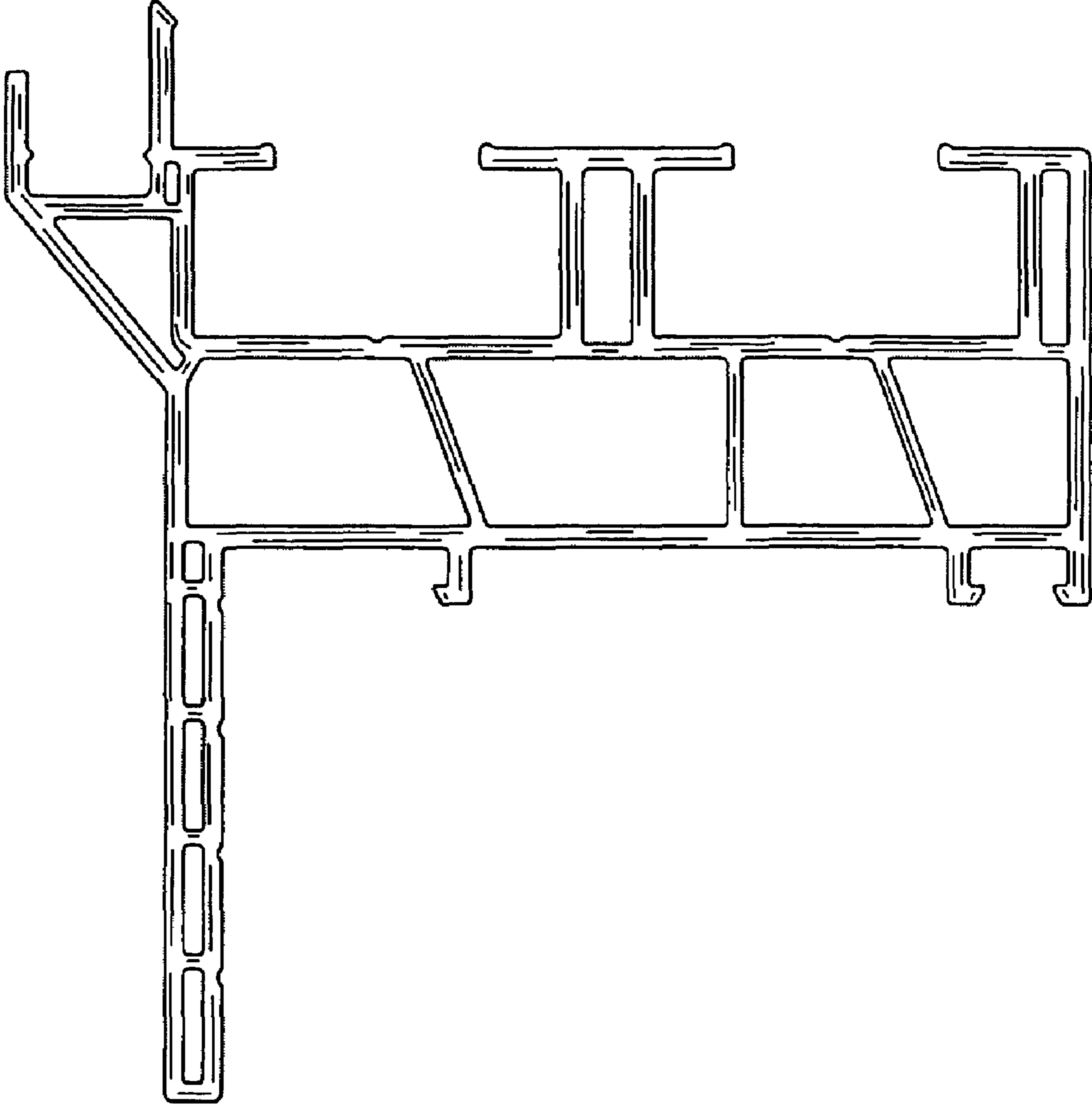


Fig. 1

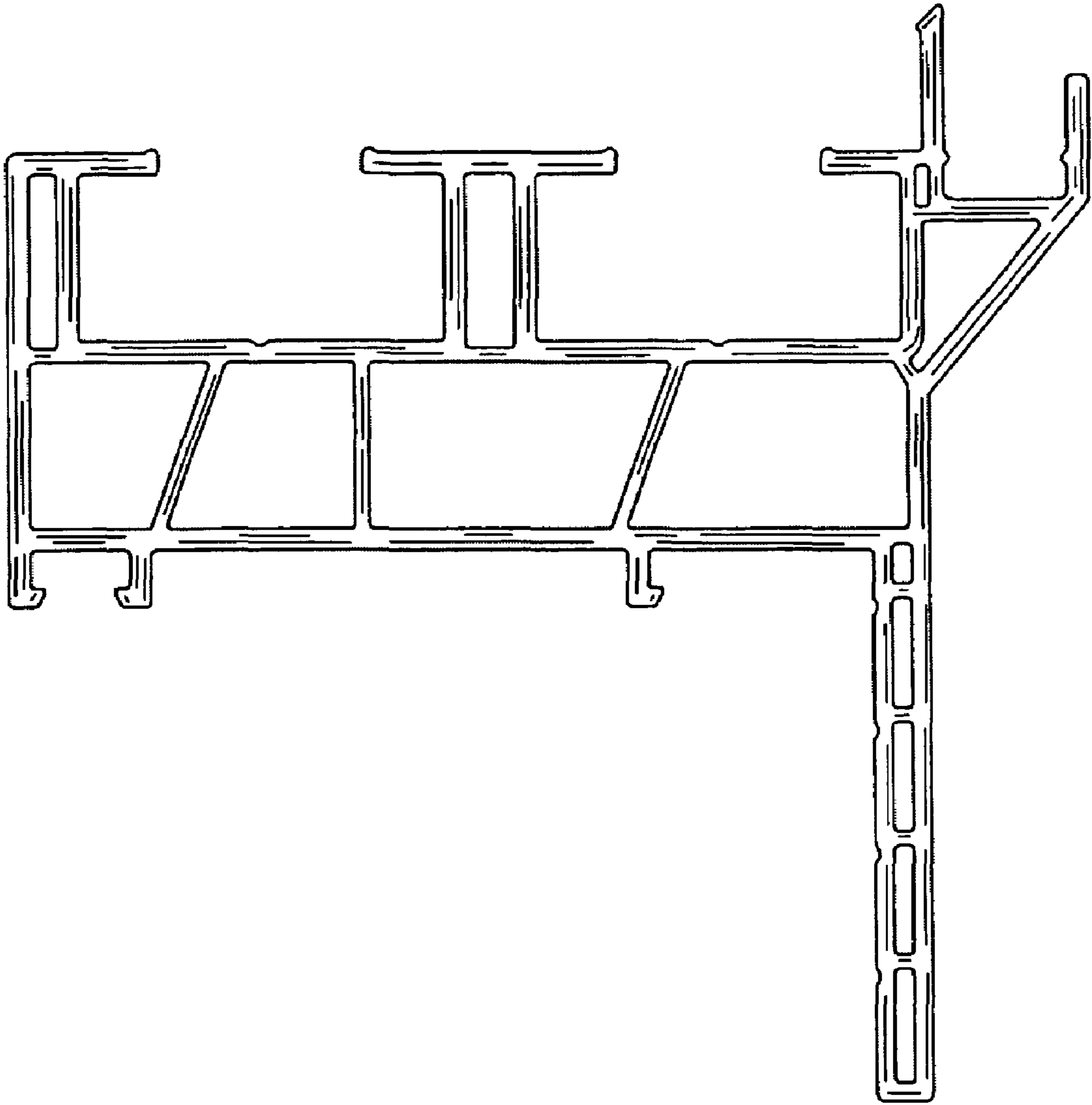


Fig. 2