



US00D608465S

(12) **United States Design Patent**
Franson

(10) **Patent No.:** **US D608,465 S**
(45) **Date of Patent:** **** Jan. 19, 2010**

(54) **WINDOW COMPONENT EXTRUSION**

Primary Examiner—Doris Clark

(75) Inventor: **Jeffrey R. Franson**, Maple Valley, WA
(US)

(57) **CLAIM**

The ornamental design for a window component extrusion, as shown and described.

(73) Assignee: **Mikron Industries, Inc.**, Kent, WA (US)

(**) Term: **14 Years**

DESCRIPTION

(21) Appl. No.: **29/314,952**

This application claims priority of the filing date of co-pending U.S. patent application Ser. No. 29/291,477 filed Aug. 30, 2007.

(22) Filed: **May 11, 2009**

FIG. 1 is a top right perspective view of a window component extrusion.

(51) **LOC (9) Cl.** **25-01**

FIG. 2 is a bottom left perspective view thereof.

(52) **U.S. Cl.** **D25/124; D25/125**

FIG. 3 is top right perspective view of second embodiment of a window component extrusion.

(58) **Field of Classification Search** D25/121, D25/122, 124, 125; 52/204.59, 204.1, 204.2, 52/204.5, 204.51, 656.5, 656.6, 213, 215, 52/208, 293.3, 204.97, 204.595, 204.71, 52/730.3, 656.2, 207, 204.7; 49/209, 501, 49/504, DIG. 2, 169

FIG. 4 is bottom left perspective view thereof.

See application file for complete search history.

FIG. 5 is a top right perspective view of third embodiment of a window component extrusion.

FIG. 6 is a bottom left perspective view thereof.

(56) **References Cited**

FIG. 7 is a top right perspective view of a fourth embodiment of a window component extrusion; and,

U.S. PATENT DOCUMENTS

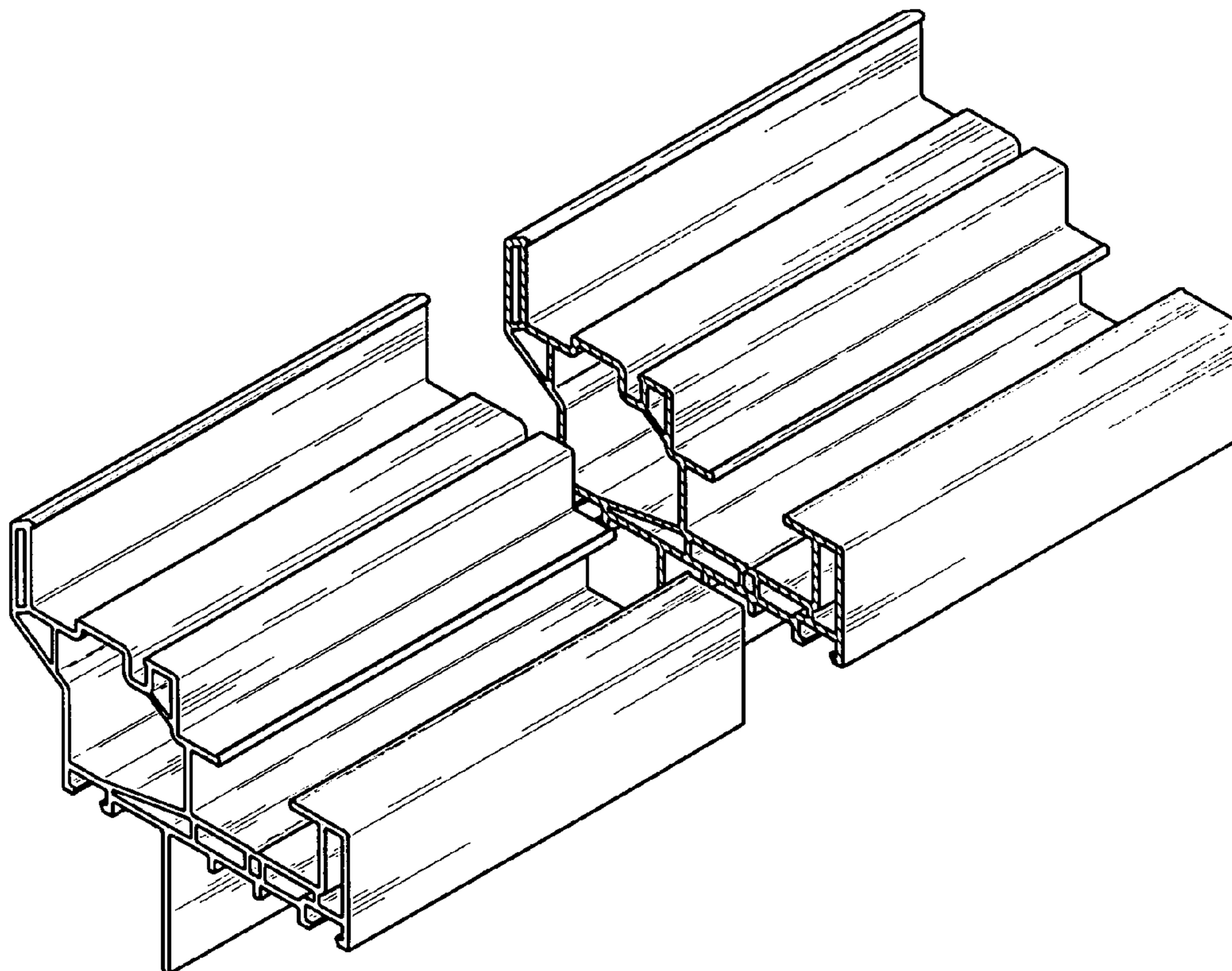
FIG. 8 a bottom left perspective view thereof.

D442,291 S * 5/2001 Ballard et al. D25/124
D496,741 S * 9/2004 Franson D25/124

The claimed design is broken in the center indicating indefinite length.

* cited by examiner

1 Claim, 4 Drawing Sheets



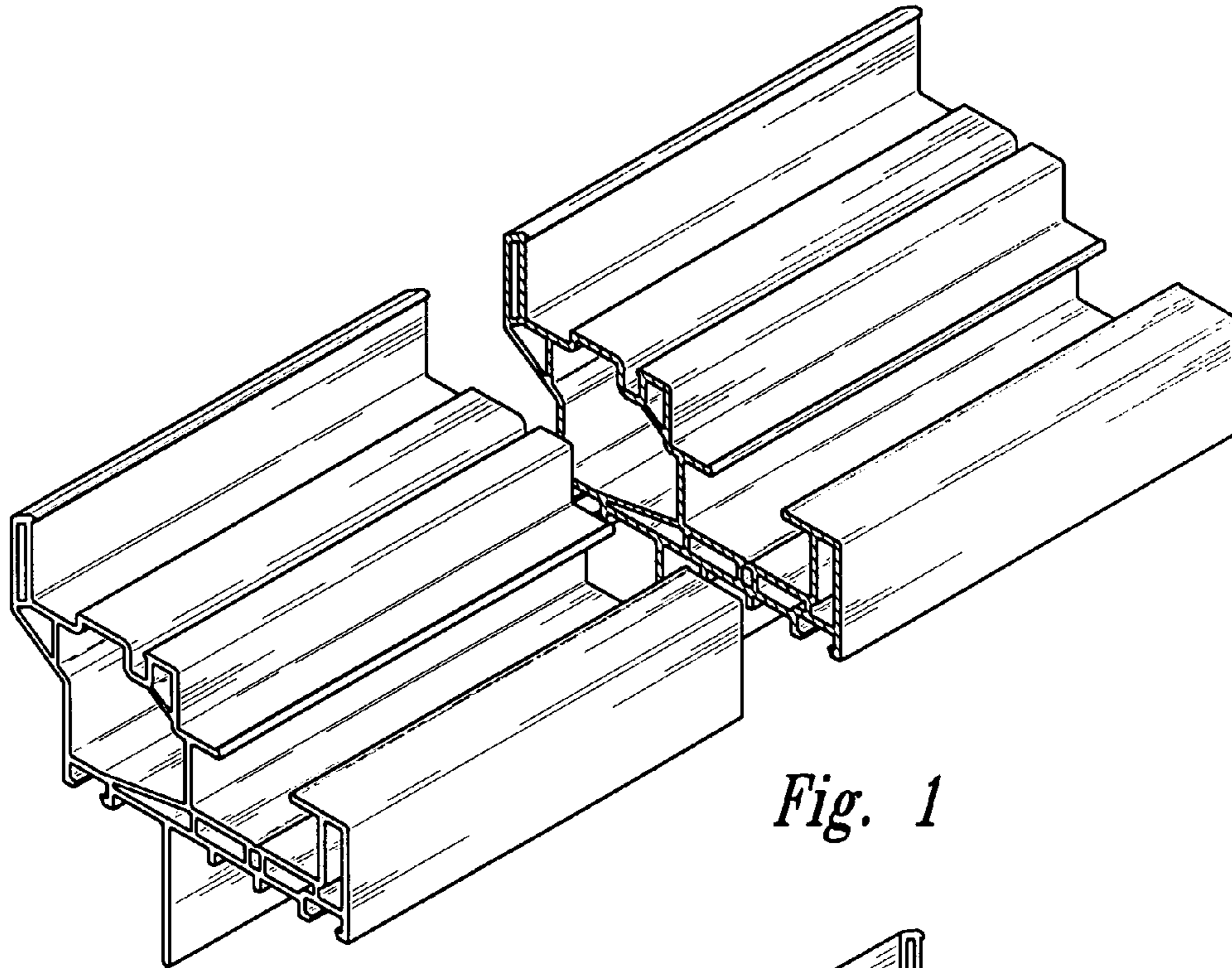


Fig. 1

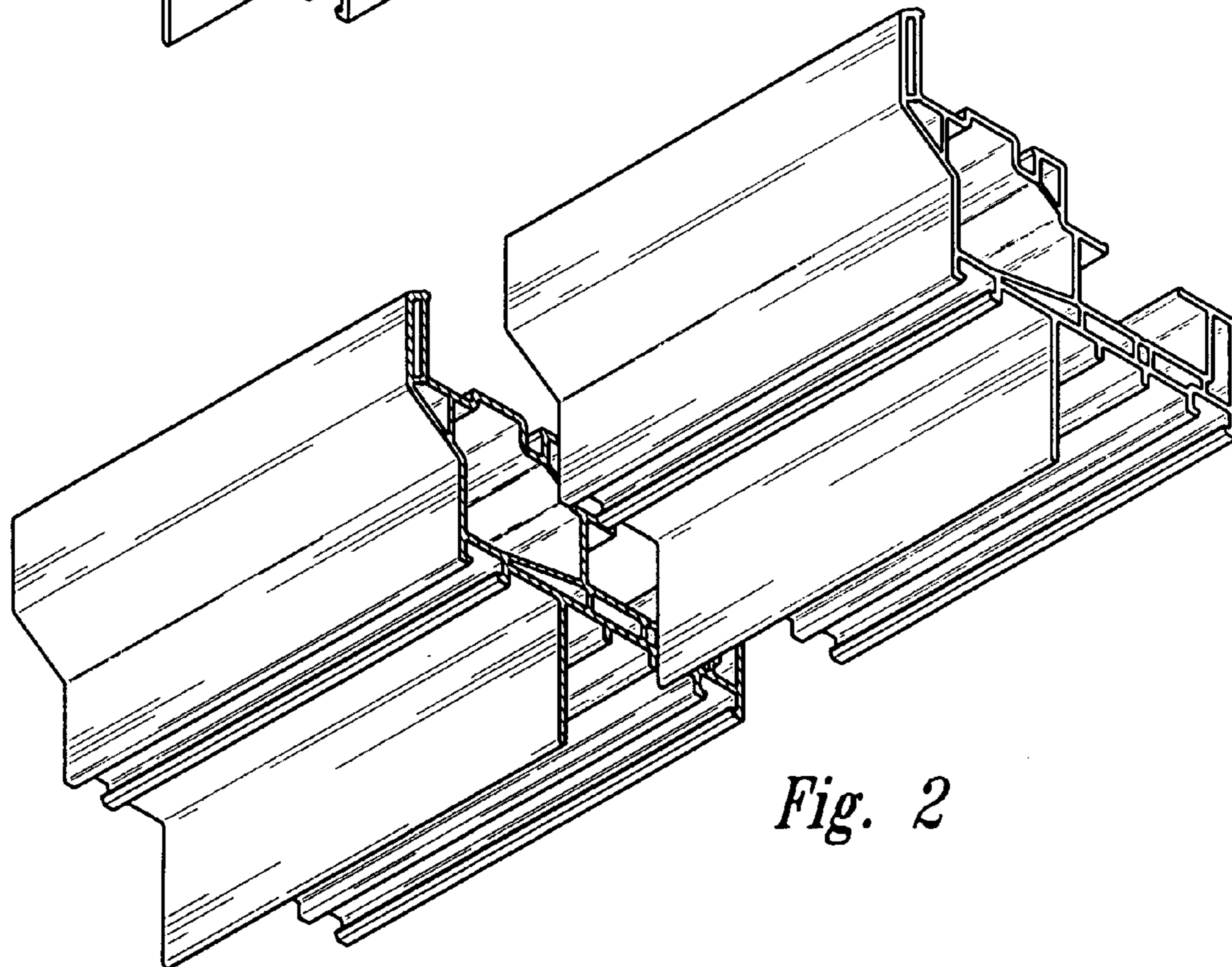


Fig. 2

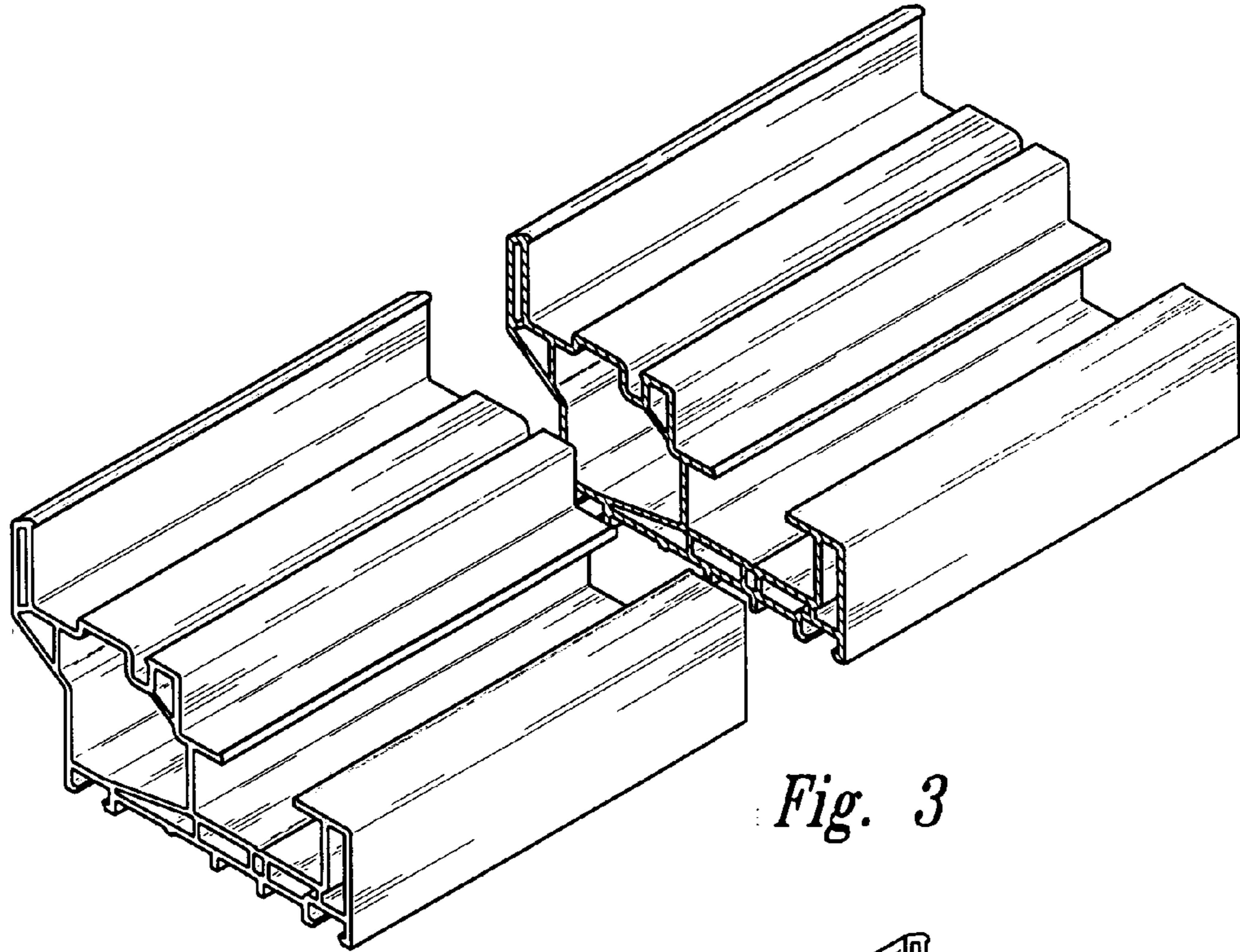


Fig. 3

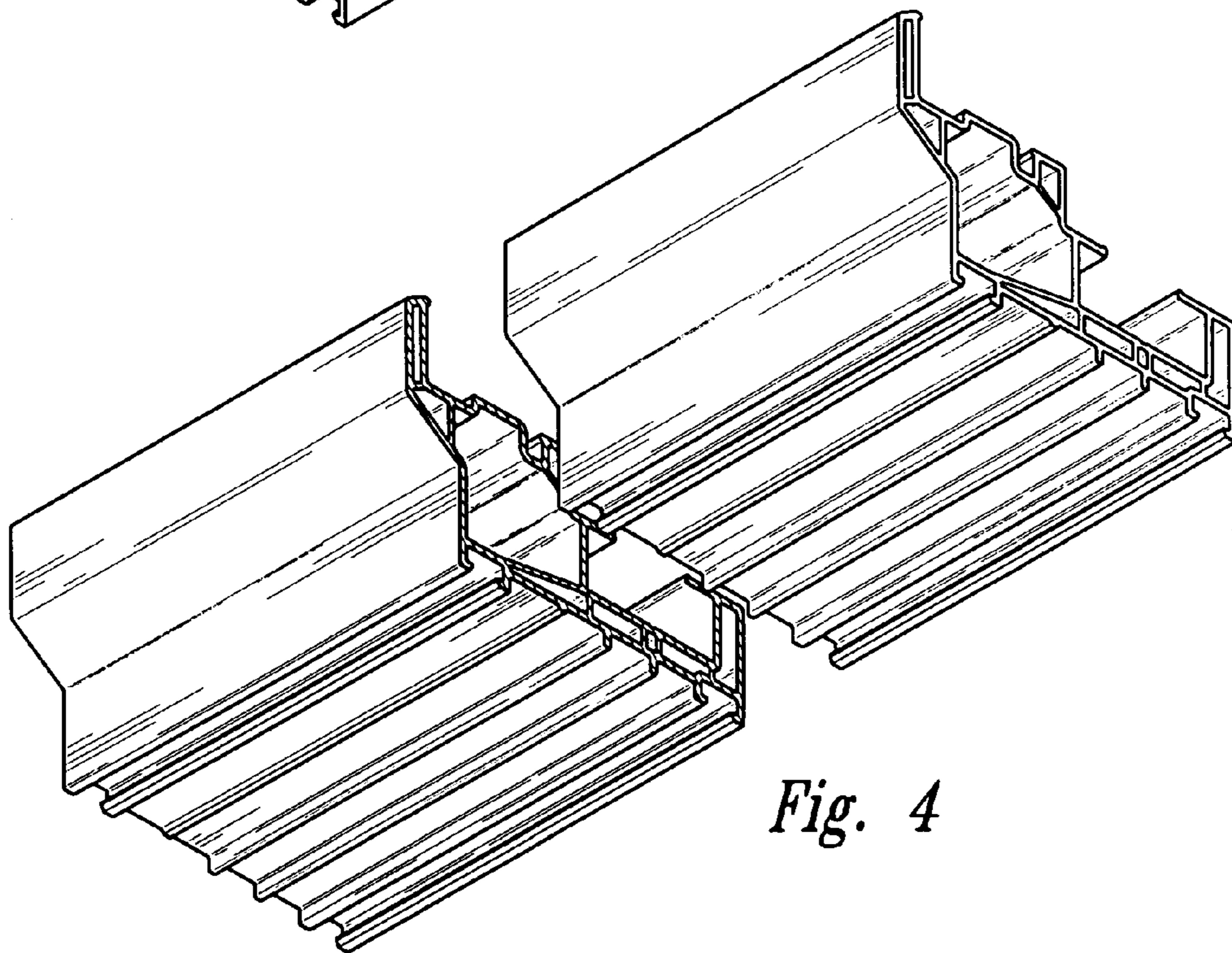


Fig. 4

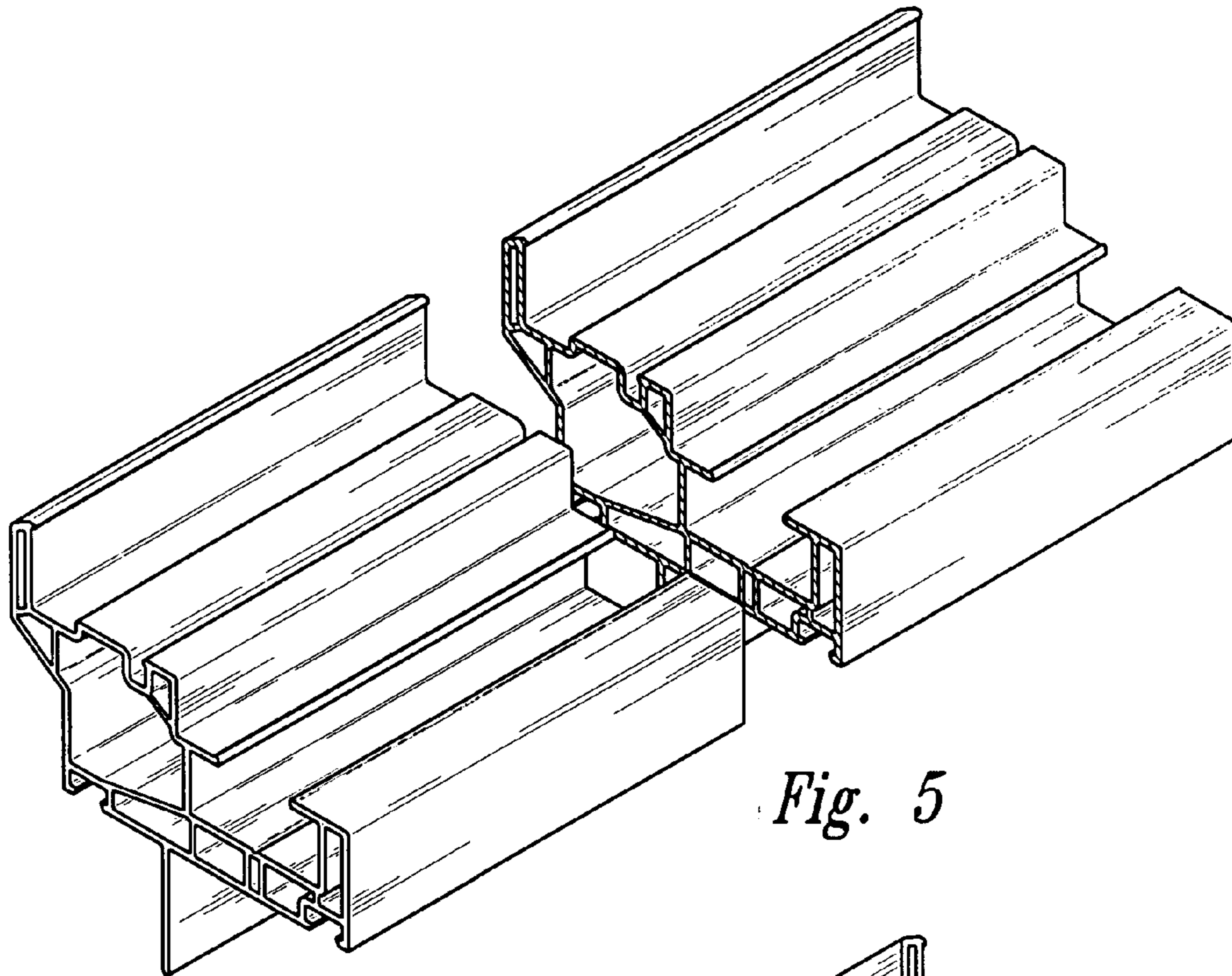


Fig. 5

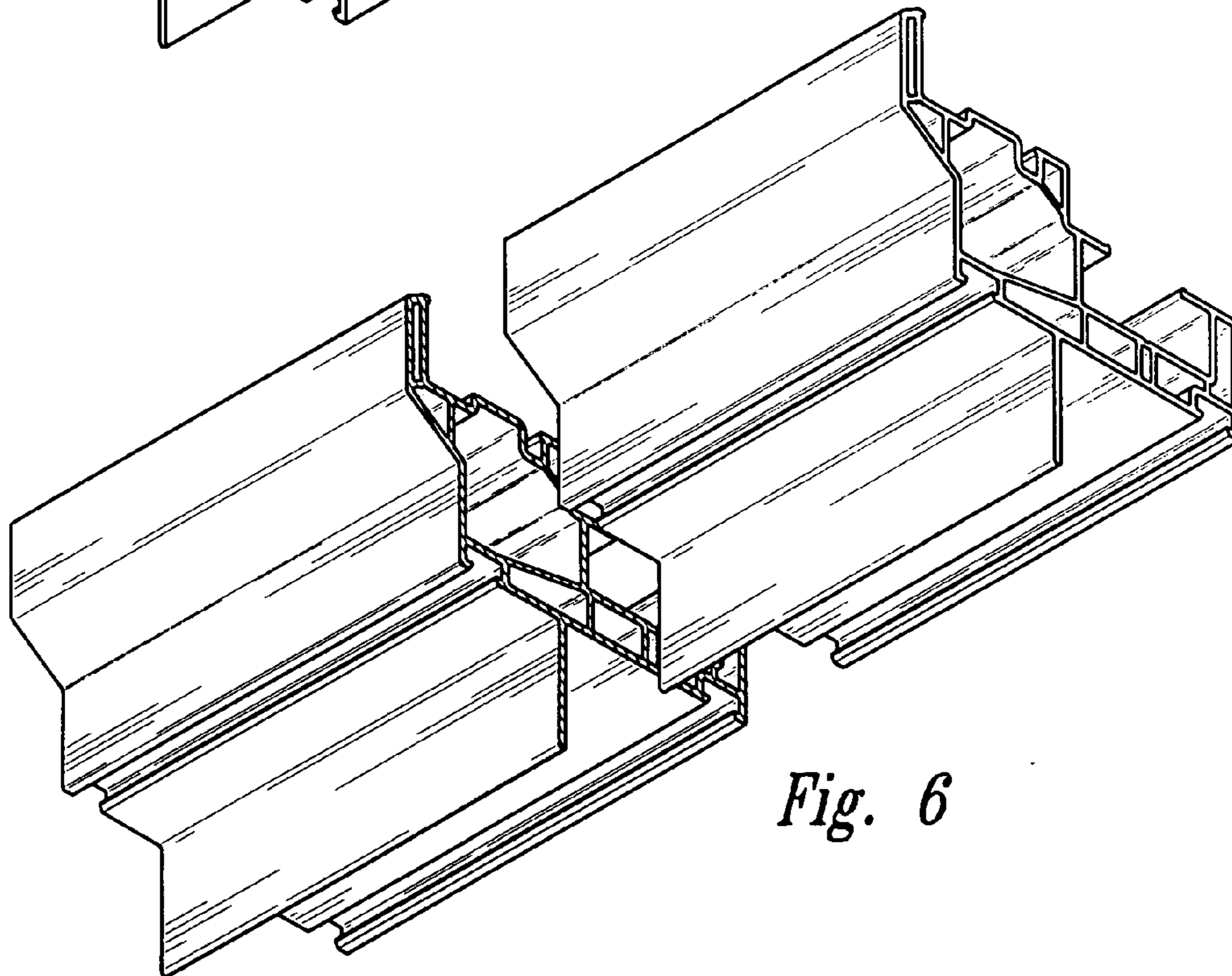


Fig. 6

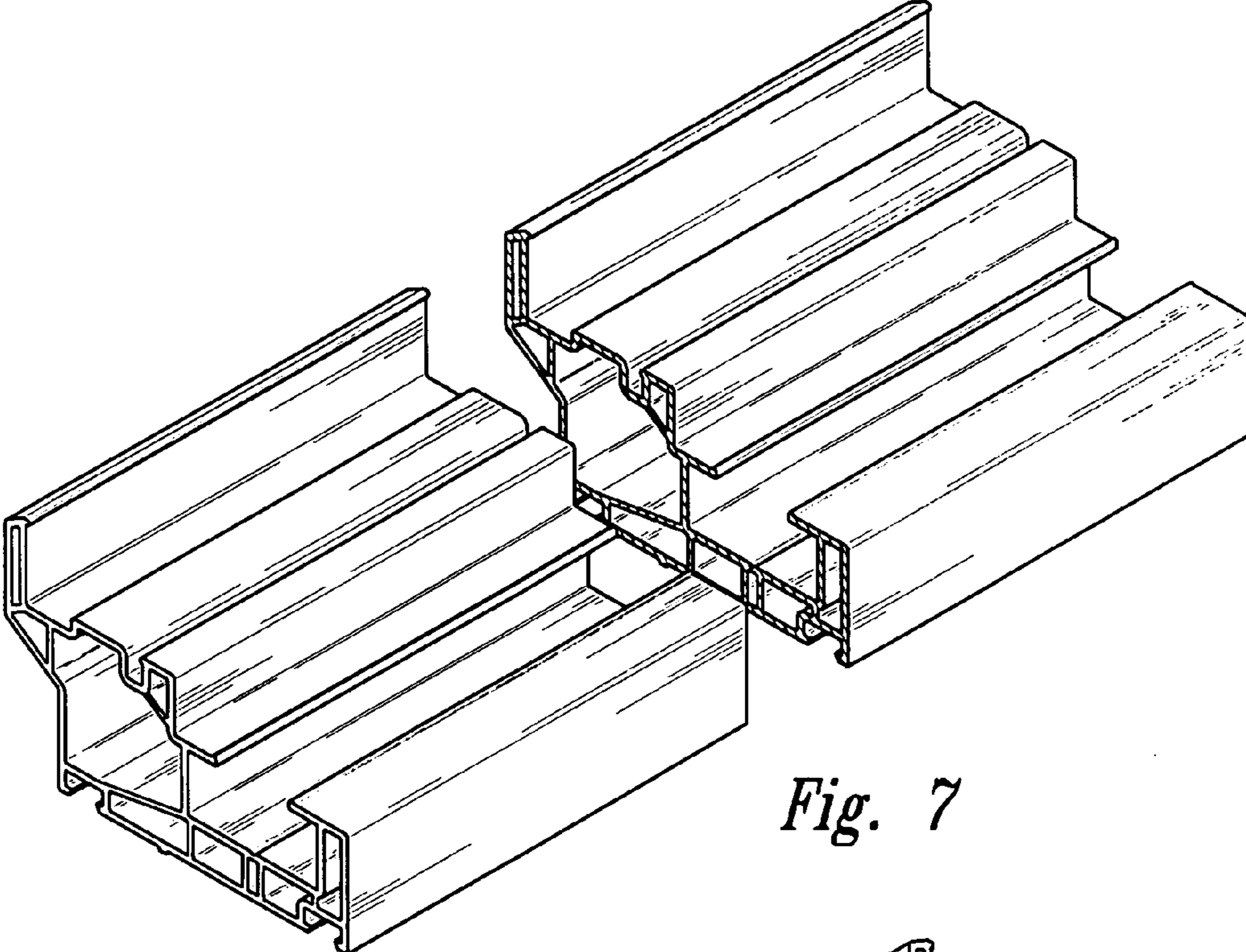


Fig. 7

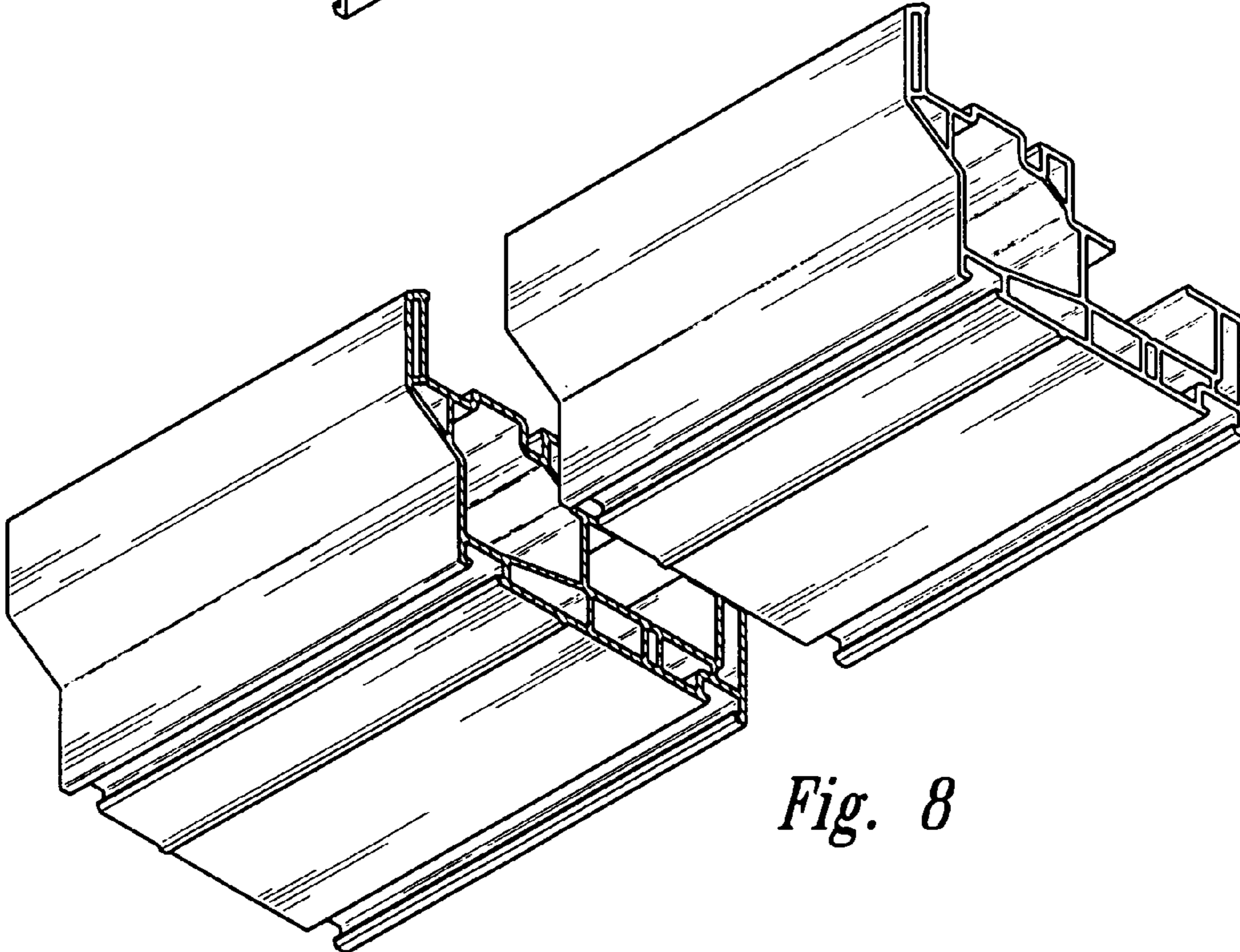


Fig. 8