



US00D608463S

(12) **United States Design Patent**
Rainey

(10) **Patent No.:** **US D608,463 S**

(45) **Date of Patent:** **** *Jan. 19, 2010**

(54) **RETAINING WALL BLOCK**

(76) **Inventor:** **Thomas L. Rainey**, 1427 Walcutt's Way,
Marietta, GA (US) 30064

(*) **Notice:** This patent is subject to a terminal disclaimer.

(**) **Term:** **14 Years**

(21) **Appl. No.:** **29/325,271**

(22) **Filed:** **Sep. 29, 2008**

(51) **LOC (9) Cl.** **25-01**

(52) **U.S. Cl.** **D25/113**

(58) **Field of Classification Search** D25/102,
D25/112-118, 136, 138, 152-162, 164; D21/484-491,
D21/499-502; 405/16, 17, 33, 35, 284, 286;
52/503-505, 574, 575, 596-605, 609-612;
404/29-31

See application file for complete search history.

(56) **References Cited**

U.S. PATENT DOCUMENTS

- 5,257,880 A * 11/1993 Janopaul, Jr. 405/284
- D359,811 S * 6/1995 Nerison D25/118
- 5,951,210 A * 9/1999 Maguire et al. 405/286
- 6,536,994 B2 * 3/2003 Race 405/262
- 6,854,231 B2 * 2/2005 MacDonald et al. 52/608

- D526,067 S * 8/2006 Rainey D25/114
- D527,113 S * 8/2006 Rainey D25/118
- D530,832 S * 10/2006 Rainey D25/114
- 7,114,887 B1 * 10/2006 Rainey 405/262

* cited by examiner

Primary Examiner—T. Chase Nelson

Assistant Examiner—Anhdao Doan

(74) *Attorney, Agent, or Firm*—Thomas, Kayden,
Horstemeyer & Risley, LLP

(57) **CLAIM**

The ornamental design for a retaining wall block, as shown and described.

DESCRIPTION

FIG. 1 is a perspective view showing my new retaining wall block;

FIG. 2 is a front view thereof;

FIG. 3 is a right side view thereof; the left side view thereof being a mirror image of that which is shown,

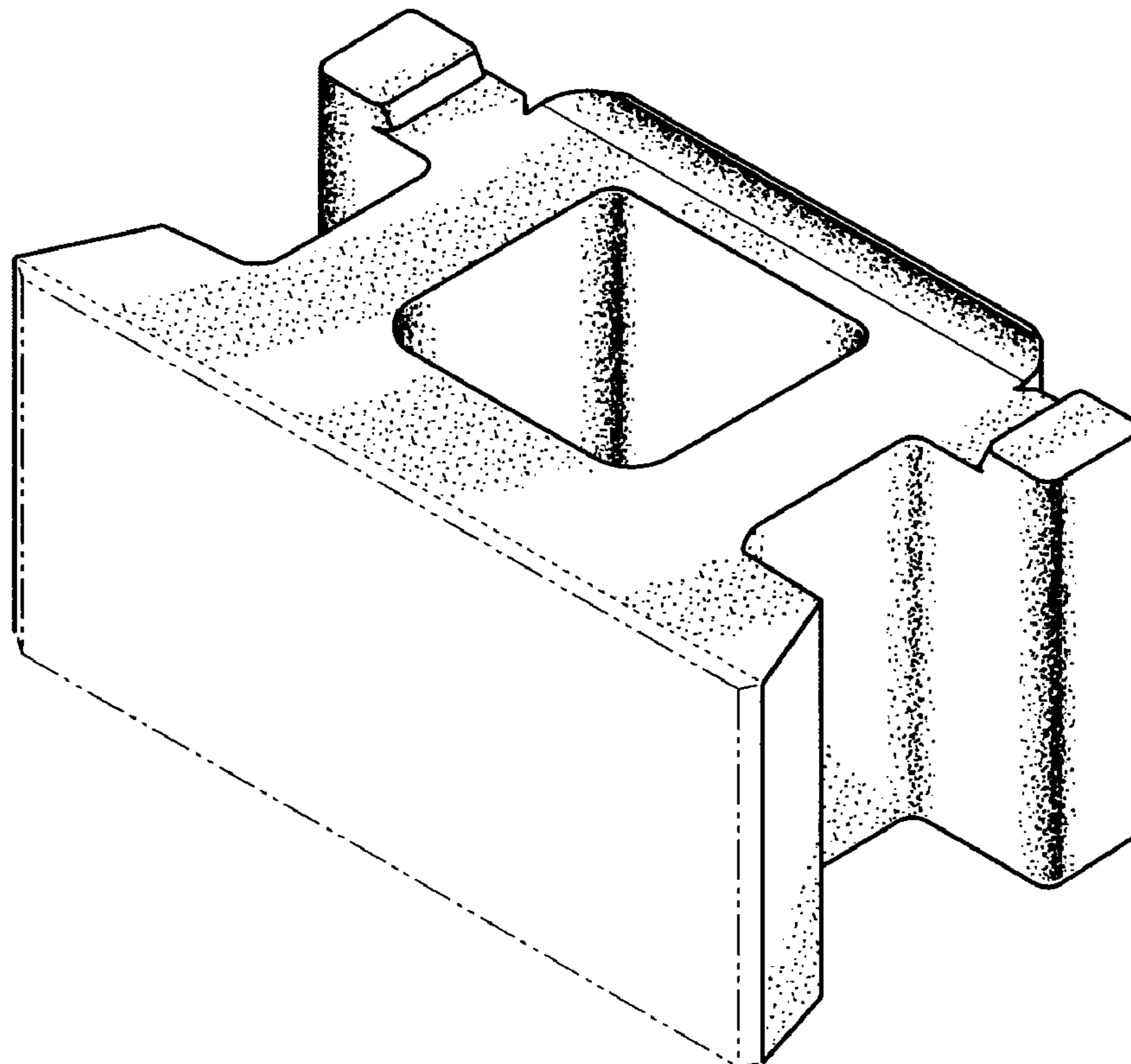
FIG. 4 is a rear view thereof;

FIG. 5 is a top view thereof; and,

FIG. 6 is a bottom view thereof.

The broken lines in the drawings illustrate a portion of the retaining wall block that forms no part of the claimed design.

1 Claim, 3 Drawing Sheets



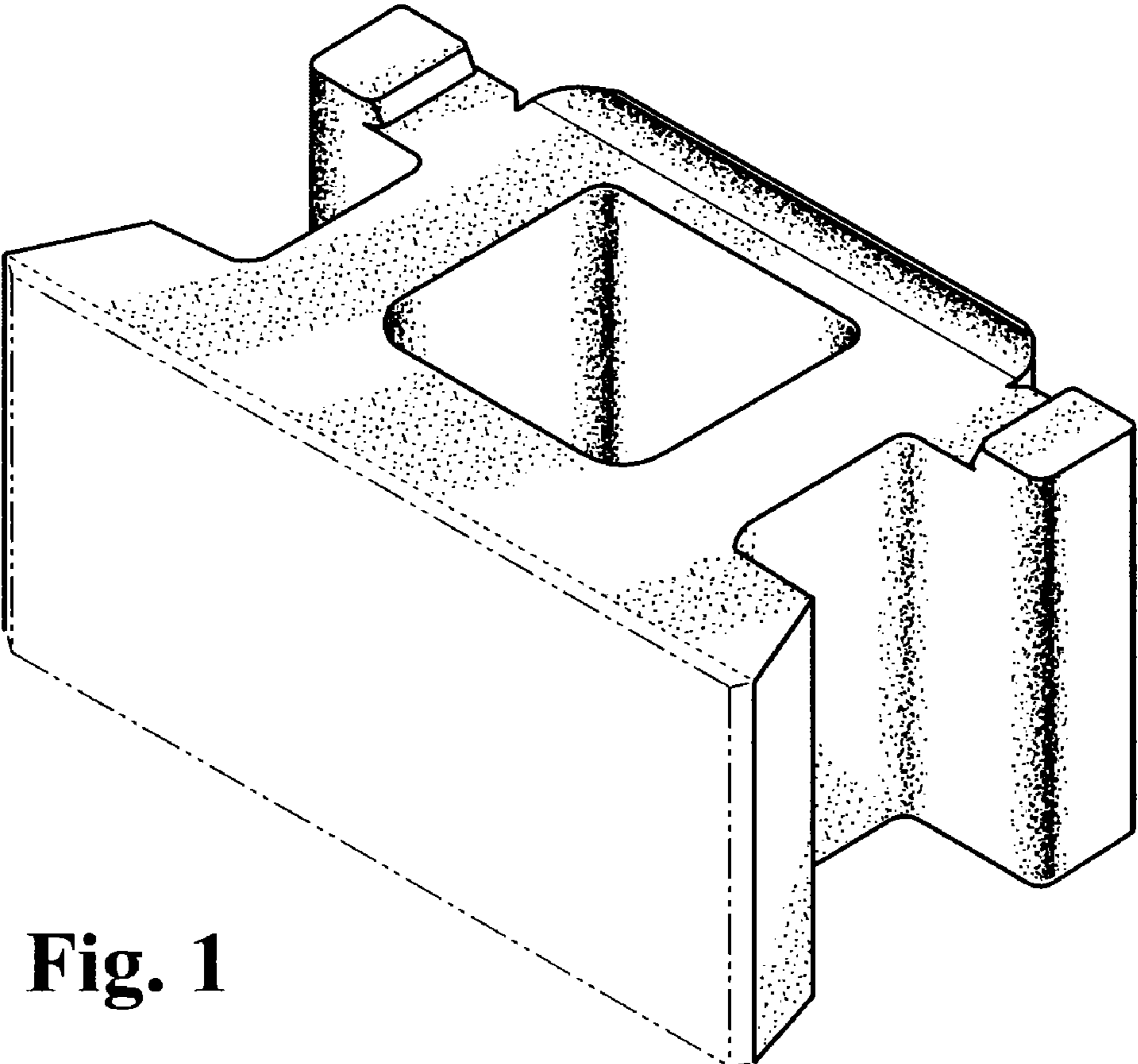


Fig. 1



Fig. 2

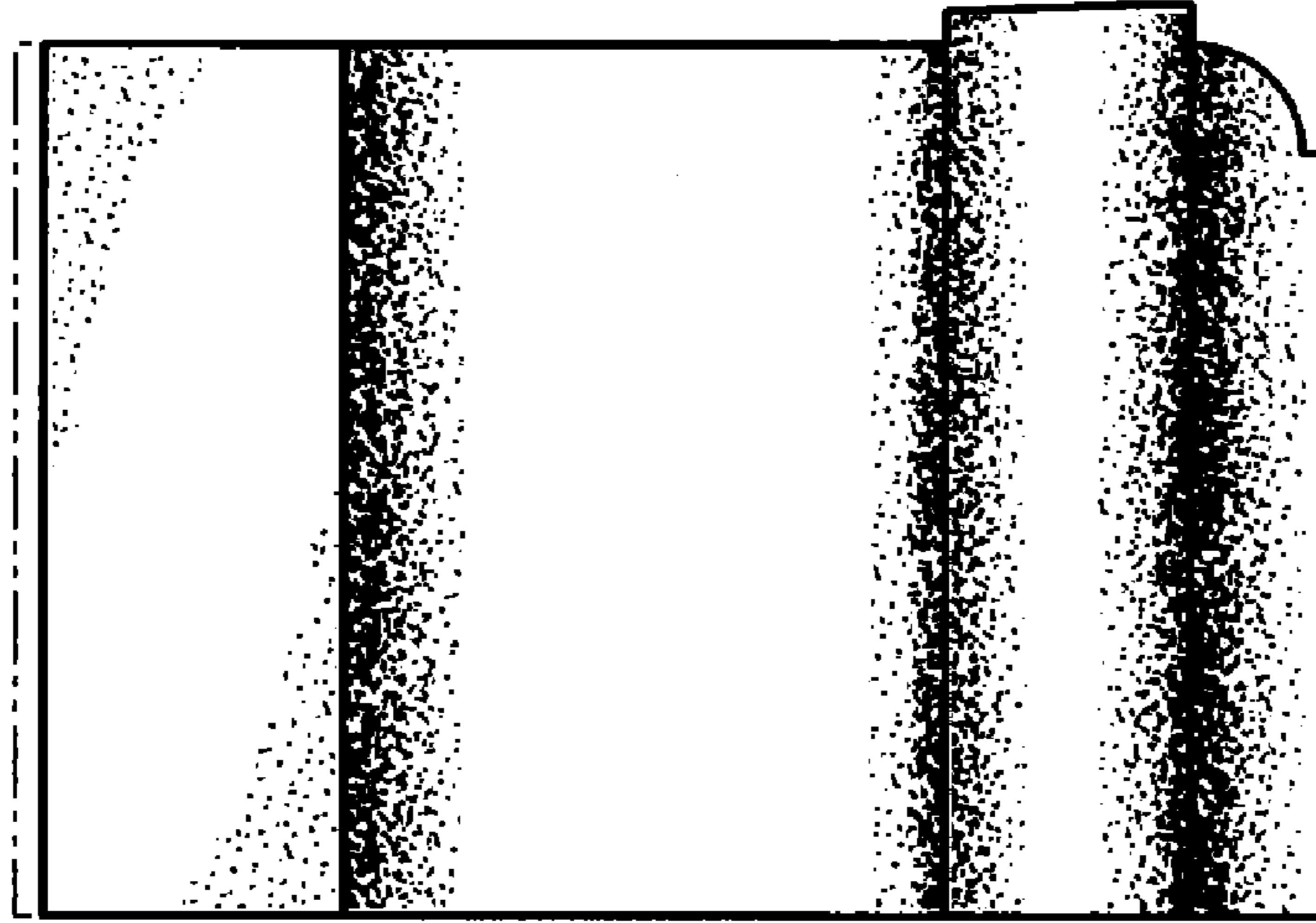


Fig. 3

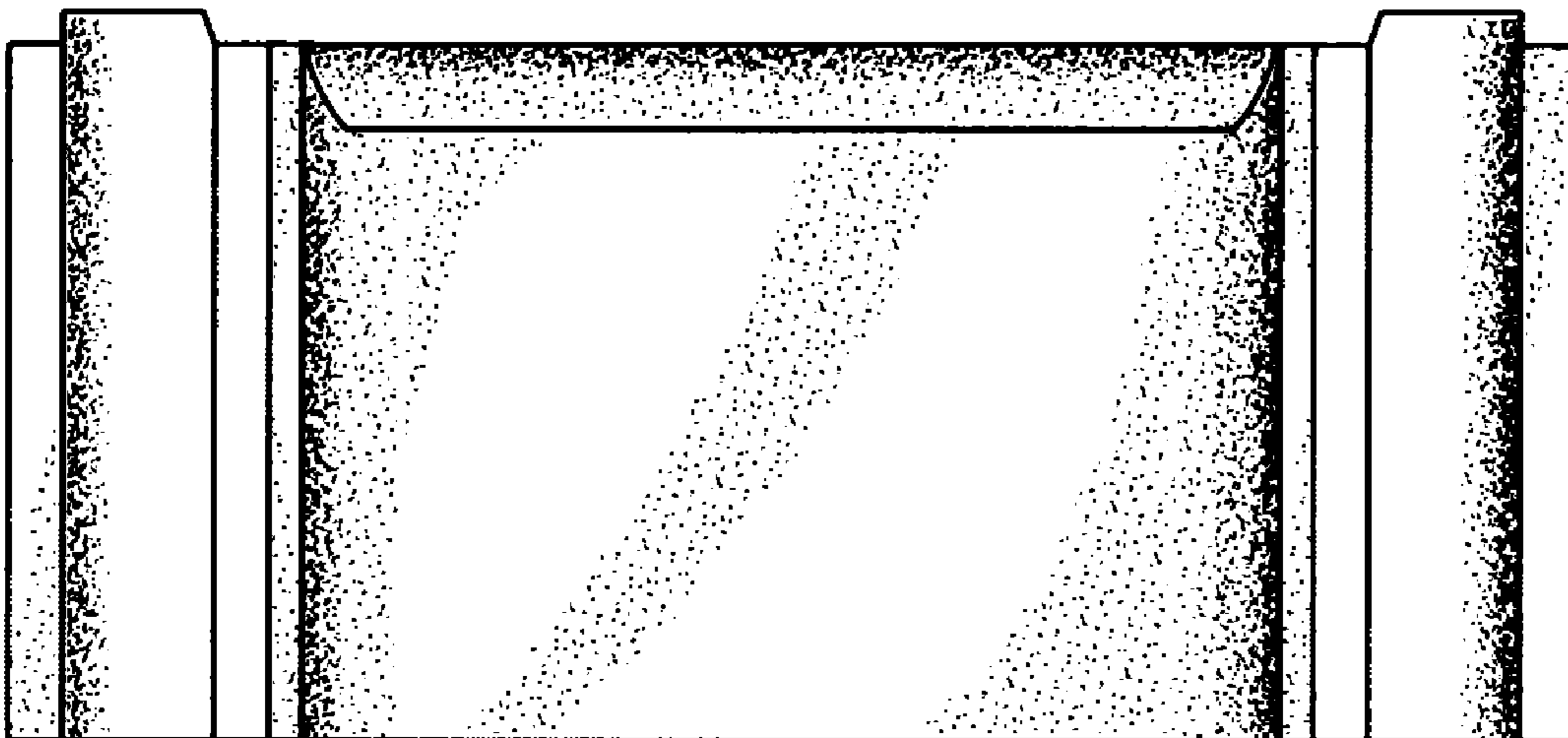


Fig. 4

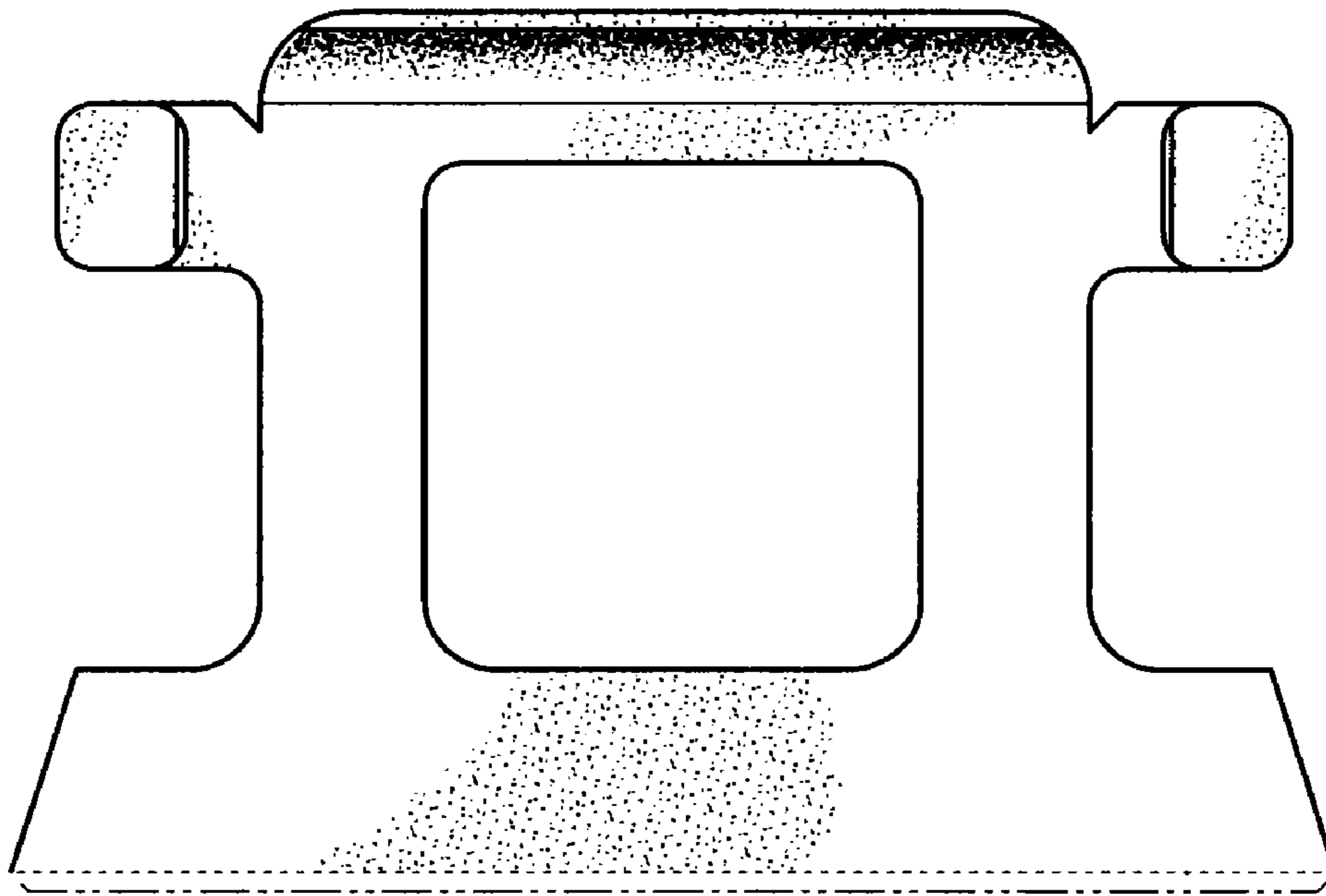


Fig. 5

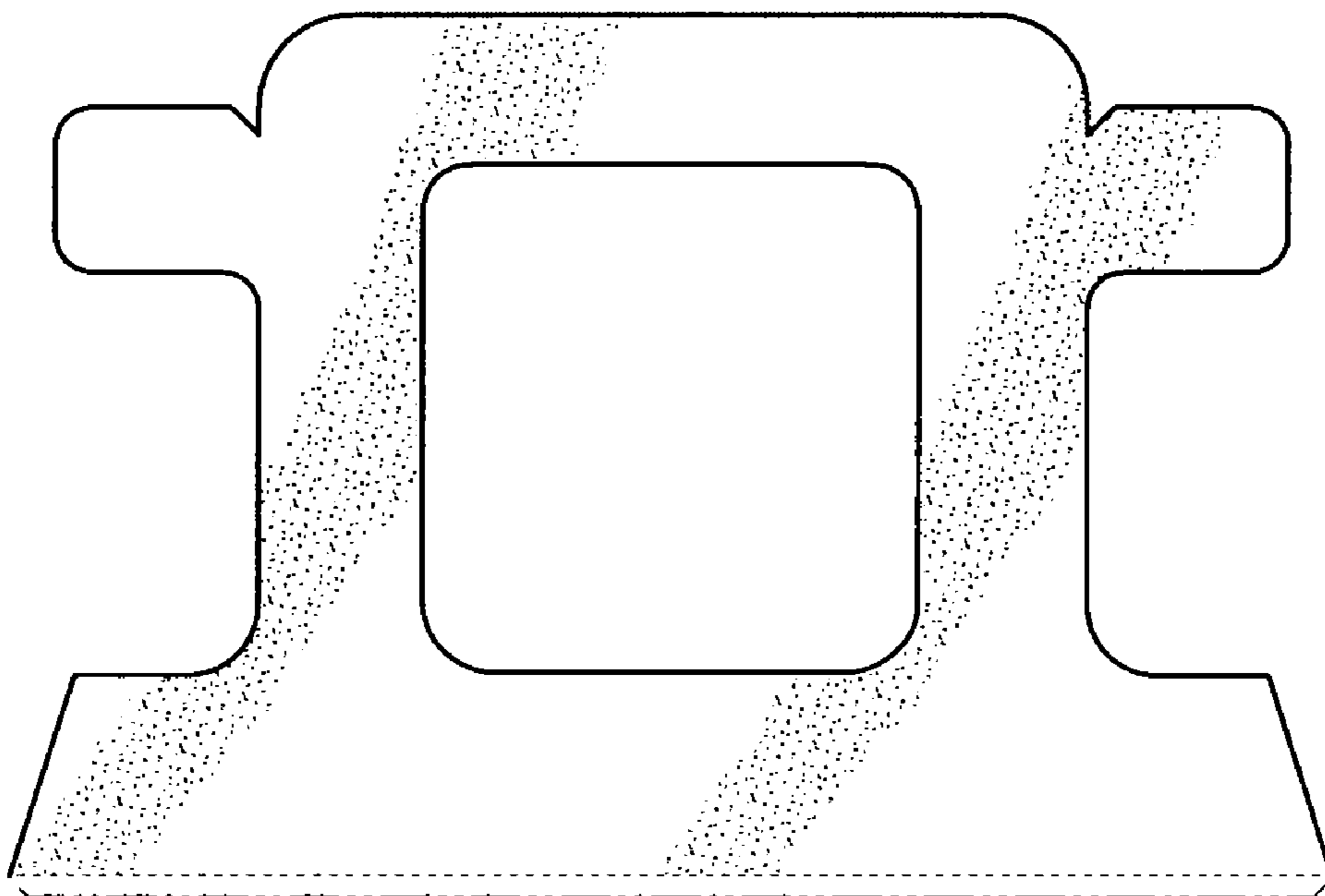


Fig. 6