



US00D608462S

(12) **United States Design Patent**
Hammer

(10) **Patent No.:** **US D608,462 S**
(45) **Date of Patent:** **** Jan. 19, 2010**

(54) **WALL BLOCK**

(75) Inventor: **James Hammer**, University Place, WA
(US)

(73) Assignee: **Westblock Systems, Inc.**, Salem, OR
(US)

(**) Term: **14 Years**

(21) Appl. No.: **29/322,476**

(22) Filed: **Aug. 5, 2008**

(51) **LOC (9) Cl.** **25-01**

(52) **U.S. Cl.** **D25/113**

(58) **Field of Classification Search** D25/102,
D25/112-118, 136, 138, 152-162, 164; D21/484-491,
D21/499-502; 405/16, 17, 33, 35, 284, 286;
52/503-505, 574, 575, 596-605, 609-612;
404/29-31

See application file for complete search history.

(56) **References Cited**

U.S. PATENT DOCUMENTS

D245,340 S *	8/1977	Johnson	D25/118
4,301,637 A *	11/1981	Anderson	52/603
D340,775 S *	10/1993	Sauve	D25/118
5,379,565 A *	1/1995	Vienne	52/606
D408,930 S *	4/1999	Behunin	D25/114
D409,313 S *	5/1999	Behunin	D25/114
6,050,749 A *	4/2000	Khamis	405/286
6,145,266 A *	11/2000	VonDross	52/604
D492,796 S *	7/2004	Price	D25/113
D532,119 S *	11/2006	Hammer	D25/118
D575,413 S *	8/2008	Hammer et al.	D25/113

* cited by examiner

Primary Examiner—T. Chase Nelson

Assistant Examiner—Anhdao Doan

(74) *Attorney, Agent, or Firm*—Klarquist Sparkman, LLP

(57) **CLAIM**

I claim the ornamental design for a wall block, as shown and described.

DESCRIPTION

FIG. 1 is a perspective view of a wall block, according to one embodiment, as viewed from the front, top, and one side of the block.

FIG. 2 is a top plan view of the block of FIG. 1.

FIG. 3 is a side elevation view of one side of the block of FIG. 1, the opposite side being a mirror image thereof.

FIG. 4 is a front elevation view of the front of the block of FIG. 1, the back of the block being a mirror image thereof.

FIG. 5 is a bottom plan view of the block of FIG. 1.

FIG. 6 is a cross-sectional view taken along line 6—6 of FIG. 2.

FIG. 7 is a cross-sectional view taken along line 7—7 of FIG. 2.

FIG. 8 is a perspective view of a wall block, according to another embodiment, as viewed from the front, top, and one side of the block.

FIG. 9 is a top plan view of the block of FIG. 8.

FIG. 10 is a side elevation view of one side of the block of FIG. 8.

FIG. 11 is a side elevation view of the block of FIG. 8, showing the side opposite of that shown in FIG. 10.

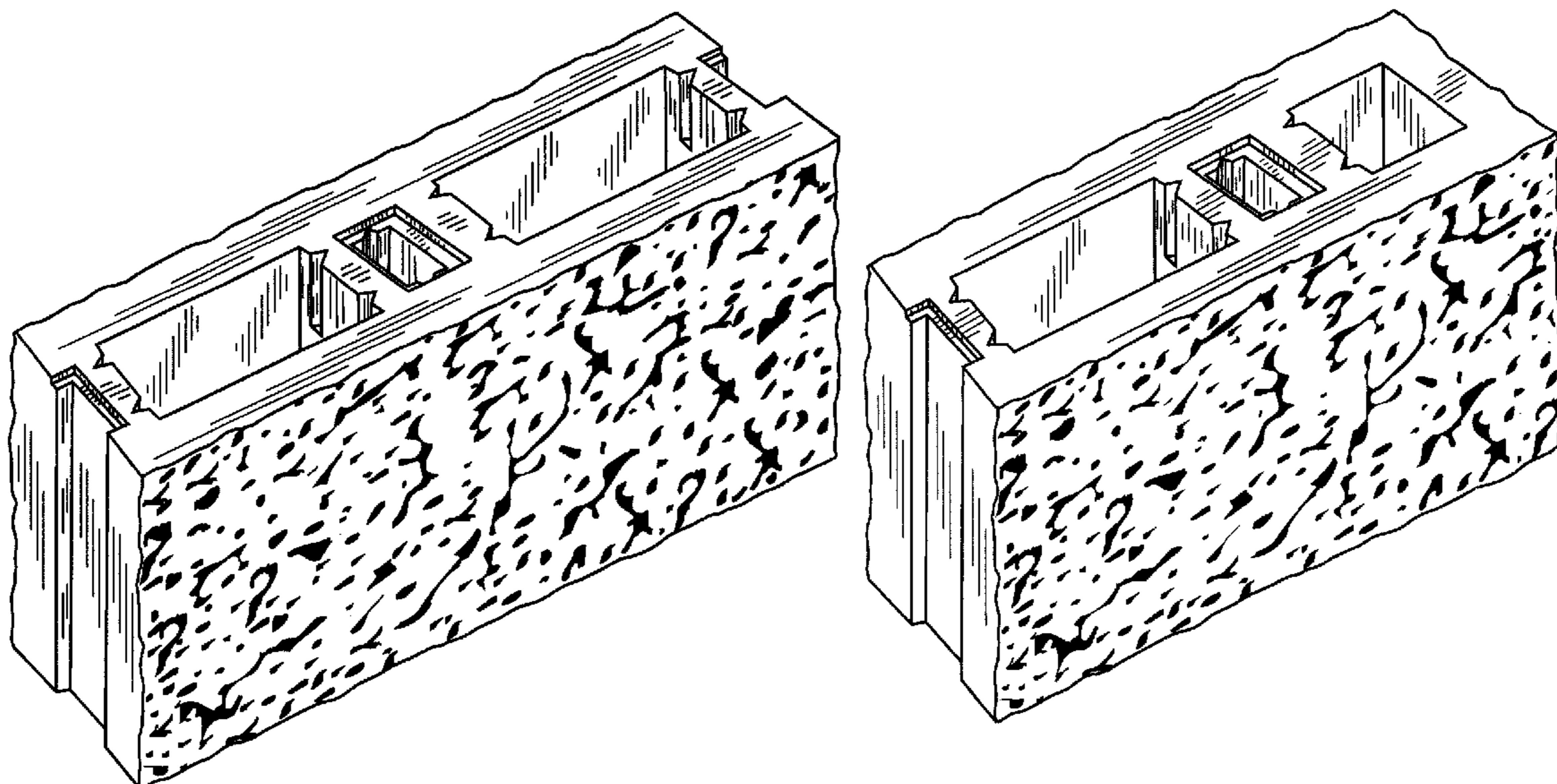
FIG. 12 is a front elevation view of the front of the block of FIG. 8, the back of the block being a mirror image thereof.

FIG. 13 is a bottom plan view of the block of FIG. 8.

FIG. 14 is a cross-sectional view taken along line 14—14 of FIG. 9; and,

FIG. 15 is a cross-sectional view taken along line 15—15 of FIG. 9.

1 Claim, 5 Drawing Sheets



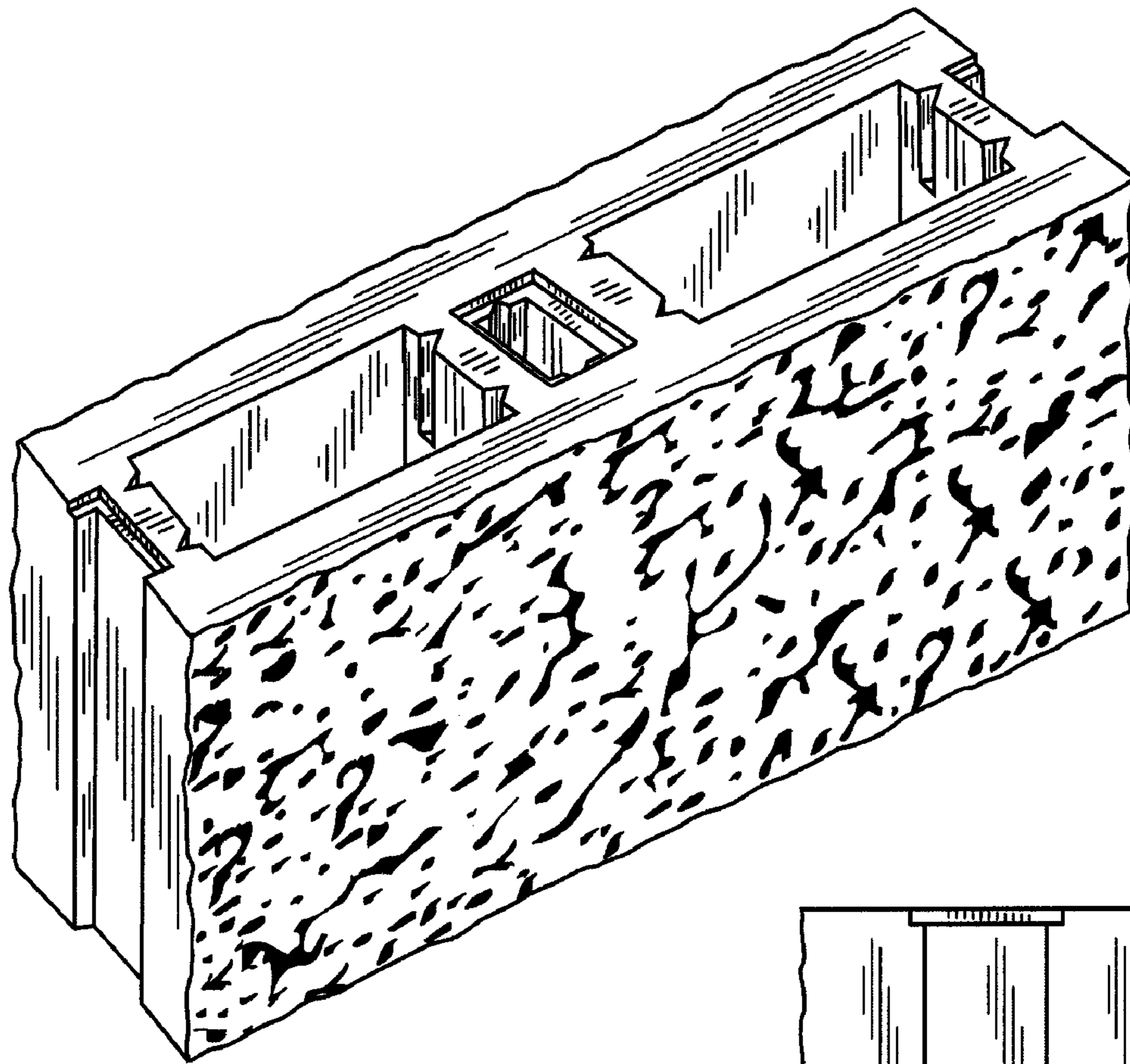


FIG. 1

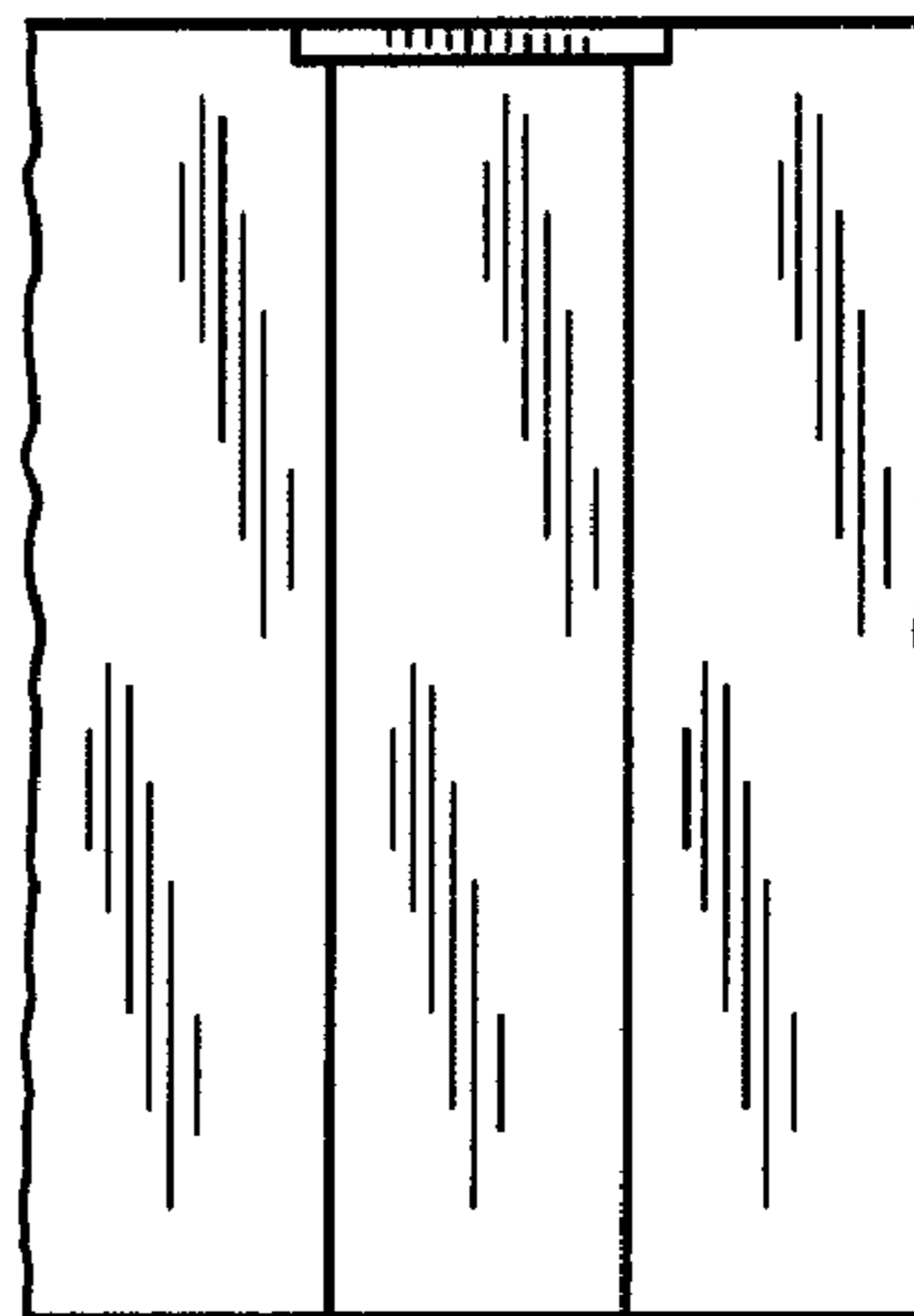
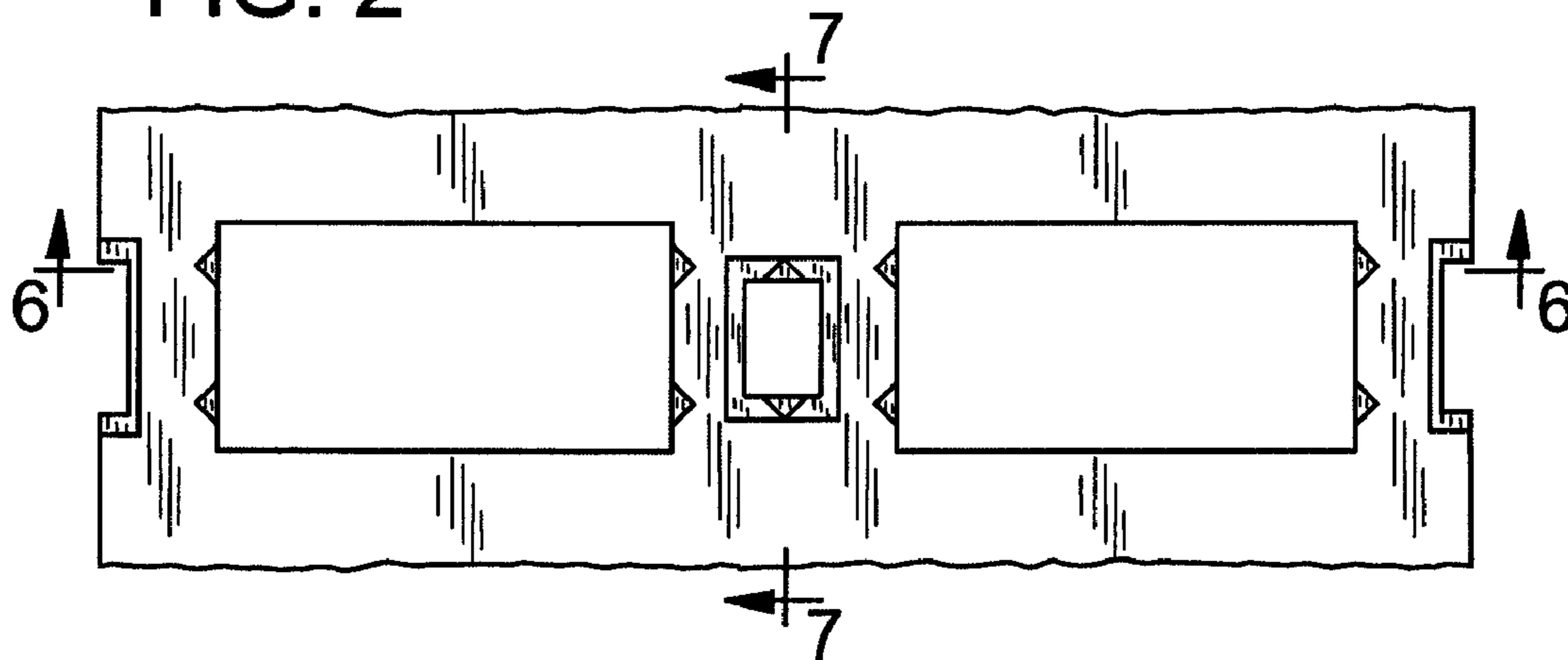


FIG. 3

FIG. 2



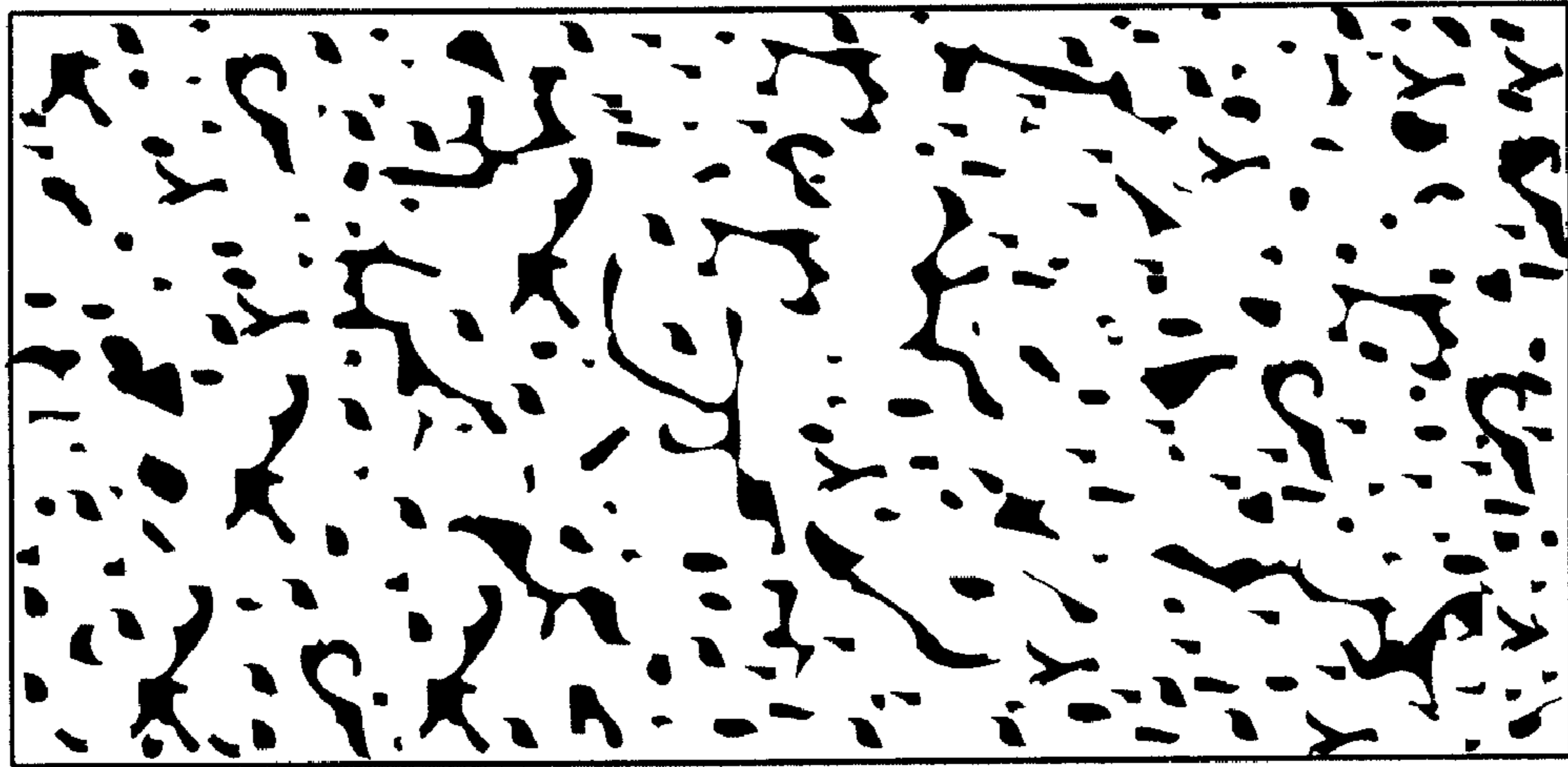


FIG. 4

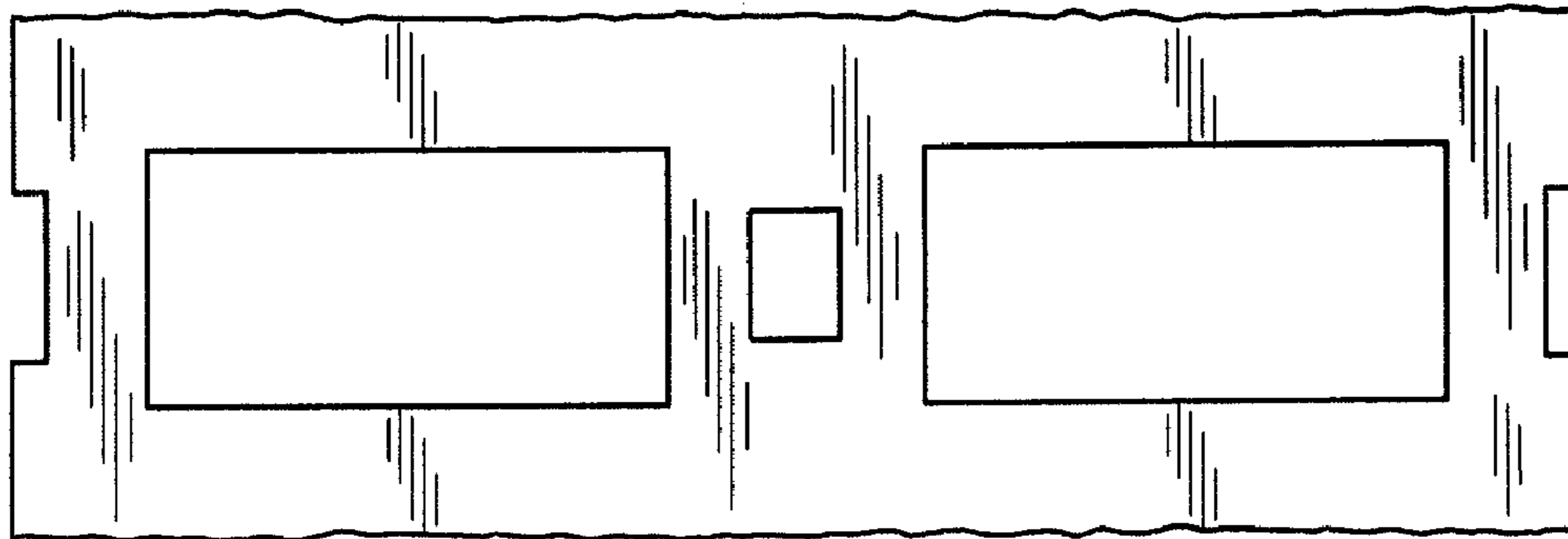


FIG. 5

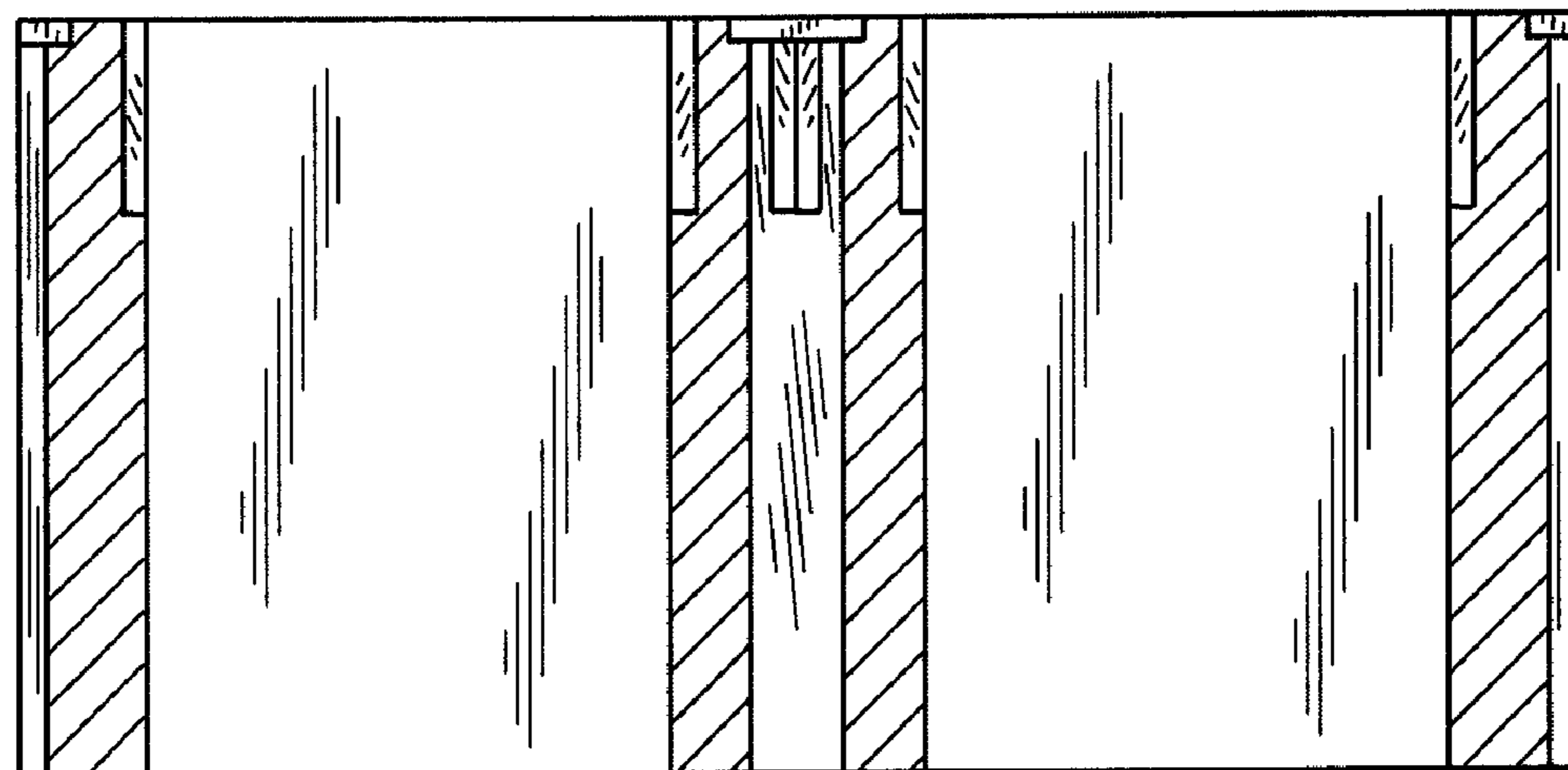


FIG. 6

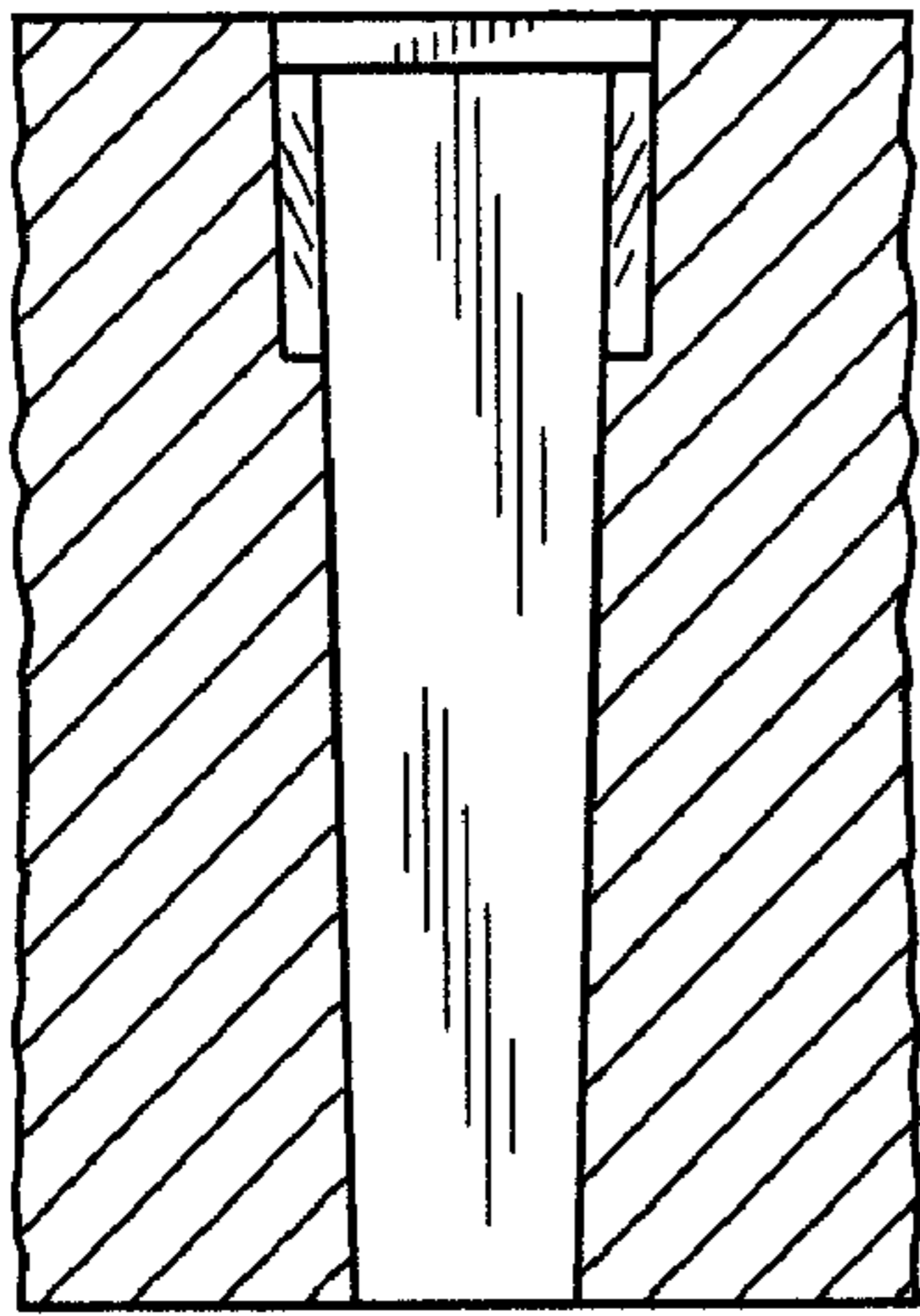


FIG. 7

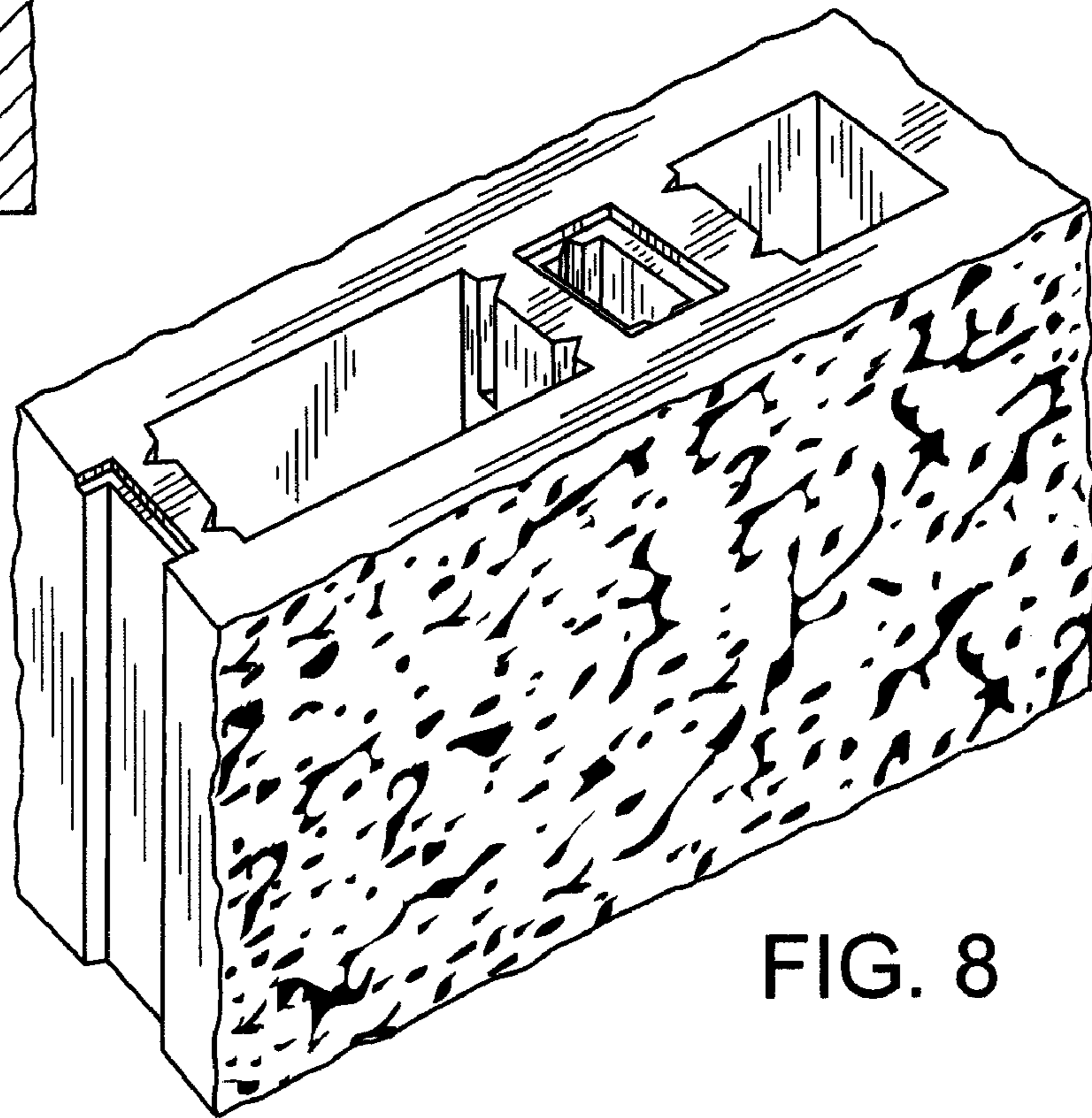


FIG. 8

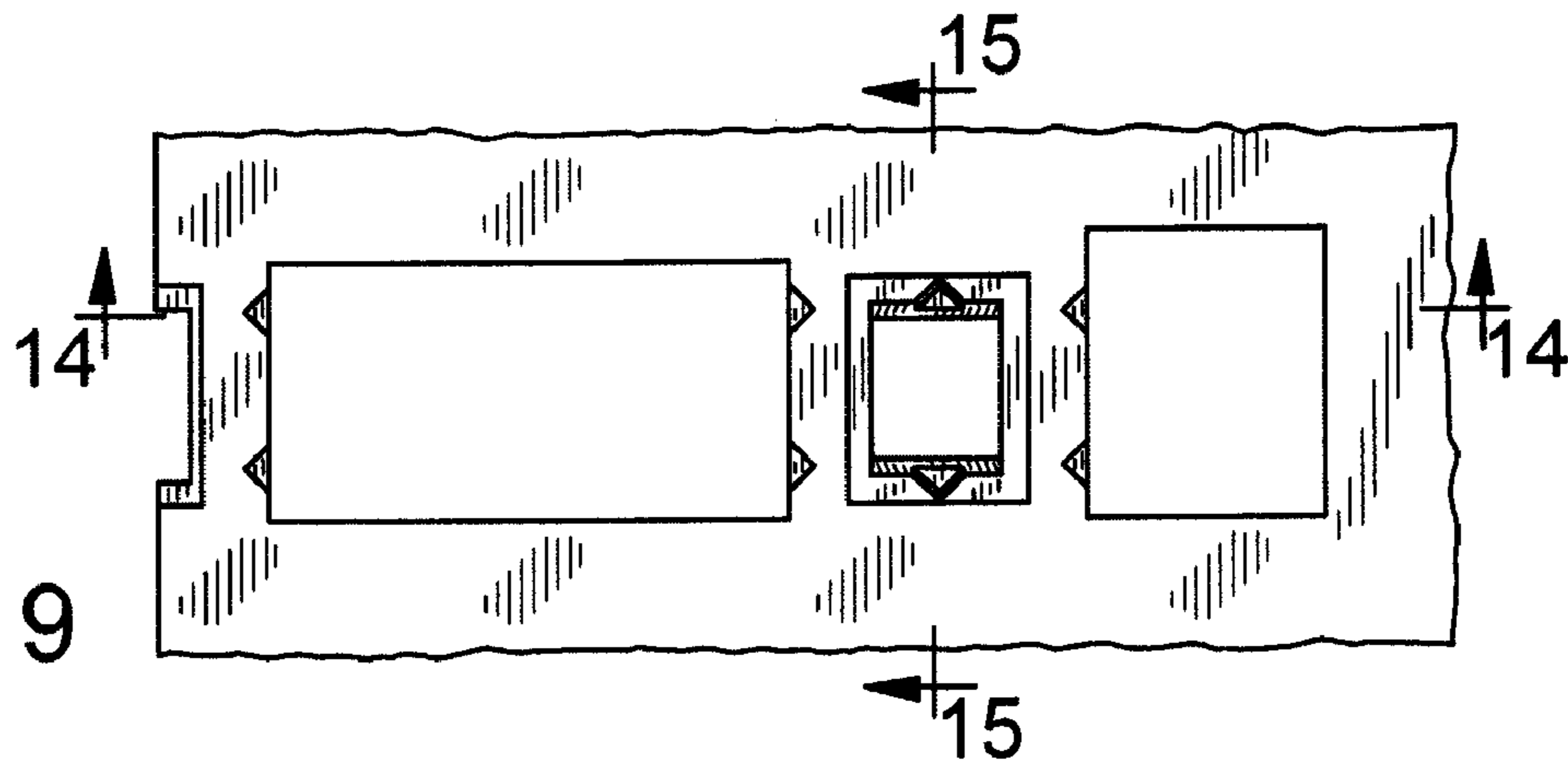


FIG. 9

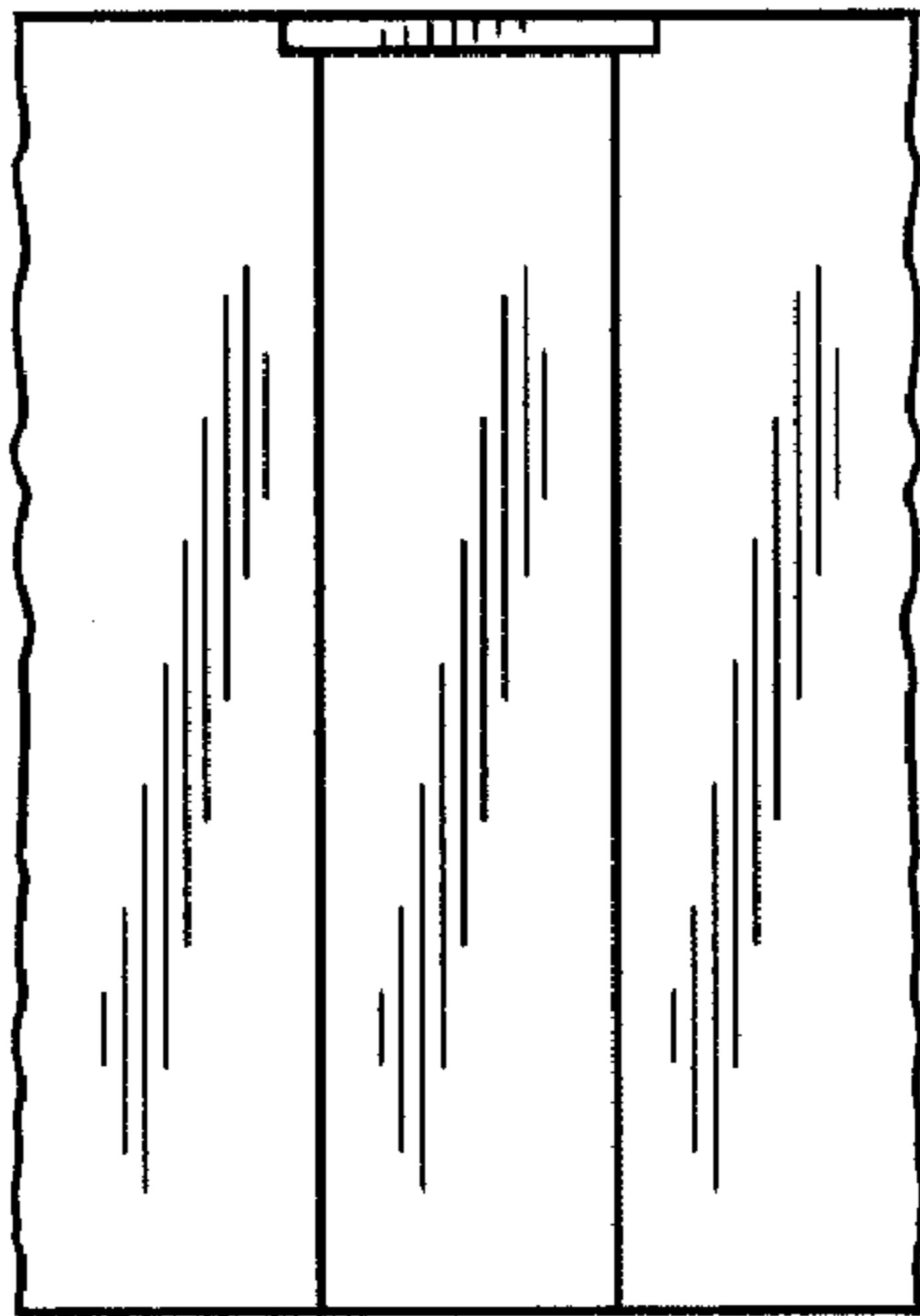


FIG. 10



FIG. 11

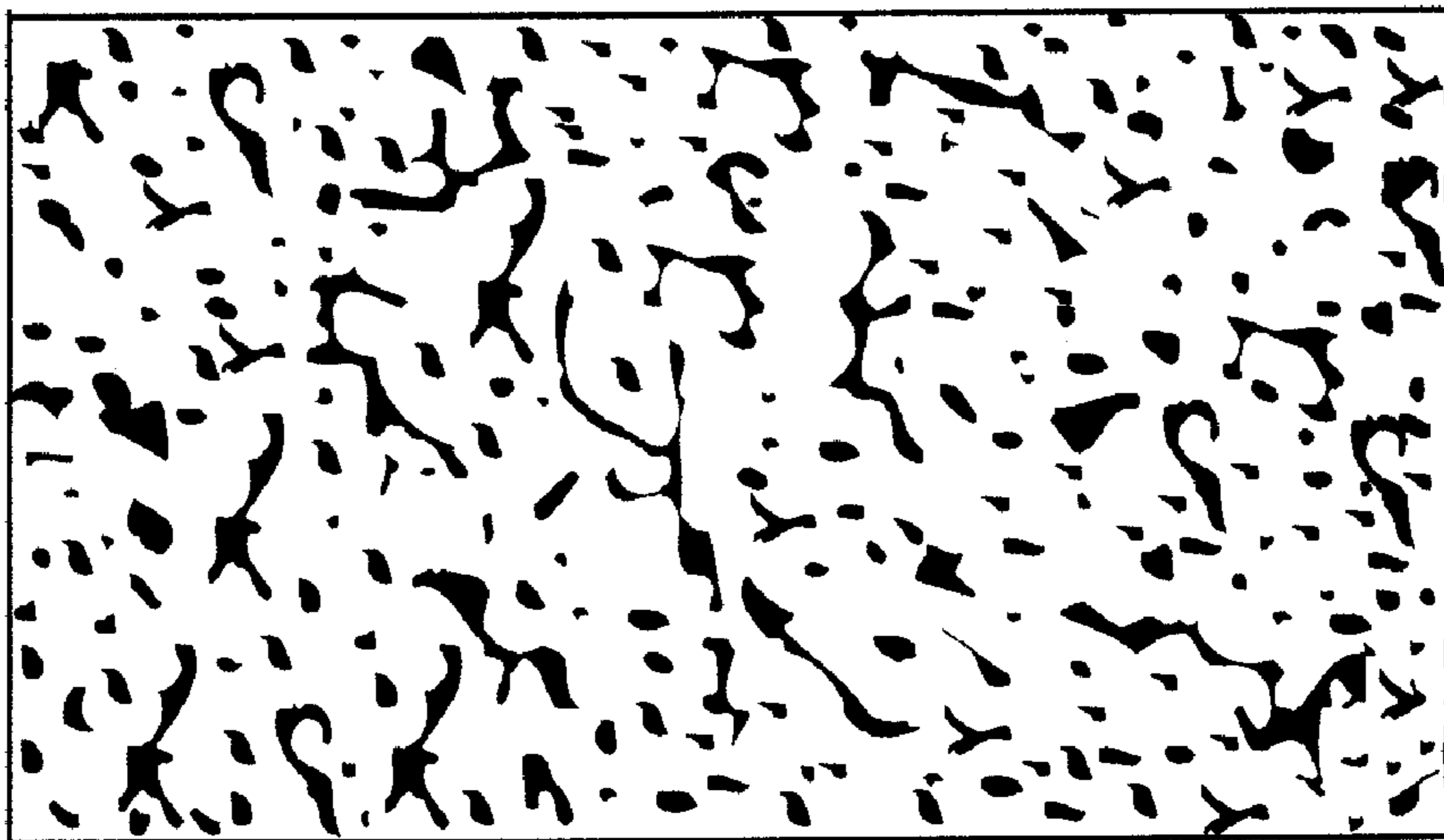


FIG. 12

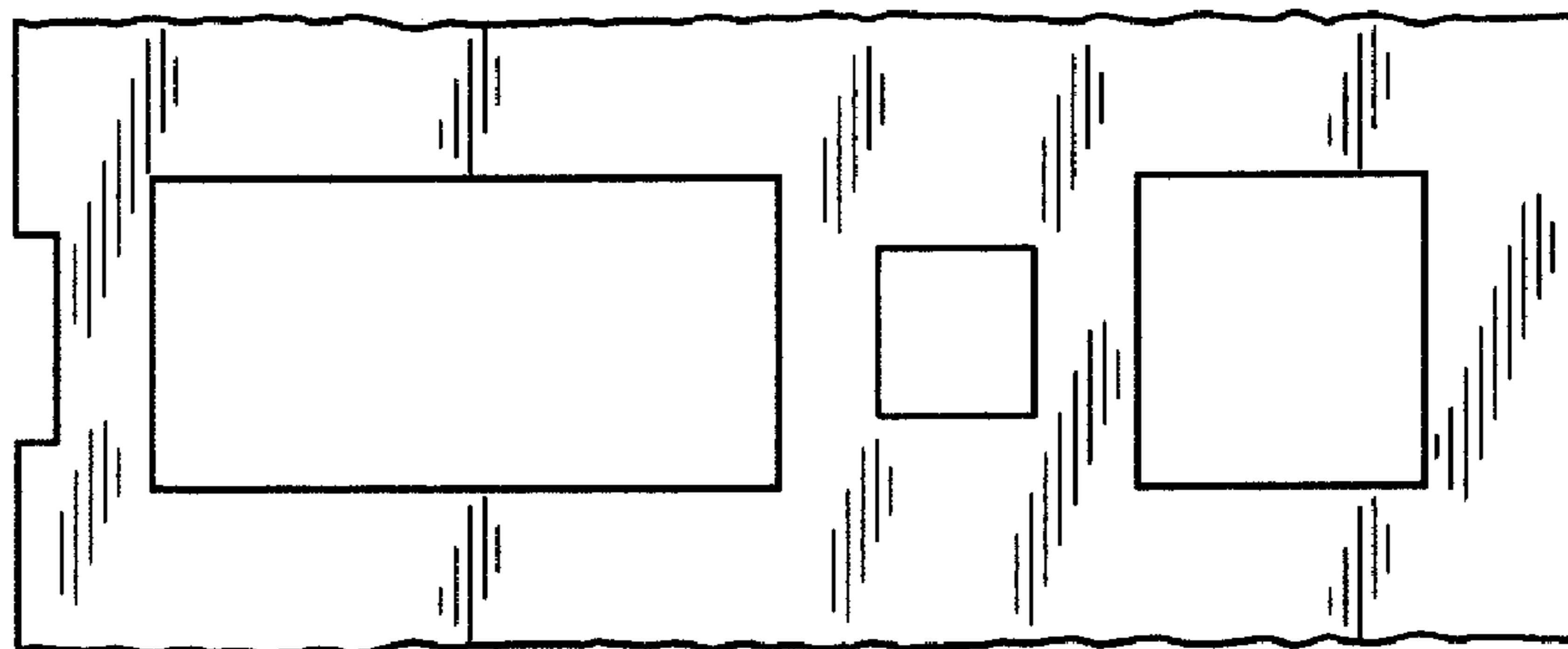


FIG. 13

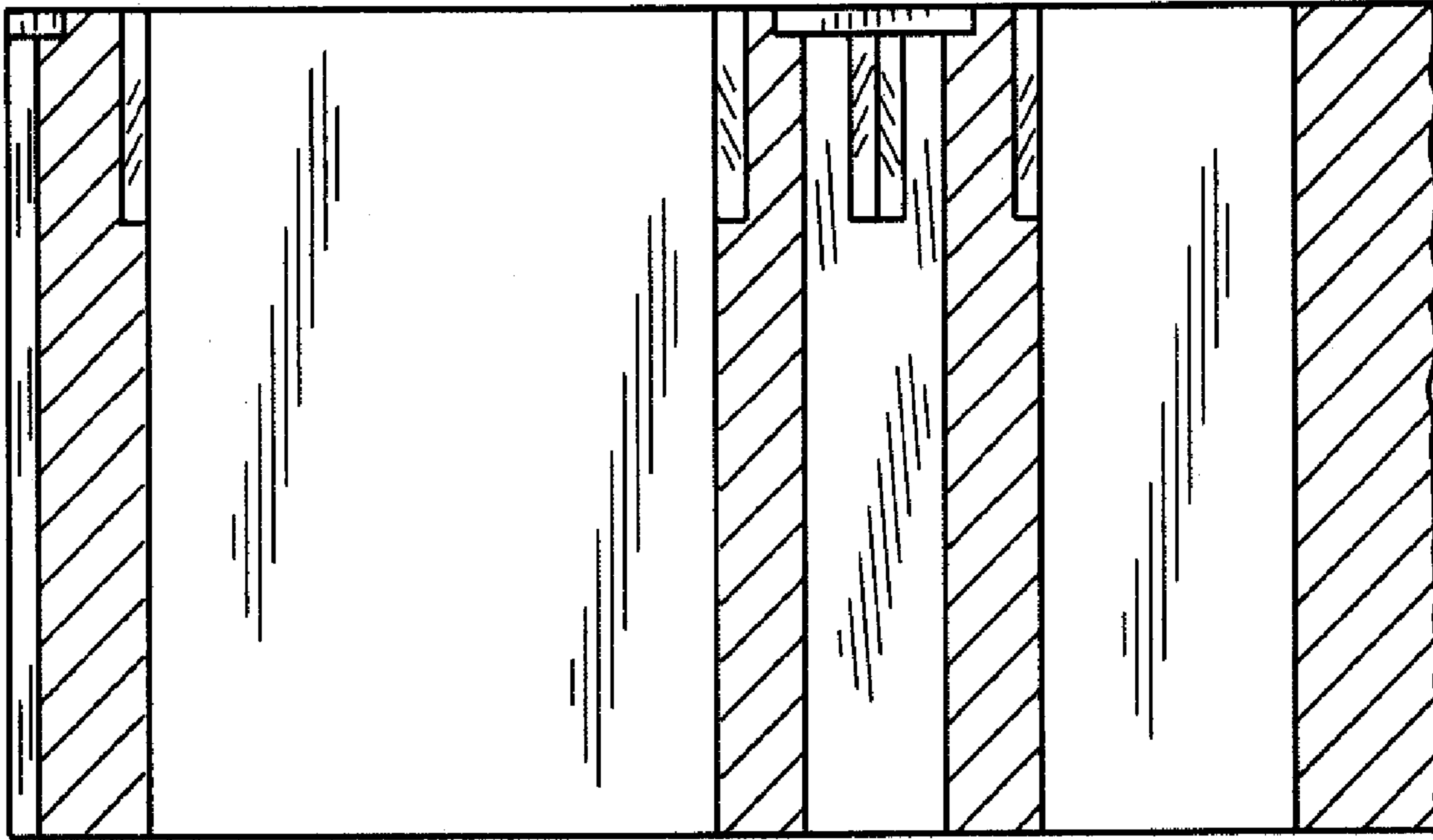


FIG. 14

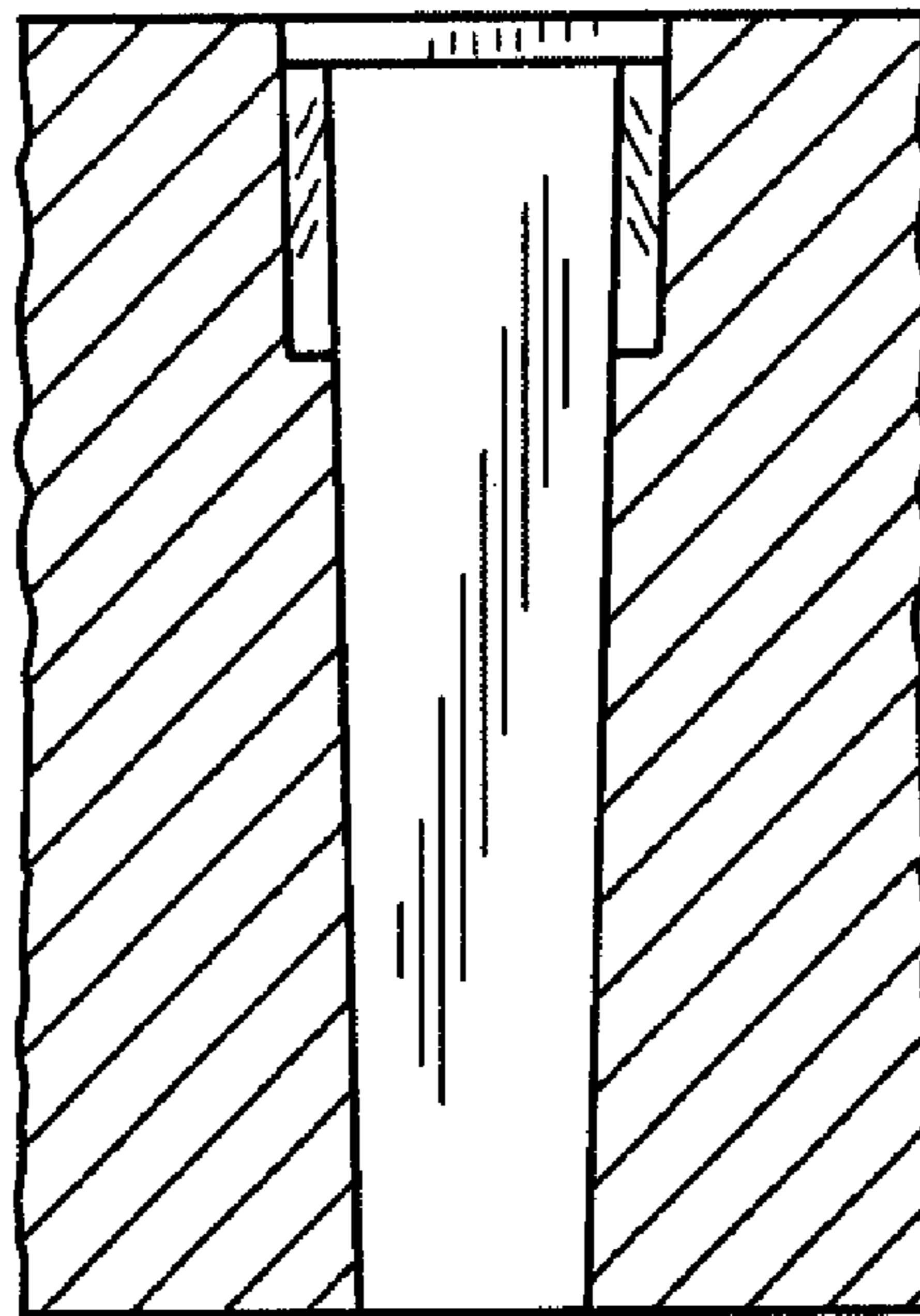


FIG. 15