

US00D608459S

(12) **United States Design Patent**  
**Wyse**

(10) **Patent No.:** **US D608,459 S**  
(45) **Date of Patent:** **\*\* \*Jan. 19, 2010**

(54) **STAGE DECK SECTION**

(76) **Inventor:** **Steven J. Wyse**, 82 Pin Oak, Archbold, OH (US) 43502

(\*\*) **Term:** **14 Years**

(21) **Appl. No.:** **29/319,510**

(22) **Filed:** **Jun. 10, 2008**

(51) **LOC (9) Cl.** ..... **25-02**

(52) **U.S. Cl.** ..... **D25/35; D25/62**

(58) **Field of Classification Search** ..... 52/7,  
52/183; 182/63.1, 112; 405/148, 196, 201;  
D25/62, 68, 35, 59

See application file for complete search history.

(56) **References Cited**

**U.S. PATENT DOCUMENTS**

- D240,126 S \* 6/1976 Mujadln ..... D25/35
- 4,759,162 A 7/1988 Wyse
- 6,082,051 A \* 7/2000 Burton et al. .... 52/7
- 6,195,943 B1 \* 3/2001 Woods et al. .... 52/7
- D464,144 S \* 10/2002 Peterson ..... D25/62

**OTHER PUBLICATIONS**

Website printout depicting prior art scaffolding (printed Feb. 28, 2008).

\* cited by examiner

*Primary Examiner*—Doris Clark

(74) *Attorney, Agent, or Firm*—Hovey Williams LLP

(57) **CLAIM**

The ornamental design for a stage deck section, as shown and described.

**DESCRIPTION**

FIG. 1 is a top perspective view of a stage deck section embodying my design and being depicted as part of an assembled stage for environmental purposes, with the other modular deck sections and elevating legs of the stage, as well as the top panel fasteners, the lock components for interlocking adjacent deck sections, the pin-receiving openings in the leg sockets, and the snap pin for securing the leg to the socket, being shown in broken lines for illustrative purposes only and forming no part of the claimed design;

FIG. 2 is a bottom perspective view of stage deck section depicted in FIG. 1, with the lock components and a number of the brace fasteners and holes being shown in broken lines for illustrative purposes only and forming no part of the claimed design;

FIG. 3 is a side elevation view of the stage deck section depicted in FIGS. 1 and 2;

FIG. 4 is a side elevation view of the stage deck section depicted in FIGS. 1–3, particularly illustrating one of the sides adjacent that depicted in FIG. 3;

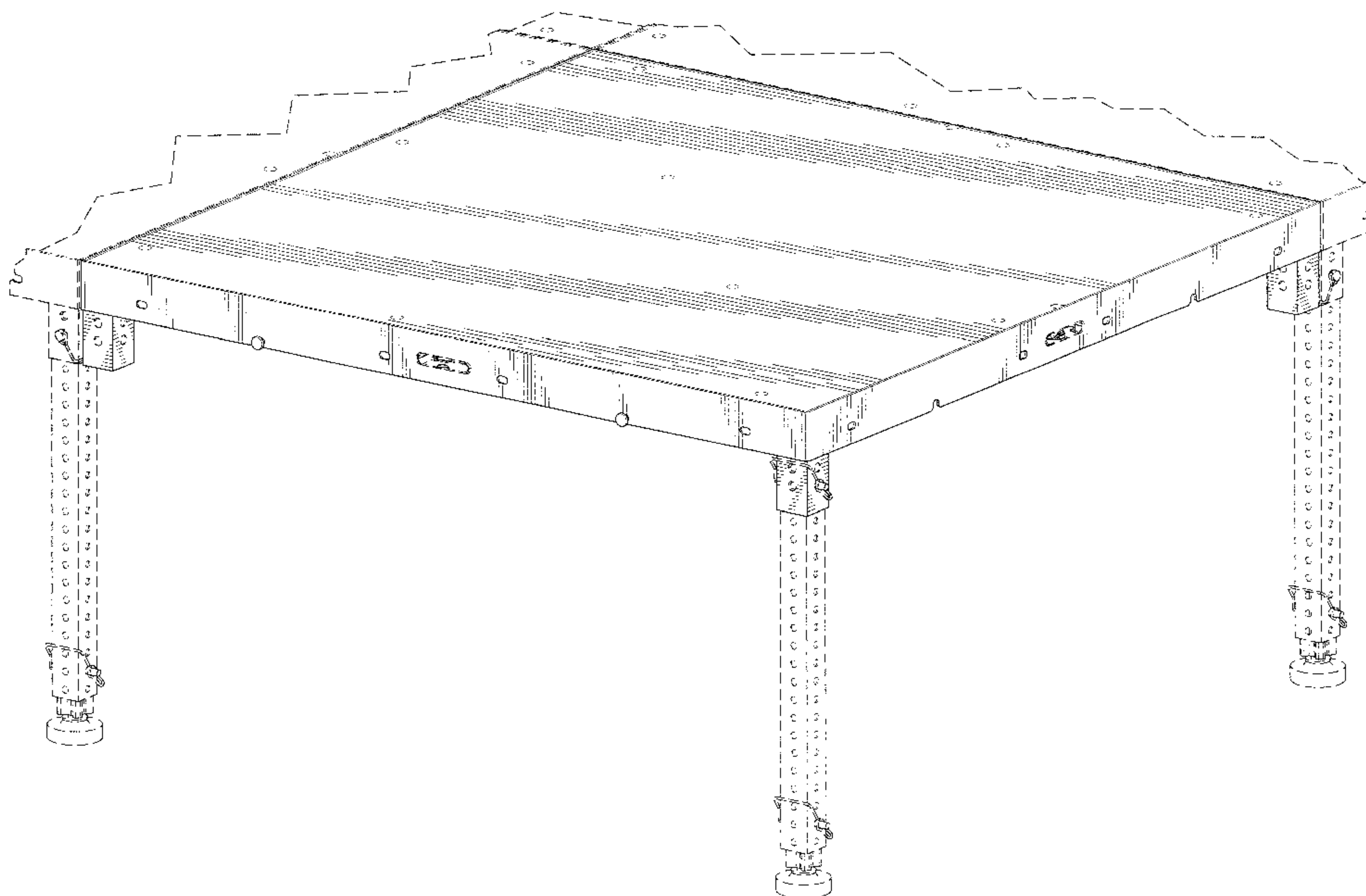
FIG. 5 is a side elevation view of the stage deck section opposite that depicted in FIG. 3;

FIG. 6 is a side elevation view of the stage deck section opposite that depicted in FIG. 4;

FIG. 7 is a top elevation view of the stage deck section depicted in FIGS. 1–6; and,

FIG. 8 is a bottom elevation view of the stage deck section depicted in FIGS. 1–7.

**1 Claim, 5 Drawing Sheets**



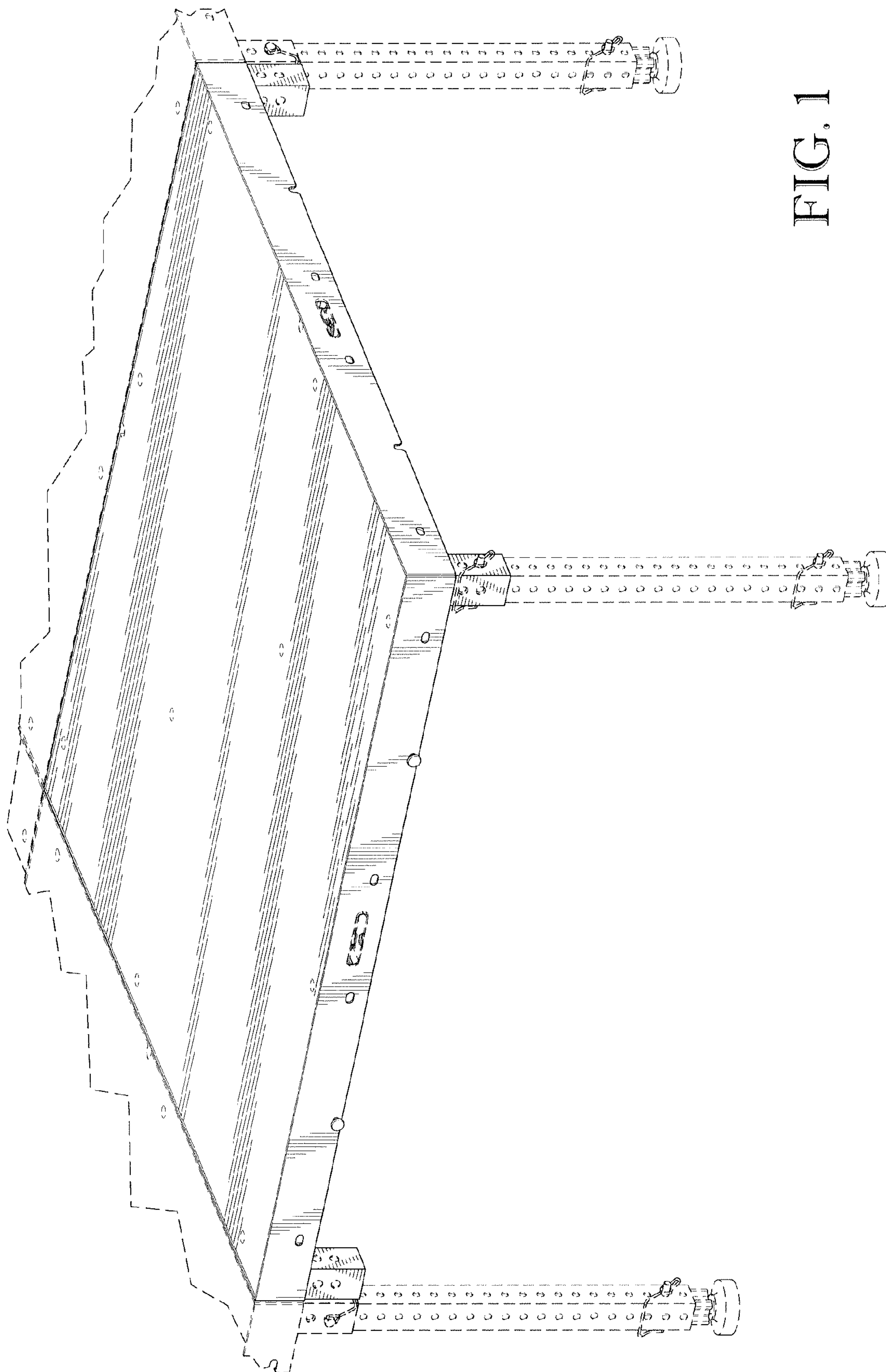


FIG. 1



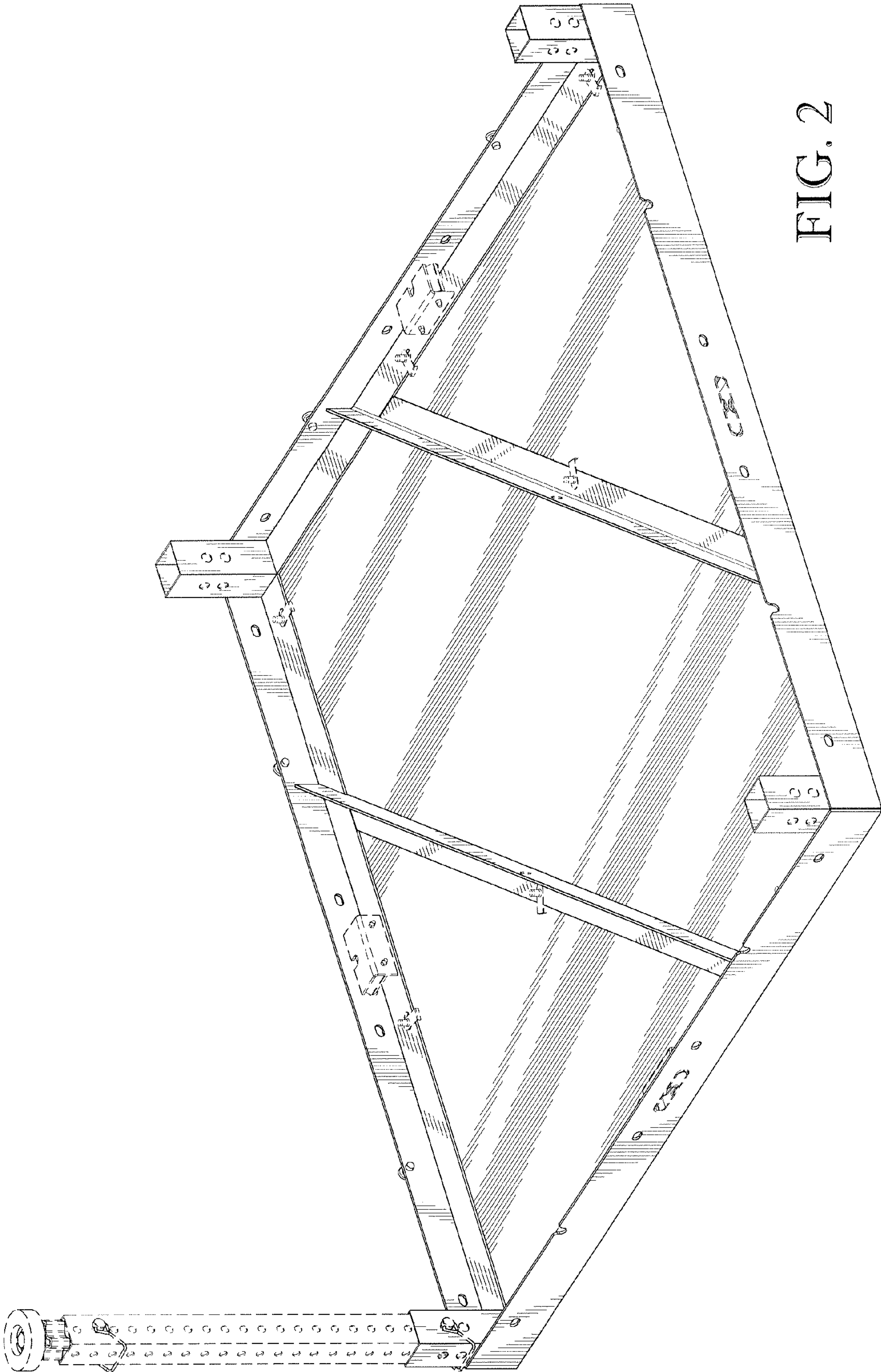


FIG. 2

FIG. 3

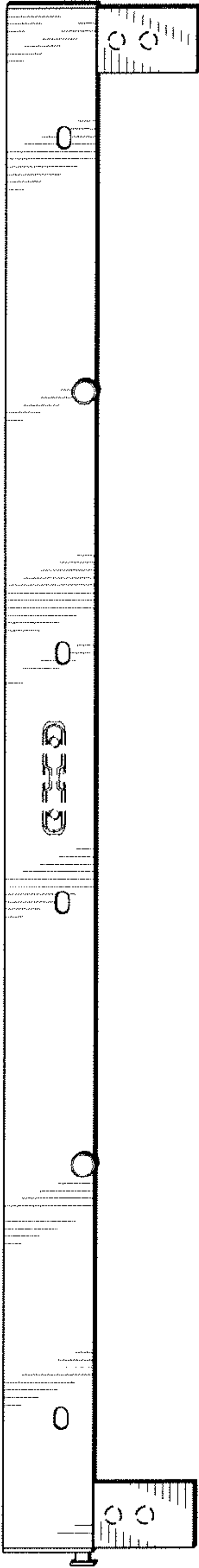


FIG. 4

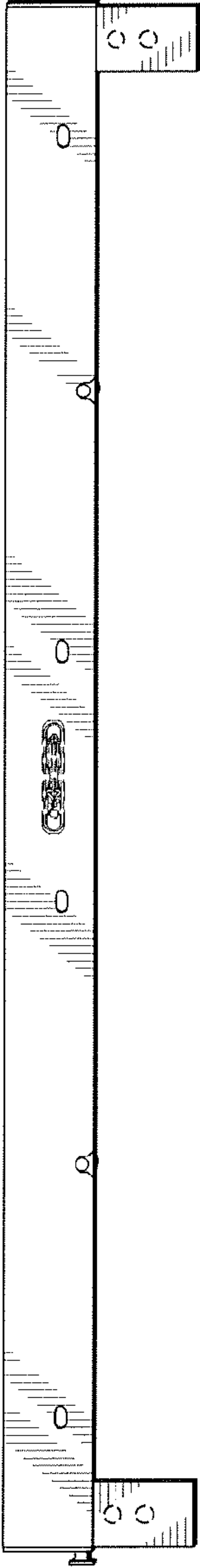


FIG. 5

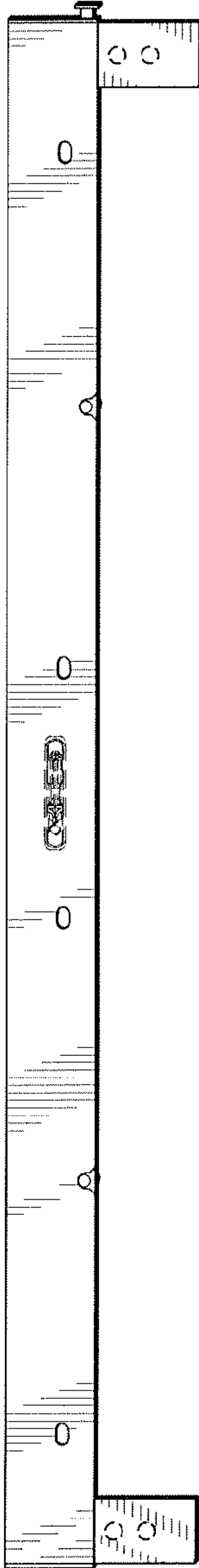
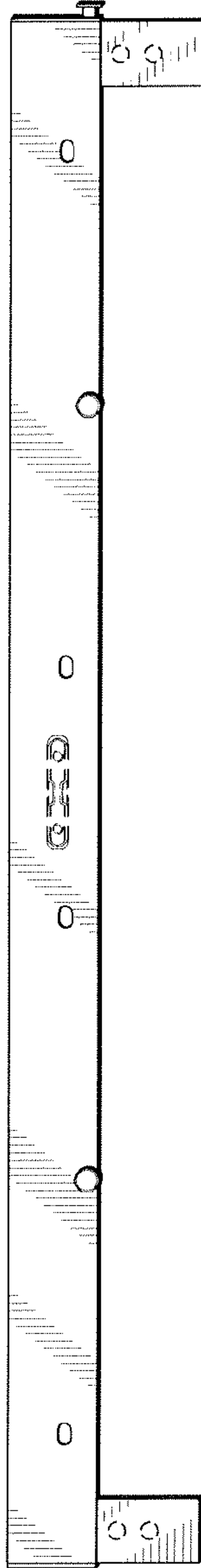


FIG. 6



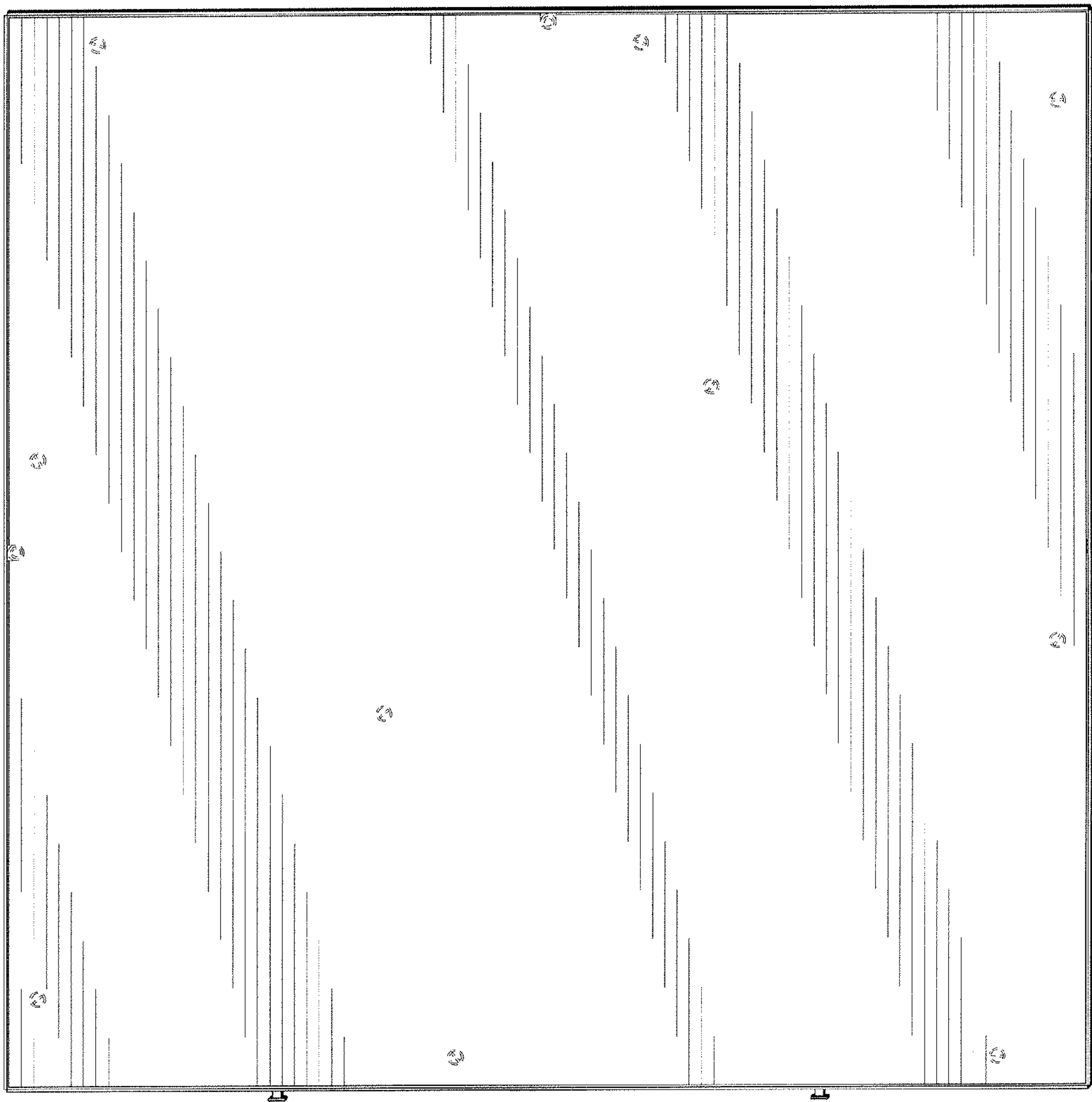


FIG. 7

FIG. 8

