



US00D608457S

(12) **United States Design Patent**
Griffiths

(10) **Patent No.:** **US D608,457 S**
(45) **Date of Patent:** **** Jan. 19, 2010**

(54) **SLIDE CARRIER**

(75) Inventor: **Paul Scott Griffiths**, Herts (GB)

(73) Assignee: **FFEI Ltd**, Herts (GB)

(**) Term: **14 Years**

(21) Appl. No.: **29/333,951**

(22) Filed: **Mar. 18, 2009**

(30) **Foreign Application Priority Data**

Sep. 26, 2008 (EM) 001009955-0001

(51) **LOC (9) Cl.** **24-02**

(52) **U.S. Cl.** **D24/227**

(58) **Field of Classification Search** D24/216,
D24/224-229, 231-232; D10/81, 103; D16/130-131;
422/55-57, 99, 104; 359/391, 393, 385
See application file for complete search history.

(56) **References Cited**

U.S. PATENT DOCUMENTS

D262,057 S *	11/1981	Parker	D24/225
D290,042 S *	5/1987	Ford	D24/226
D331,807 S *	12/1992	Sodergren	D10/81
D420,746 S *	2/2000	Cardy	D24/225
D423,678 S *	4/2000	Fisch	D24/225
D431,300 S *	9/2000	Fisch	D24/225
D431,301 S *	9/2000	Fisch	D24/225
D456,082 S *	4/2002	Bouse et al.	D24/225
6,372,514 B1 *	4/2002	Lee	422/57
D461,561 S *	8/2002	Pham	D24/225
D461,906 S *	8/2002	Pham	D24/225
D467,348 S *	12/2002	McMichael et al.	D24/229
D468,022 S *	12/2002	Henderson et al.	D24/216

D470,597 S *	2/2003	Peterson et al.	D24/229
D472,644 S *	4/2003	Dawson et al.	D24/232
D495,805 S *	9/2004	Lea et al.	D24/216
D500,142 S *	12/2004	Crisanti et al.	D24/216
D501,678 S *	2/2005	Oberhardt	D24/225
D512,512 S *	12/2005	Bell et al.	D24/225
D528,215 S *	9/2006	Malmsater	D24/232
D530,826 S *	10/2006	Rich et al.	D24/225
D531,321 S *	10/2006	Godfrey et al.	D24/225
D540,953 S *	4/2007	Ramel et al.	D24/224
D548,357 S *	8/2007	Barbera-Guillem	D24/216
7,294,502 B2 *	11/2007	Eckermann et al.	422/56
D559,995 S *	1/2008	Handique et al.	D24/232
D566,850 S *	4/2008	Vermeiden	D24/225
D569,990 S *	5/2008	Fisch	D24/225

* cited by examiner

Primary Examiner—T. Chase Nelson

Assistant Examiner—Mark Cavanna

(74) *Attorney, Agent, or Firm*—Kenyon & Kenyon LLP

(57) **CLAIM**

The ornamental design for a slide carrier, as shown and described.

DESCRIPTION

FIG. 1 is a perspective view of a slide carrier;

FIG. 2 is a top view thereof;

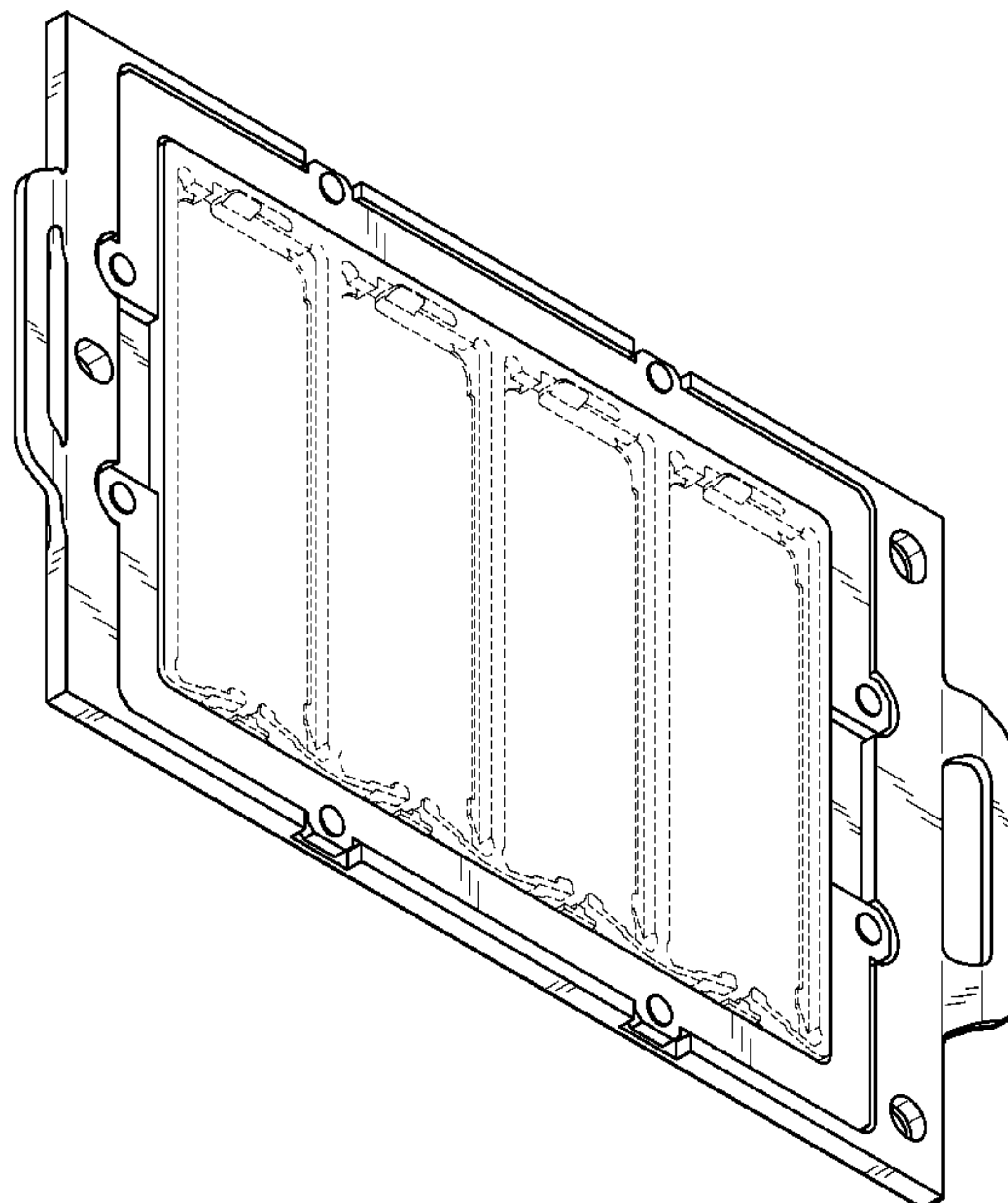
FIG. 3 is a bottom view thereof;

FIG. 4 is a side view thereof; and,

FIG. 5 is a front view thereof.

The broken lines shown are included for the purpose of illustrating portions of the slide carrier that form no part of the claimed design.

1 Claim, 4 Drawing Sheets



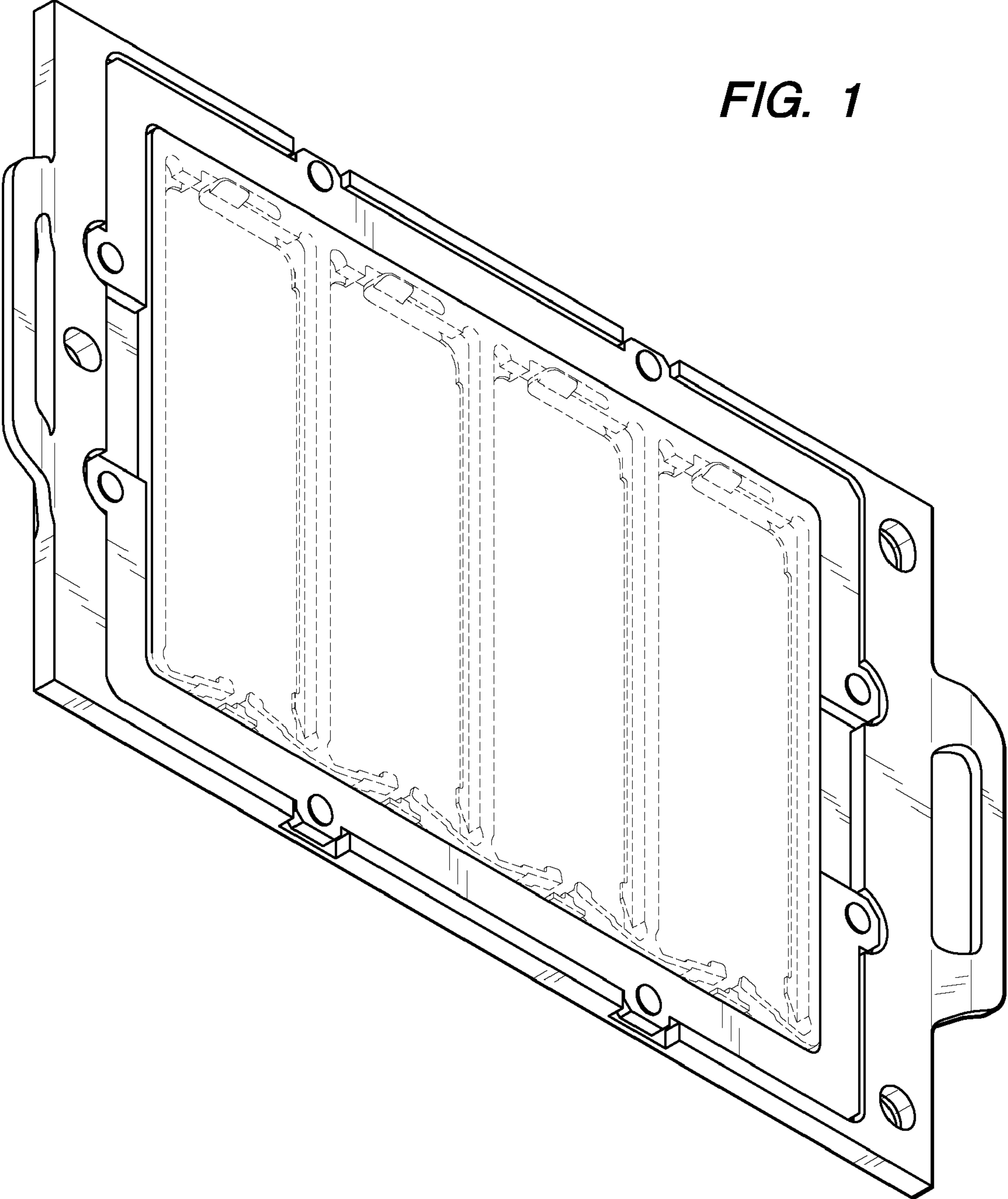


FIG. 1

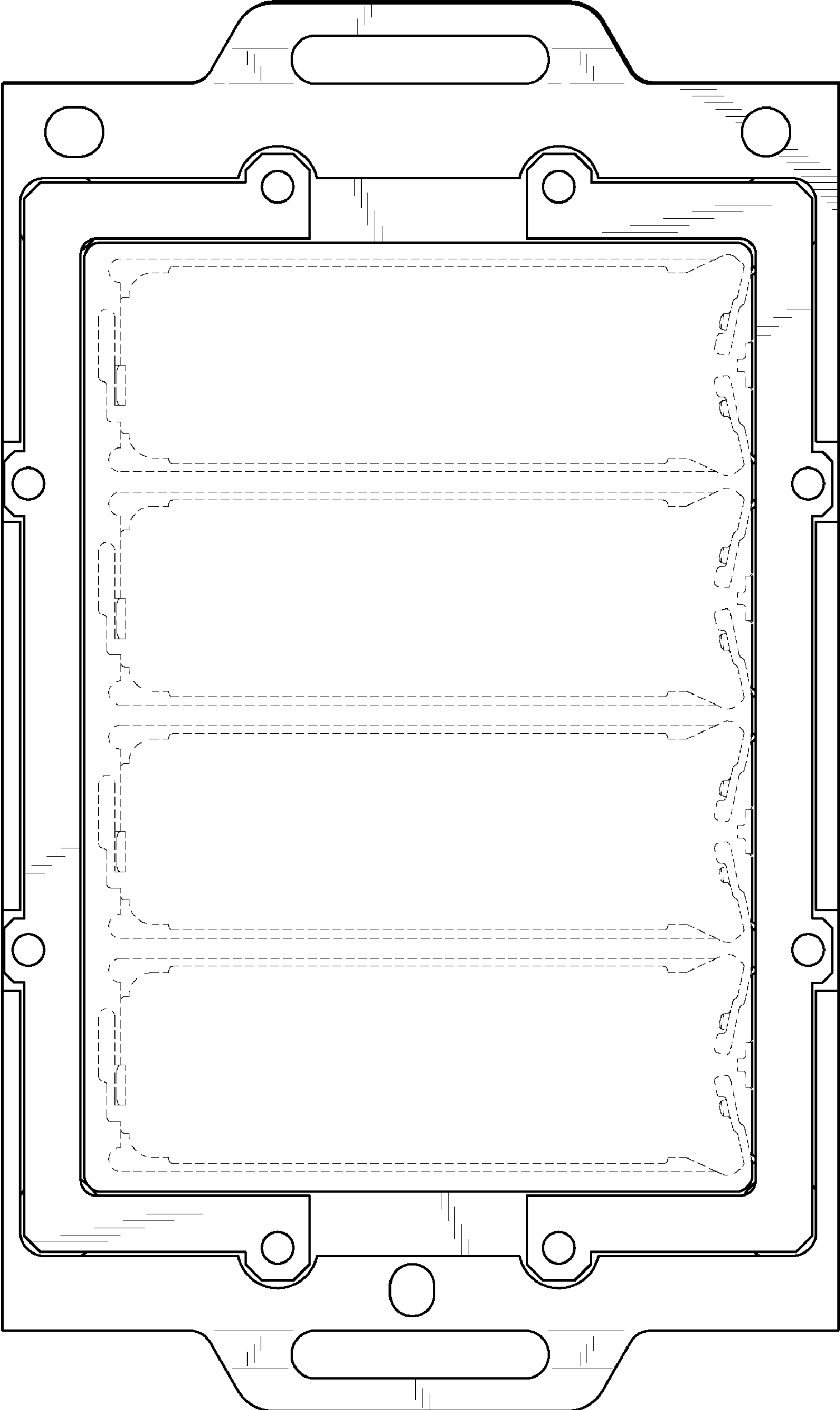


FIG. 2

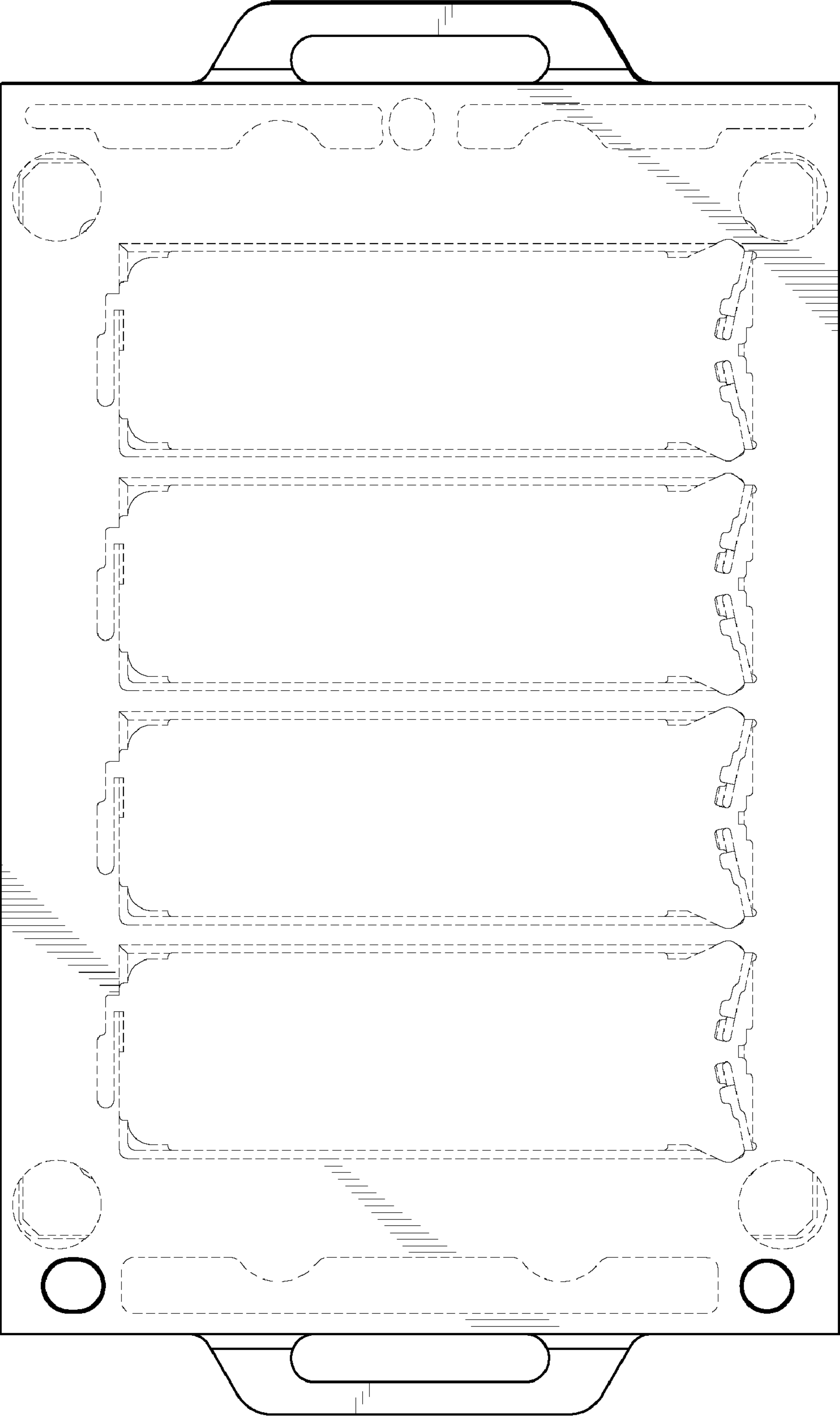


FIG. 3

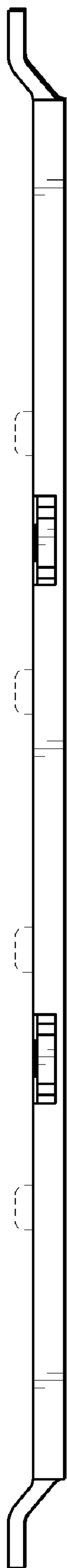


FIG. 4

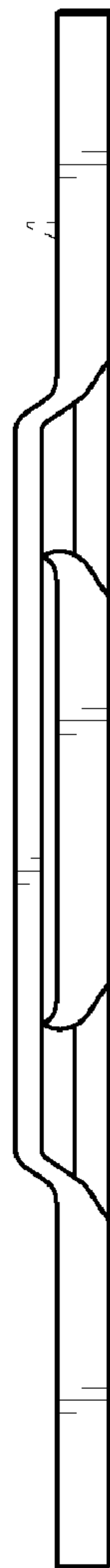


FIG. 5