



US00D608447S

(12) **United States Design Patent**
Meyer et al.

(10) **Patent No.:** **US D608,447 S**
(45) **Date of Patent:** **** Jan. 19, 2010**

(54) **SENSOR CASE**

(75) Inventors: **Doug Meyer**, Tustin, CA (US); **Luchy Roteliuk**, Lake Forest, CA (US)

(73) Assignee: **Edwards Lifesciences Corporation**, Irvine, CA (US)

(**) Term: **14 Years**

(21) Appl. No.: **29/324,741**

(22) Filed: **Sep. 19, 2008**

Related U.S. Application Data

(63) Continuation of application No. 29/221,423, filed on Jan. 14, 2005, now Pat. No. Des. 587,374.

(51) **LOC (9) Cl.** **24-01**

(52) **U.S. Cl.** **D24/167**

(58) **Field of Classification Search** D24/167, D24/168, 186, 231, 128, 187; 600/481-483, 600/485, 502-504, 509, 526-528; 128/DIG. 26; D10/46, 103

See application file for complete search history.

(56) **References Cited**

U.S. PATENT DOCUMENTS

- D220,854 S * 6/1971 Lambo D24/129
- D255,938 S 7/1980 Hawke et al.
- 4,640,820 A 2/1987 Cooper
- D326,718 S 6/1992 Maxwell et al.
- D330,419 S 10/1992 Sifers et al.
- D347,060 S 5/1994 Bierman

- D353,198 S 12/1994 Blasdell et al.
- D367,529 S 2/1996 Price et al.
- D408,535 S 4/1999 Hacker
- D409,750 S 5/1999 Hacker
- 6,101,406 A * 8/2000 Hacker et al. 600/322
- 6,132,383 A 10/2000 Chesney et al.

* cited by examiner

Primary Examiner—T. Chase Nelson

Assistant Examiner—Anhdao Doan

(74) *Attorney, Agent, or Firm*—Gregory J. Carlin

(57) **CLAIM**

The ornamental design for a sensor case, as shown and described.

DESCRIPTION

FIG. 1 is a perspective view of an embodiment of a sensor case according to our new design;

FIG. 2 is another perspective view thereof;

FIG. 3 is a top plan view thereof;

FIG. 4 is a right side elevation view thereof;

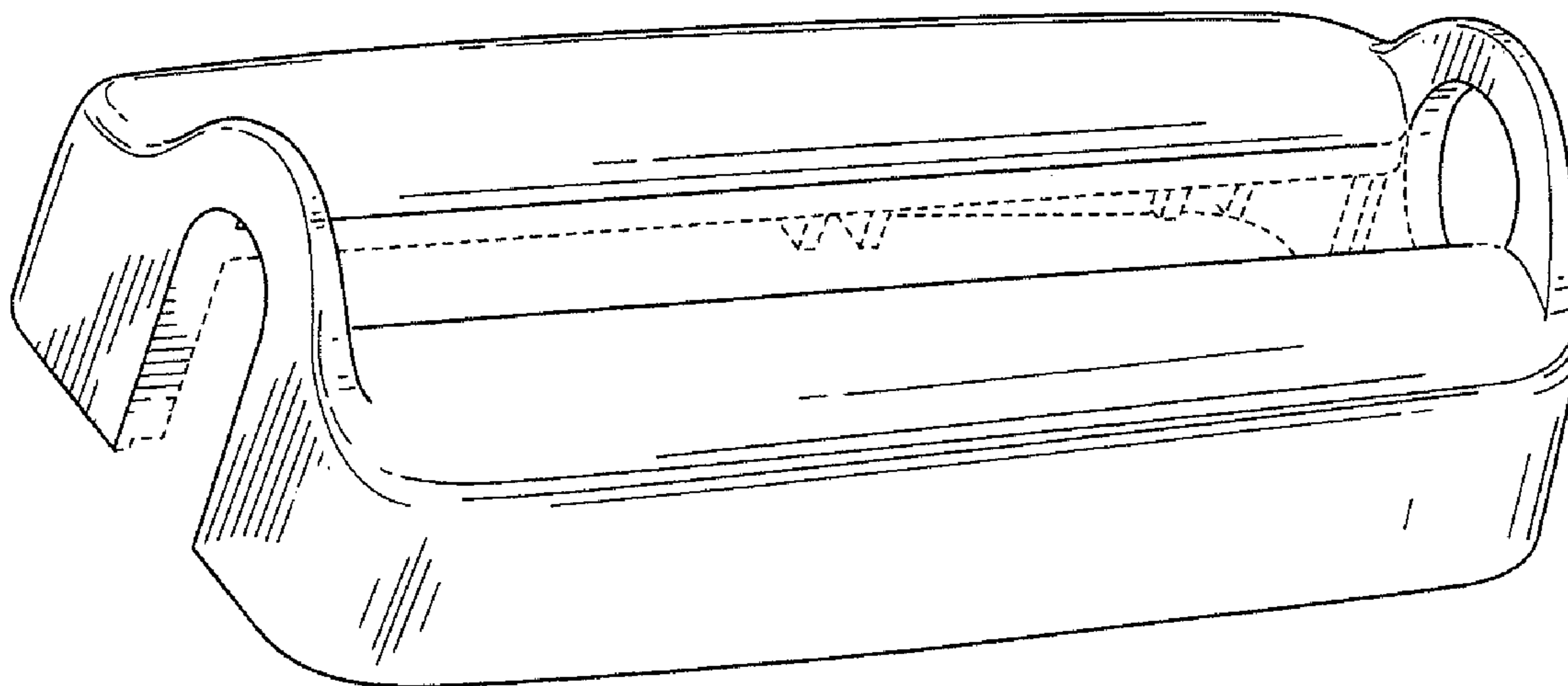
FIG. 5 is a bottom plan view thereof;

FIG. 6 is a front elevation view thereof; and,

FIG. 7 is a rear elevation view thereof.

The broken lines immediately adjacent the shaded areas represent bounds of the claimed design and environment while all other broken lines represent unclaimed environmental portions and are for illustrative purposes only. The broken lines form no part of the claimed design.

1 Claim, 6 Drawing Sheets



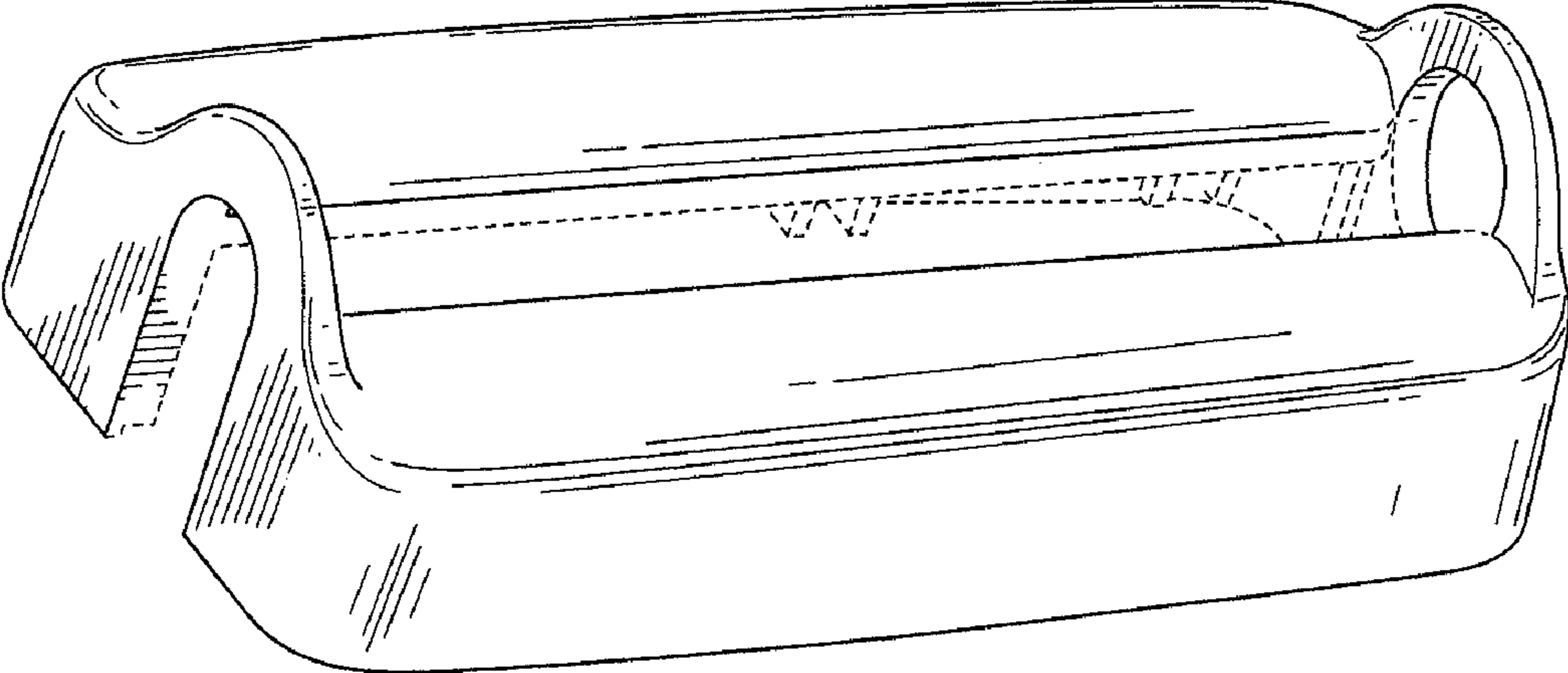


FIG. 1

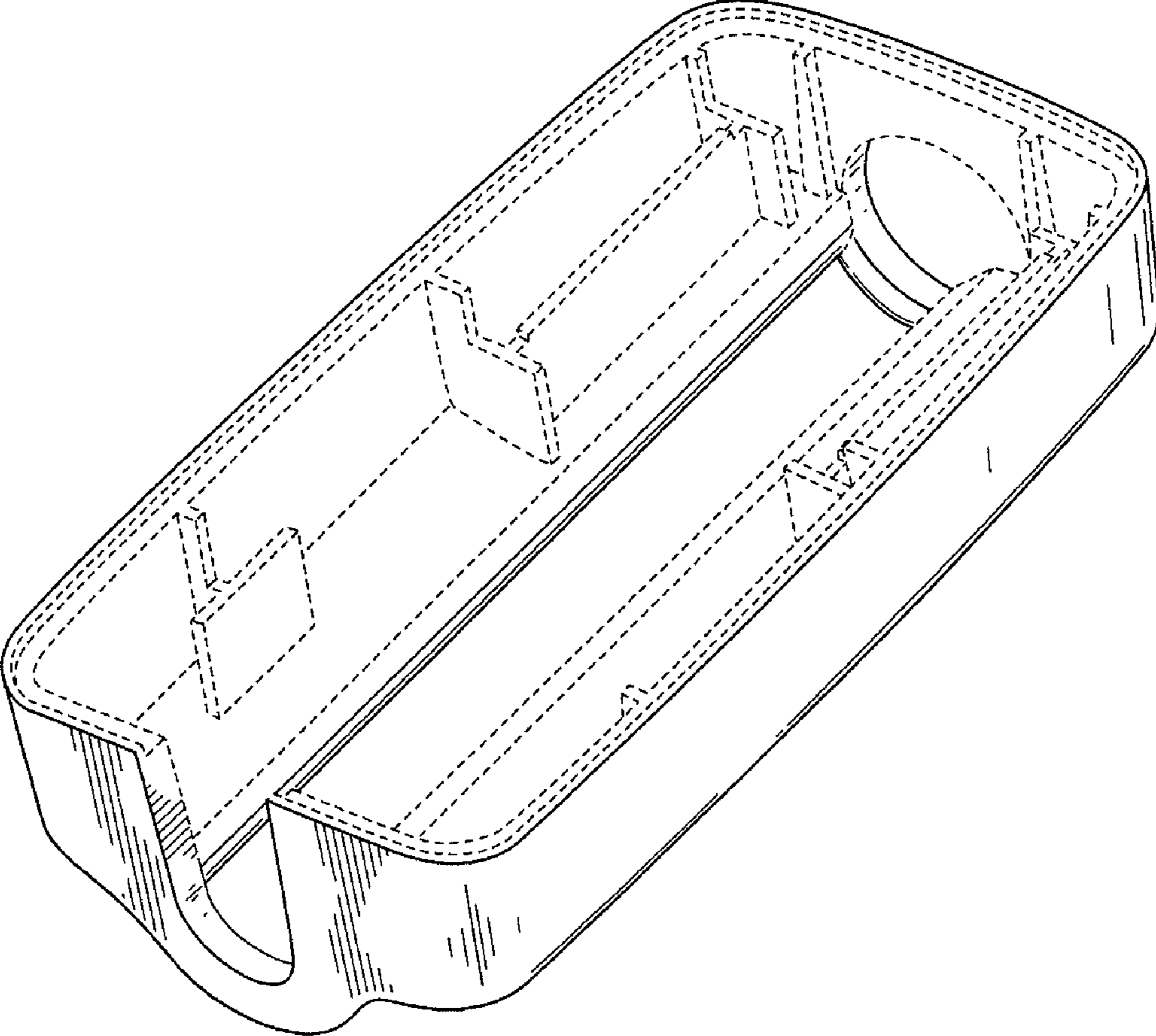


FIG. 2

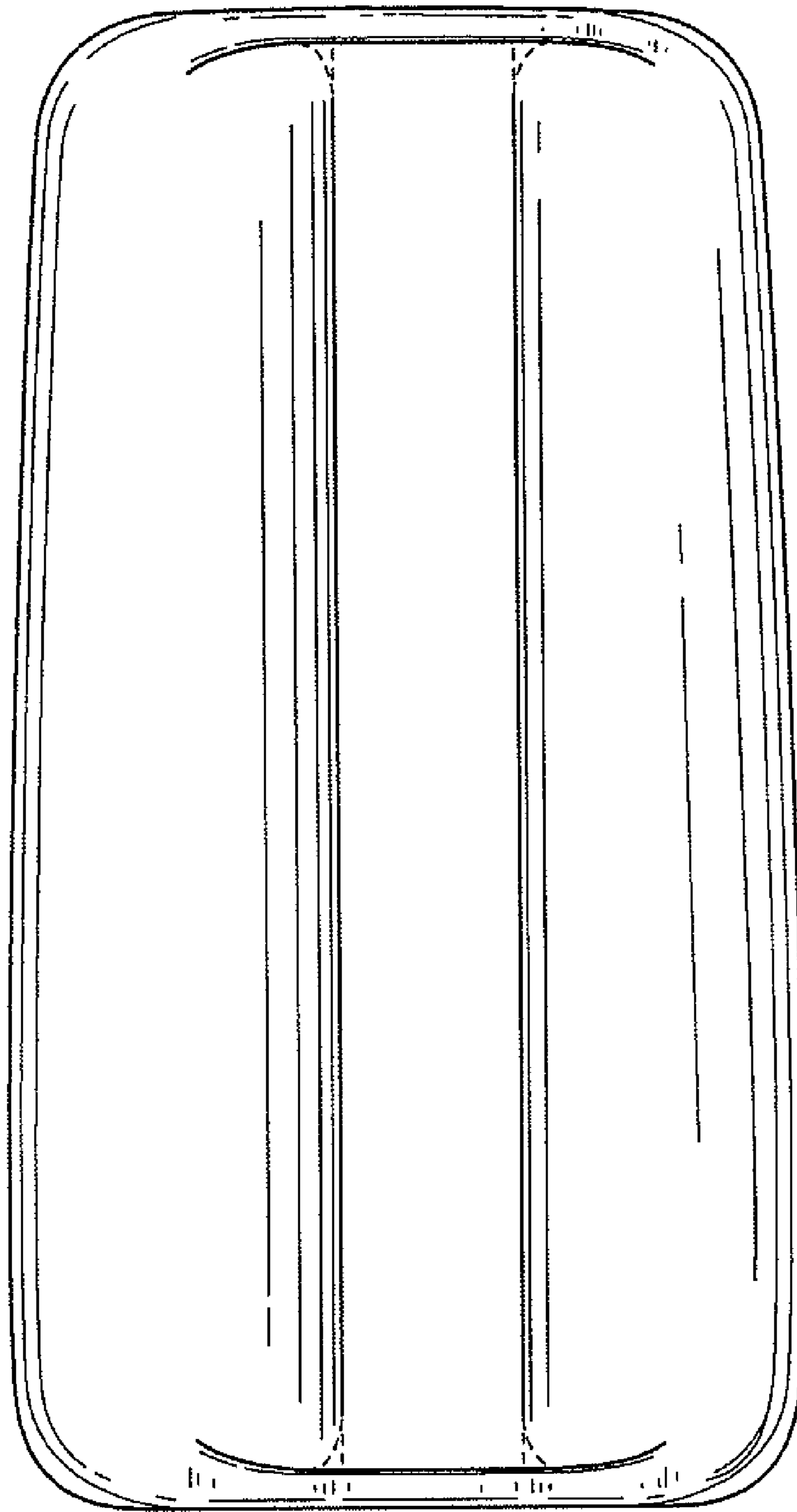


FIG. 3

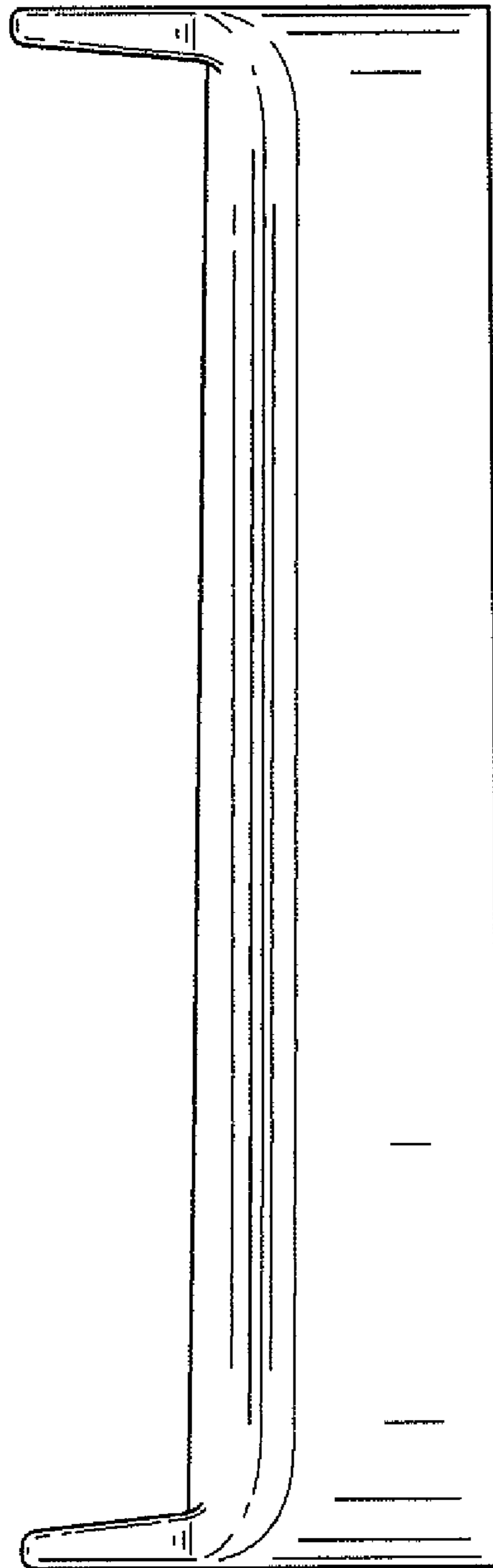


FIG. 4

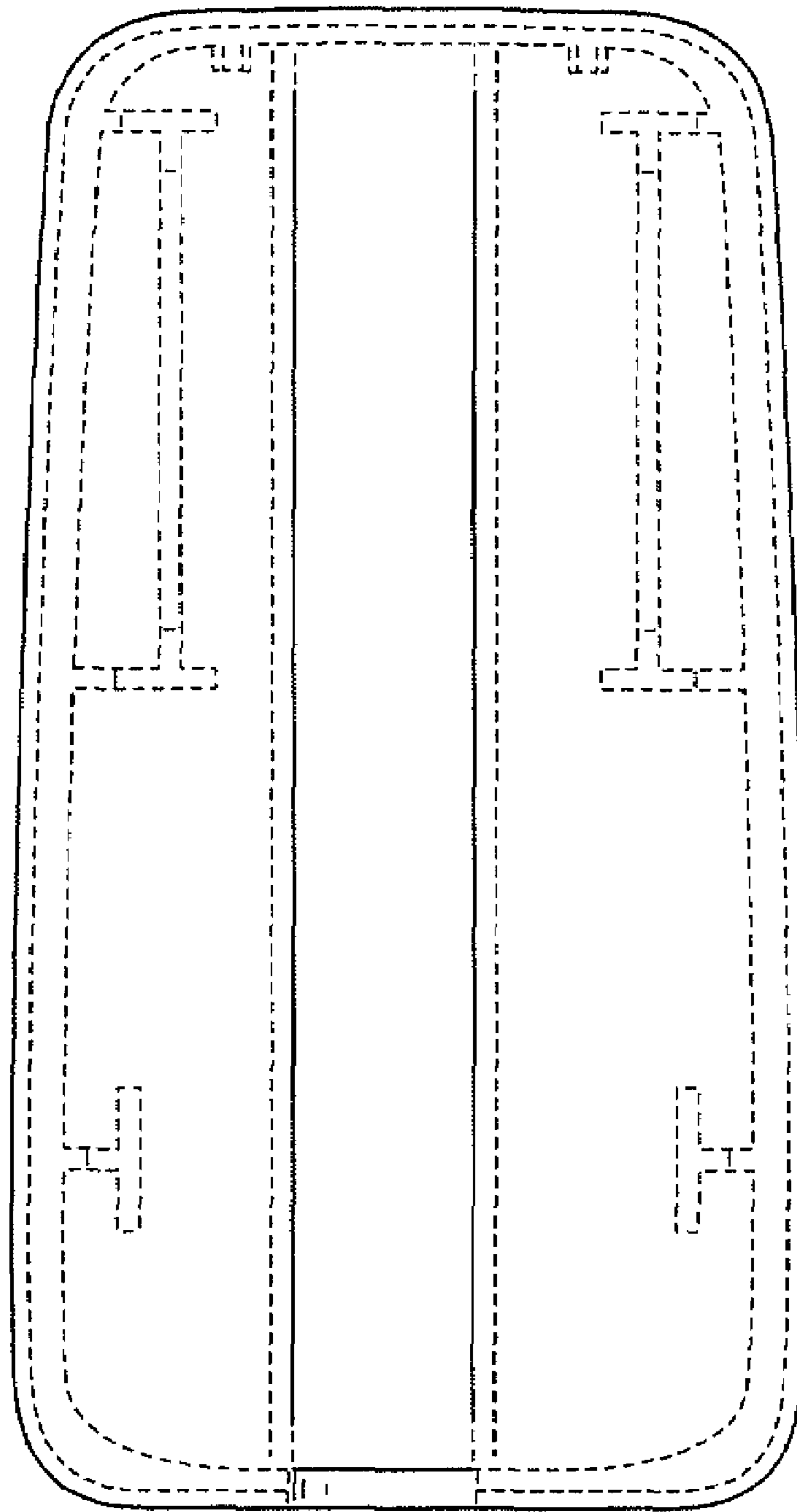


FIG. 5

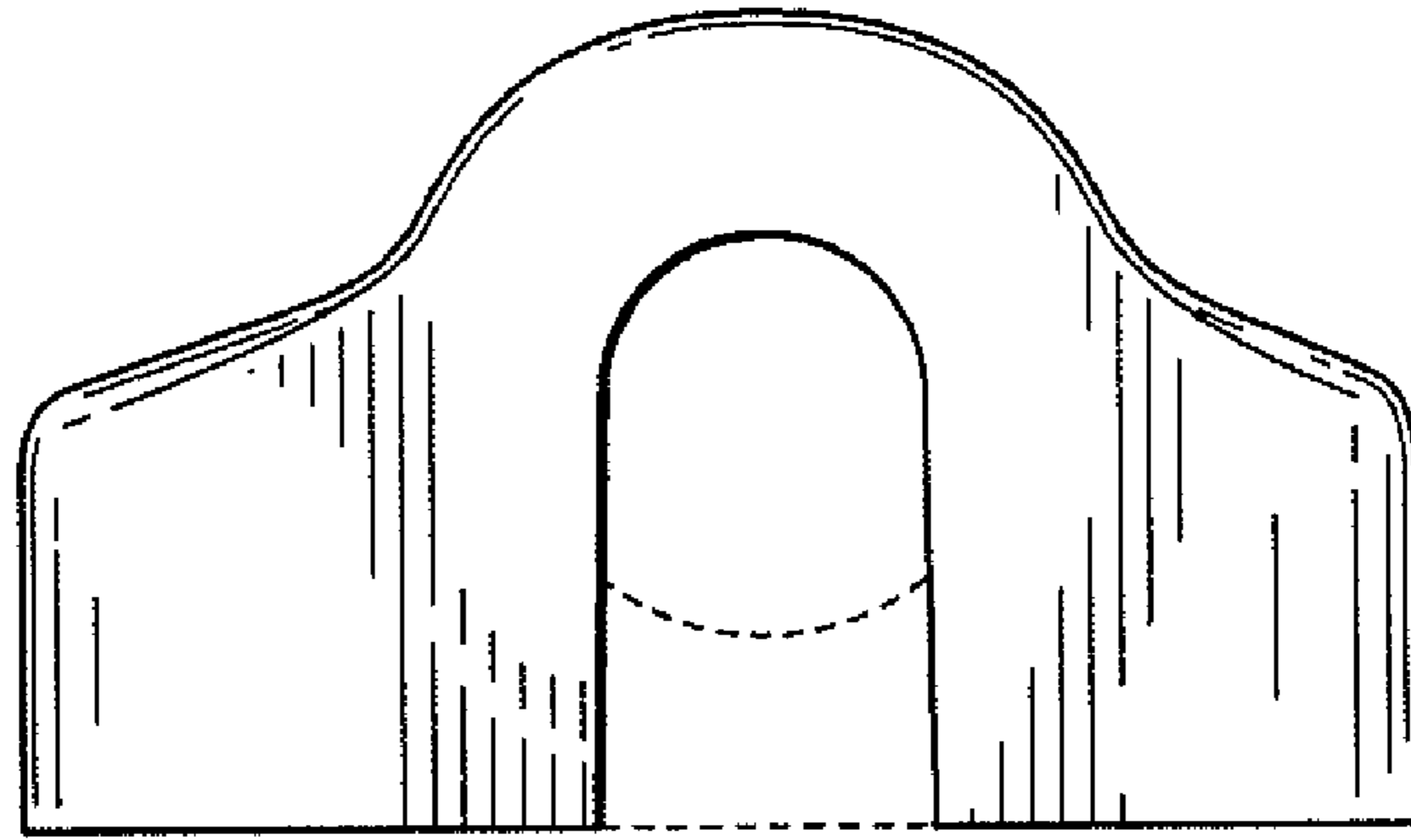


FIG. 6

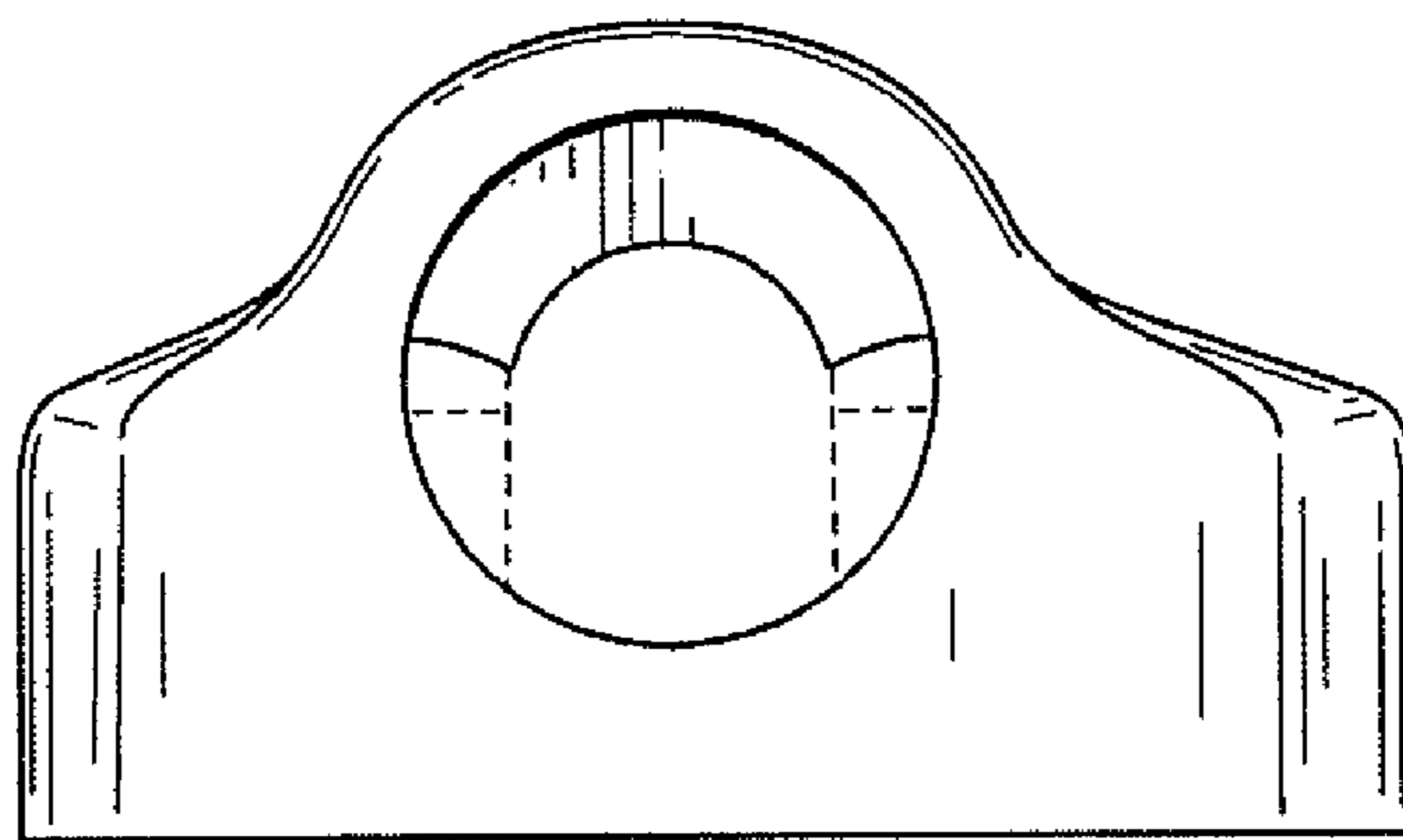


FIG. 7