

US00D608445S

(12) **United States Design Patent**  
**Bullemer et al.**

(10) **Patent No.:** **US D608,445 S**  
(45) **Date of Patent:** **\*\* Jan. 19, 2010**

(54) **MEDICAL DEVICE SLITTER**

(75) Inventors: **Beth C. Bullemer**, Maple Plain, MN (US); **Ron A. Drake**, St. Louis Park, MN (US); **Stanten C. Spear**, Arden Hills, MN (US); **William K. Wenger**, Saint Paul, MN (US)

(73) Assignee: **Medtronic, Inc.**, Minneapolis, MN (US)

(\*\*) Term: **14 Years**

(21) Appl. No.: **29/323,518**

(22) Filed: **Aug. 27, 2008**

**Related U.S. Application Data**

(62) Division of application No. 29/283,867, filed on Aug. 24, 2007, now Pat. No. Des. 576,280.

(51) **LOC (9) Cl.** ..... **24-02**

(52) **U.S. Cl.** ..... **D24/147**

(58) **Field of Classification Search** ..... D24/133,  
D24/144, 146, 147; 606/167, 172; 604/160,  
604/164.05, 161; 30/282, 90.1  
See application file for complete search history.

(56) **References Cited**

**U.S. PATENT DOCUMENTS**

3,793,682	A	2/1974	Nelson	
D238,247	S *	12/1975	Thomas, III	D8/99
4,997,424	A	3/1991	Little	
D337,931	S *	8/1993	Dann	D8/98
5,330,460	A	7/1994	Moss	
D433,929	S	11/2000	Petzel	
6,159,198	A	12/2000	Gardeski et al.	
6,497,681	B1	12/2002	Brenner	
D470,030	S *	2/2003	Swier	D8/98
D498,404	S *	11/2004	Schmidt	D8/98
D539,318	S	3/2007	Oas	
D556,005	S	11/2007	Huang	
D574,210	S *	8/2008	Packard et al.	D8/98
D576,279	S *	9/2008	Bullemer et al.	D24/147

D576,280	S *	9/2008	Bullemer et al.	D24/147
D588,269	S *	3/2009	Wall	D24/146
2003/0181935	A1	9/2003	Gardeski	
2005/0182435	A1	8/2005	Andrews	
2006/0167417	A1	7/2006	Kratz	
2007/0079511	A1	4/2007	Osypka	
2009/0054840	A1 *	2/2009	Drake et al.	604/161
2009/0198263	A1 *	8/2009	LaFauci et al.	606/167

**FOREIGN PATENT DOCUMENTS**

WO 2006085119 A1 8/2006

\* cited by examiner

*Primary Examiner*—Ian Simmons  
*Assistant Examiner*—Carissa C Fitts  
(74) *Attorney, Agent, or Firm*—Carol P. Barry

(57) **CLAIM**

The ornamental design for a medical device slitter, as shown and described.

**DESCRIPTION**

Reference is made to the following commonly-assigned applications: application Ser. No. 29/283,864 filed on even date herewith by Bullemer et al.; application Ser. No. 11/844,912 filed on even date herewith by Drake et al.; and application Ser. No. 11/844,932 filed on even date herewith by Drake et al., the entire contents of each disclosure are incorporated herein by reference.

FIG. 1 is a perspective view as seen from the rear, side and bottom,

FIG. 2 is a side view thereof;

FIG. 3 is a side view, opposite of FIG. 2 thereof;

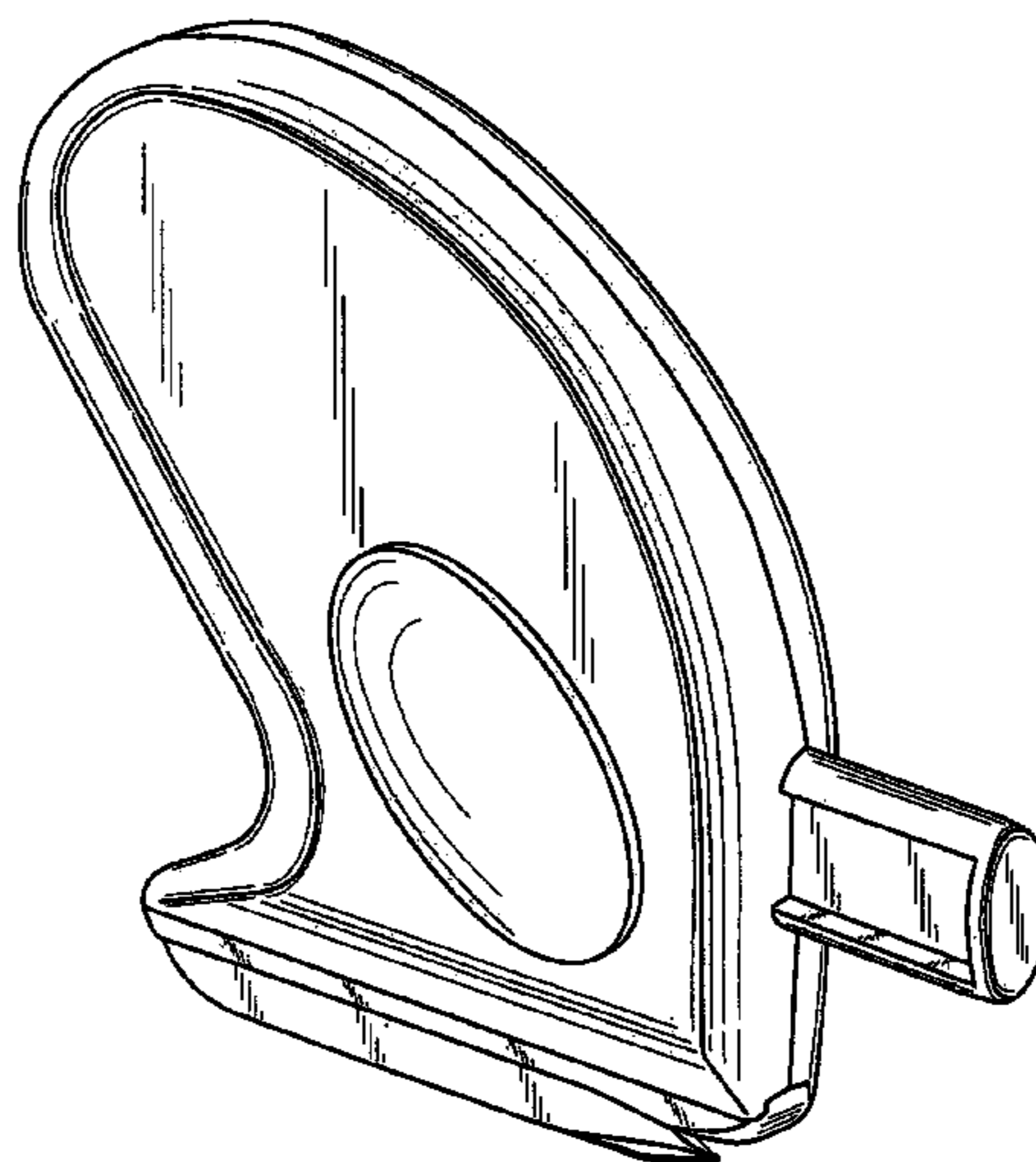
FIG. 4 is a front view thereof;

FIG. 5 is a rear view thereof;

FIG. 6 is a top view thereof; and,

FIG. 7 is a bottom view thereof.

**1 Claim, 4 Drawing Sheets**



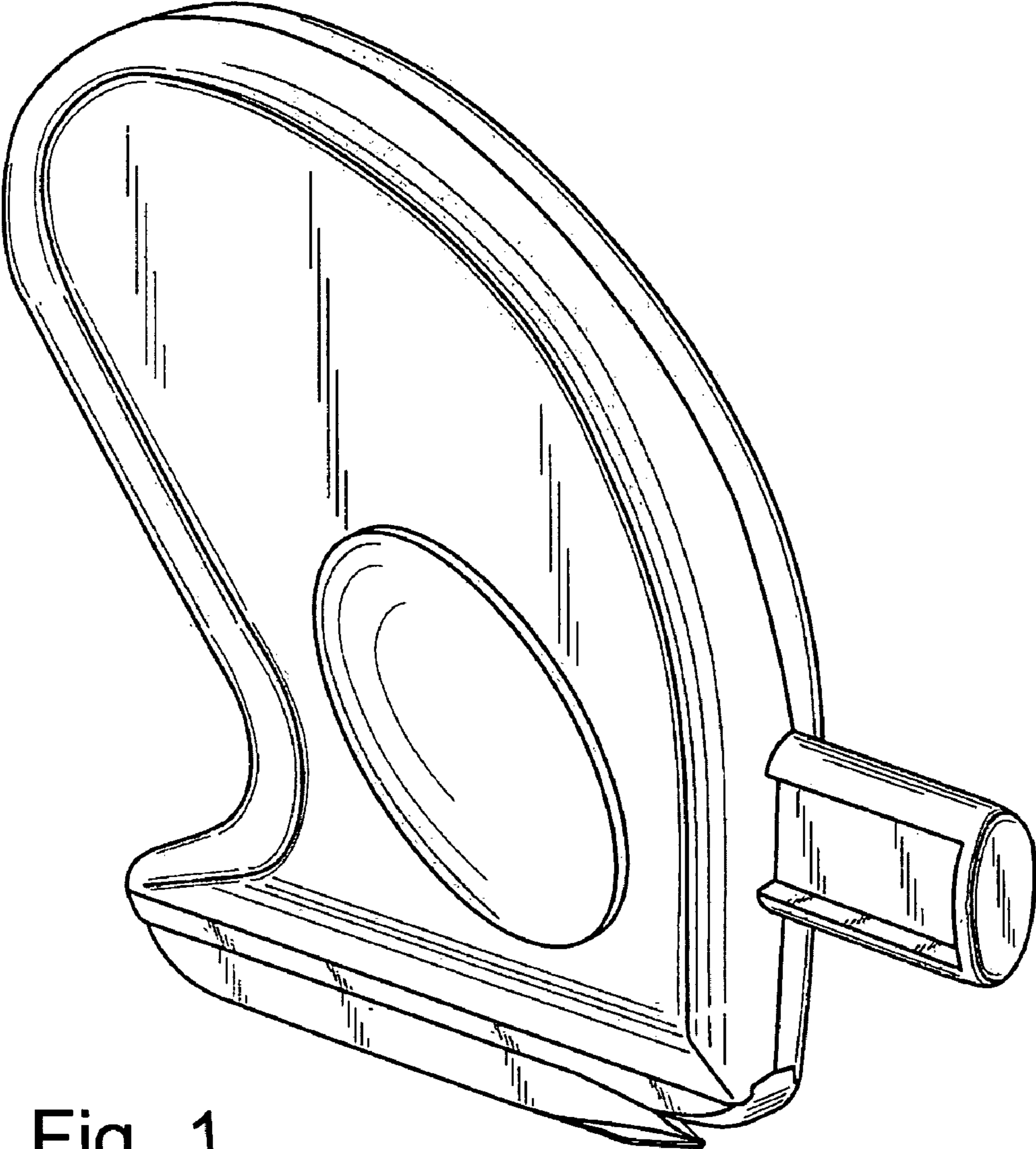


Fig. 1

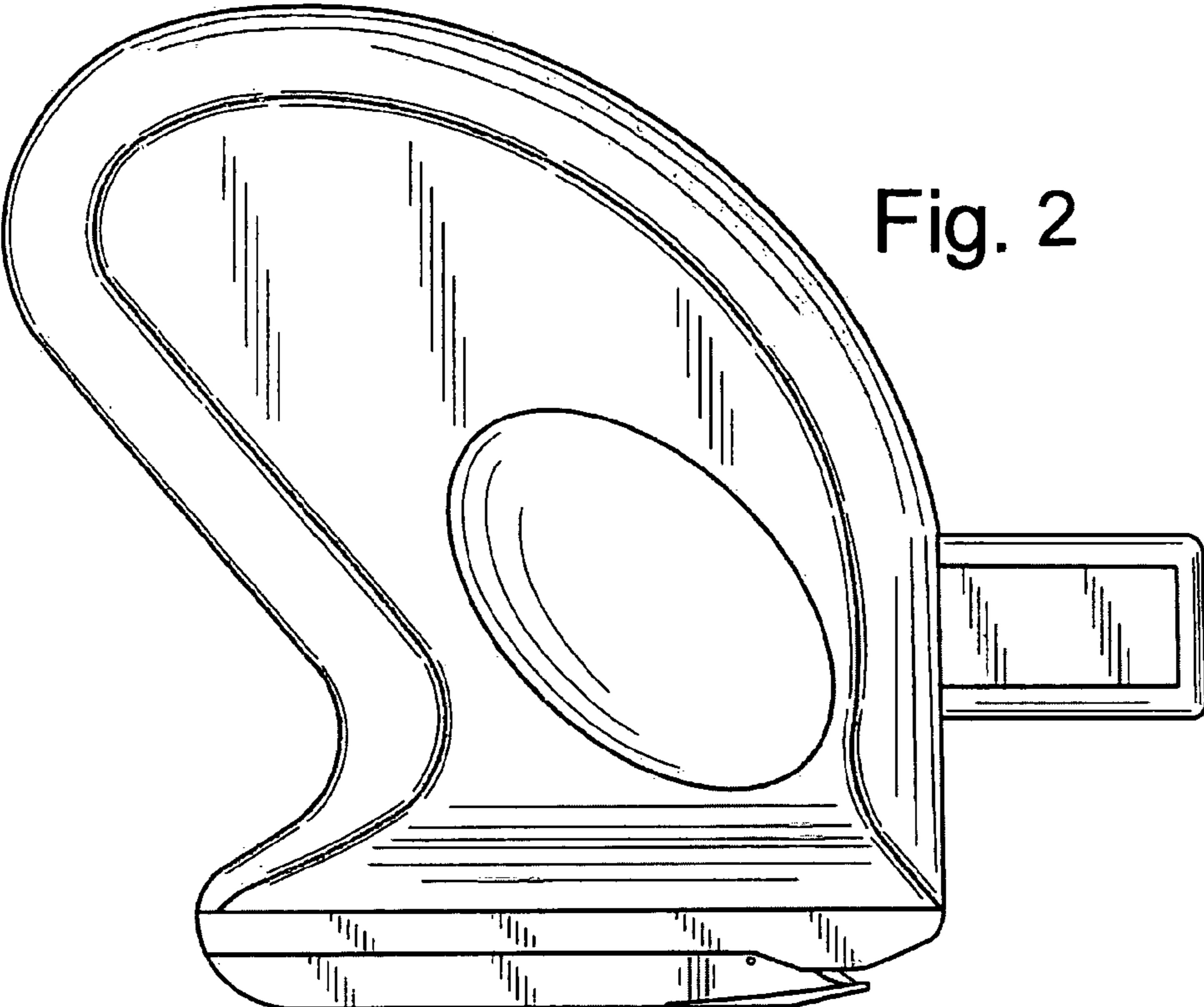


Fig. 2

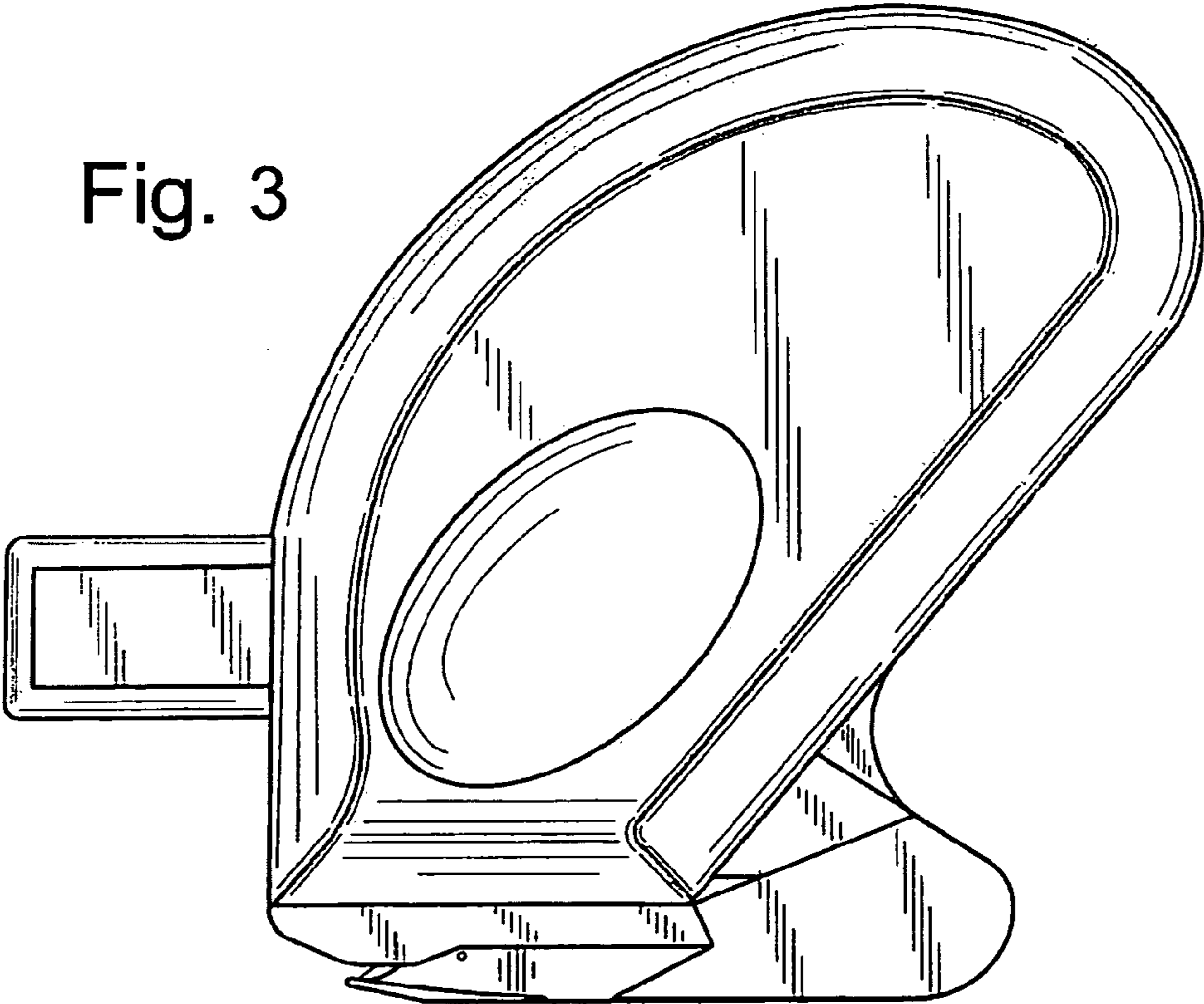


Fig. 3

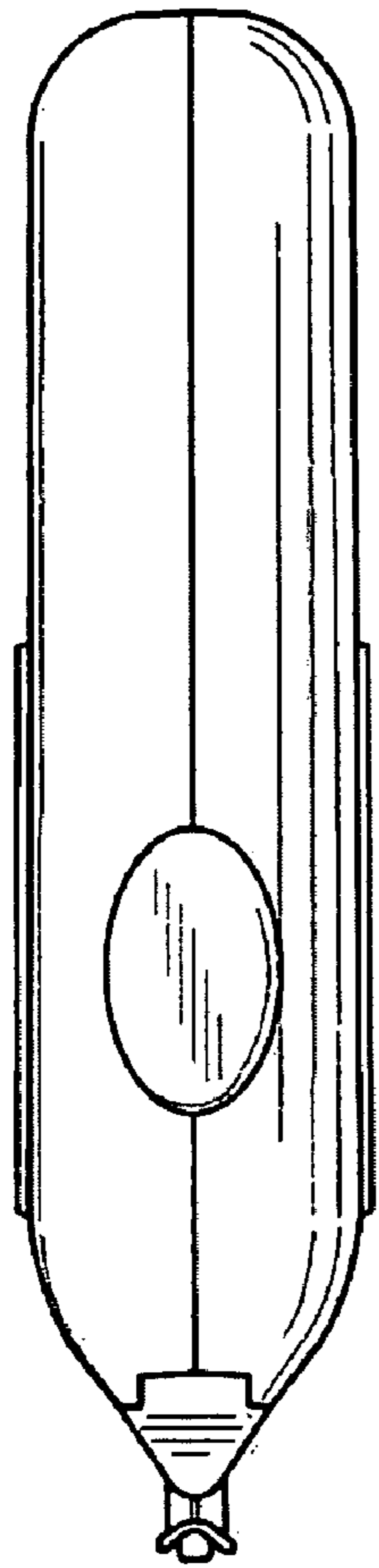
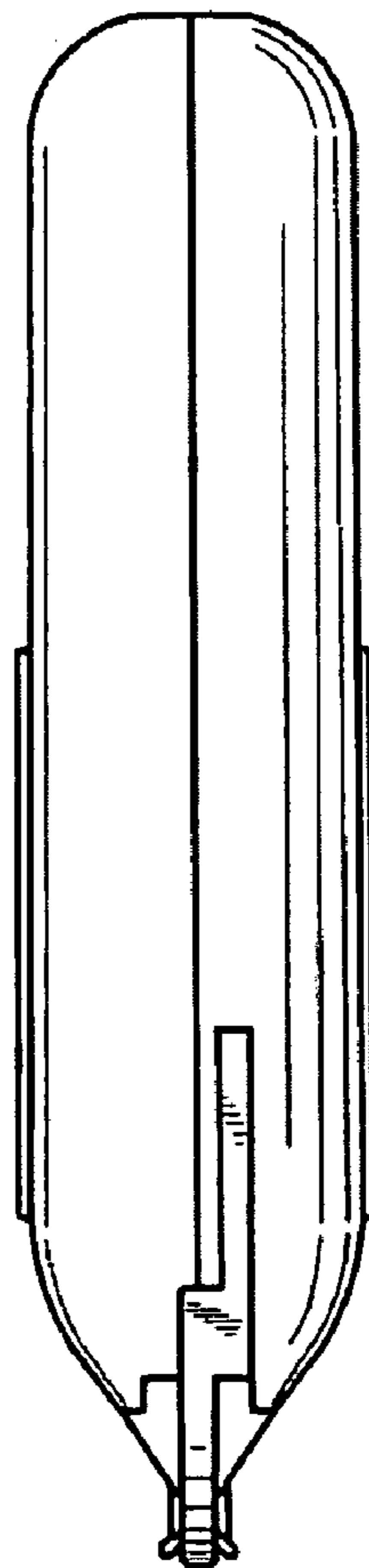


Fig. 4

Fig. 5



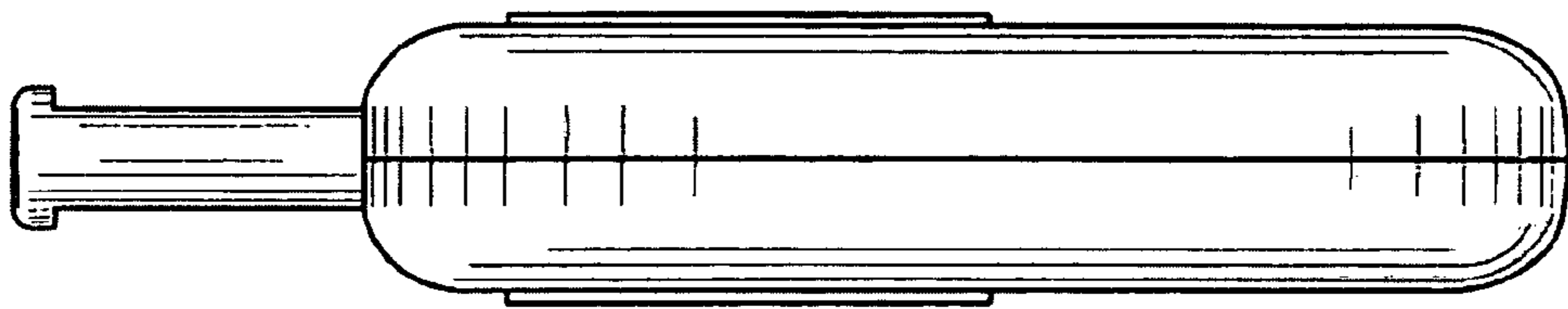


Fig. 6

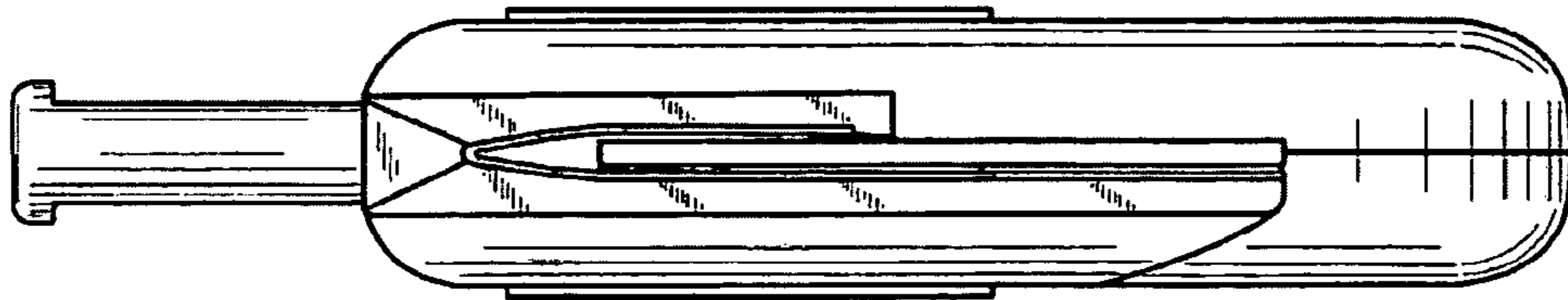


Fig. 7