



US00D608439S

(12) **United States Design Patent**
Mair

(10) **Patent No.:** **US D608,439 S**
(45) **Date of Patent:** **** Jan. 19, 2010**

(54) **AIR REGISTER**

(76) Inventor: **William S. Mair**, Imperial Sheet Metal Ltd., 40 Industrial Park Street, Richibucto, NB (CA) E4W 4A4

(**) Term: **14 Years**

(21) Appl. No.: **29/337,586**

(22) Filed: **May 26, 2009**

(51) **LOC (9) Cl.** **23-04**

(52) **U.S. Cl.** **D23/388**

(58) **Field of Classification Search** D23/385-389, D23/393, 392, 370, 351, 354; 454/309, 275-277, 454/284, 287-291

See application file for complete search history.

(56) **References Cited**

U.S. PATENT DOCUMENTS

D328,344 S *	7/1992	Heidtke	D23/388
D338,060 S *	8/1993	Solie	D23/388
D361,378 S *	8/1995	Mitchell	D23/393
D376,006 S *	11/1996	Smolarski	D23/388
D377,083 S *	12/1996	Smolarski	D23/393
D407,480 S *	3/1999	Leiter et al.	D23/388
D510,997 S *	10/2005	Berger	D23/388

D517,191 S *	3/2006	Berger	D23/388
D517,192 S *	3/2006	Berger	D23/393
D519,626 S *	4/2006	Oosterhuis	D23/388
D522,125 S *	5/2006	Oosterhuis	D23/388
D556,885 S *	12/2007	Suri et al.	D23/389
D591,844 S *	5/2009	Pettit	D23/388

* cited by examiner

Primary Examiner—T. Chase Nelson
Assistant Examiner—David G. Muller

(74) *Attorney, Agent, or Firm*—Edward J. Chalfie; Husch Blackwell Sanders Welsh & Katz

(57) **CLAIM**

The ornamental design for an air register, as shown and described.

DESCRIPTION

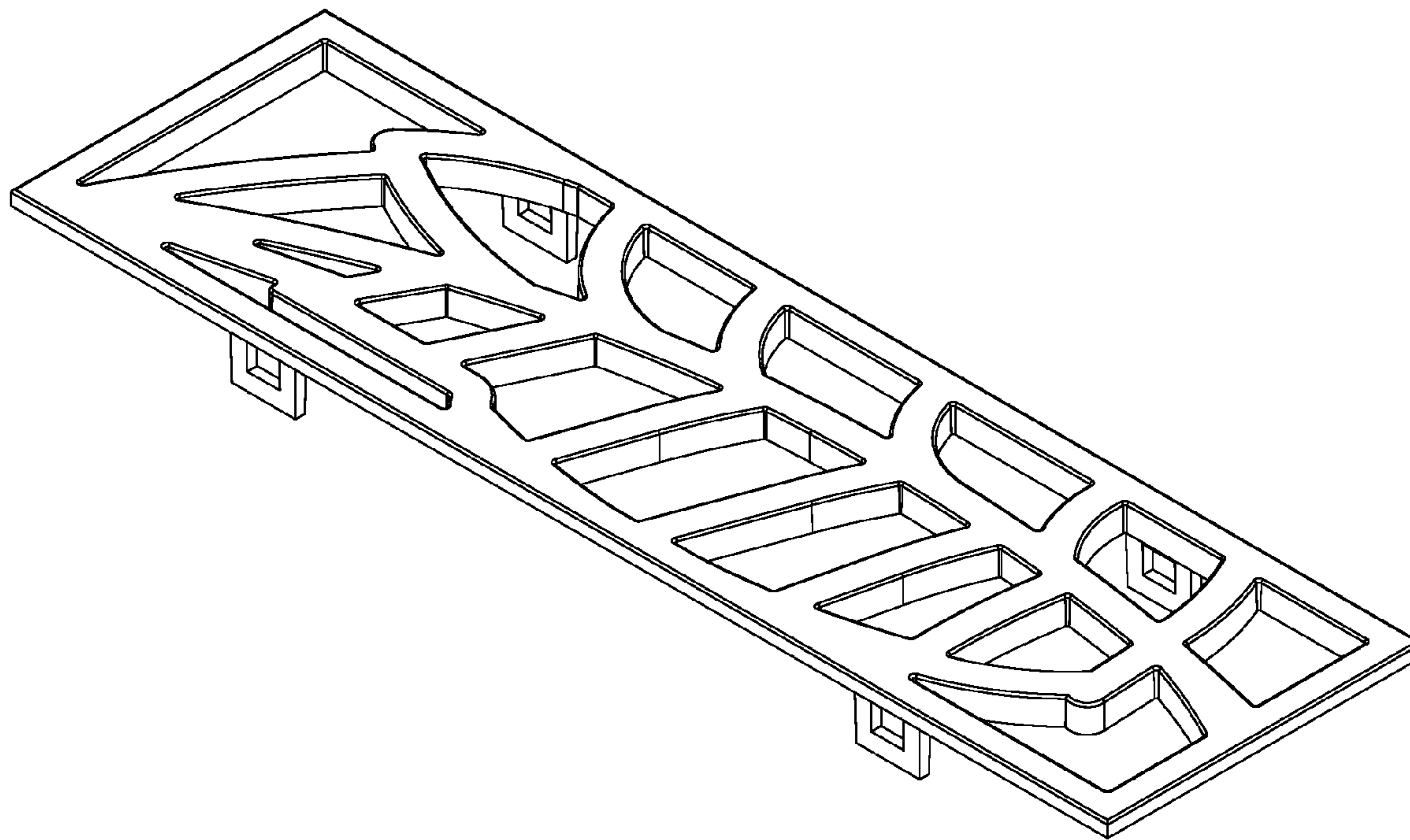
FIG. 1 is a perspective top view of the air register showing my new design;

FIG. 2 is a left side elevation view thereof, the right side elevation view being a mirror image;

FIG. 3 is a top plan view thereof; and,

FIG. 4 is a front elevation view thereof, the rear elevation view being a mirror image.

1 Claim, 4 Drawing Sheets



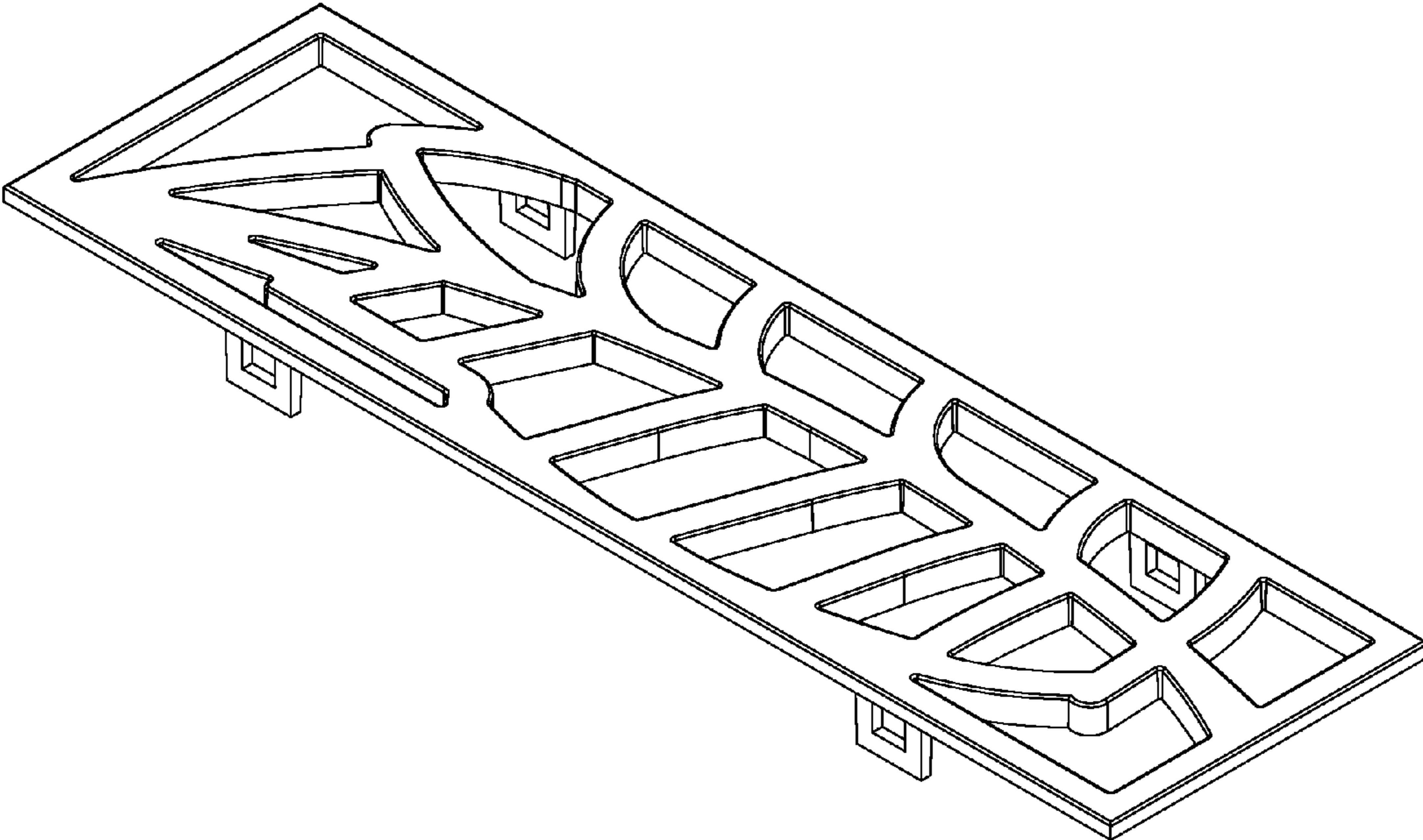


Fig. 1

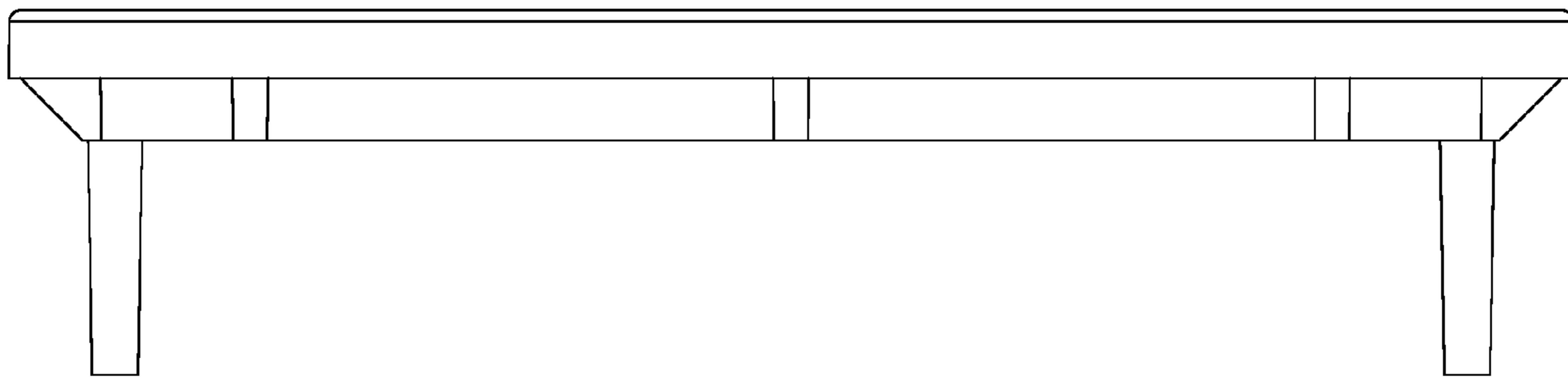


Fig. 2

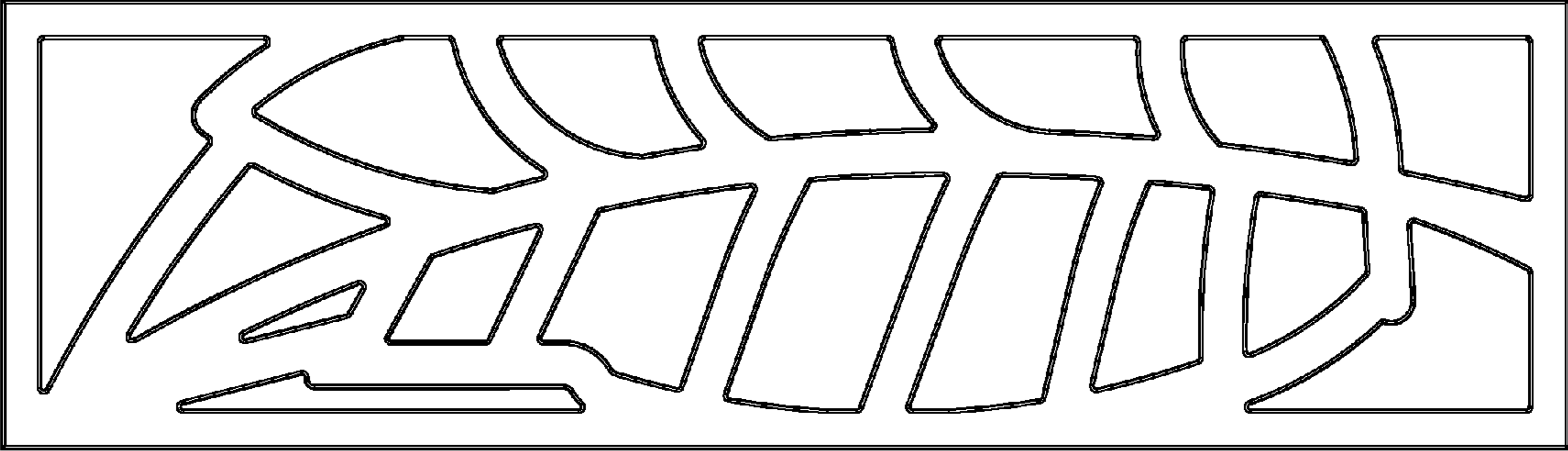


Fig. 3



Fig. 4