



US00D608437S

(12) **United States Design Patent**
Wawoe et al.

(10) **Patent No.:** **US D608,437 S**
(45) **Date of Patent:** **** Jan. 19, 2010**

- (54) **FAN**
- (75) Inventors: **Pascual J. L. Wawoe**, Altadena, CA (US); **James J. Girard**, Boise, ID (US); **Glen W. Ediger**, North Newton, KS (US); **Matthew L. Rice**, Kent, WA (US); **Gary P. Israel**, Andover, KS (US)
- (73) Assignee: **Vornado Air Circulation Systems, Inc.**, Andover, KS (US)

- D441,065 S 4/2001 Ediger et al.
- D513,435 S 1/2006 Ediger
- D537,515 S 2/2007 Ediger et al.
- D537,516 S 2/2007 Ediger et al.

(Continued)

Primary Examiner—Lisa P Lichtenstein
(74) *Attorney, Agent, or Firm*—Stinson Morrison Hecker LLP

- (**) Term: **14 Years**
- (21) Appl. No.: **29/289,455**

(57) **CLAIM**

The ornamental design for a fan, as shown and described.

- (22) Filed: **Jul. 20, 2007**
- (51) **LOC (9) Cl.** **23-04**
- (52) **U.S. Cl.** **D23/382**
- (58) **Field of Classification Search** D23/370, D23/382, 381, 411, 412; 416/247 R, 244 R
See application file for complete search history.

DESCRIPTION

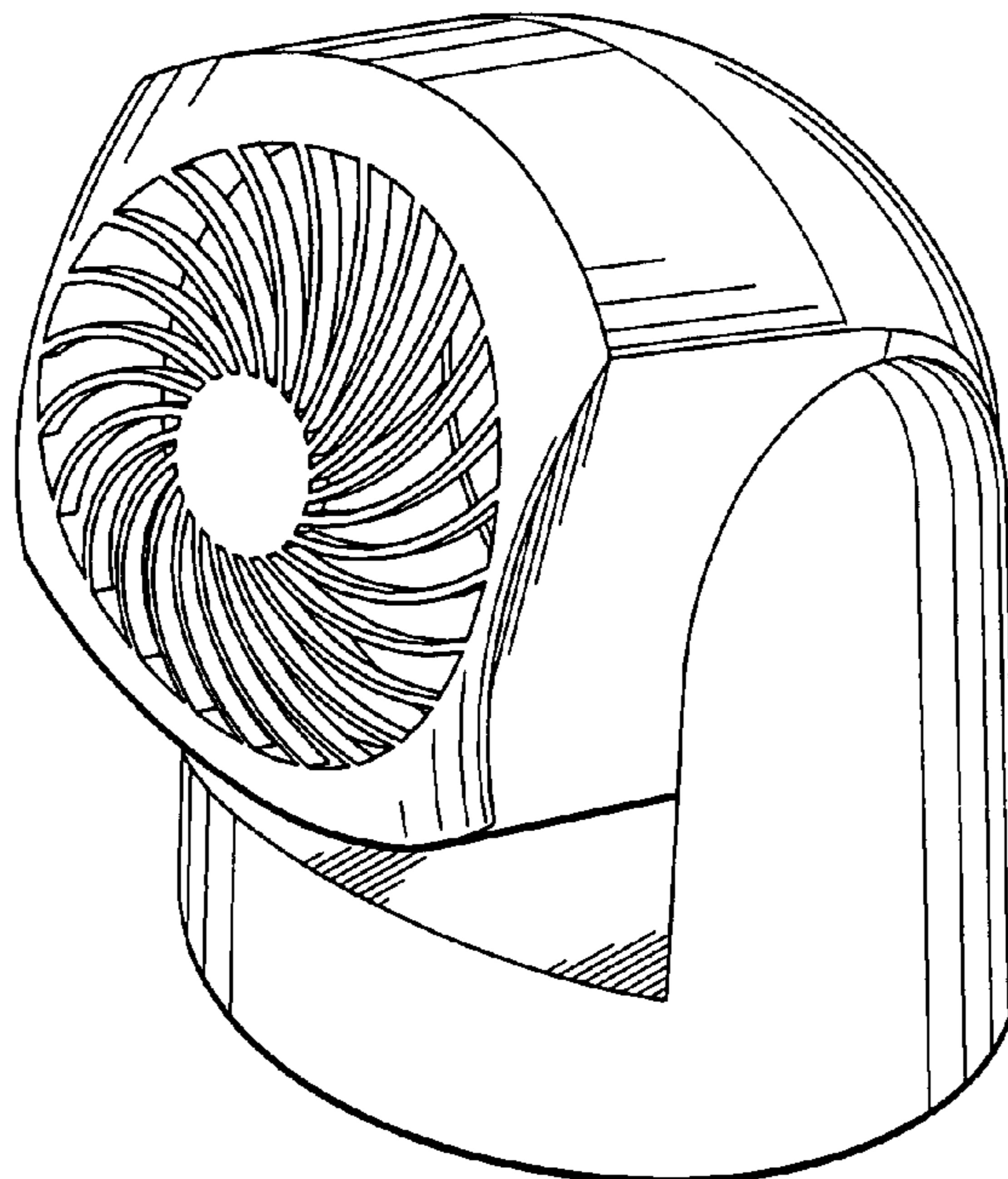
FIG. 1 is a front perspective view of the fan in a first position; FIG. 2 is a front perspective view of the fan in a second position; FIG. 3 is a front elevational view of the fan of FIG. 1; FIG. 4 is a rear elevational view of the fan of FIG. 1; FIG. 5 is a left side elevational view of the fan of FIG. 1; FIG. 6 is a right side elevational view of the fan of FIG. 1; FIG. 7 is a top plan view of the fan of FIG. 1; FIG. 8 is a bottom plan view of the fan of FIG. 1; FIG. 9 is a front elevational view of the fan of FIG. 2; FIG. 10 is a rear elevational view of the fan of FIG. 2; FIG. 11 is a left side elevational view of the fan of FIG. 2; FIG. 12 is a right side elevational view of the fan of FIG. 2; FIG. 13 is a top plan view of the fan of FIG. 2; and, FIG. 14 is a bottom plan view of the fan of FIG. 2.

(56) **References Cited**

U.S. PATENT DOCUMENTS

- 4,927,324 A 5/1990 Coup et al.
- D312,124 S 11/1990 Coup et al.
- D325,435 S 4/1992 Coup et al.
- D325,629 S 4/1992 Coup et al.
- D329,089 S 9/1992 Coup et al.
- D329,696 S 9/1992 Ediger et al.
- RE34,551 E 2/1994 Coup et al.
- D374,280 S 10/1996 Ediger et al.
- D398,983 S 9/1998 Keller et al.
- D400,242 S * 10/1998 Litvin D23/382
- D413,664 S 9/1999 Keller et al.
- D416,619 S 11/1999 Ediger et al.

1 Claim, 7 Drawing Sheets



US D608,437 S

Page 2

U.S. PATENT DOCUMENTS

D541,926 S *	5/2007	Russak et	D23/382		
D546,933 S *	7/2007	Chen	D23/382	* cited by examiner	
				D582,540 S * 12/2008 Hsu	D23/382

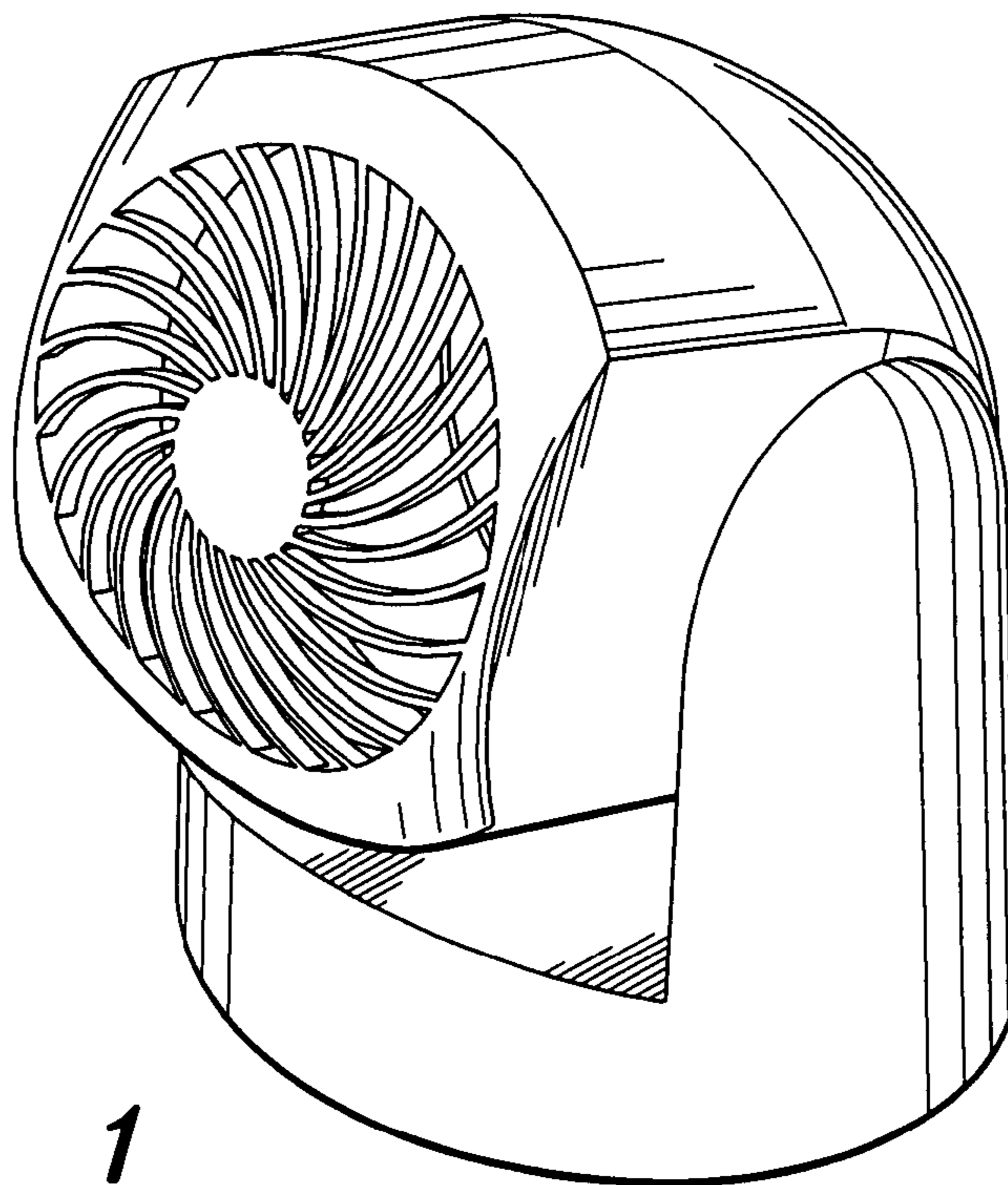


FIG. 1

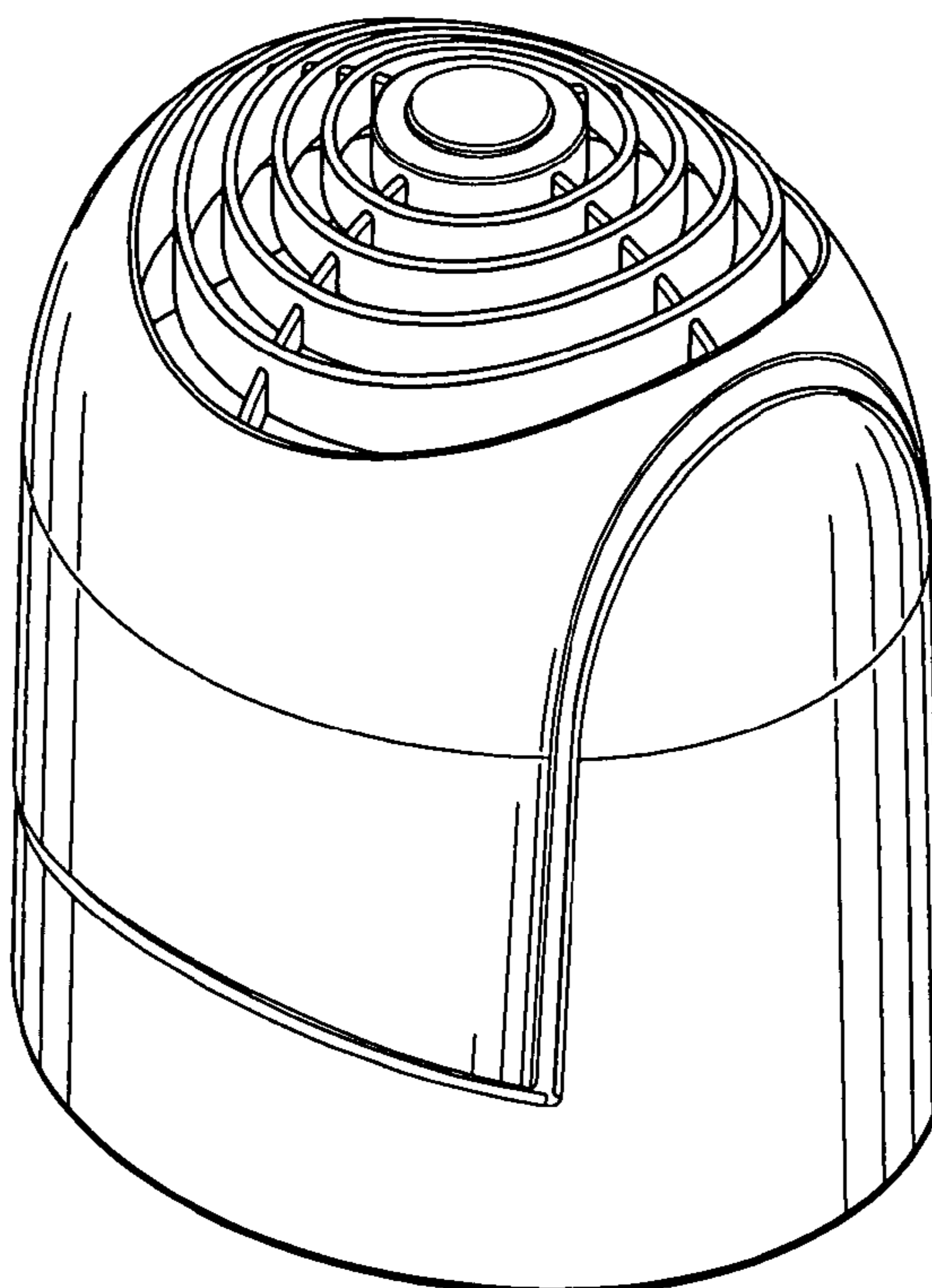


FIG. 2

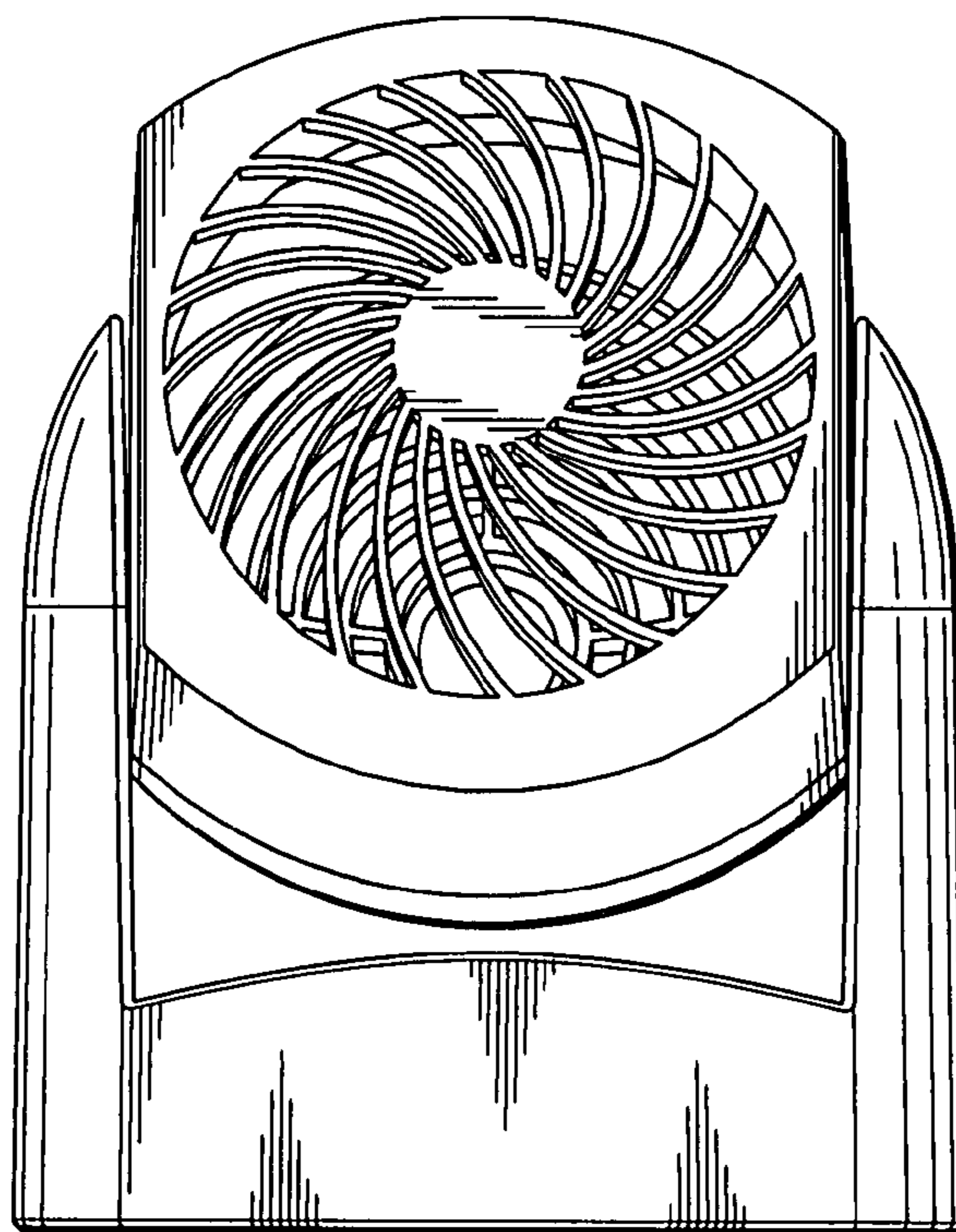


FIG. 3

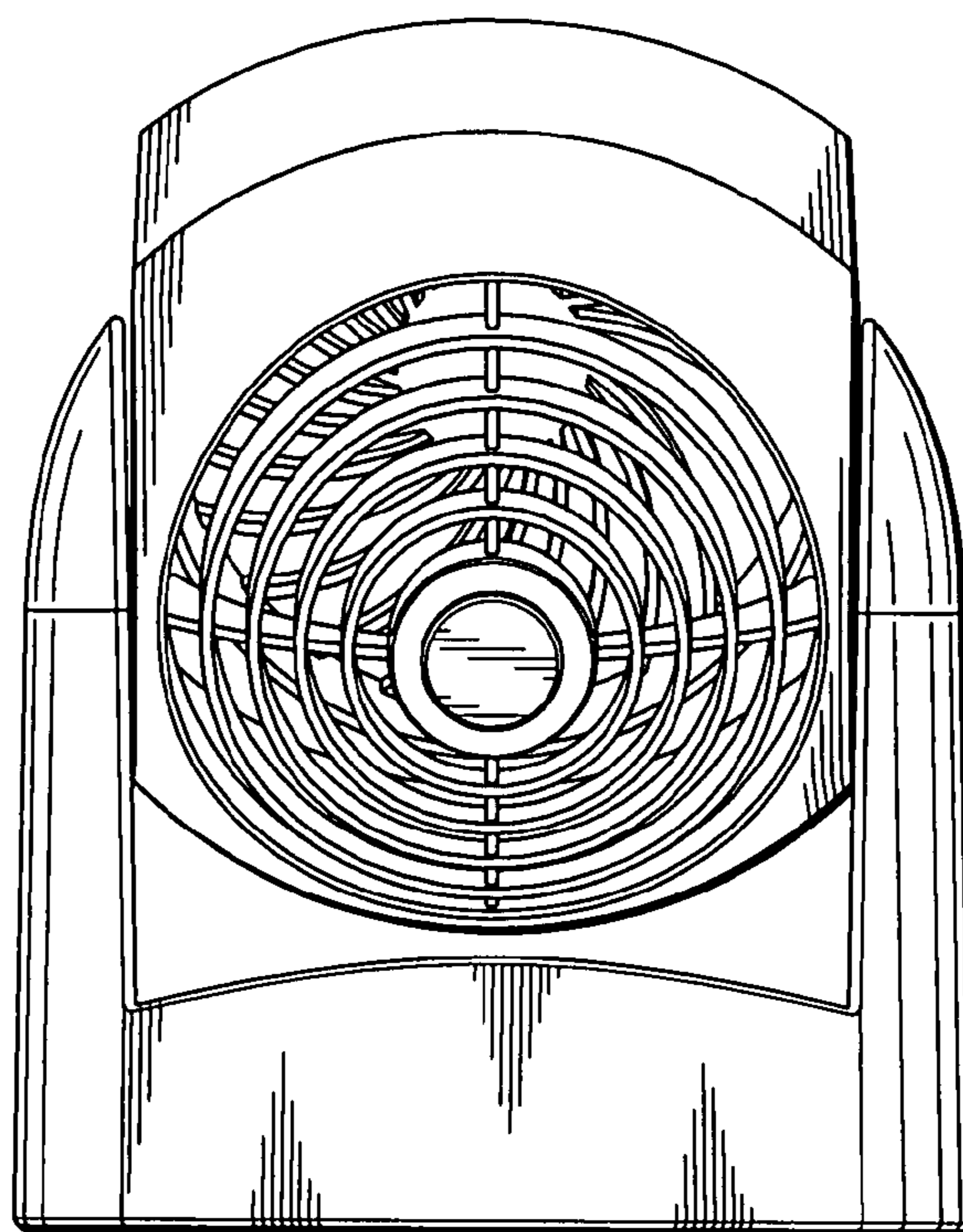


FIG. 4

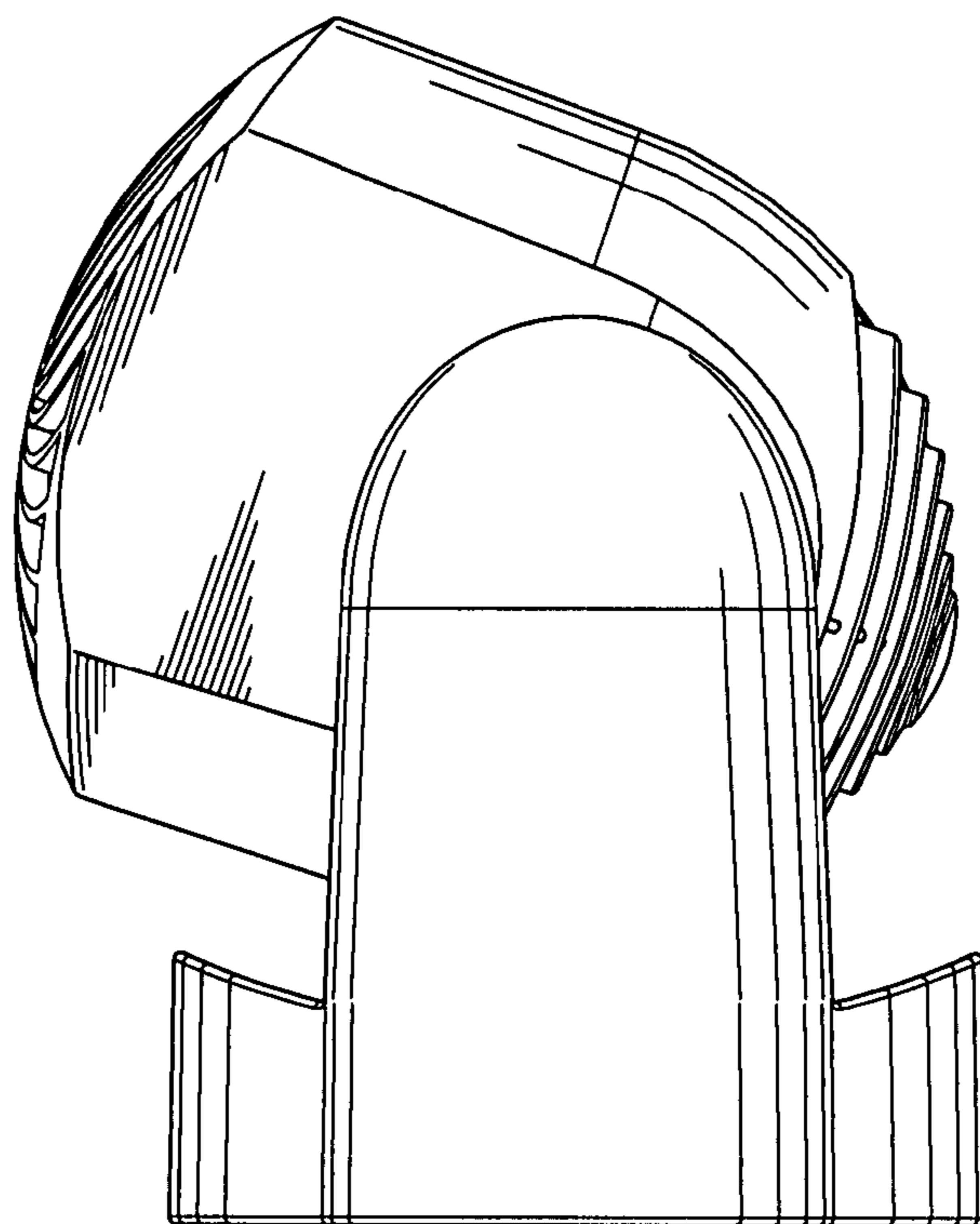


FIG. 5

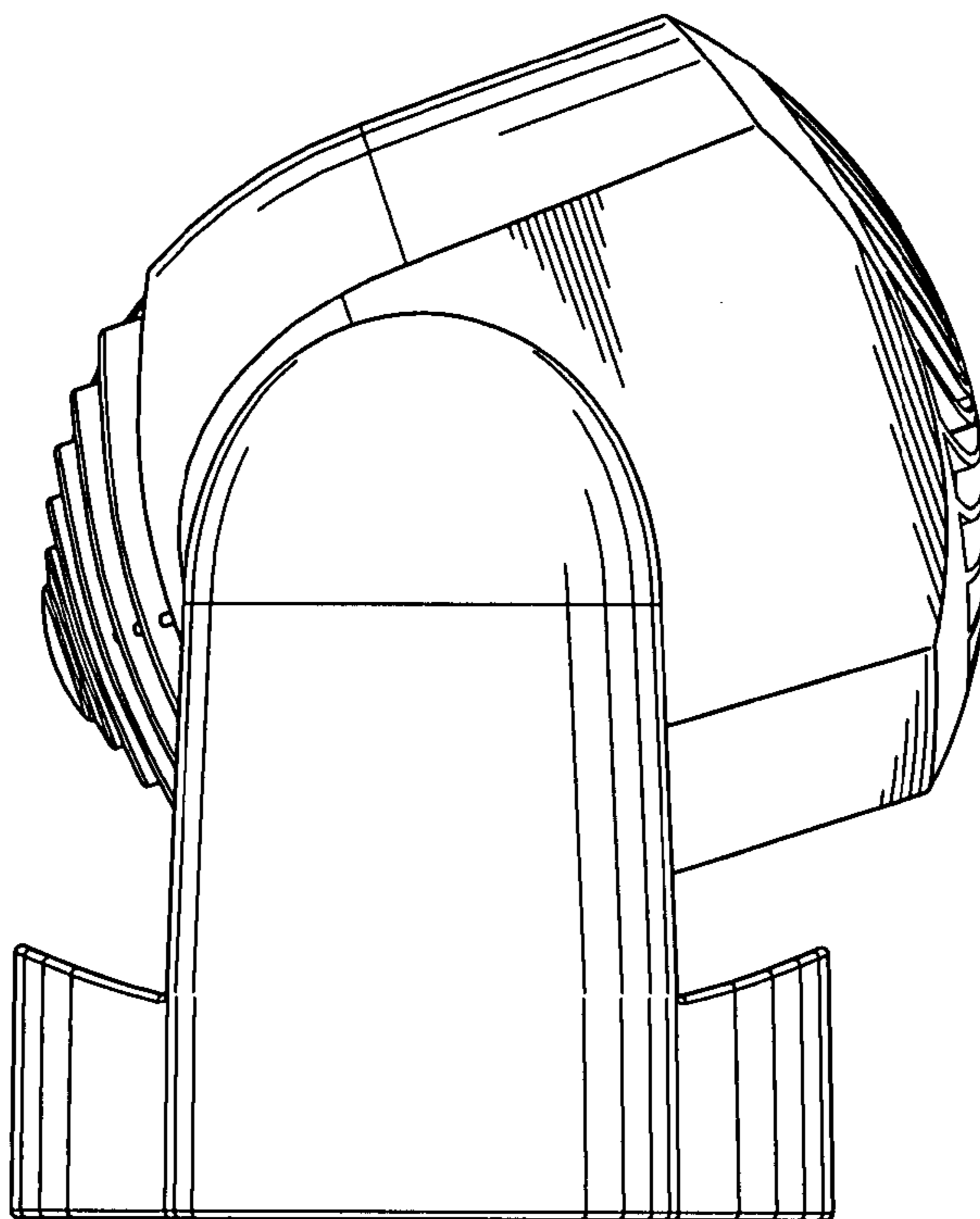


FIG. 6

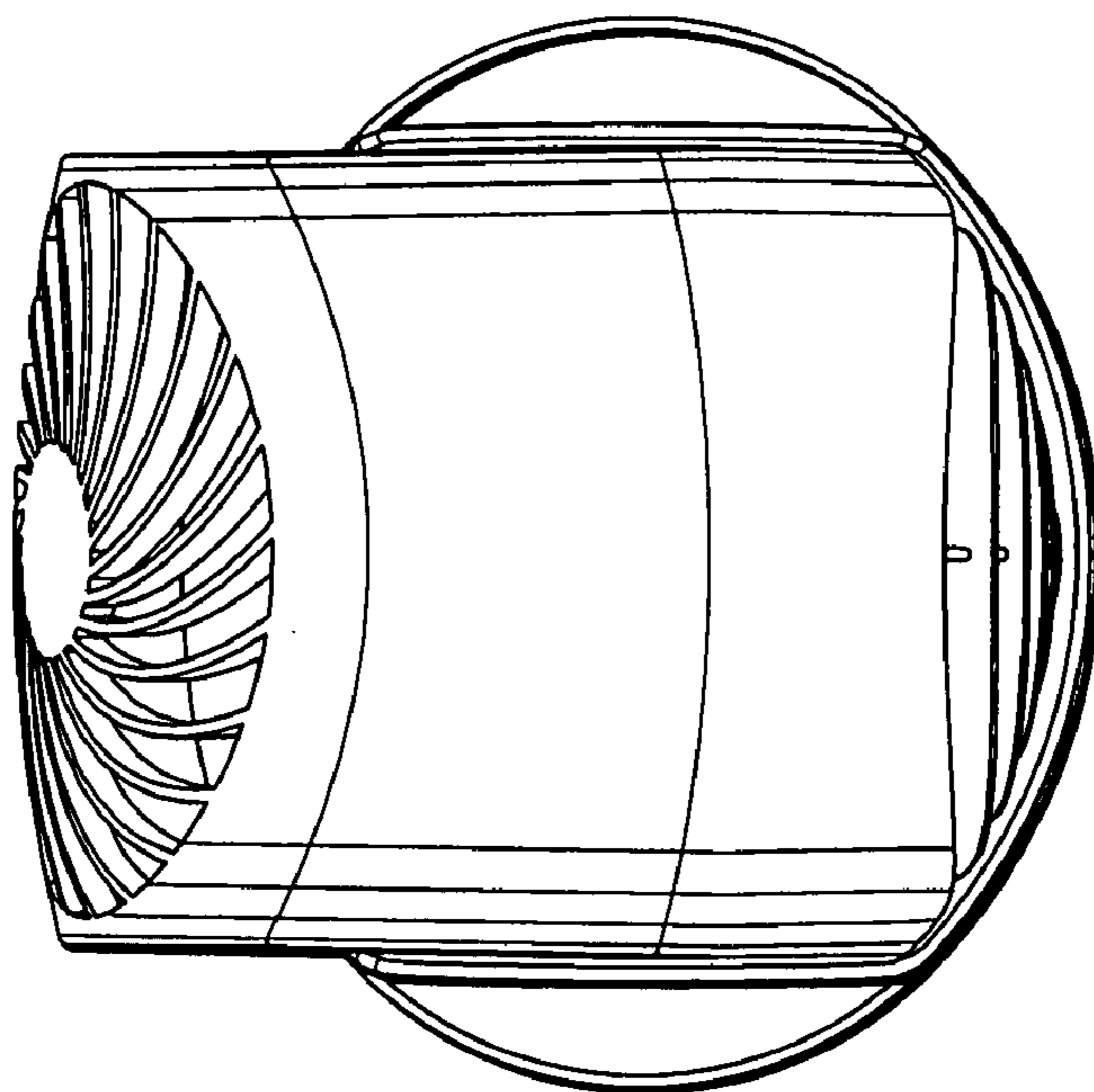


FIG. 7

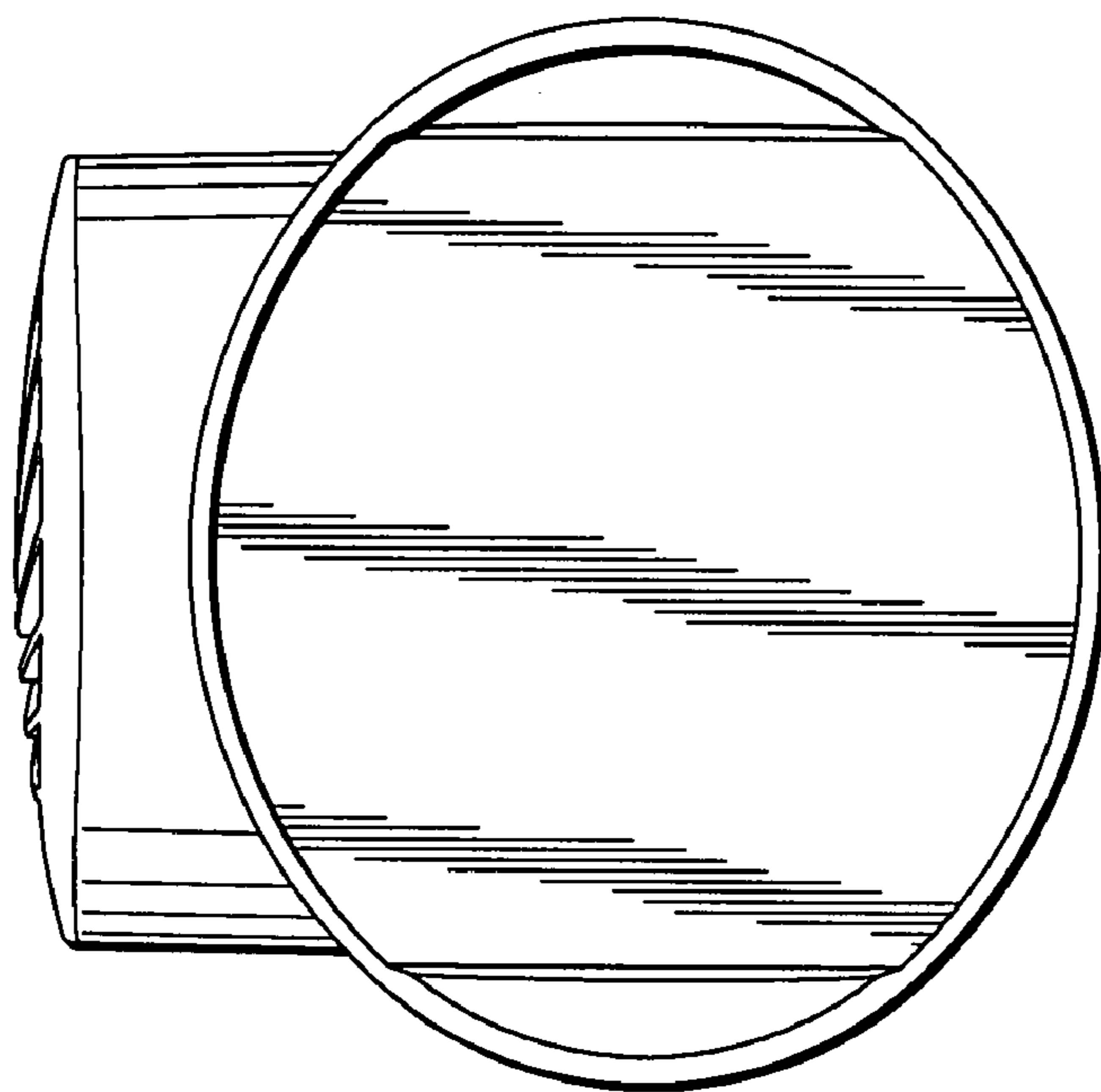


FIG. 8

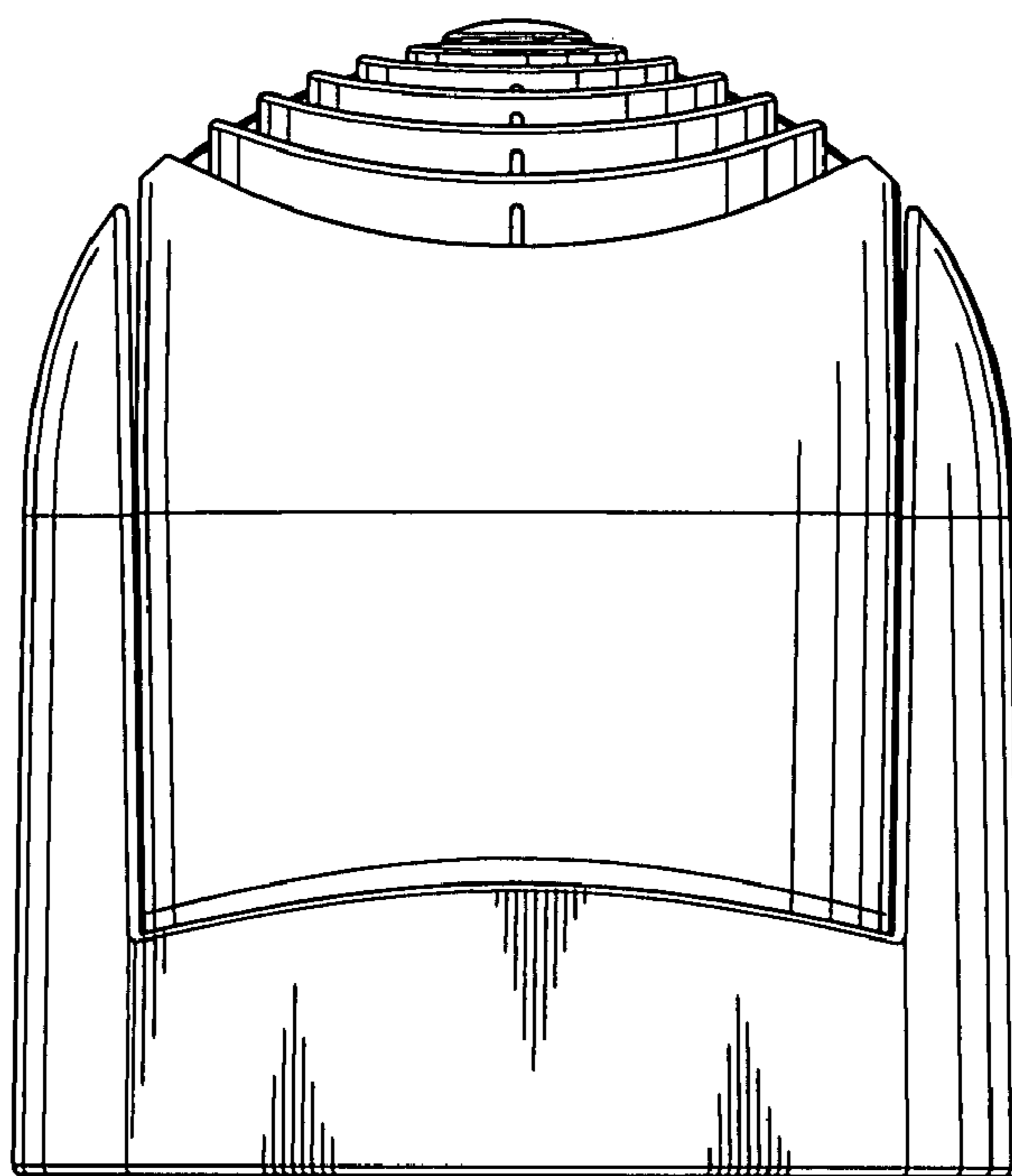


FIG. 9

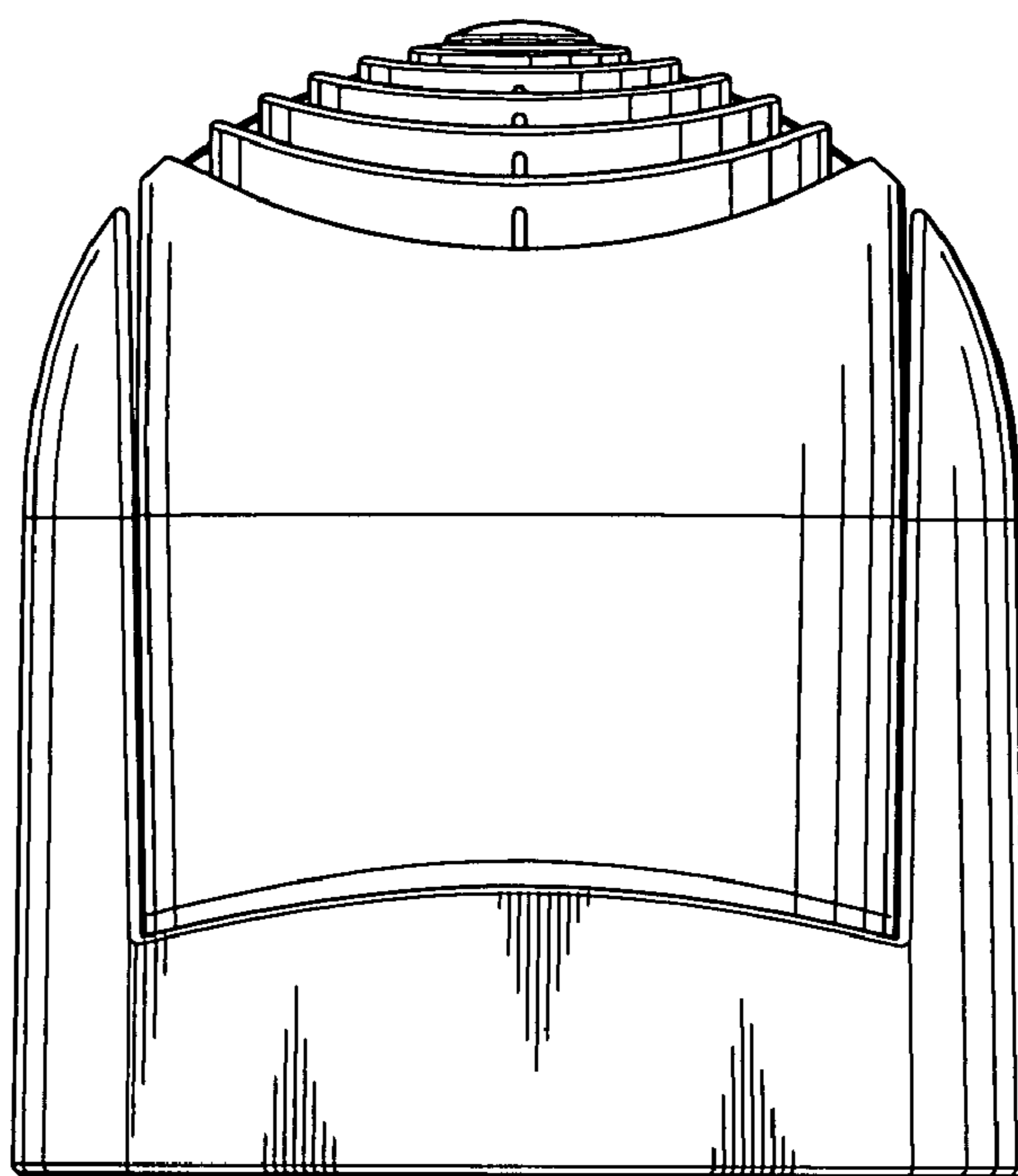


FIG. 10

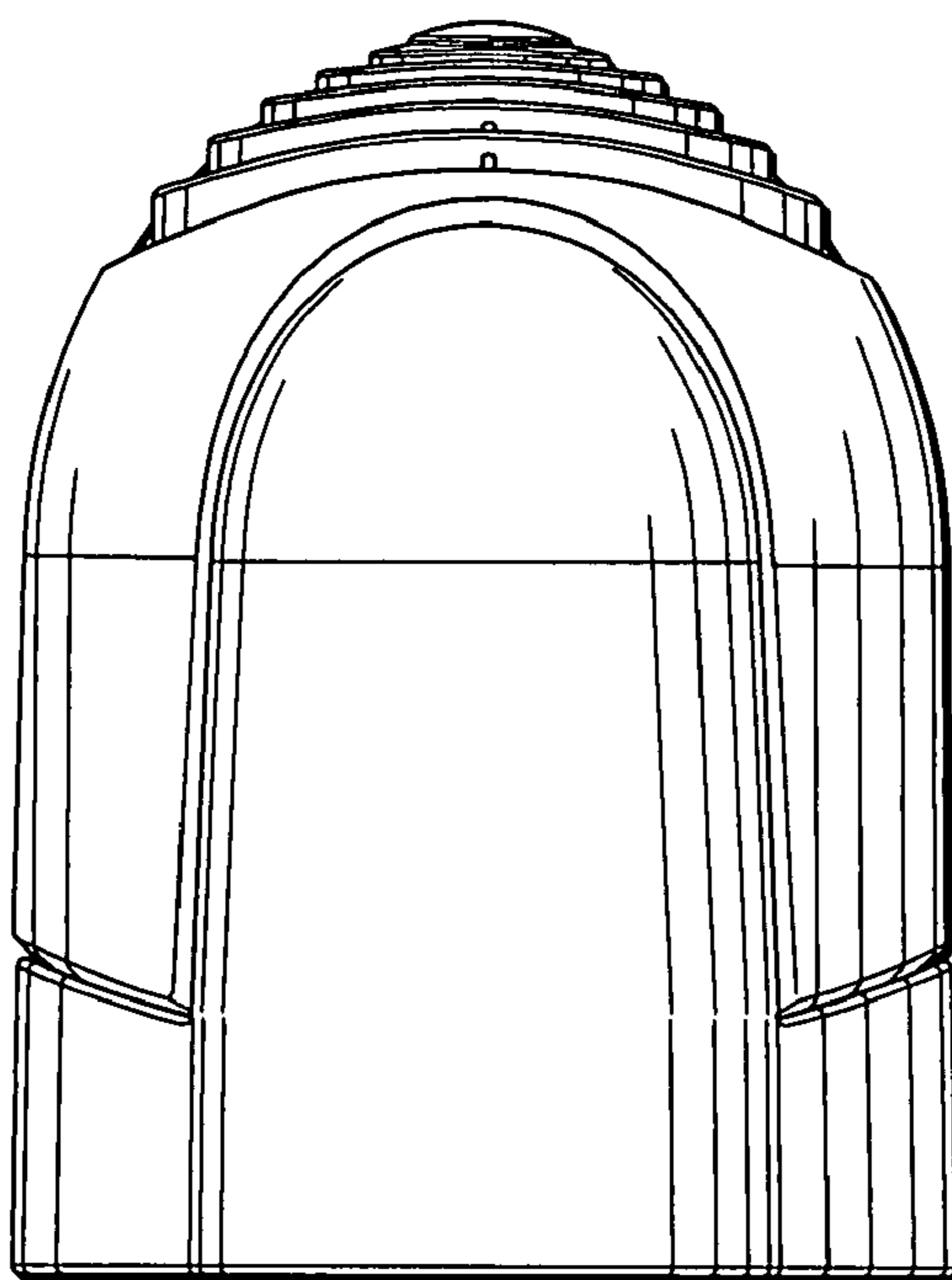


FIG. 11

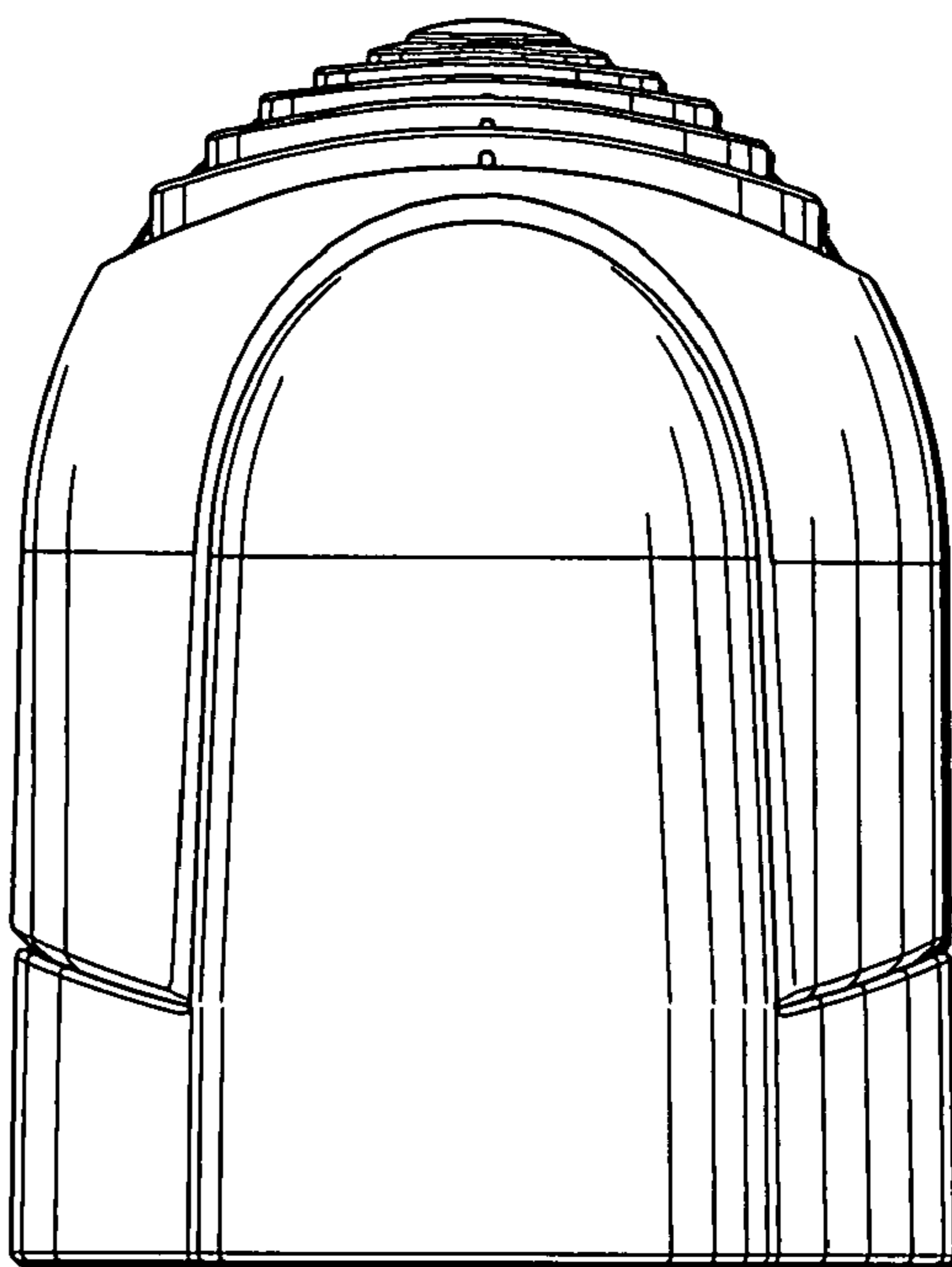


FIG. 12

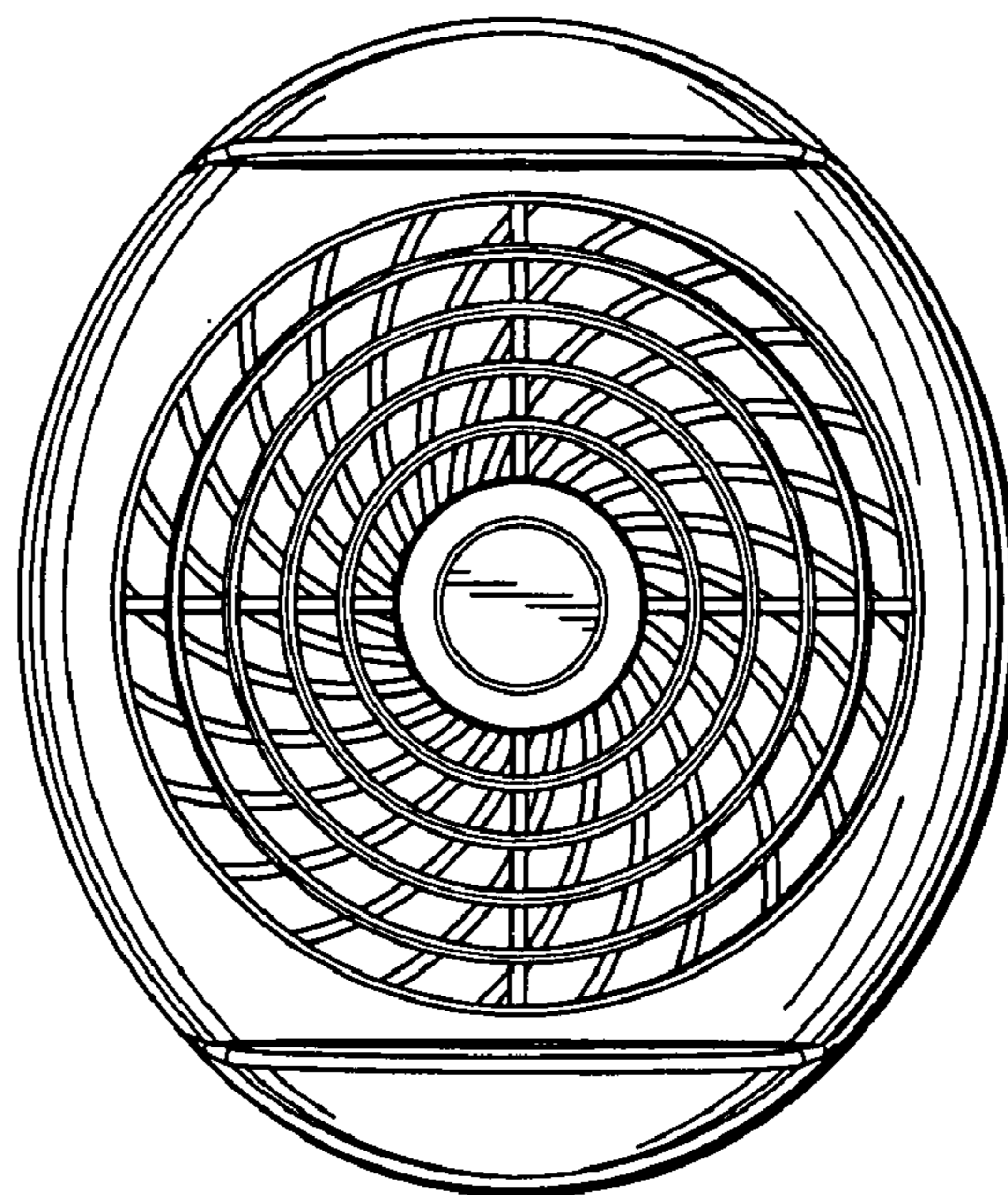


FIG. 13

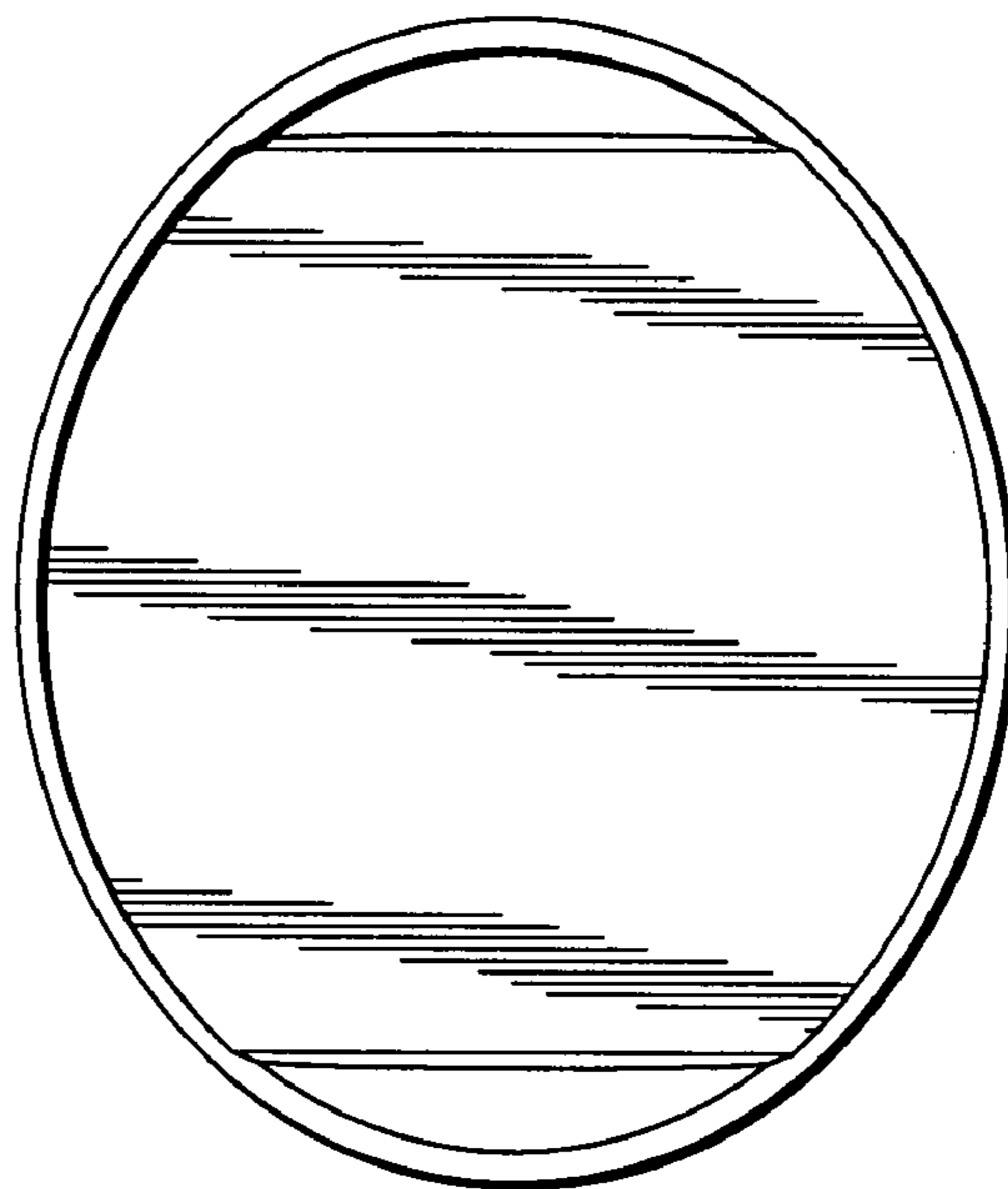


FIG. 14