



US00D608434S

(12) **United States Design Patent**
Niki

(10) **Patent No.:** **US D608,434 S**

(45) **Date of Patent:** **** Jan. 19, 2010**

(54) **AIR PURIFIER**

(75) Inventor: **Kentarou Niki**, Kusatsu (JP)

(73) Assignee: **Daikin Industries Ltd.**, Osaka-Shi,
Osaka (JP)

(**) Term: **14 Years**

(21) Appl. No.: **29/347,052**

(22) Filed: **Sep. 9, 2009**

(51) **LOC (9) Cl.** **23-04**

(52) **U.S. Cl.** **D23/364**

(58) **Field of Classification Search** D23/364,
D23/355, 356, 359, 360, 366, 369, 332, 333,
D23/335, 342, 351; 422/120, 122; 55/356,
55/473, 504; 96/97; D14/188, 170, 172;
261/DIG. 17, DIG. 65, DIG. 88, DIG. 31;
D18/34.6

See application file for complete search history.

(56) **References Cited**

U.S. PATENT DOCUMENTS

D521,135 S *	5/2006	Kita	D23/364
D537,512 S *	2/2007	Nakajima	D23/359
D549,308 S *	8/2007	Chiu	D23/333
D550,343 S *	9/2007	Chen	D23/364
D577,800 S *	9/2008	Yoon	D23/359
D586,451 S *	2/2009	Murai	D23/364
D587,794 S *	3/2009	Yoo et al.	D23/359

D589,132 S *	3/2009	Chiu	D23/333
D594,948 S *	6/2009	Lewis	D23/335
D595,825 S *	7/2009	Ohta et al.	D23/364
D598,087 S *	8/2009	Park et al.	D23/333
D599,456 S *	9/2009	Choi	D23/364
D602,576 S *	10/2009	Gildersleeve et al.	D23/333

* cited by examiner

Primary Examiner—T. Chase Nelson

Assistant Examiner—David G Muller

(74) *Attorney, Agent, or Firm*—Manabu Kanesaka

(57) **CLAIM**

The ornamental design for an air purifier, as shown and described.

DESCRIPTION

FIG. 1 is a perspective view of an air purifier showing my new design;

FIG. 2 is a front view thereof;

FIG. 3 is a rear view thereof;

FIG. 4 is a plan view thereof;

FIG. 5 is a bottom view thereof;

FIG. 6 is a left side view thereof; and,

FIG. 7 is a right side view thereof.

The broken lines depict portions of air purifier that form no part of claimed design.

1 Claim, 6 Drawing Sheets

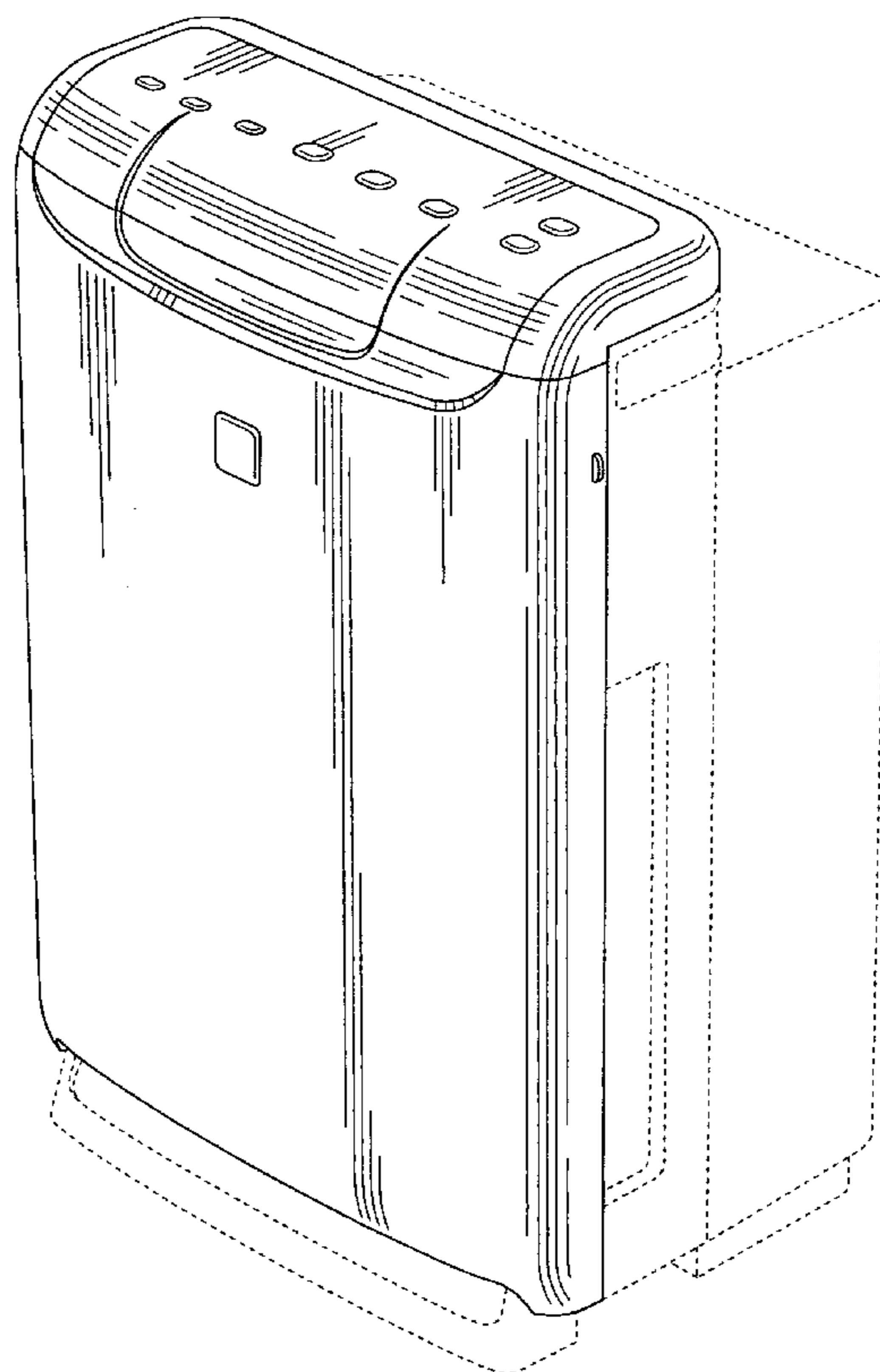


FIG.1

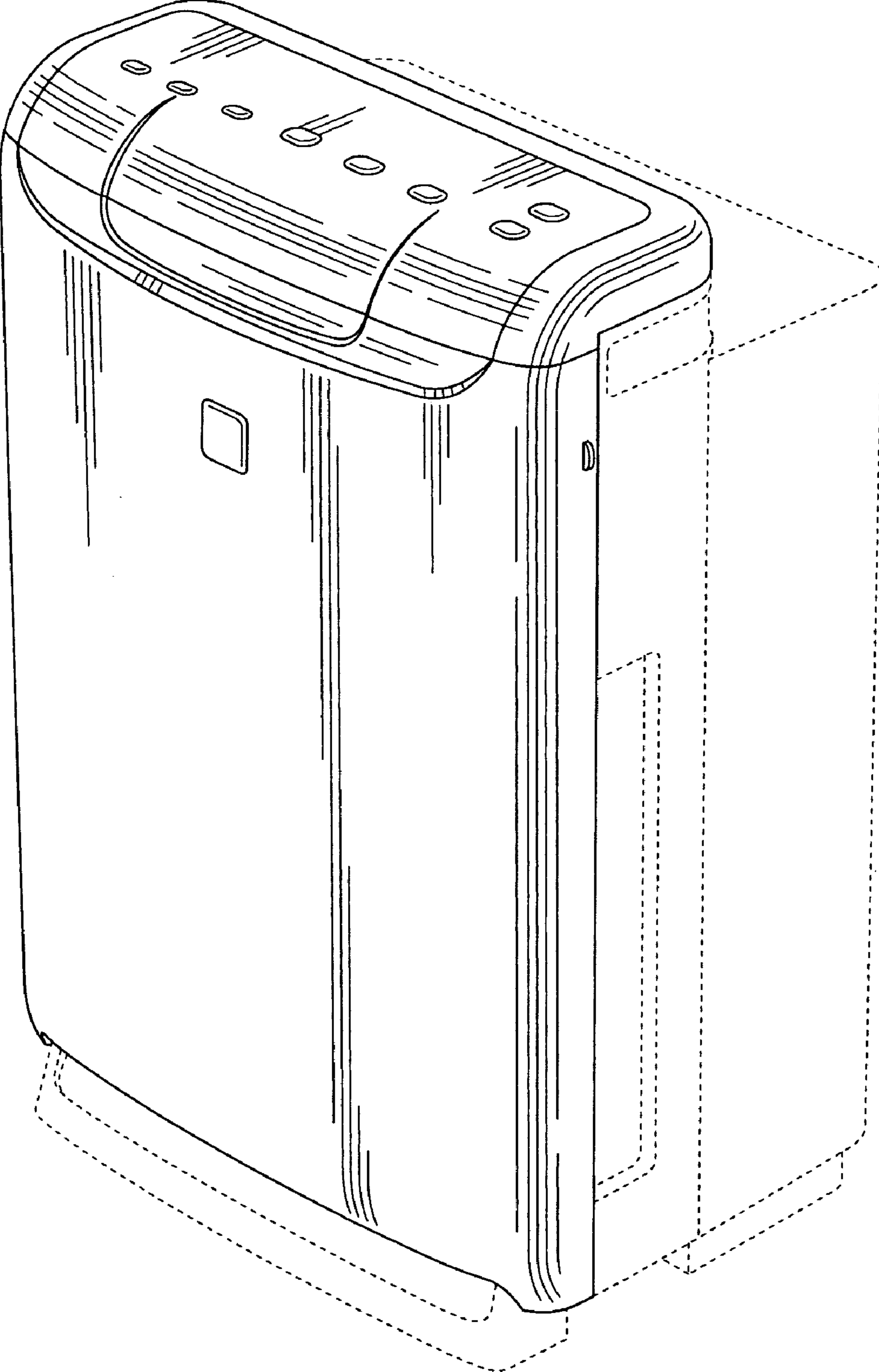


FIG.2

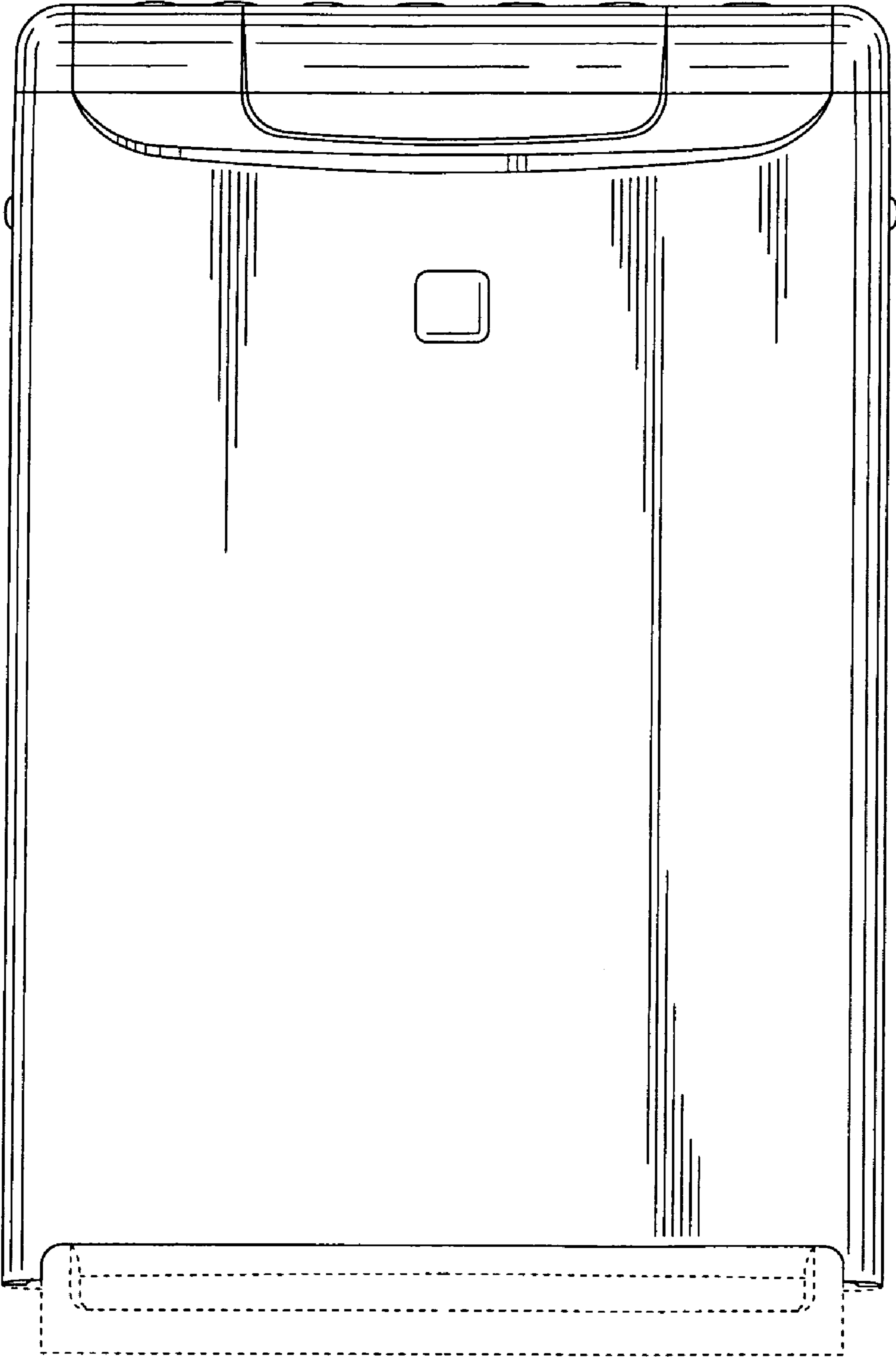


FIG.3

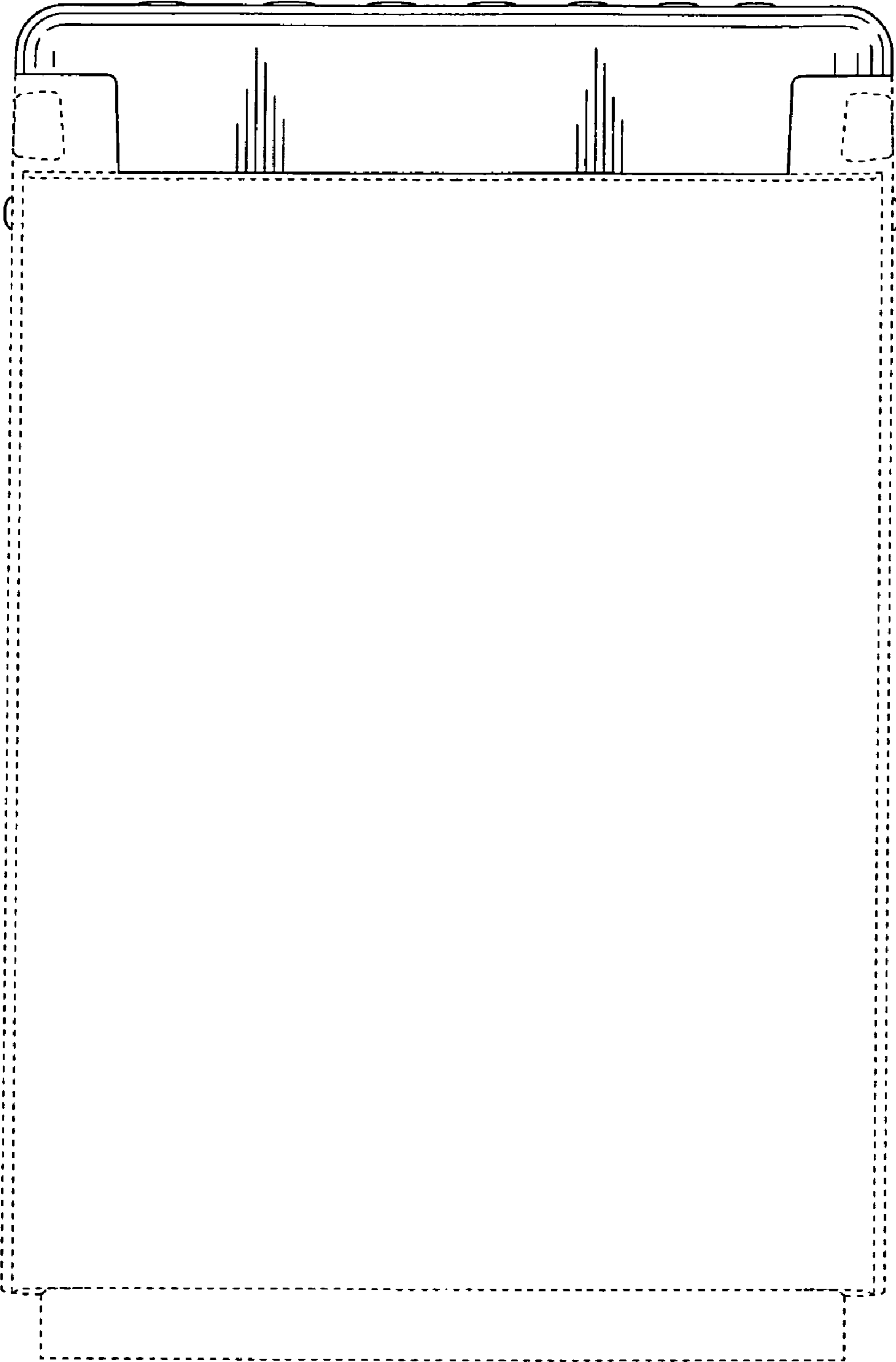


FIG.4

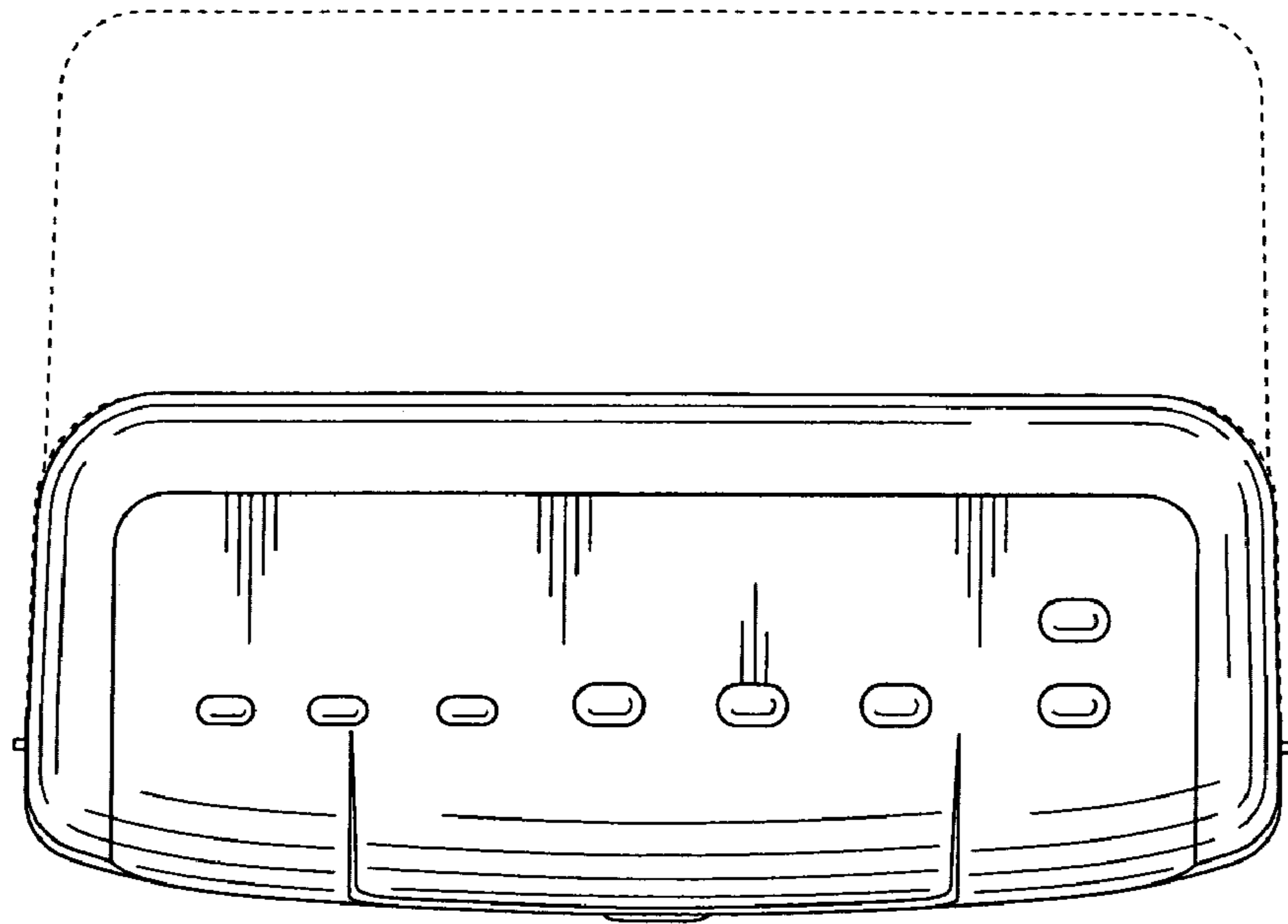


FIG.5

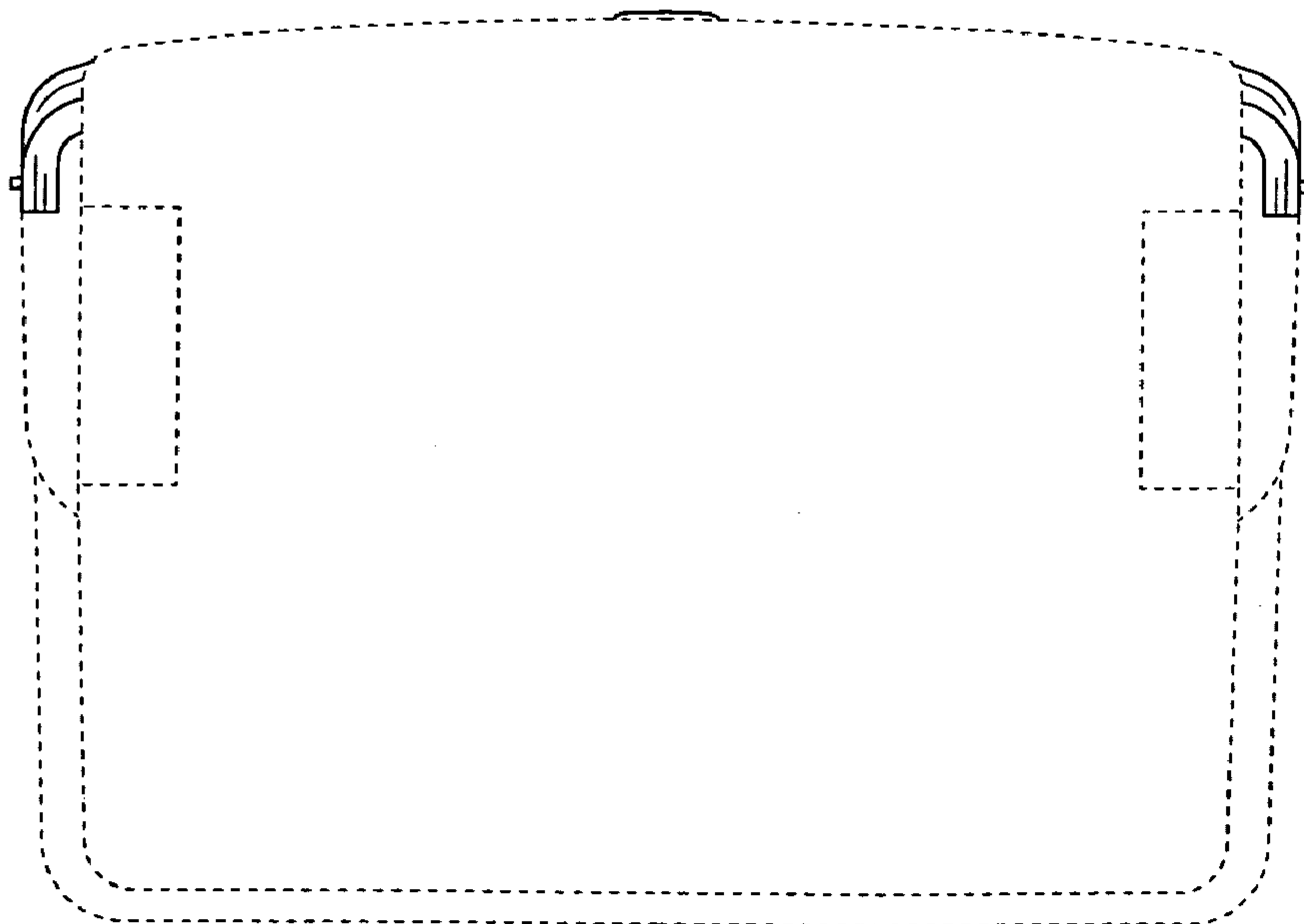


FIG.6

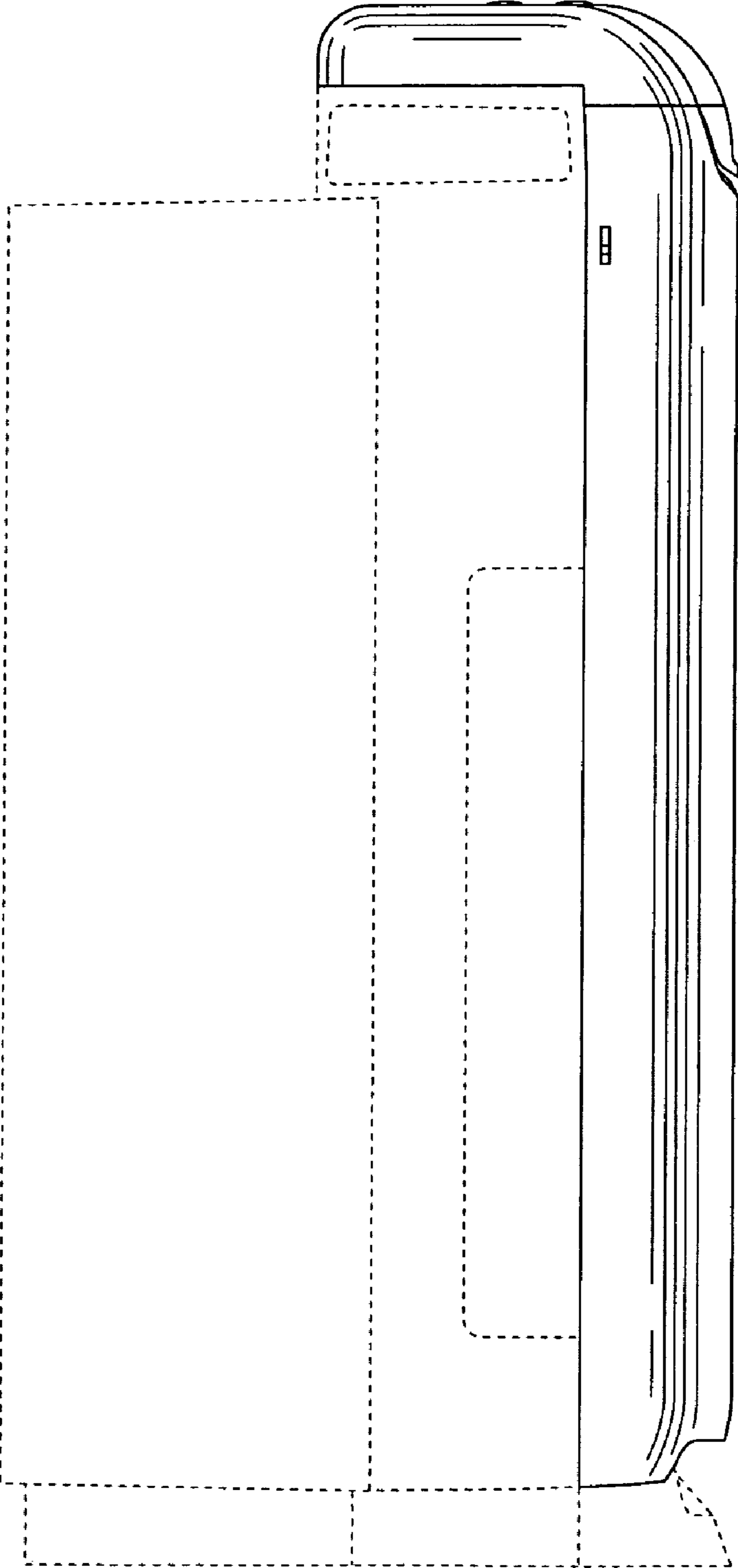


FIG.7

