



US00D608432S

(12) **United States Design Patent**  
**Aruga et al.**

(10) **Patent No.:** **US D608,432 S**  
(45) **Date of Patent:** **\*\* Jan. 19, 2010**

(54) **AIR-DISCHARGE OPENING FOR AIR-CONDITIONERS**  
(75) Inventors: **Hiroyasu Aruga**, Aichi-Ken (JP);  
**Takafumi Nakatani**, Aichi-Ken (JP);  
**Eisuke Noda**, Aichi-Ken (JP); **Zenji Hayakawa**, Aichi-Ken (JP)  
(73) Assignee: **Mitsubishi Heavy Industries, Ltd.**,  
Tokyo (JP)

(\*\*) Term: **14 Years**  
(21) Appl. No.: **29/290,486**

(22) Filed: **Dec. 10, 2007**

(30) **Foreign Application Priority Data**  
Jun. 11, 2007 (JP) ..... 2007-015439

(51) **LOC (9) Cl.** ..... **23-04**  
(52) **U.S. Cl.** ..... **D23/358**  
(58) **Field of Classification Search** ..... D23/314,  
D23/322, 324-325, 327, 341, 351-352, 354;  
D12/192, 196, 400, 415; 454/155, 237, 271,  
454/275-283, 309-320; 16/110.1  
See application file for complete search history.

(56) **References Cited**  
U.S. PATENT DOCUMENTS

D308,570 S \* 6/1990 Twito ..... D23/354  
D370,723 S \* 6/1996 Nishizawa ..... D23/387

D485,894 S \* 1/2004 Fraser et al. .... D23/327  
D508,122 S \* 8/2005 Murphy ..... D23/387  
D535,732 S \* 1/2007 Klopp, III ..... D23/327  
D542,898 S \* 5/2007 Juraschek ..... D23/327

\* cited by examiner

*Primary Examiner*—Brian N Vinson  
(74) *Attorney, Agent, or Firm*—Birch, Stewart, Kolasch & Birch LLP

(57) **CLAIM**

The ornamental design for an air-discharge opening for air-conditioners, as shown and described.

**DESCRIPTION**

FIG. 1 is a front view of an air-discharge opening for air-conditioners showing our new design;  
FIG. 2 is a rear view thereof;  
FIG. 3 is a right side view thereof;  
FIG. 4 is a left side view thereof;  
FIG. 5 is a top (plan) view thereof;  
FIG. 6 is a bottom view thereof;  
FIG. 7 is a perspective view thereof;  
FIG. 8 is an additional perspective thereof;  
FIG. 9 is a perspective thereof in a closed position; and,  
FIG. 10 is an additional perspective thereof in a closed position.

**1 Claim, 10 Drawing Sheets**

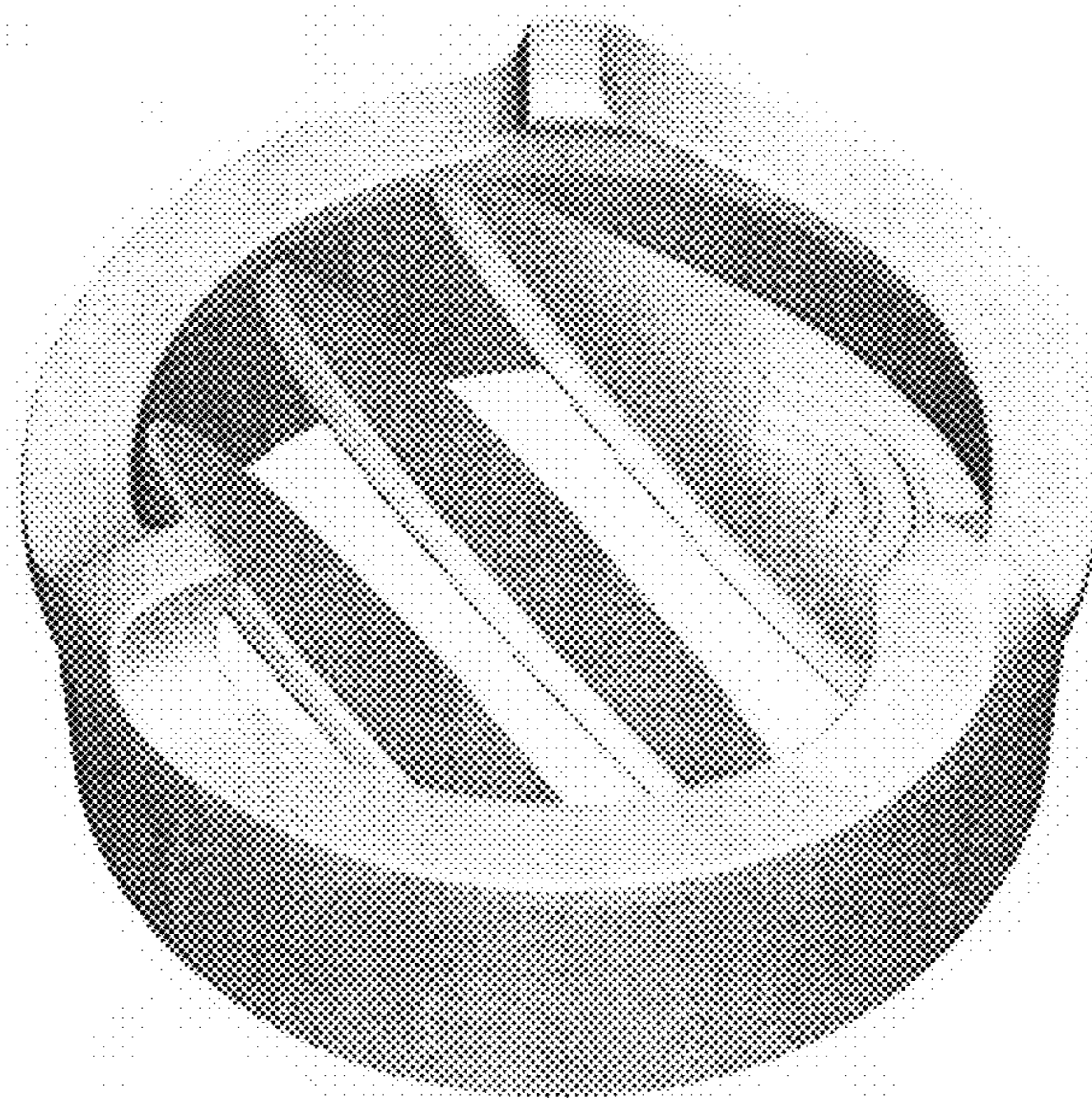




FIG. 1

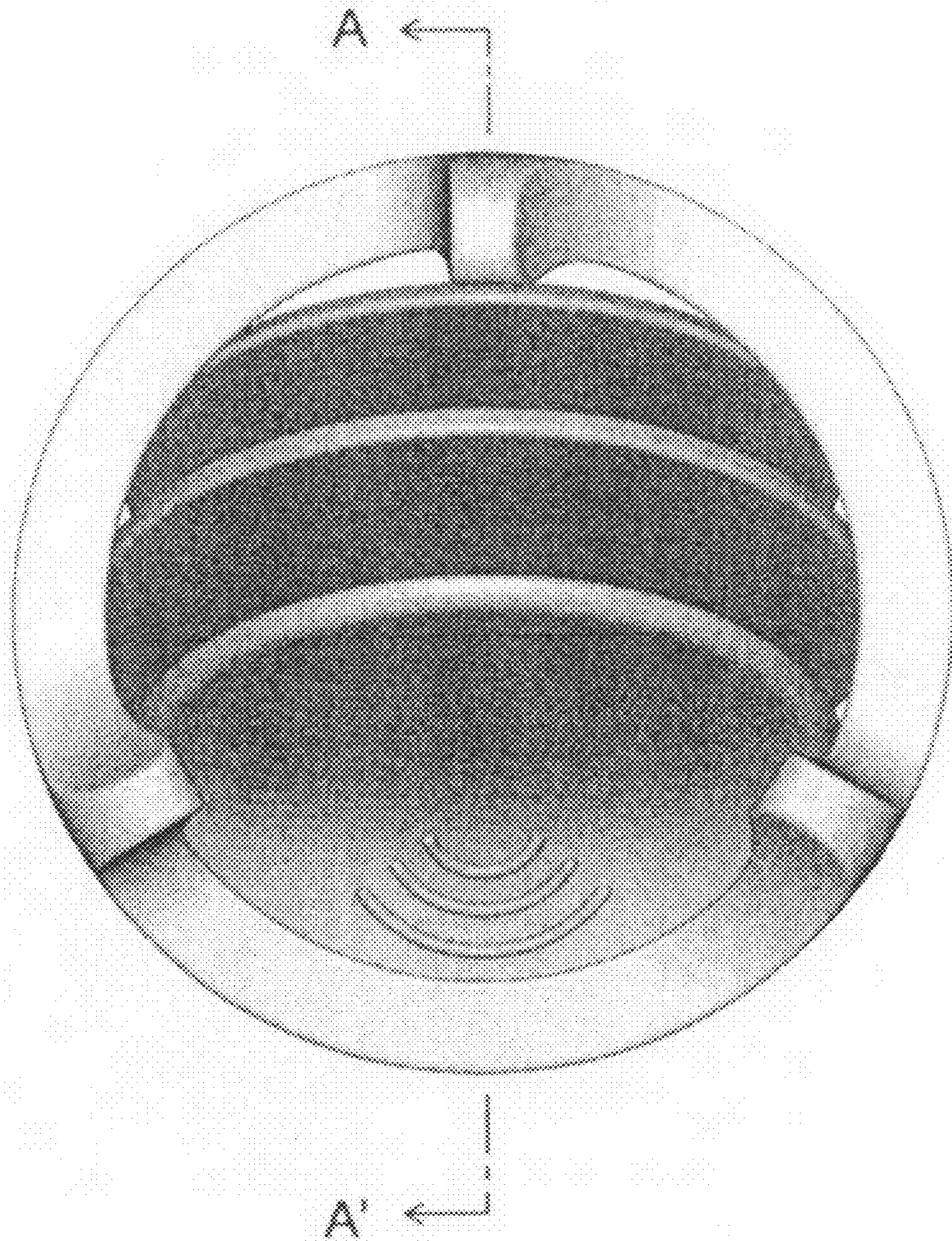




FIG.2

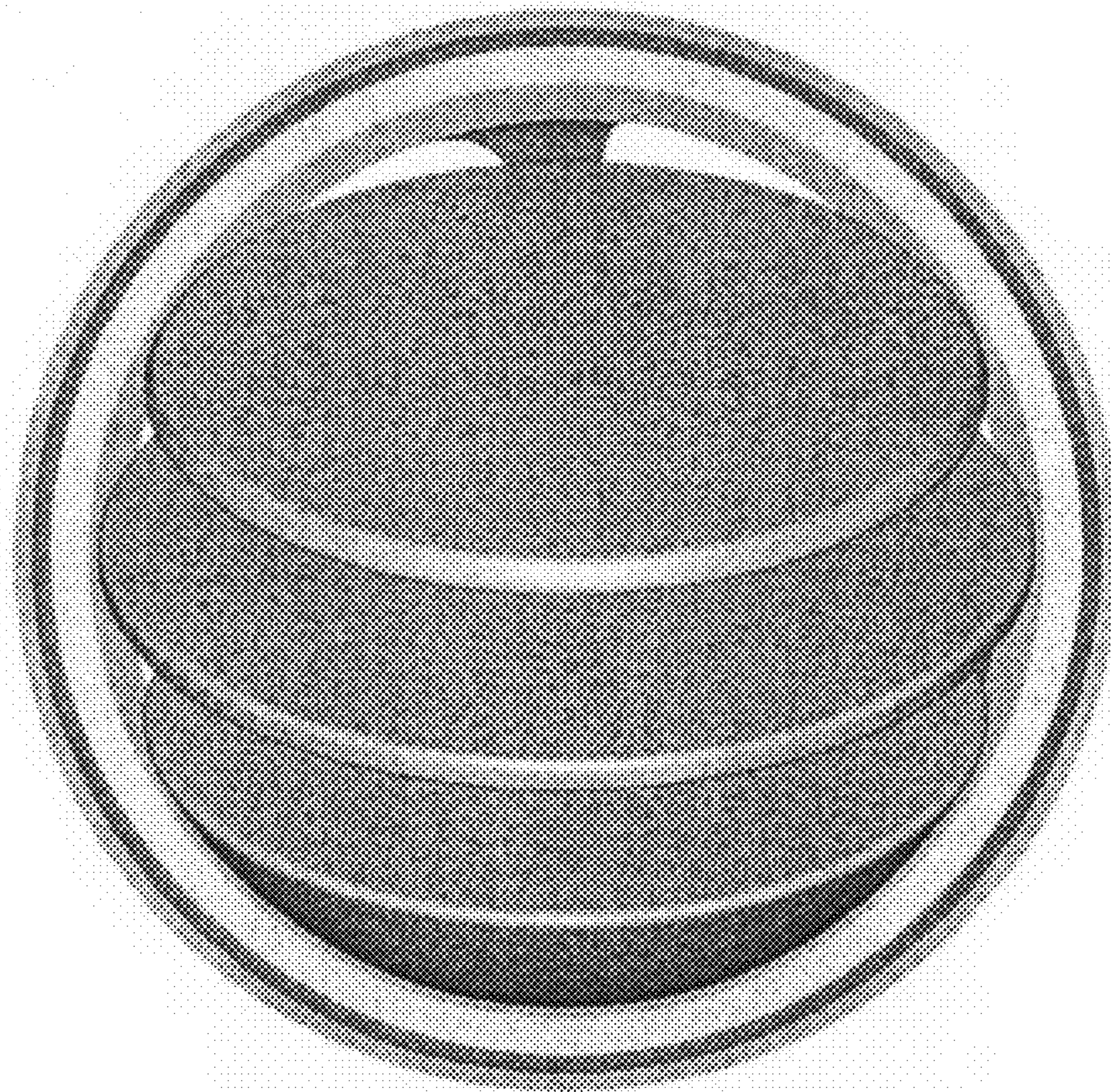




FIG. 3

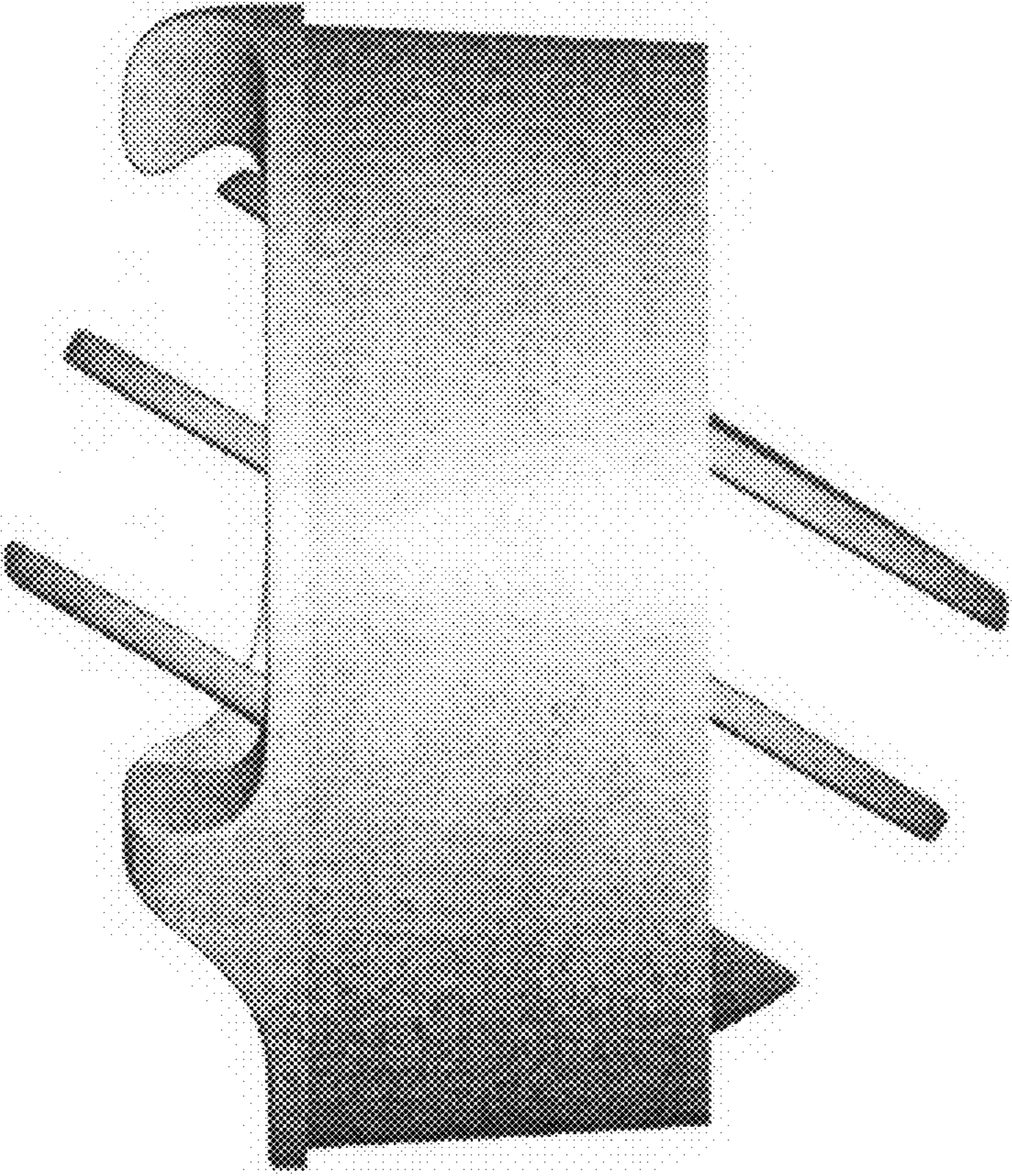


FIG. 4

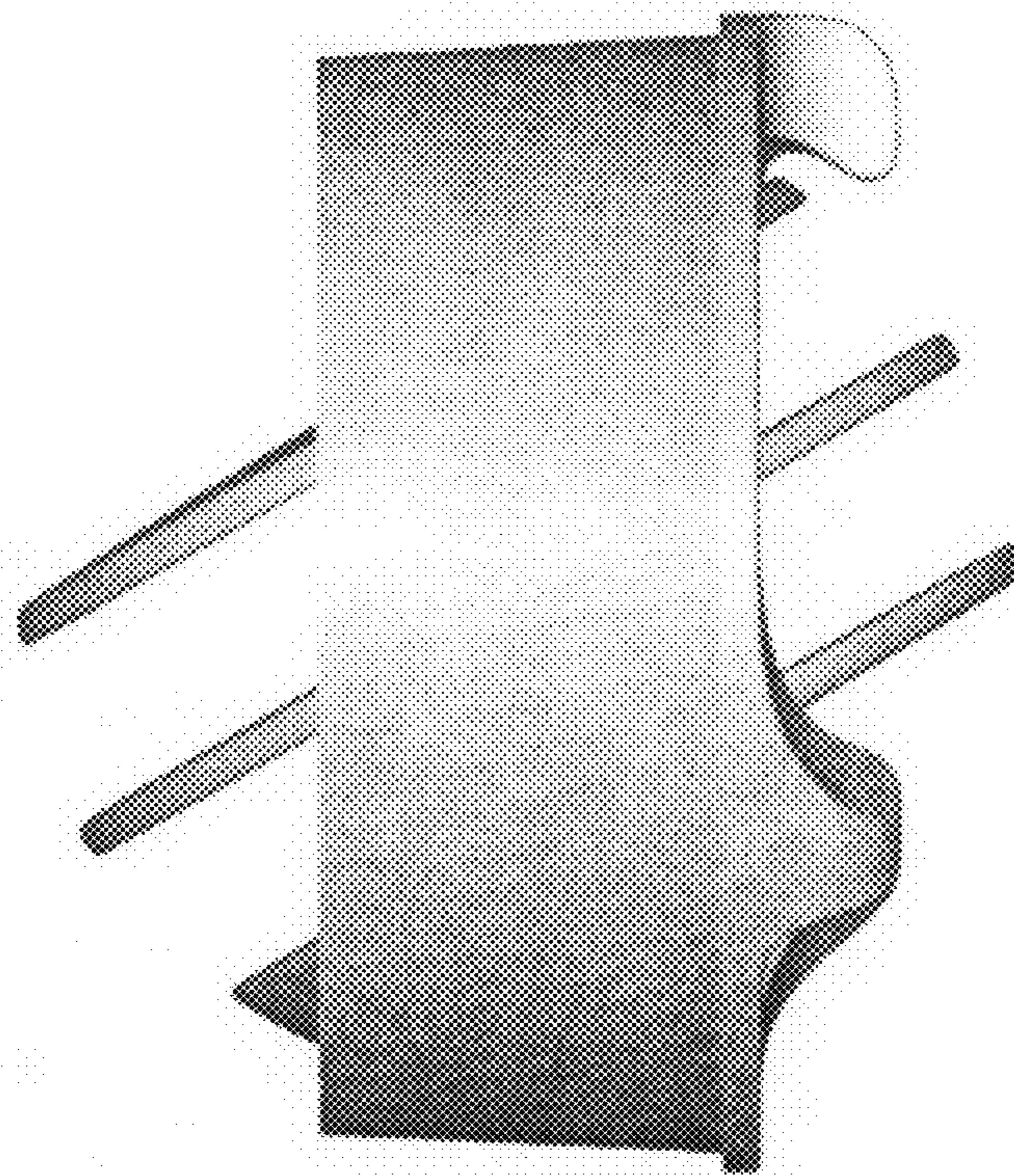




FIG. 5

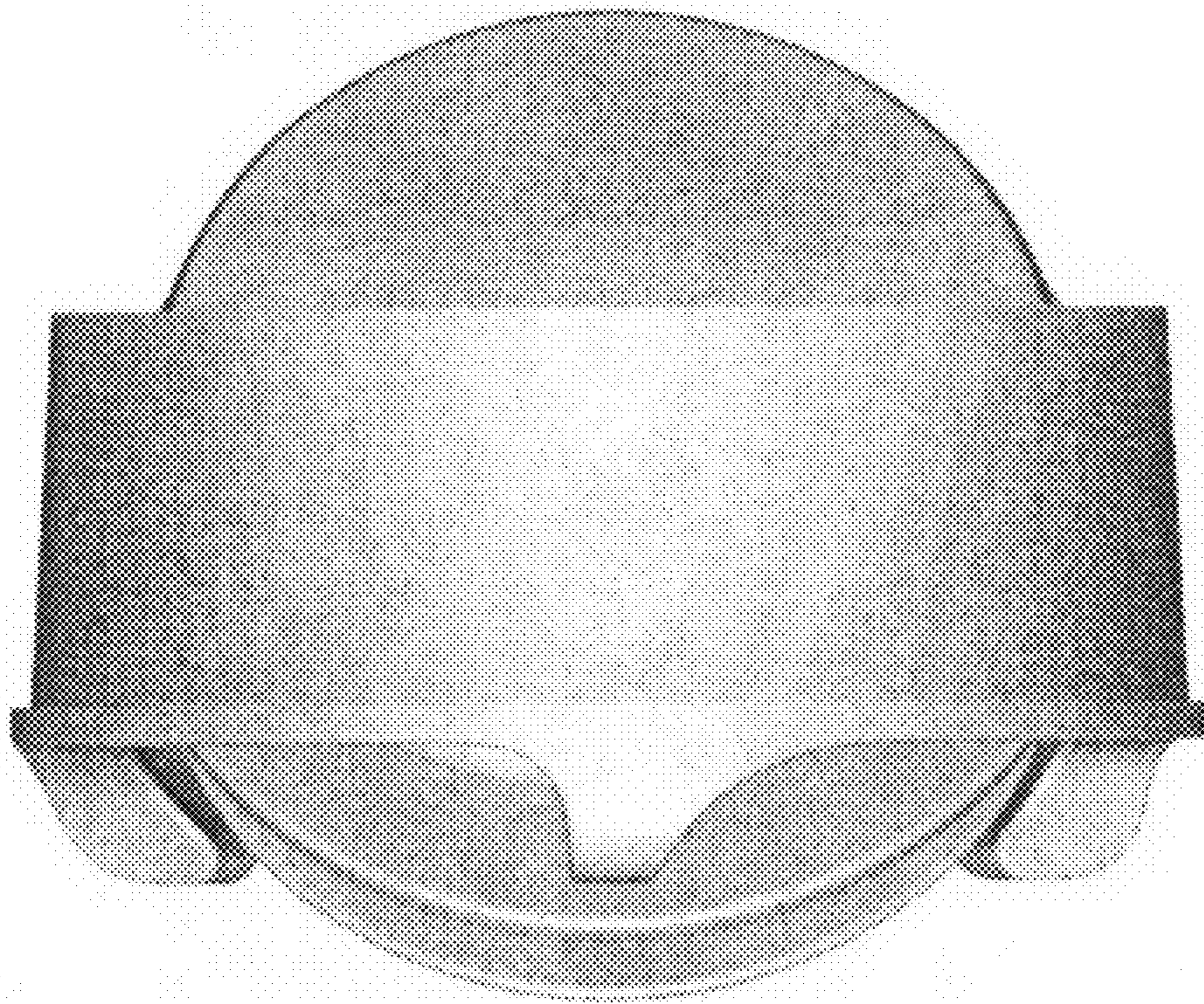


FIG. 6

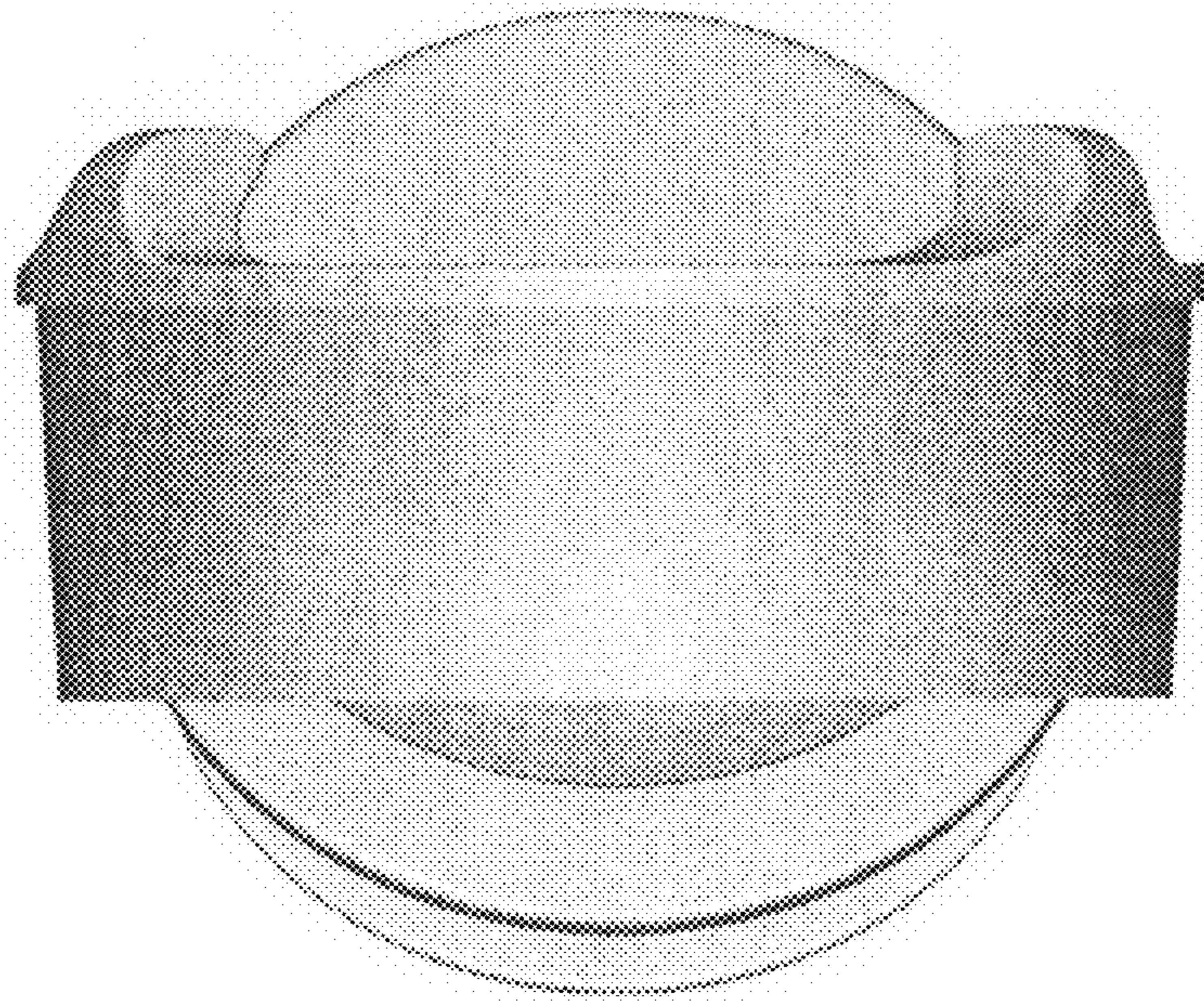




FIG. 7

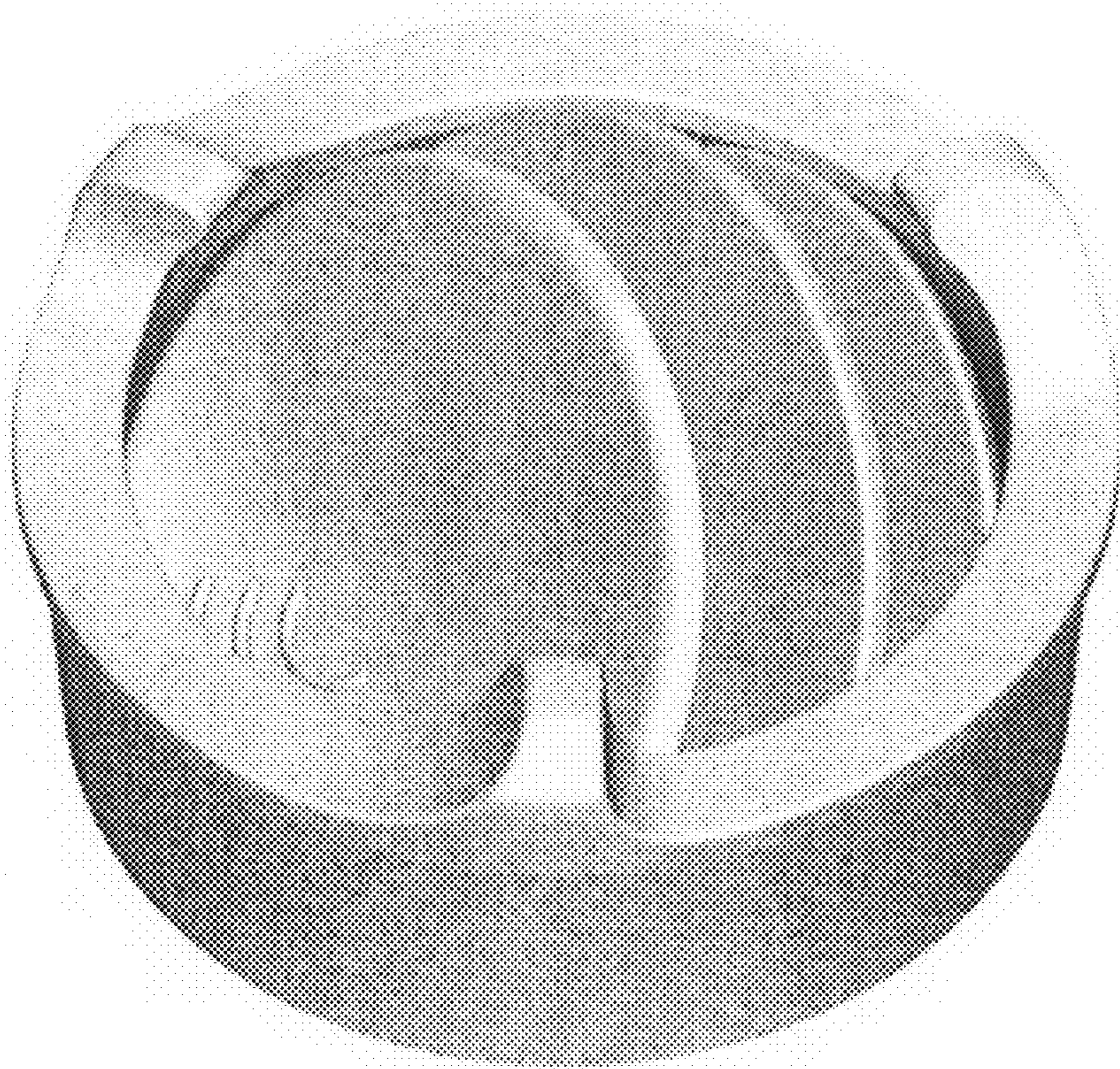




FIG. 8

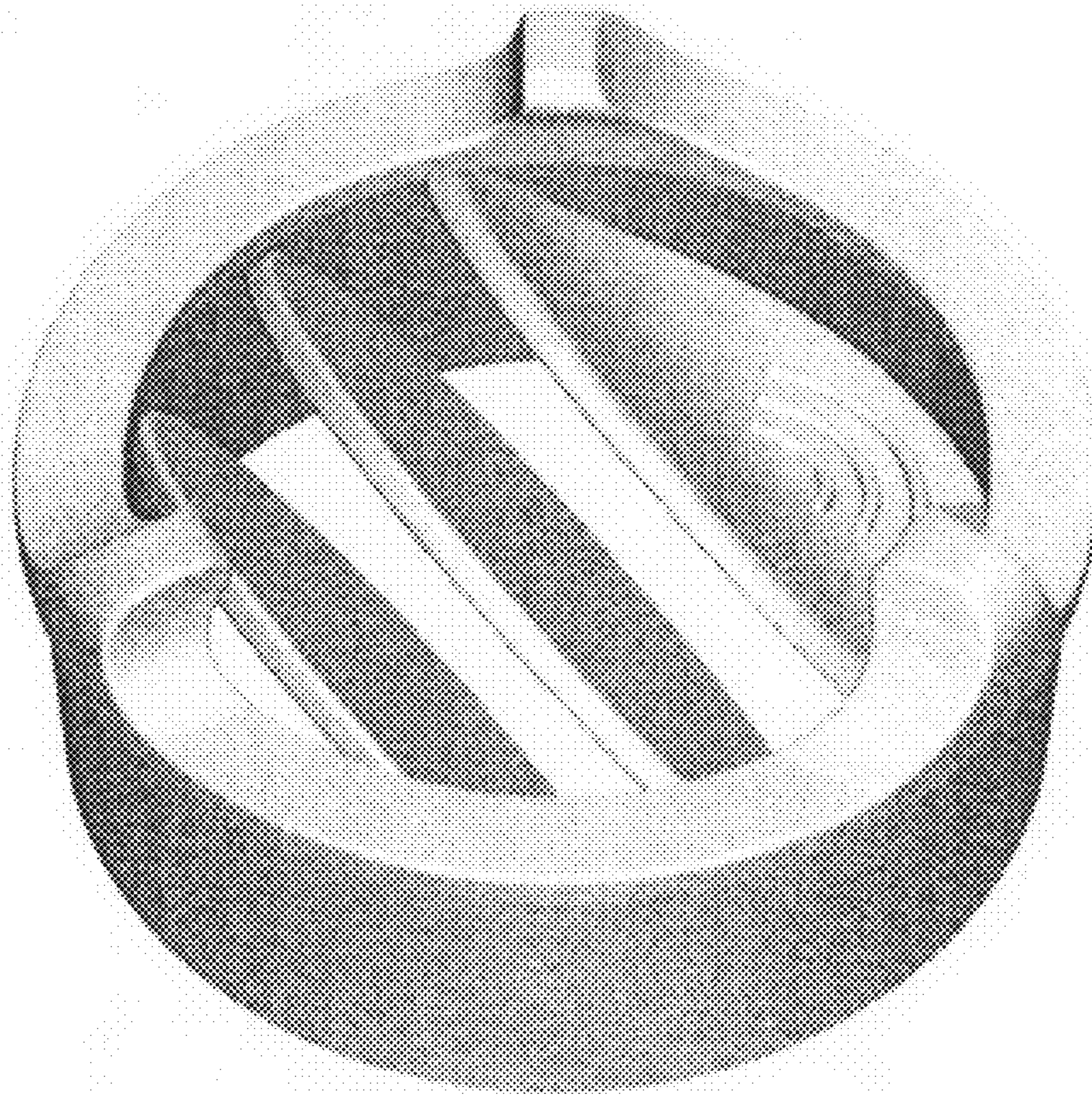




FIG. 9

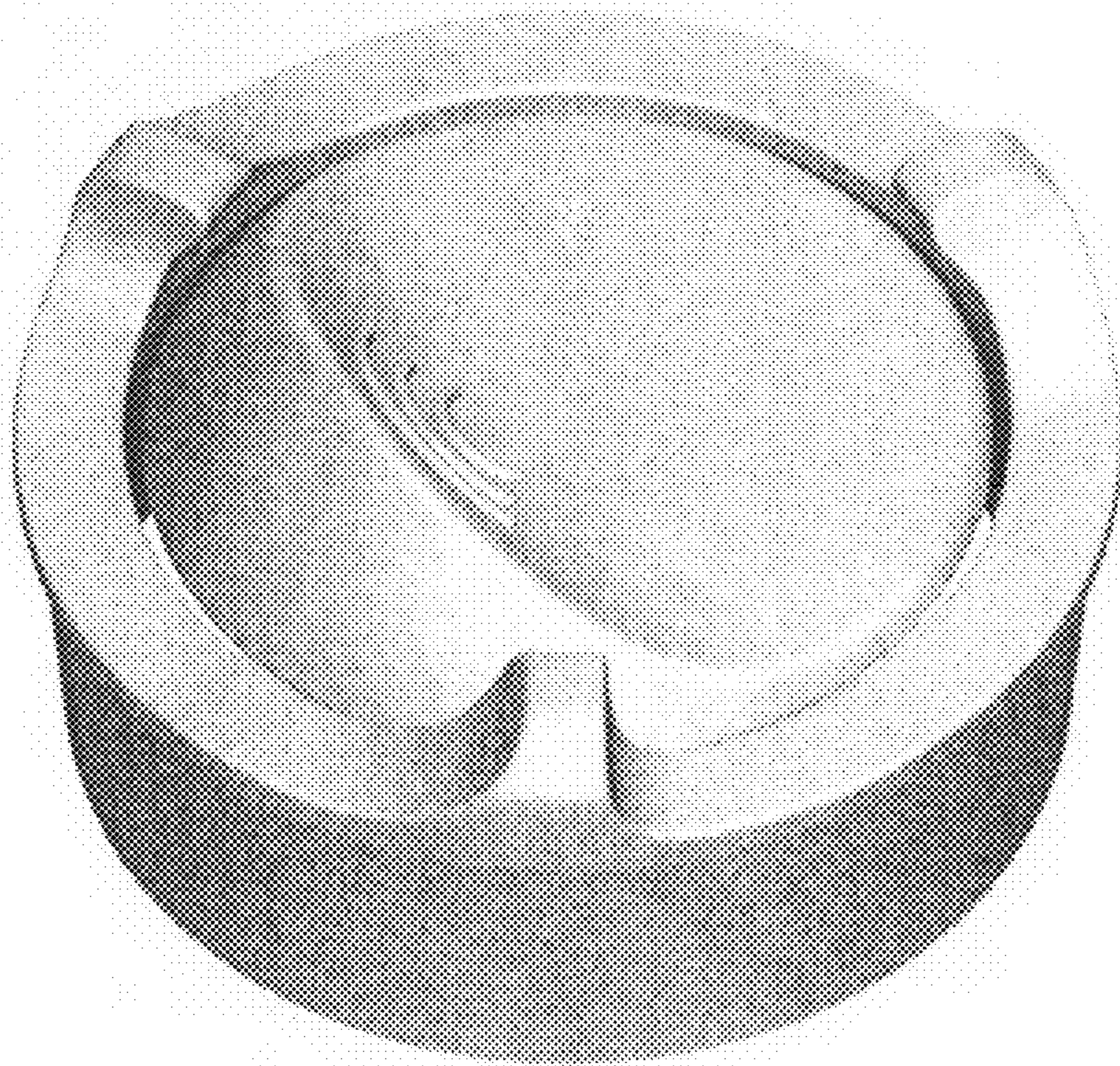




FIG. 10

