



US00D608427S

(12) **United States Design Patent**
Sanchez et al.

(10) **Patent No.:** **US D608,427 S**
(45) **Date of Patent:** **** Jan. 19, 2010**

(54) **TOILET APPARATUS**

(76) Inventors: **Alfredo Sanchez**, 621 Maitland Dr.,
Bakersfield, CA (US) 93304; **Hector M. Robles**, 5824 Stacey St., Bakersfield, CA
(US) 93313

(**) Term: **14 Years**

(21) Appl. No.: **29/332,869**

(22) Filed: **Feb. 26, 2009**

(51) **LOC (9) Cl.** **23-02**

(52) **U.S. Cl.** **D23/301**

(58) **Field of Classification Search** D23/273-274,
D23/295-301, 309; 4/663-664, 300, 329,
4/353, 420, 443, 449, 902

See application file for complete search history.

(56) **References Cited**

U.S. PATENT DOCUMENTS

2,099,118 A	11/1937	Kennedy
3,520,005 A	7/1970	Downes
3,786,522 A	1/1974	Kira et al.
4,175,294 A	11/1979	Boyd
4,233,696 A	11/1980	Ibel

4,254,514 A	3/1981	Sakamoto	
5,412,815 A	5/1995	Ellis	
D390,931 S	2/1998	Jackson	
6,085,365 A	7/2000	Chiang	
D486,209 S *	2/2004	Garza	D23/301
D501,916 S *	2/2005	Kakihana	D23/301
6,857,138 B2	2/2005	Moser et al.	
D521,617 S *	5/2006	Hou	D23/301

* cited by examiner

Primary Examiner—Robert A Delehanty

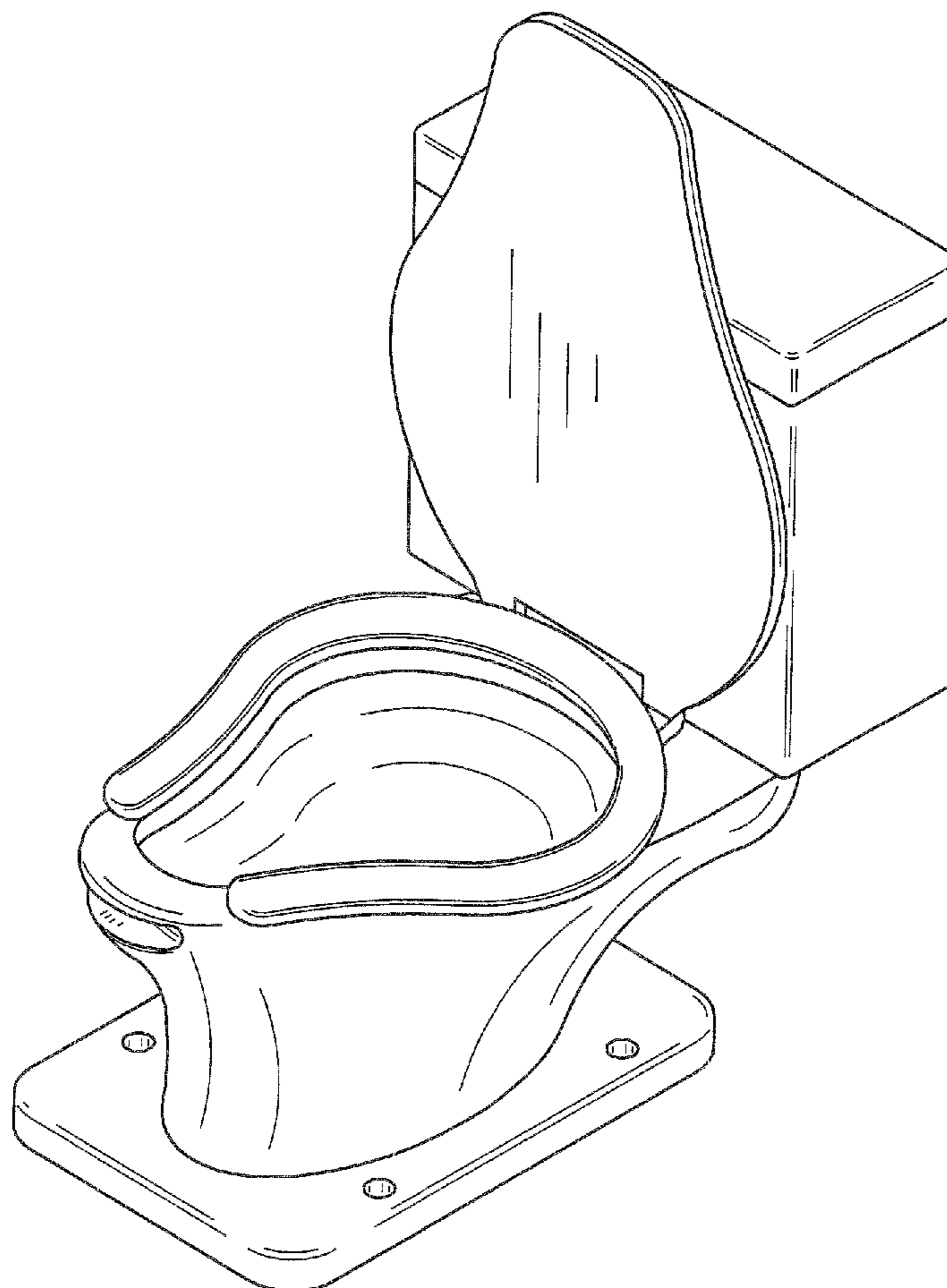
(57) **CLAIM**

The ornamental design for a toilet apparatus, as shown.

DESCRIPTION

FIG. 1 is a perspective view of a toilet apparatus;
FIG. 2 is a side view thereof;
FIG. 3 is a back view thereof;
FIG. 4 is a front view thereof;
FIG. 5 is a top view thereof; and,
FIG. 6 is a bottom view thereof.

1 Claim, 4 Drawing Sheets



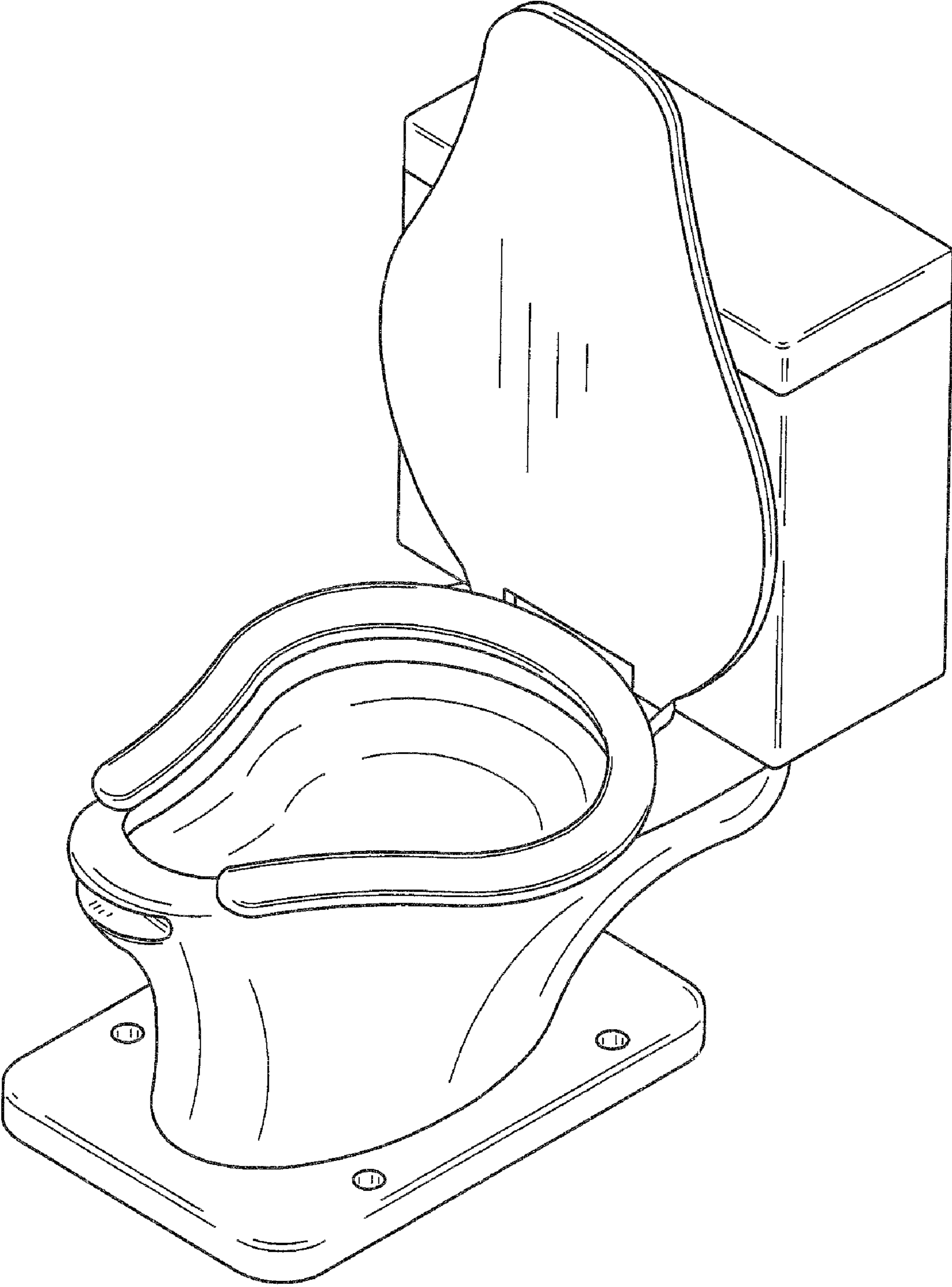


FIG. 1

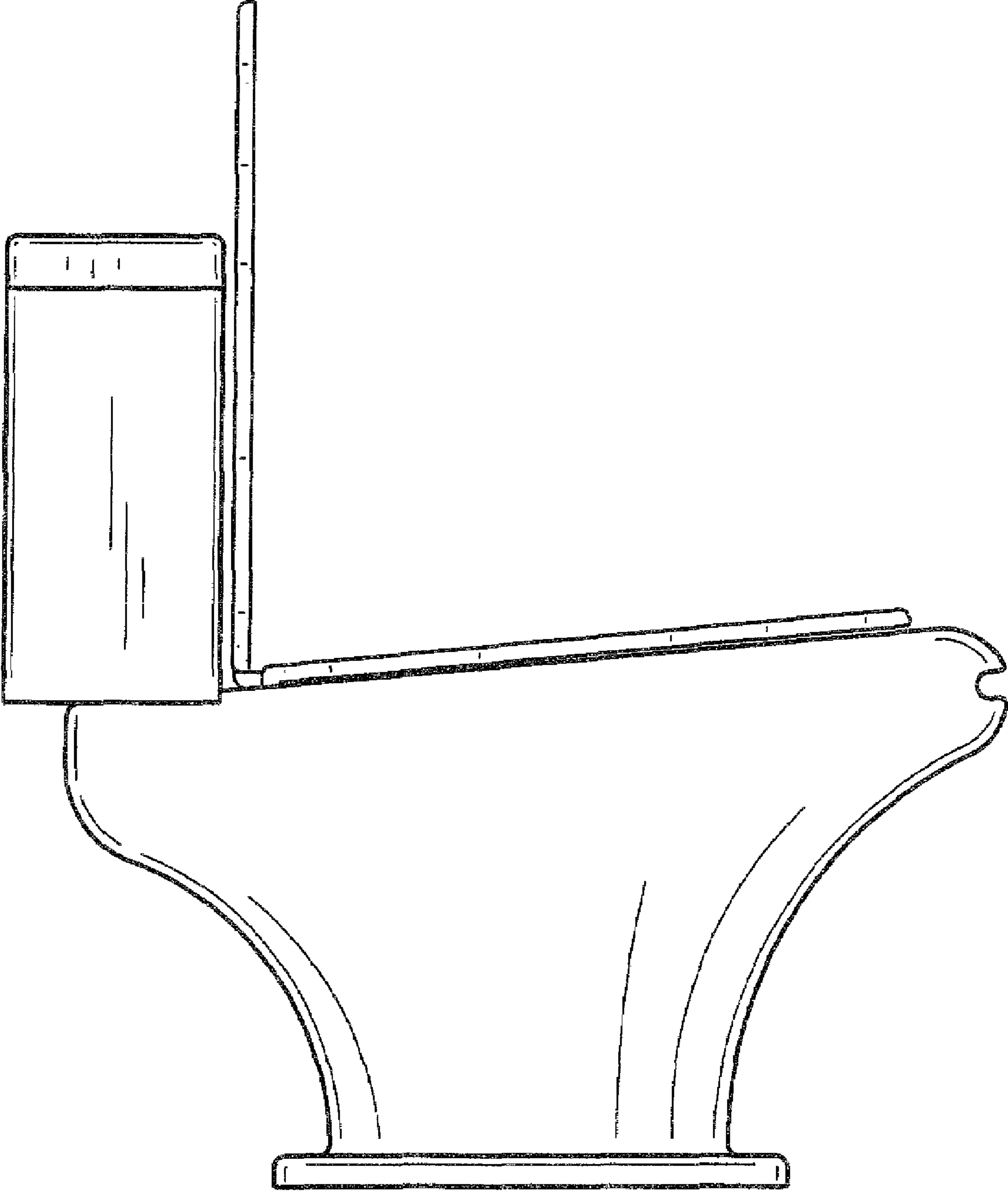


FIG. 2

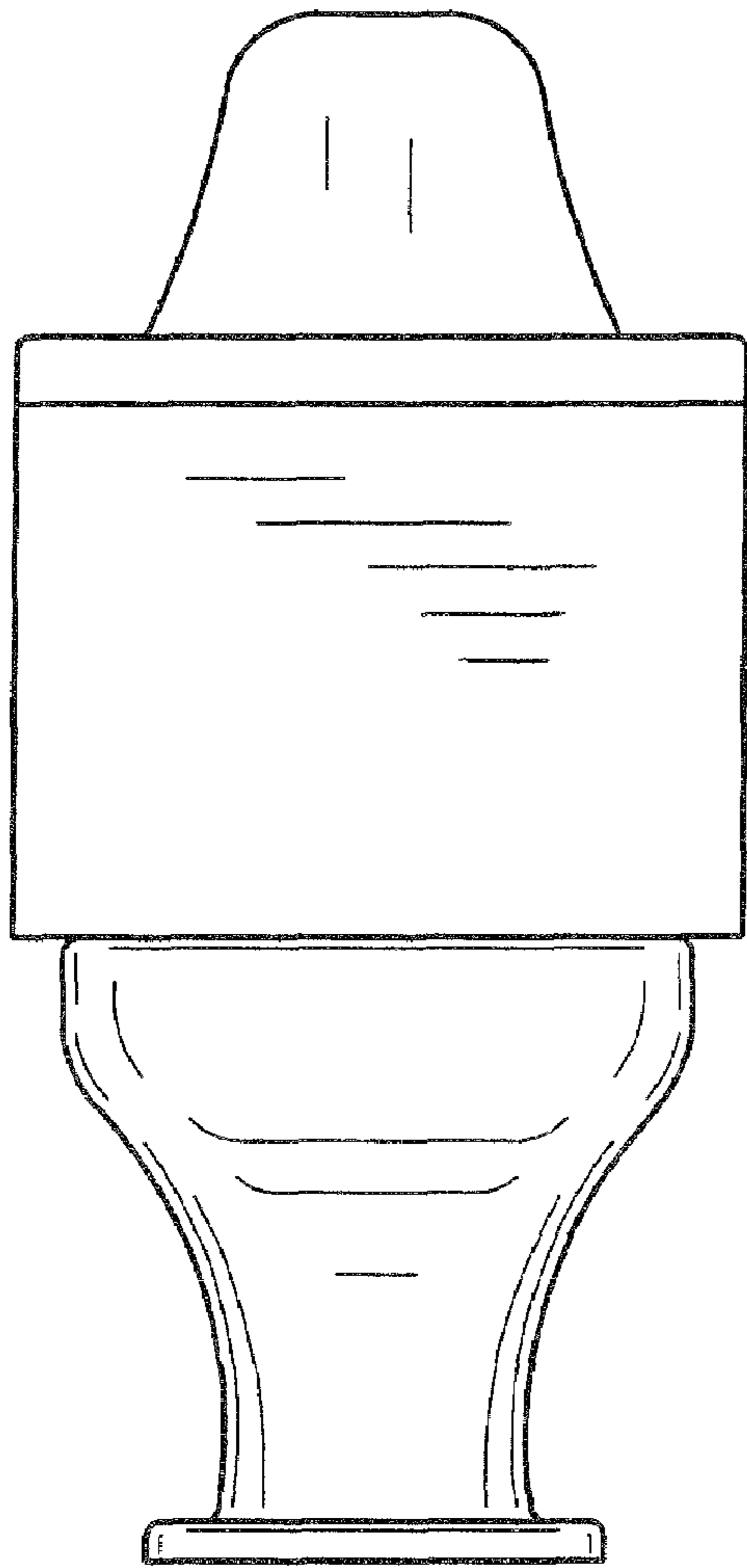


FIG. 3

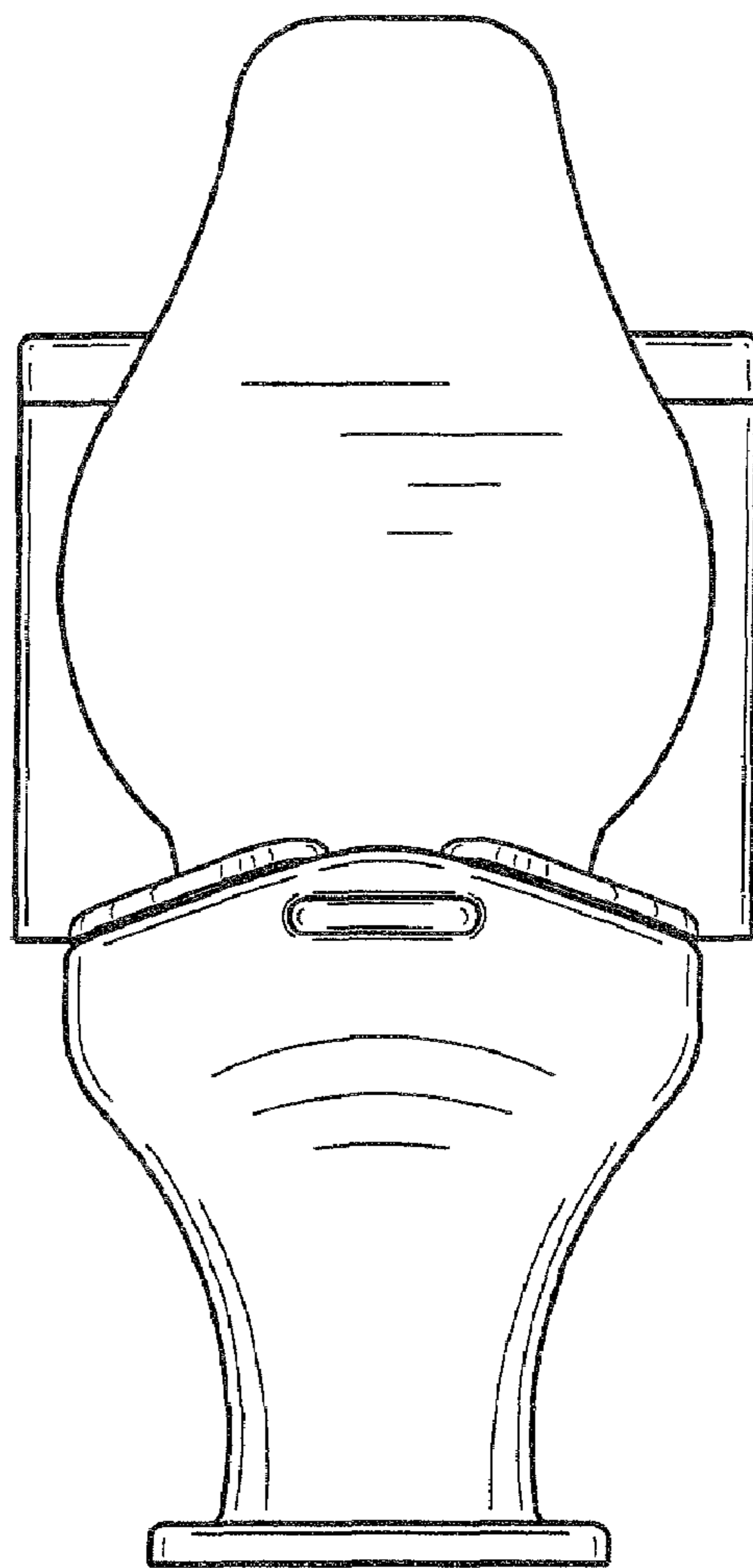


FIG. 4

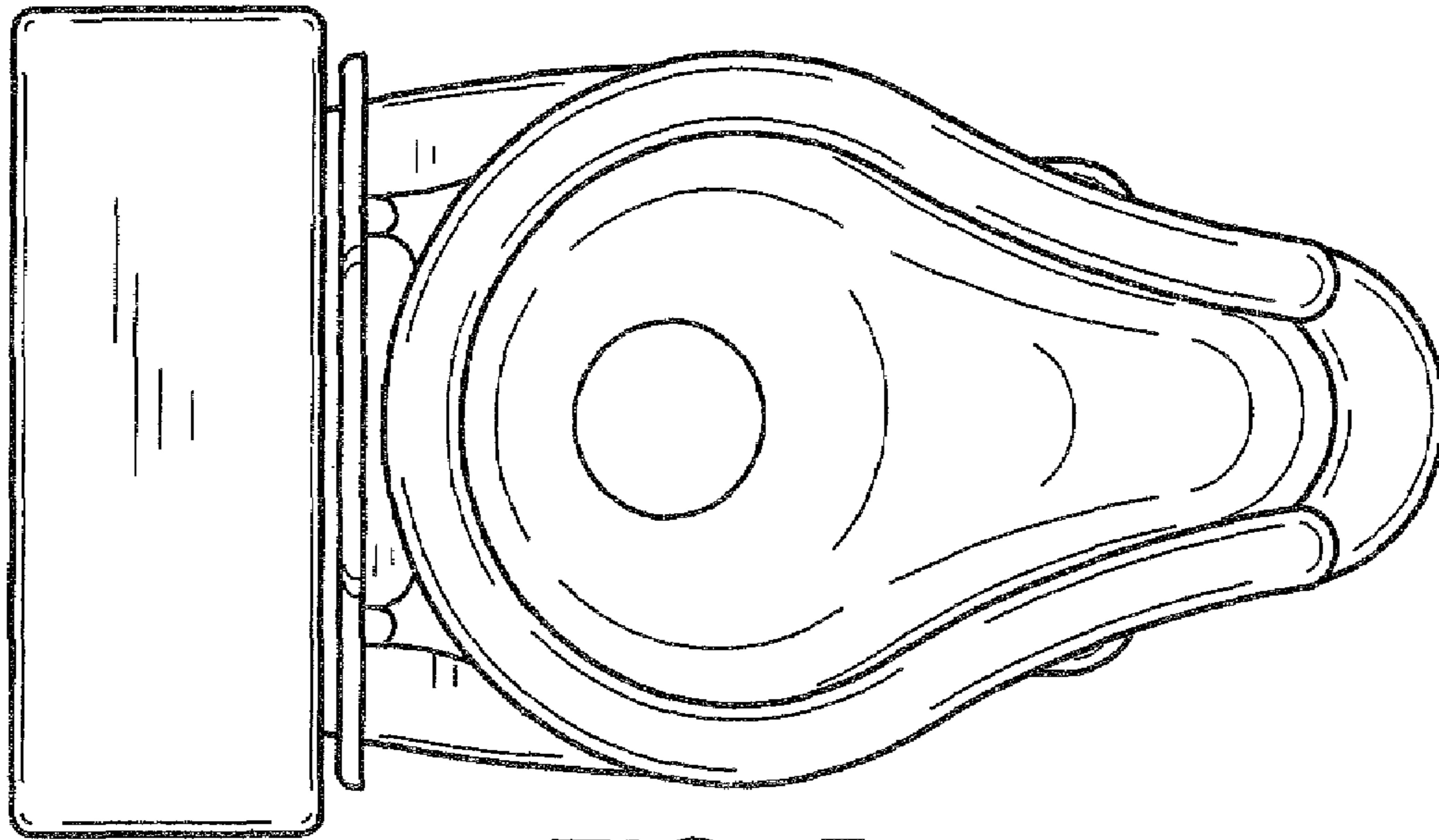


FIG. 5

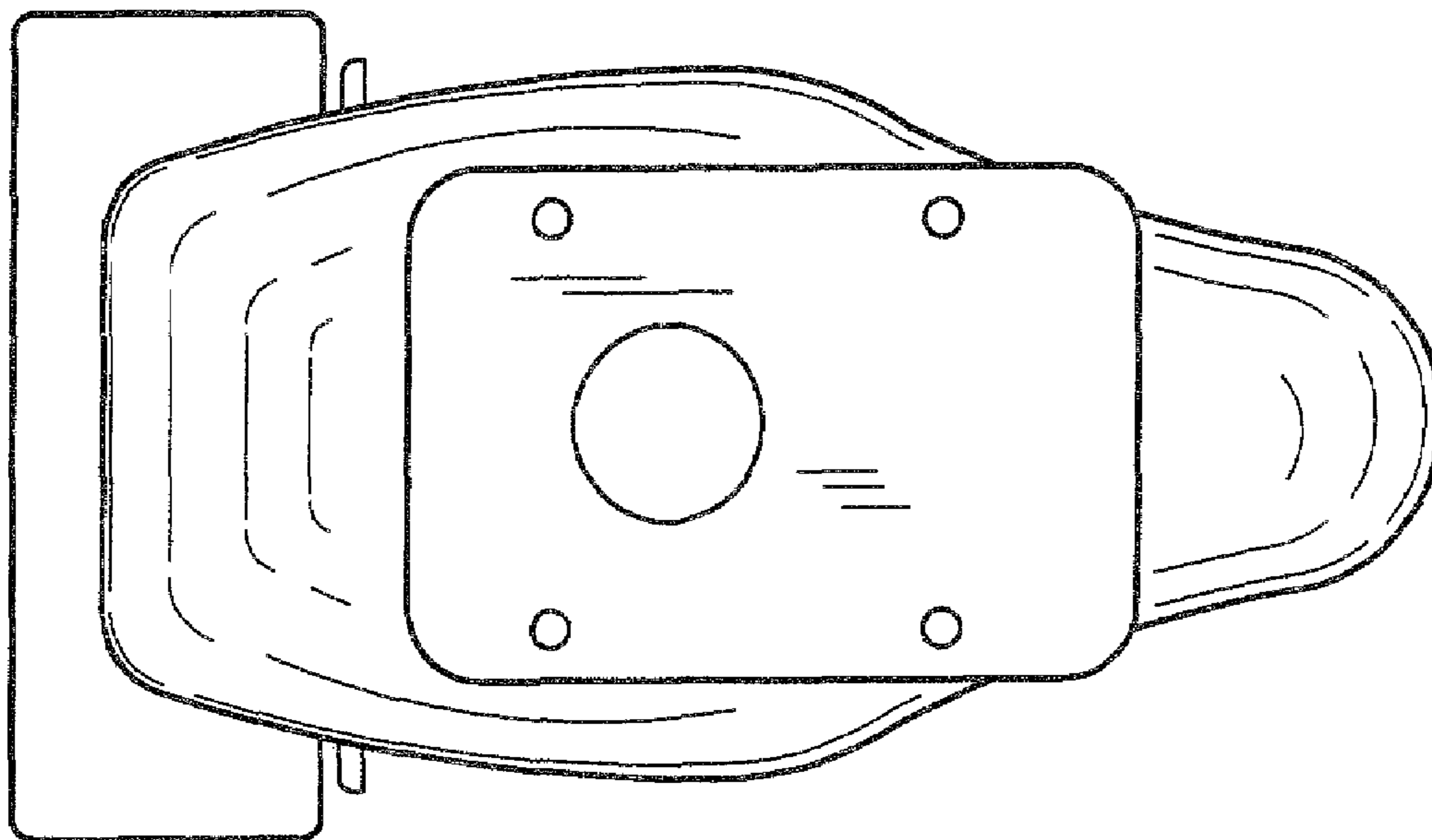


FIG. 6