



US00D608424S

(12) **United States Design Patent**  
**Katsuta et al.**

(10) **Patent No.:** **US D608,424 S**  
(45) **Date of Patent:** **\*\* Jan. 19, 2010**

(54) **SOCKET FOR PIPE JOINT**

D457,604 S \* 5/2002 Chen ..... D23/262  
D463,537 S \* 9/2002 Kozu et al. .... D23/262

(75) Inventors: **Koji Katsuta**, Tsukubamirai (JP);  
**Masayuki Okitsu**, Tsukubamirai (JP)

\* cited by examiner

(73) Assignee: **SMC Corporation**, Chiyoda-ku, Tokyo  
(JP)

*Primary Examiner*—T. Chase Nelson  
*Assistant Examiner*—Eric L Goodman  
(74) *Attorney, Agent, or Firm*—Yokoi & Co., U.S.A., Inc.;  
Peter Ganjian

(\*\*) Term: **14 Years**

(21) Appl. No.: **29/310,823**

(57) **CLAIM**

(22) Filed: **Sep. 11, 2008**

The ornamental design for a socket for pipe joint, as shown and described.

(30) **Foreign Application Priority Data**

Apr. 2, 2008 (JP) ..... 2008-008513

**DESCRIPTION**

(51) **LOC (9) Cl.** ..... **23-01**

FIG. 1 shows a front view of a socket for pipe joint showing my new design;

(52) **U.S. Cl.** ..... **D23/266**

FIG. 2 shows a rear view thereof;

(58) **Field of Classification Search** ..... D23/259-269;  
285/83, 275, 277; 137/614.04, 149.6

FIG. 3 shows a right side view thereof;

See application file for complete search history.

FIG. 4 shows a left side view thereof;

(56) **References Cited**

FIG. 5 shows a top view thereof;

**U.S. PATENT DOCUMENTS**

FIG. 6 shows a bottom view thereof; and,

D119,175 S \* 2/1940 Shaw ..... D23/235  
2,521,701 A \* 9/1950 Earle et al. .... 285/277  
3,032,359 A \* 5/1962 Cator ..... 285/277  
5,172,943 A \* 12/1992 Shimada ..... 285/323  
D412,738 S \* 8/1999 Kuwabara ..... D23/233  
D435,635 S \* 12/2000 Taneya ..... D23/233  
D442,267 S \* 5/2001 Kouda ..... D23/262

FIG. 7 shows a top, front and left side perspective view thereof.

The portions of the design shown in broken lines in FIGS. 3 and 4 are for the purpose of illustrating the environment only and form no part of the claimed design.

**1 Claim, 4 Drawing Sheets**

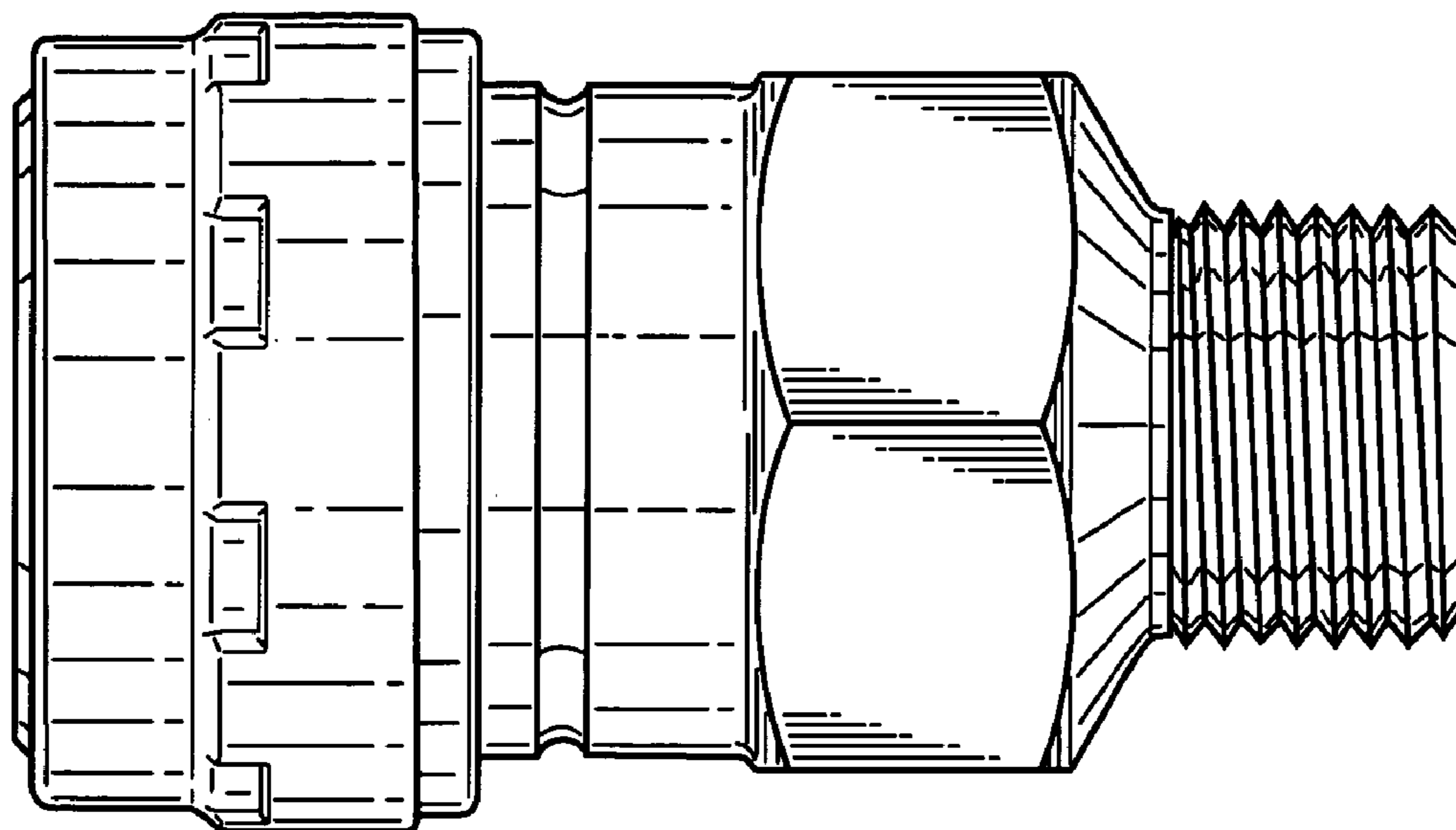


FIG. 1

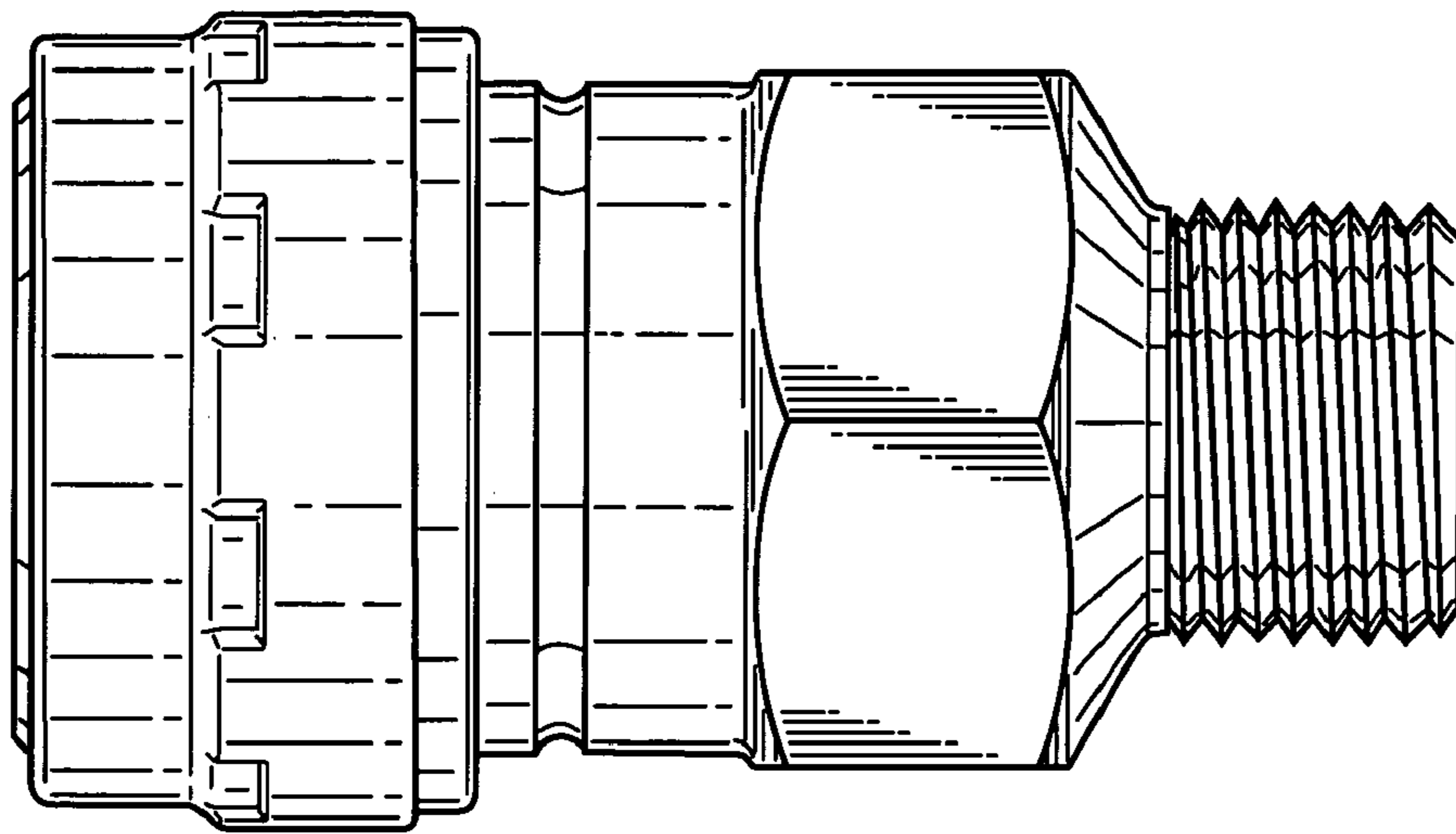


FIG. 2

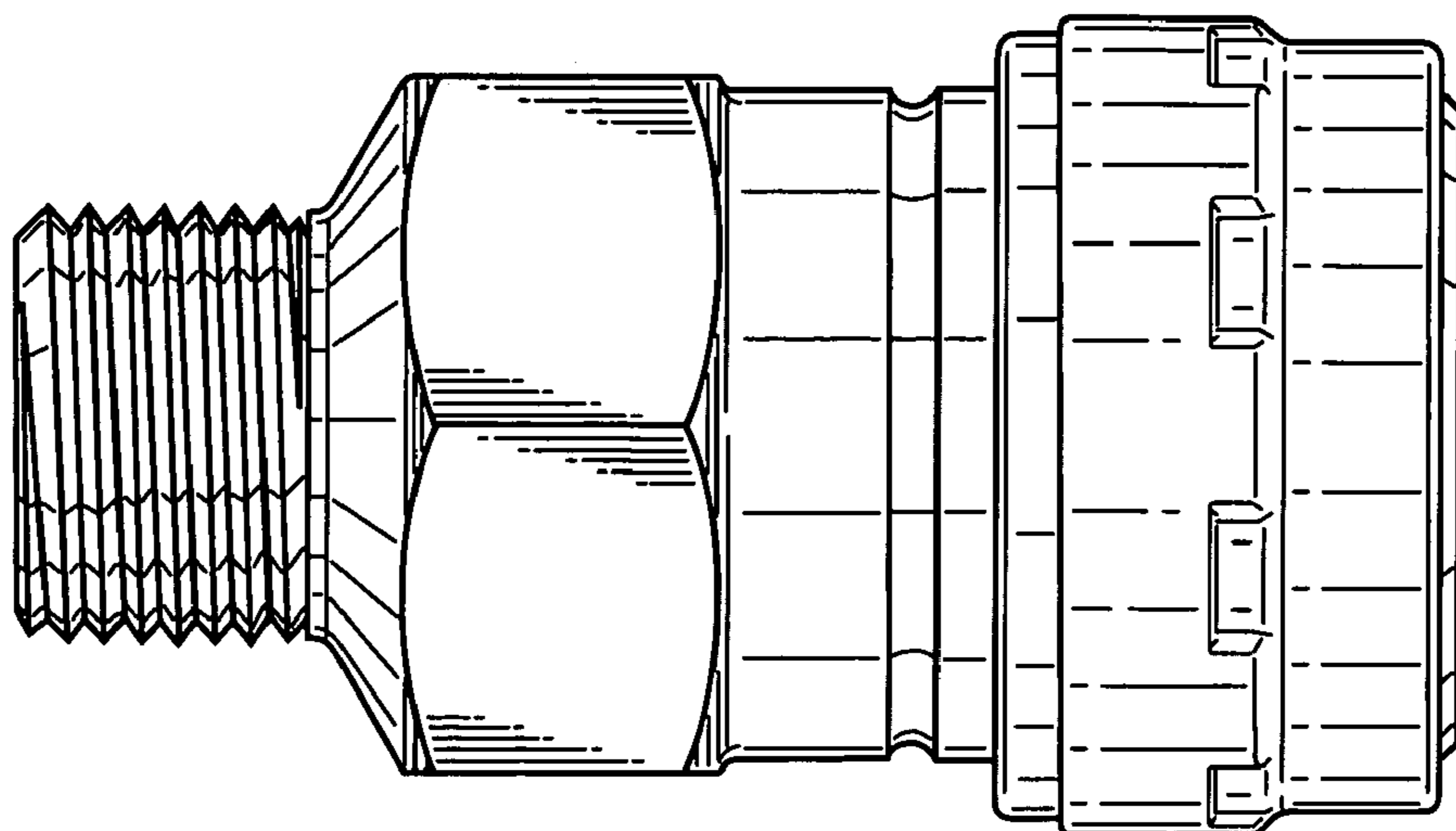


FIG. 3

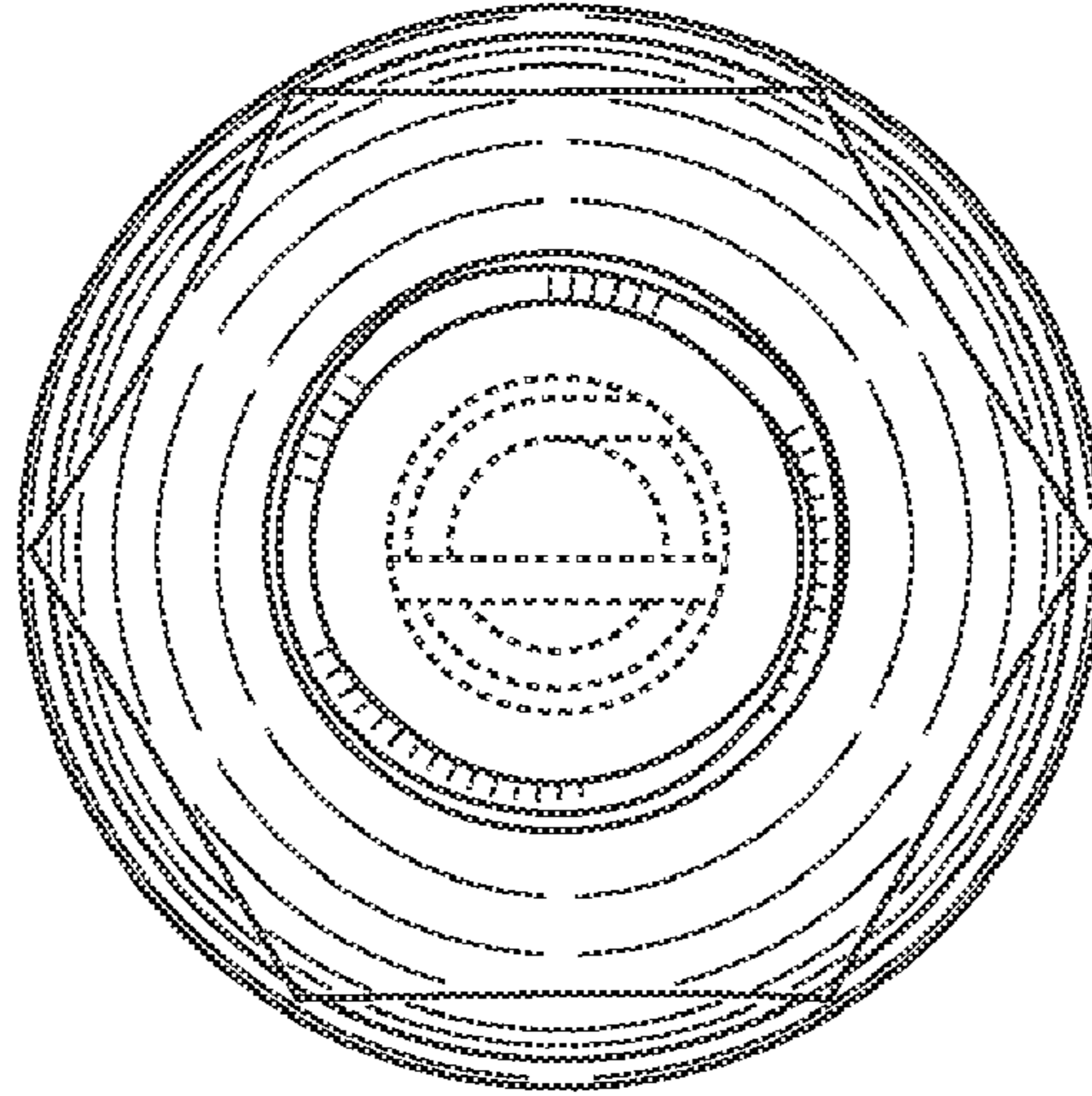


FIG. 4

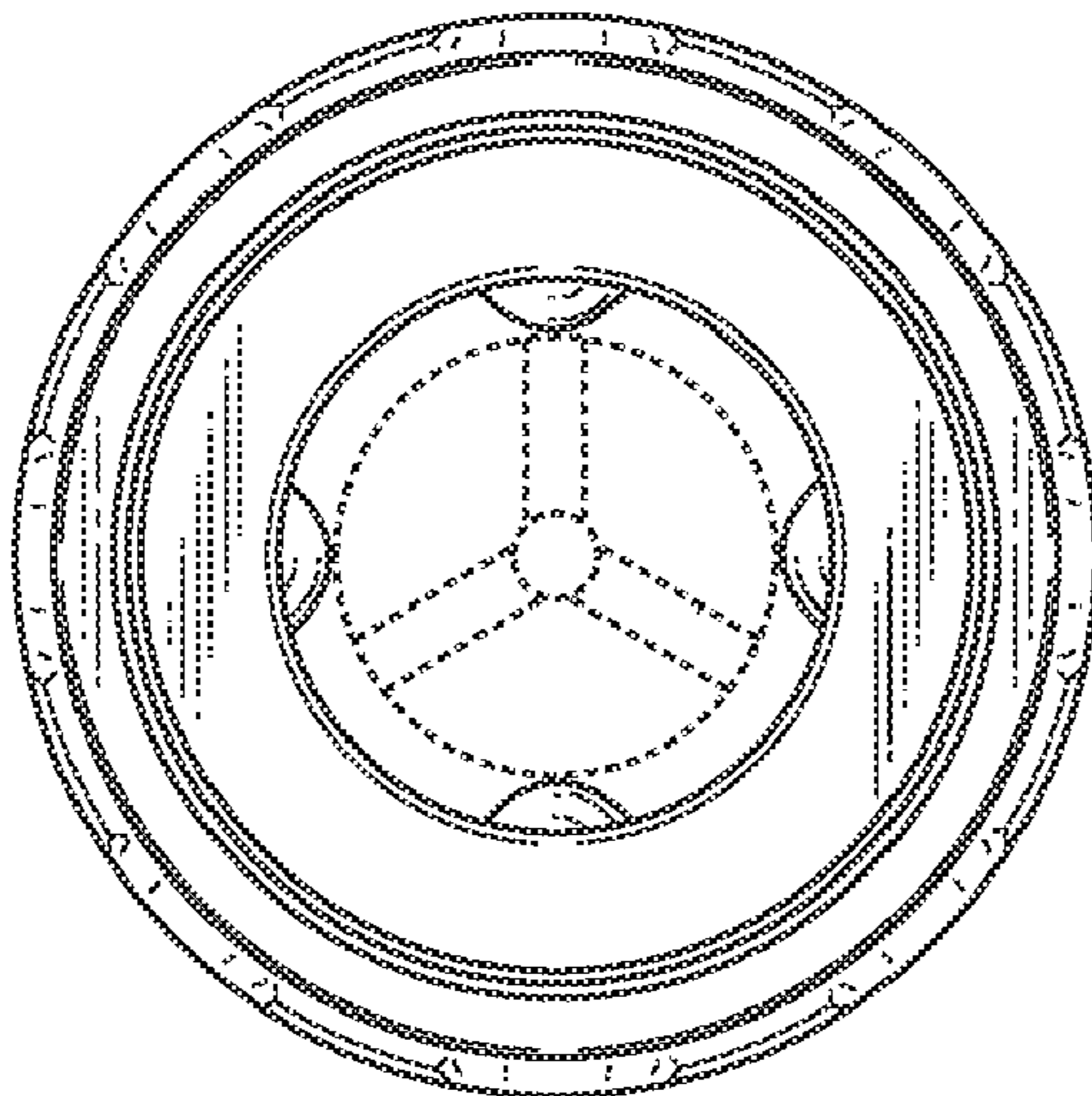


FIG. 5

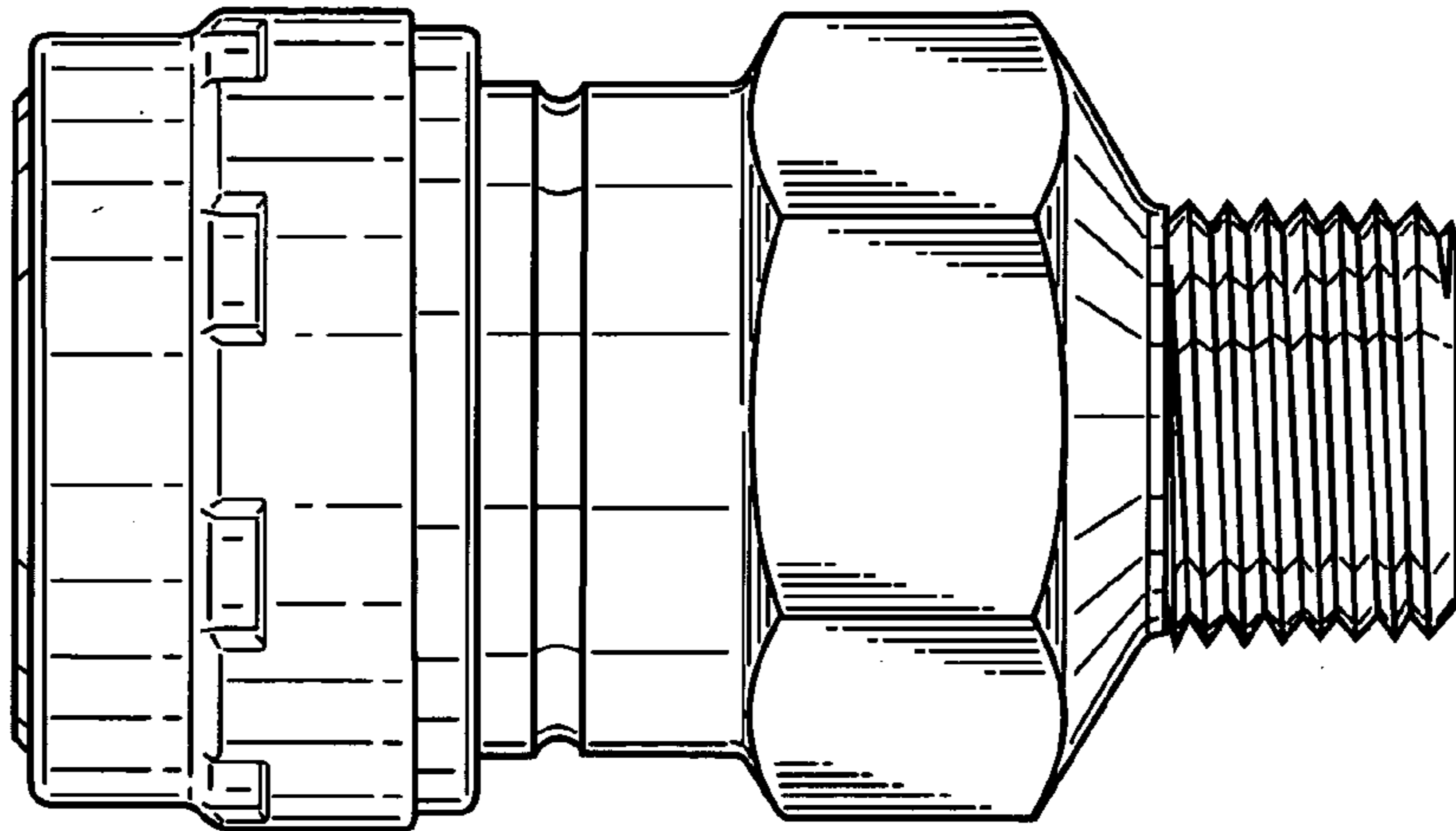


FIG. 6

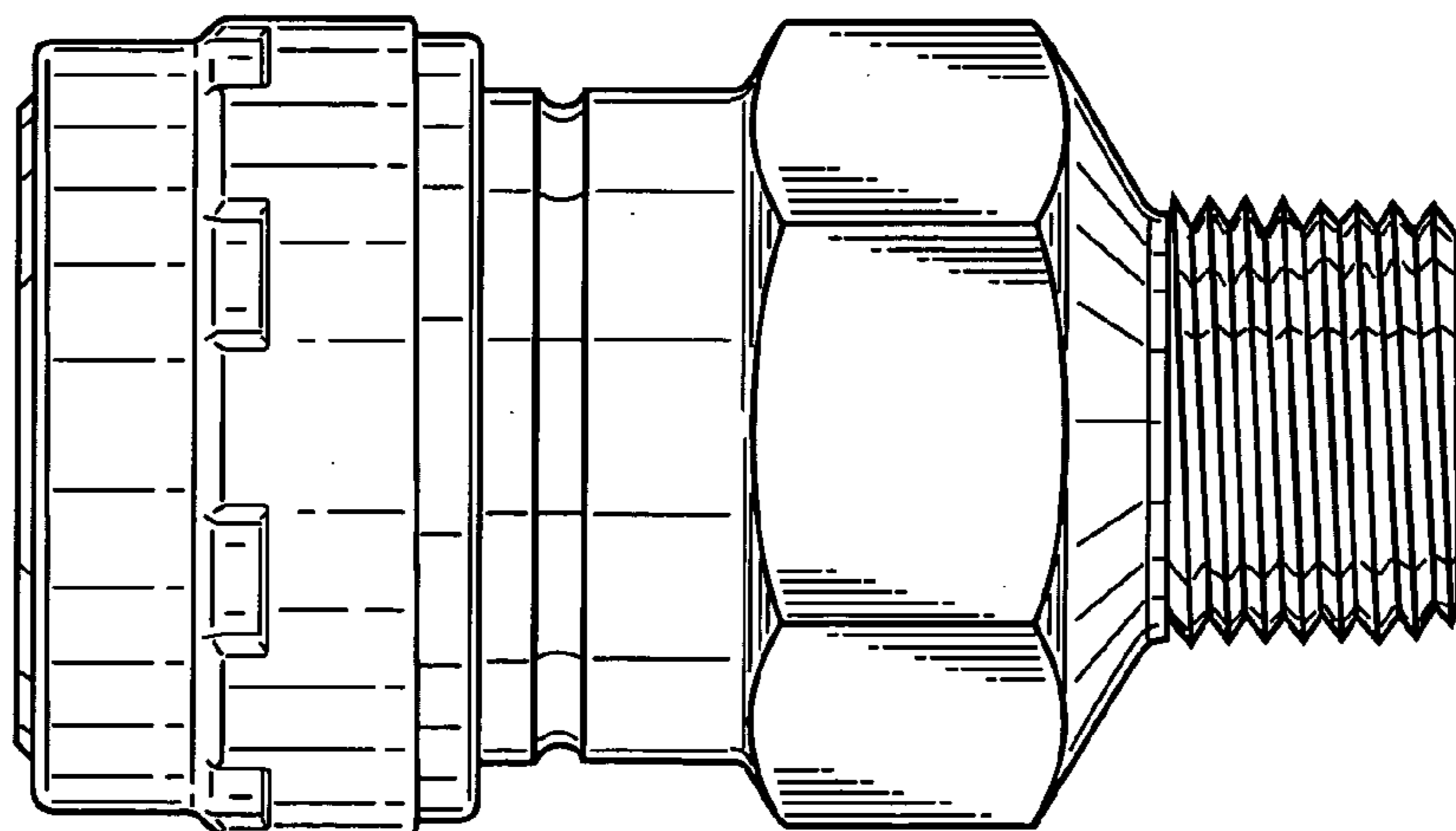


FIG. 7

