



US00D608422S

(12) **United States Design Patent**
Forsythe

(10) **Patent No.:** **US D608,422 S**
(45) **Date of Patent:** **** Jan. 19, 2010**

(54) **BLOWOUT PLUG ADAPTER**

(76) Inventor: **Nathan A. Forsythe**, 46 Hilton Ave.,
Riverside, RI (US) 02915

(**) Term: **14 Years**

(21) Appl. No.: **29/318,635**

(22) Filed: **May 23, 2008**

(51) **LOC (9) Cl.** **23-01**

(52) **U.S. Cl.** **D23/262**

(58) **Field of Classification Search** D23/259–269;
238/370–372; 138/89–91, 94; 285/121–122,
285/126, 129, 175; 52/169; 220/234, 358;
277/165

See application file for complete search history.

(56) **References Cited**

U.S. PATENT DOCUMENTS

2,225,205	A *	12/1940	Brooks	335/305
3,135,414	A *	6/1964	Lee, II	220/235
3,715,099	A	2/1973	Shendure		
3,761,117	A	9/1973	Shendure		
3,895,466	A *	7/1975	Melton	29/890.14
4,381,800	A *	5/1983	Leslie	138/90
4,425,943	A *	1/1984	Martin	138/89
D301,703	S *	6/1989	Bernstein	D12/114
D301,722	S *	6/1989	Sachs	D20/22
5,131,553	A *	7/1992	Geasland	220/235
5,373,869	A *	12/1994	Zdrok	138/90
D368,299	S *	3/1996	Ratledge	D23/235
5,547,042	A *	8/1996	Platt	184/1.5
5,628,601	A *	5/1997	Pope	411/383
5,701,935	A *	12/1997	Vasudeva	138/89
D404,472	S *	1/1999	Tickle	D23/260
D413,967	S *	9/1999	Yuen	D23/262
6,062,263	A *	5/2000	Donovan et al.	138/89

6,142,186	A *	11/2000	Donovan	138/89
6,494,463	B1 *	12/2002	Rank	277/607
6,502,603	B2 *	1/2003	Lane, Jr.	138/89
6,702,254	B2	3/2004	Noble et al.		
D510,131	S *	9/2005	Karasawa	D23/262
D600,322	S *	9/2009	Forsythe	D23/260
2004/0065376	A1 *	4/2004	Kristofferson et al.	138/89

* cited by examiner

Primary Examiner—T. Chase Nelson

Assistant Examiner—Eric L Goodman

(74) *Attorney, Agent, or Firm*—Cesari and McKenna, LLP;
James M. Behmke

(57) **CLAIM**

I claim, the ornamental design for a blowout plug adapter, as shown and described.

DESCRIPTION

FIG. 1 is an isometric view of a blowout plug adapter embodying my new design, with the phantom lines depicting a pneumatic hose quick-connect coupling and a conventional garden hose;

FIG. 2 is a side cross-sectional view of the blowout plug adapter, taken along line 2—2 as shown in FIG. 5, with phantom lines depicting a pneumatic hose with a quick-connect coupling receiver, a corresponding quick-connect coupling, and a conventional garden hose;

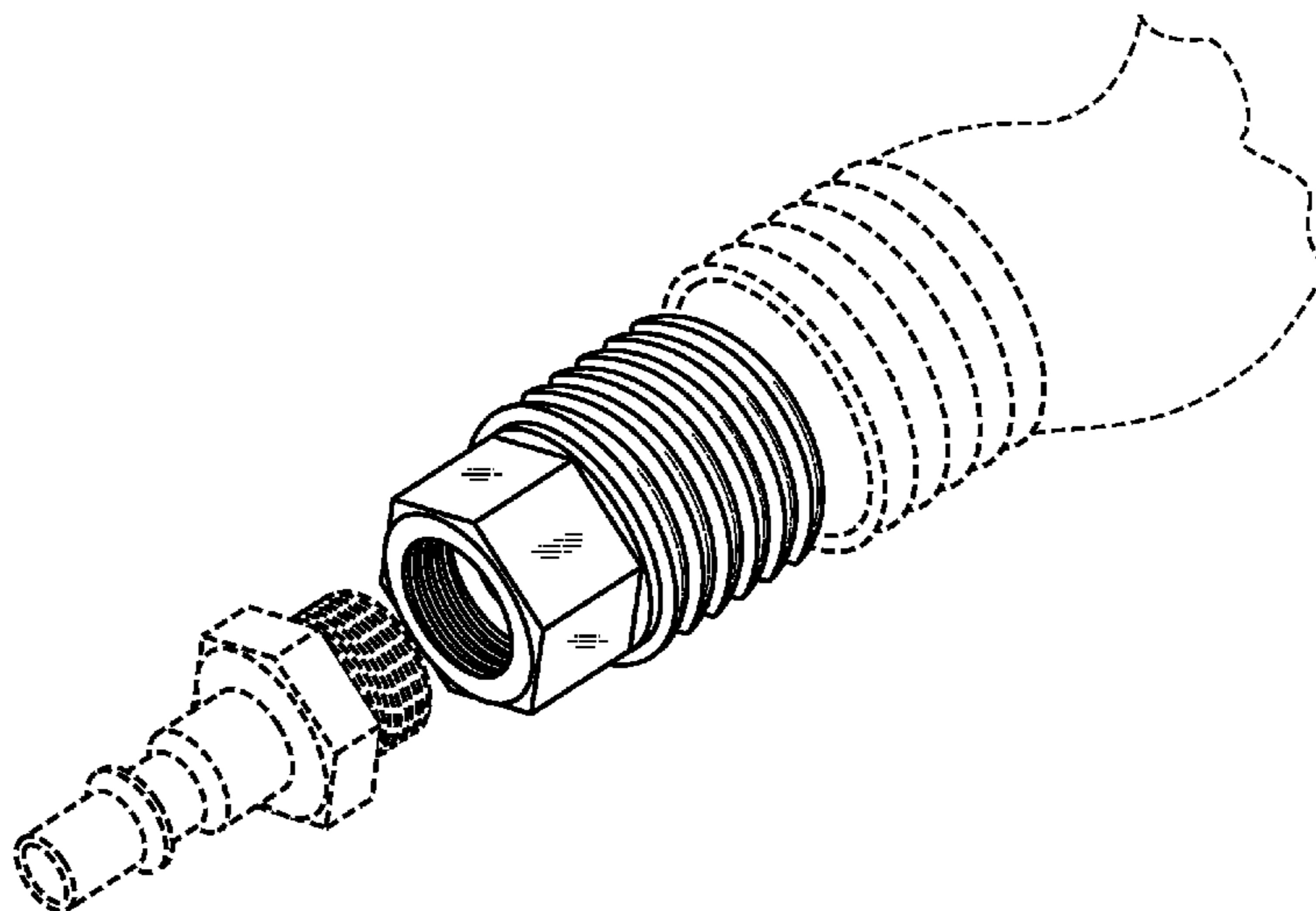
FIG. 3 is a side elevation view of the blowout plug adapter;

FIG. 4 is a top plan view of the blowout plug adapter; and,

FIG. 5 is bottom plan view of the blowout plug adapter.

Portions of the views shown in phantom in FIGS. 1 and 2 depict environmental structure, and form no part of the claimed design.

1 Claim, 2 Drawing Sheets



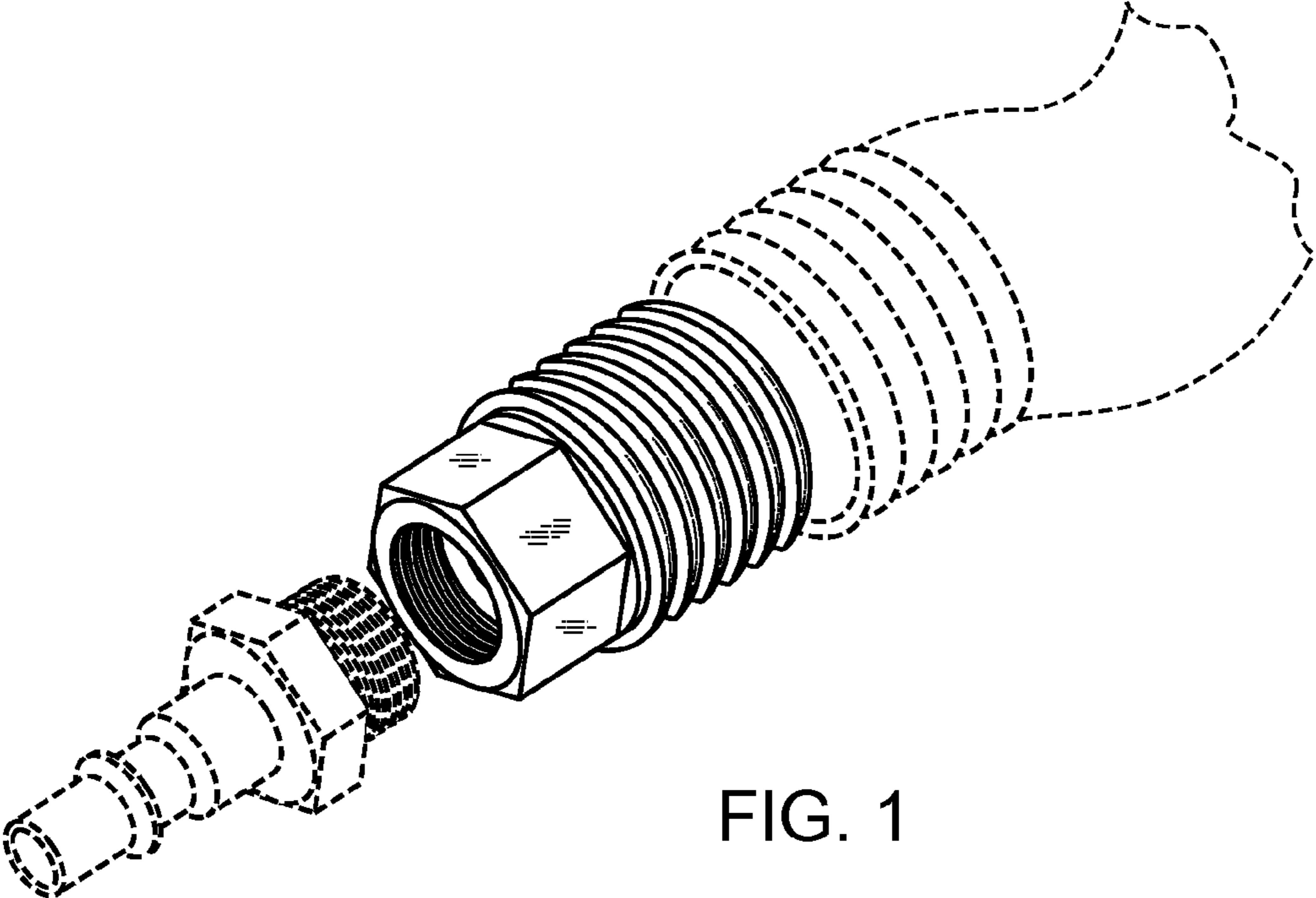


FIG. 1

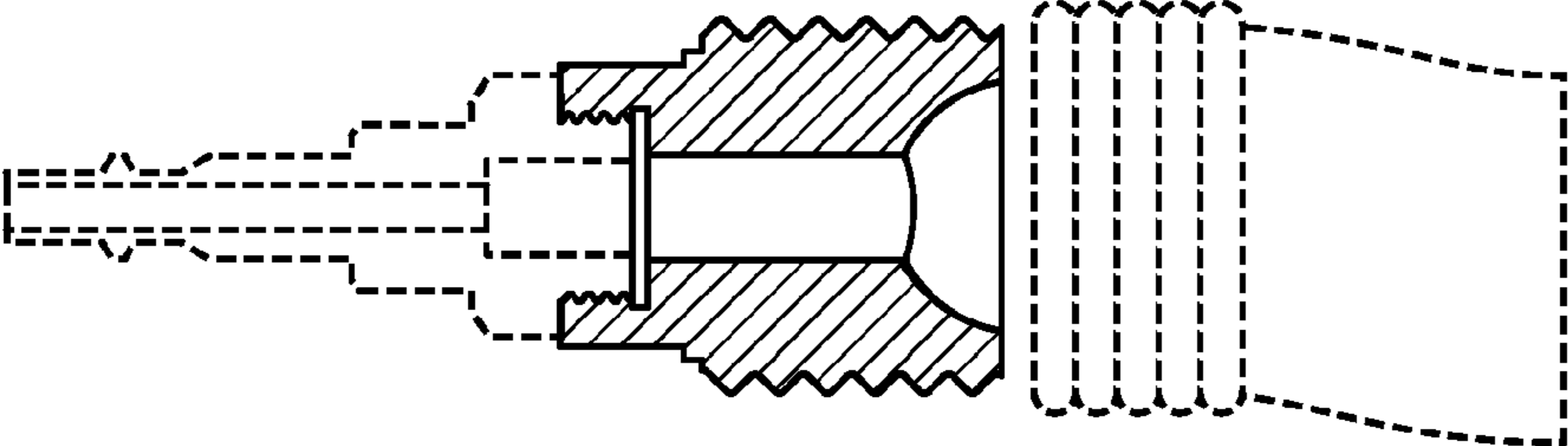


FIG. 2

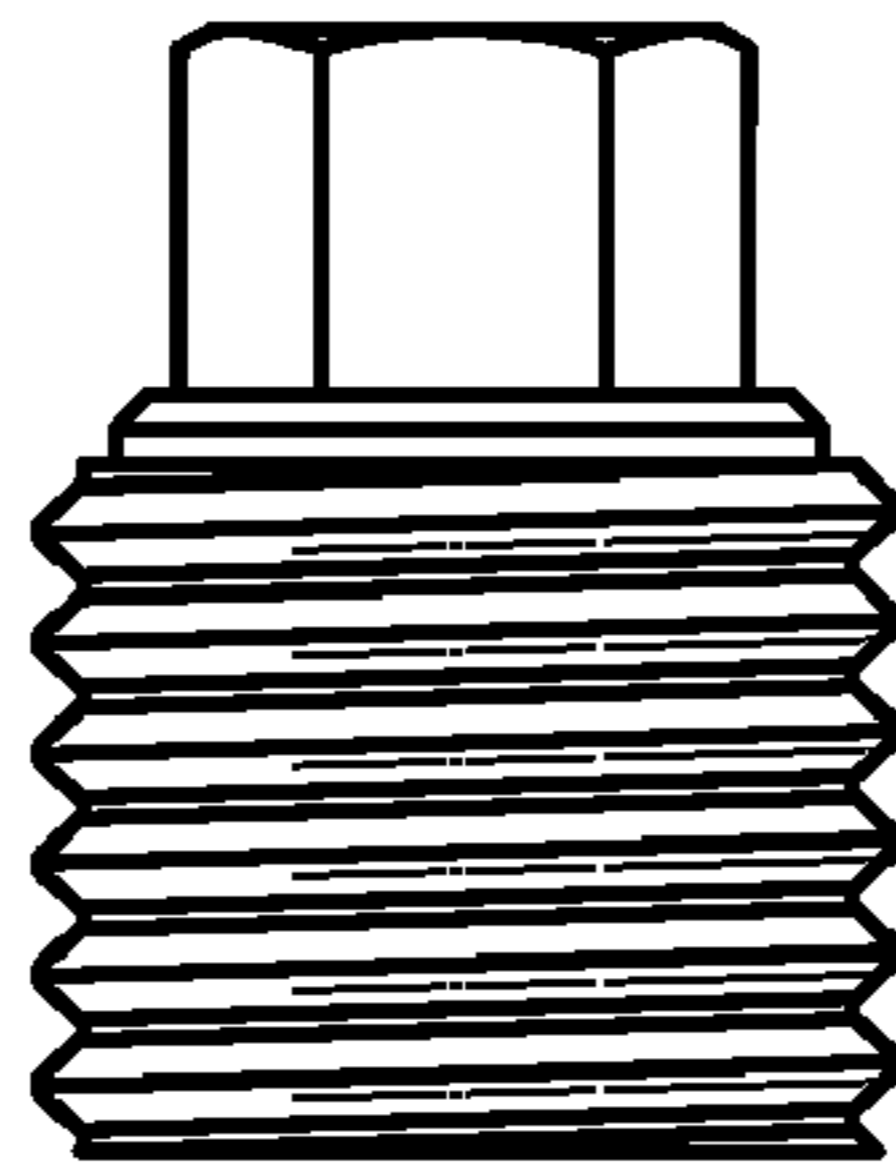


FIG. 3

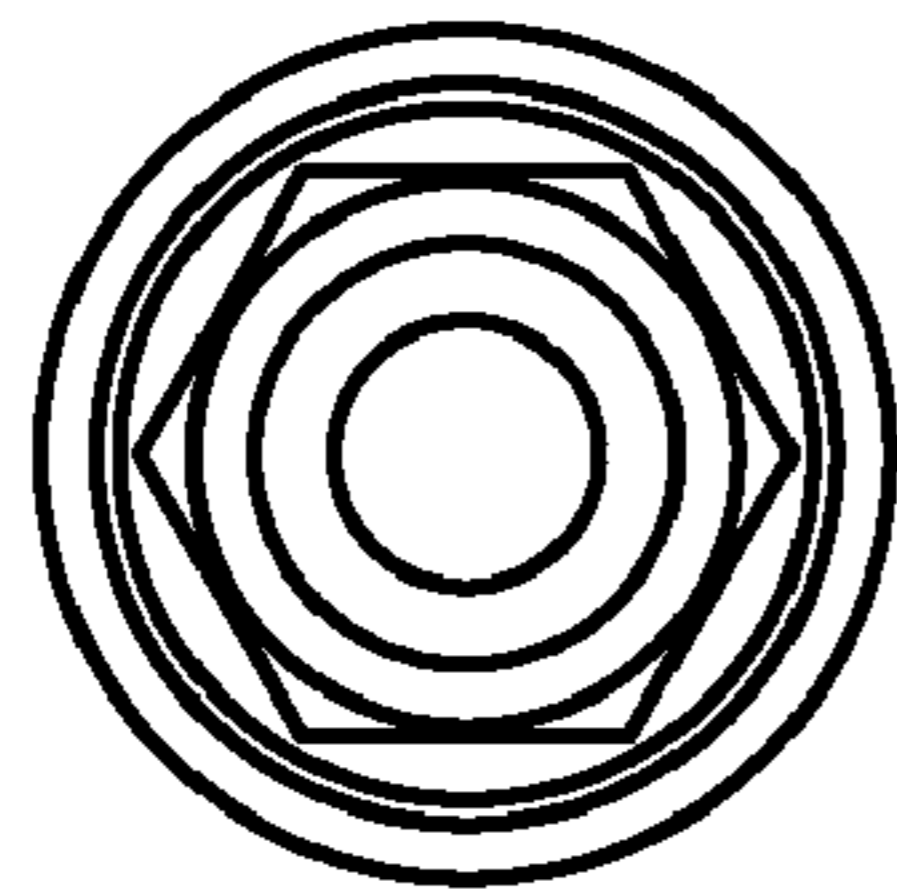


FIG. 4

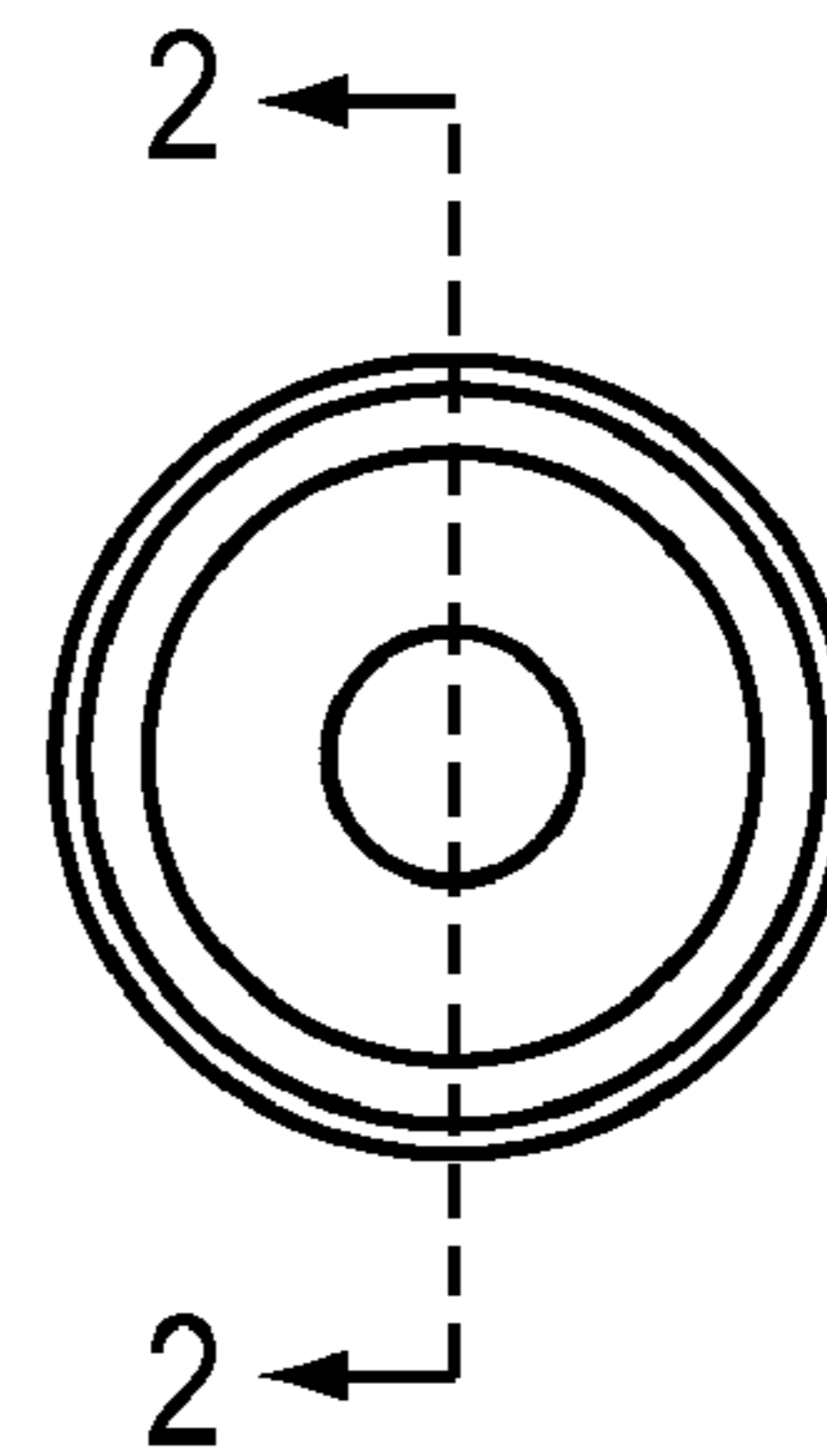


FIG. 5