



US00D608420S

(12) **United States Design Patent**  
**Kohler, Jr. et al.**

(10) **Patent No.:** **US D608,420 S**  
(45) **Date of Patent:** **\*\* Jan. 19, 2010**

(54) **PLUMBING SPOUT**

(75) Inventors: **Herbert V. Kohler, Jr.**, Kohler, WI (US);  
**Duck Y. Kong**, Watertown, MA (US)

(73) Assignee: **Kohler Co.**, Kohler, WI (US)

(\*\*) Term: **14 Years**

(21) Appl. No.: **29/304,614**

(22) Filed: **Mar. 5, 2008**

(51) **LOC (9) Cl.** ..... **02-01**

(52) **U.S. Cl.** ..... **D23/255**

(58) **Field of Classification Search** ..... D23/238,  
D23/241–243, 255–257; 4/678; 137/801  
See application file for complete search history.

(56) **References Cited**

**U.S. PATENT DOCUMENTS**

D292,607 S	11/1987	Wu	
D325,771 S	4/1992	Di Maggio	
D341,875 S	11/1993	Allen et al.	
D461,230 S	8/2002	Ko	
D486,986 S	2/2004	Arbore	
D492,387 S	6/2004	Pohl et al.	
D512,484 S	12/2005	Paini	
D536,425 S	2/2007	Van Marcke	
D541,907 S	5/2007	Quing	
D557,383 S	* 12/2007	Garner	..... D23/255
D588,233 S	* 3/2009	Zetsche et al.	..... D23/238

**OTHER PUBLICATIONS**

A page from a Villeroy web site ad, undated, depicting the Square Vogue faucet.

A page from a Kohler web site ad, undated, depicting the Pillow Talk Bidet.

\* cited by examiner

*Primary Examiner*—Robert A Delehanty  
(74) *Attorney, Agent, or Firm*—Quarles & Brady LLP

(57) **CLAIM**

The ornamental design for a plumbing spout, as shown and described.

**DESCRIPTION**

In a preferred embodiment, the nature of this product is a plumbing fitting in the form of a spout portion of a faucet for washing items or body parts.

FIG. 1 is a right, top, frontal perspective view of a plumbing spout according to our new design;

FIG. 2 is a right side elevational view thereof;

FIG. 3 is a front elevational view thereof;

FIG. 4 is a left side elevational view thereof;

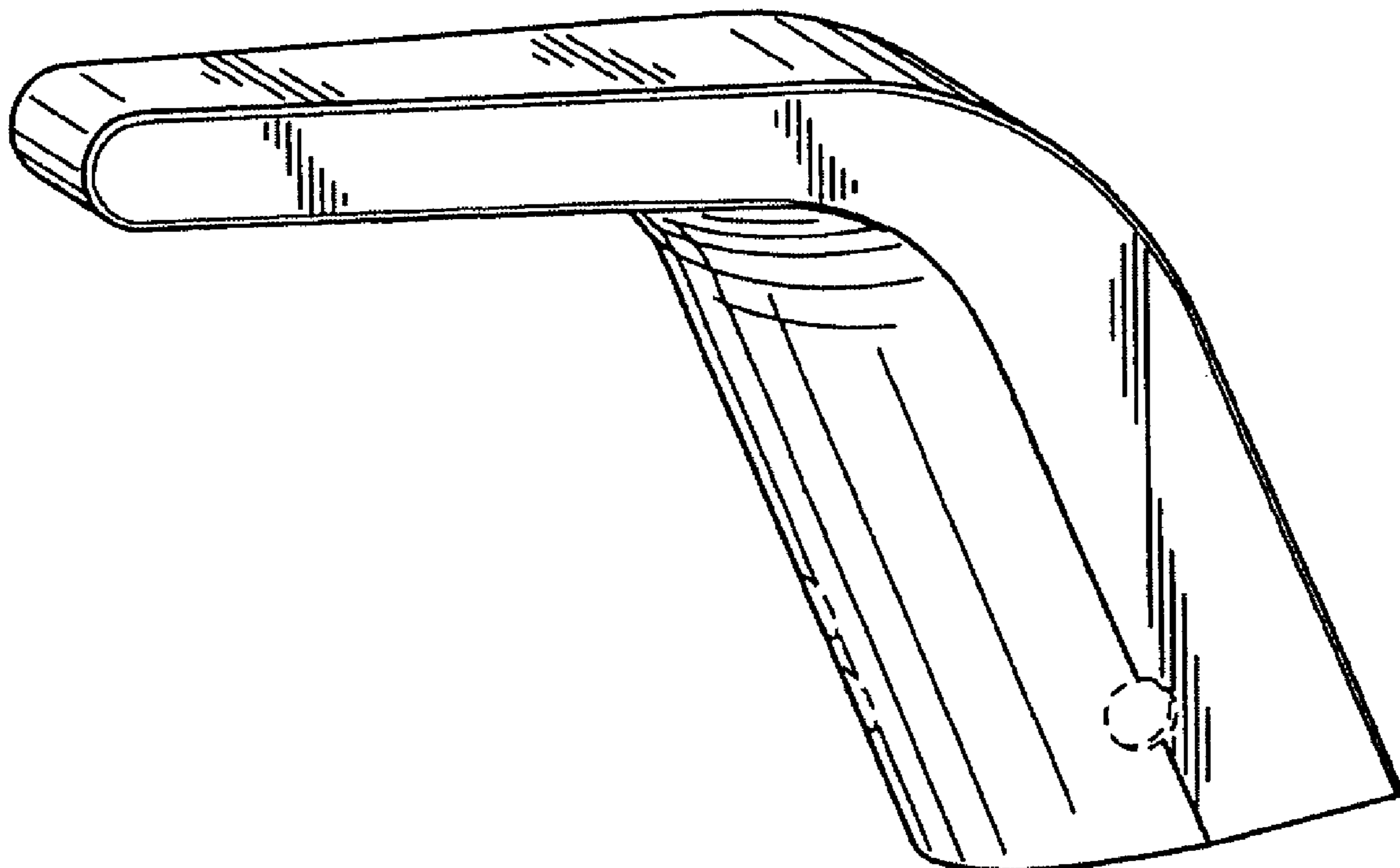
FIG. 5 is a rear elevational view thereof;

FIG. 6 is a top plan view thereof; and,

FIG. 7 is a bottom plan view thereof.

The broken line representations in the figures are for the purpose of illustration only, and form no part of the claimed design.

**1 Claim, 3 Drawing Sheets**



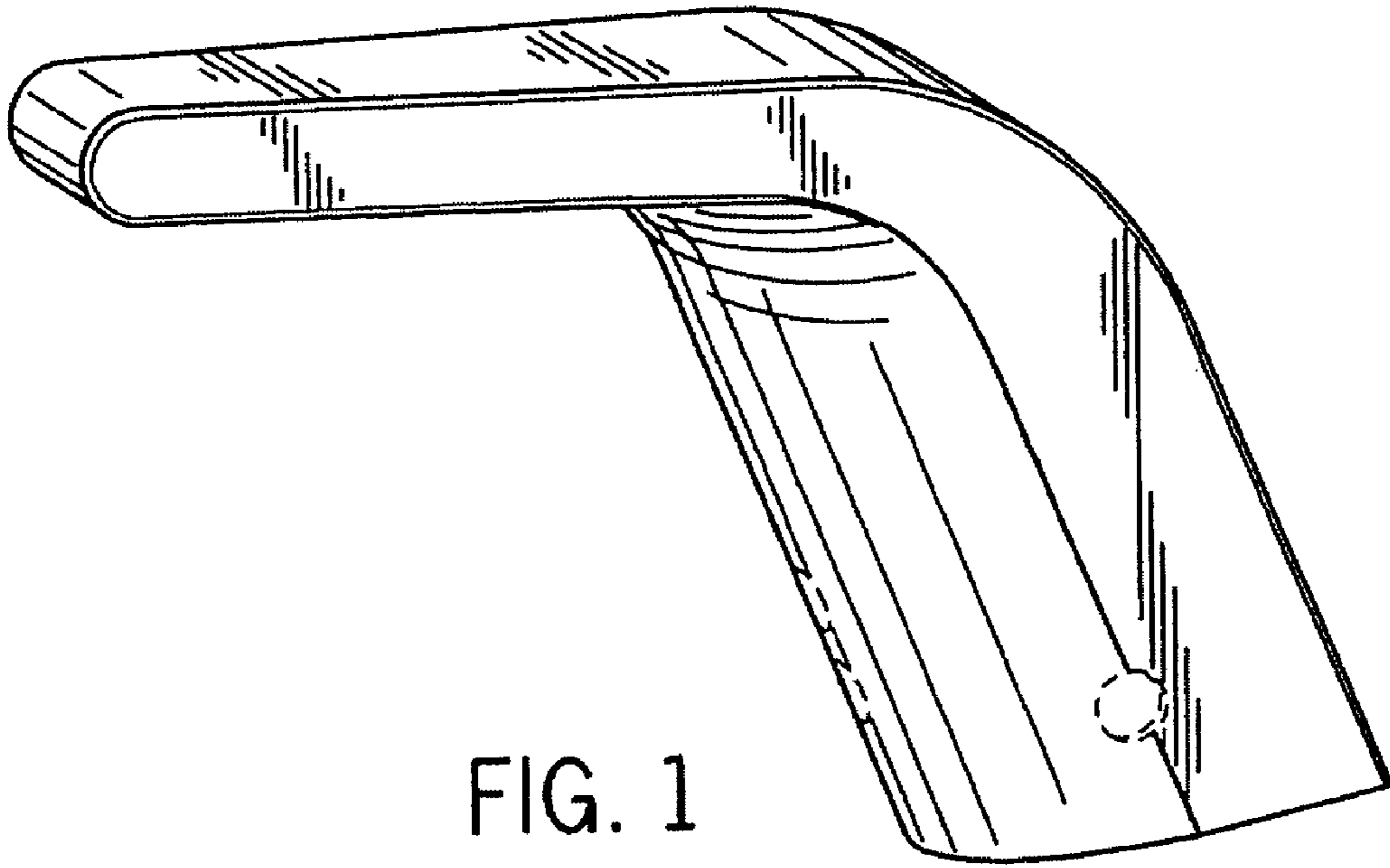


FIG. 1

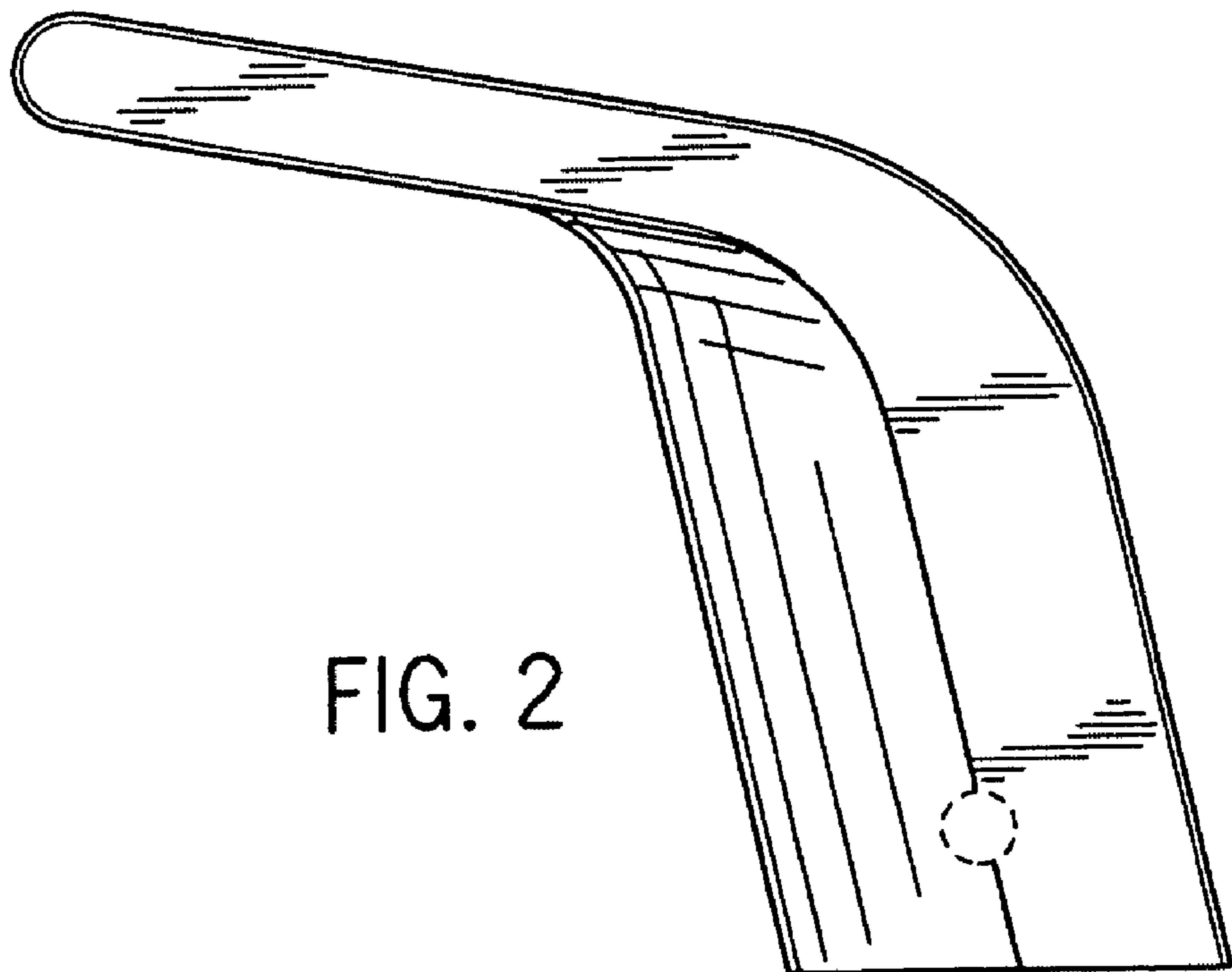


FIG. 2

FIG. 3

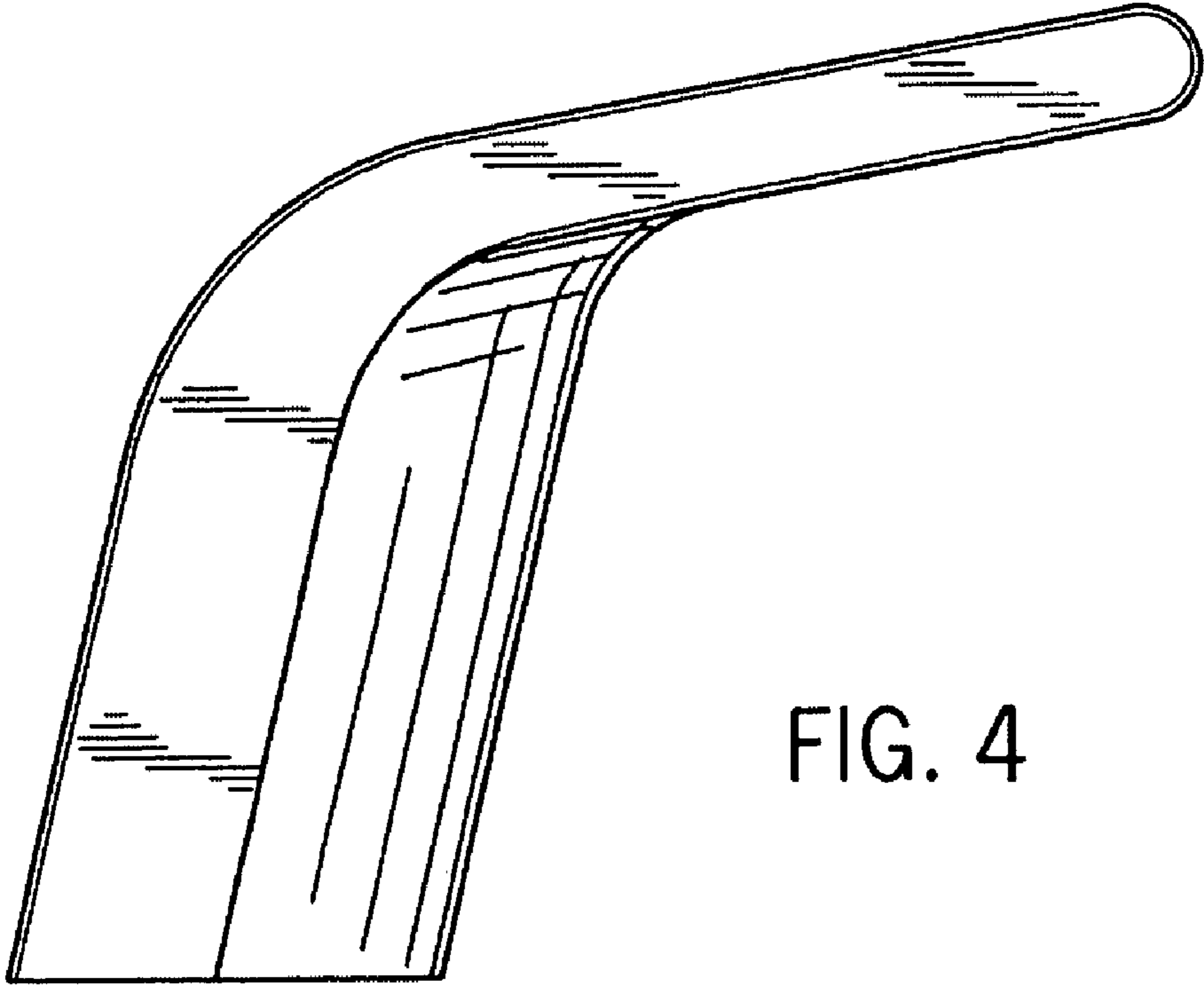
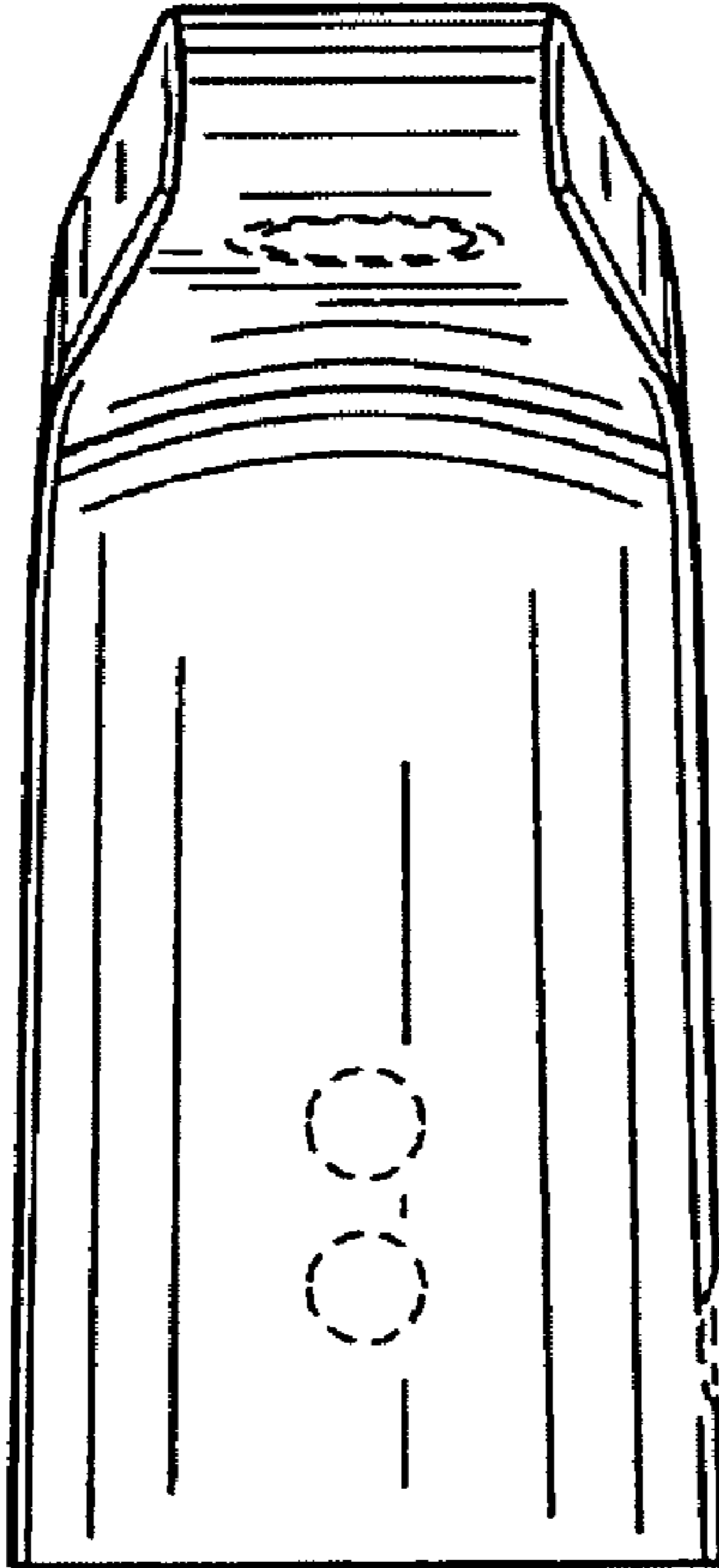


FIG. 4

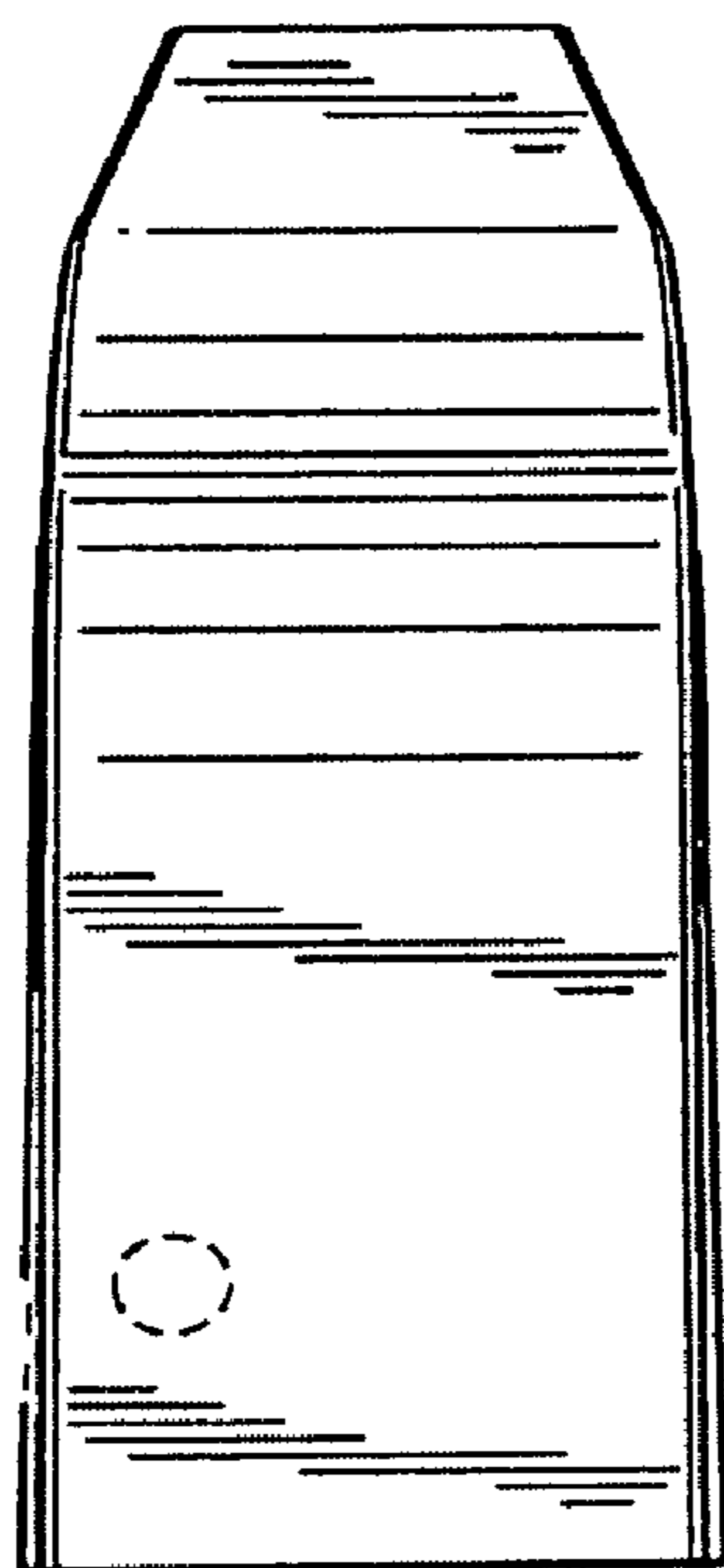


FIG. 5

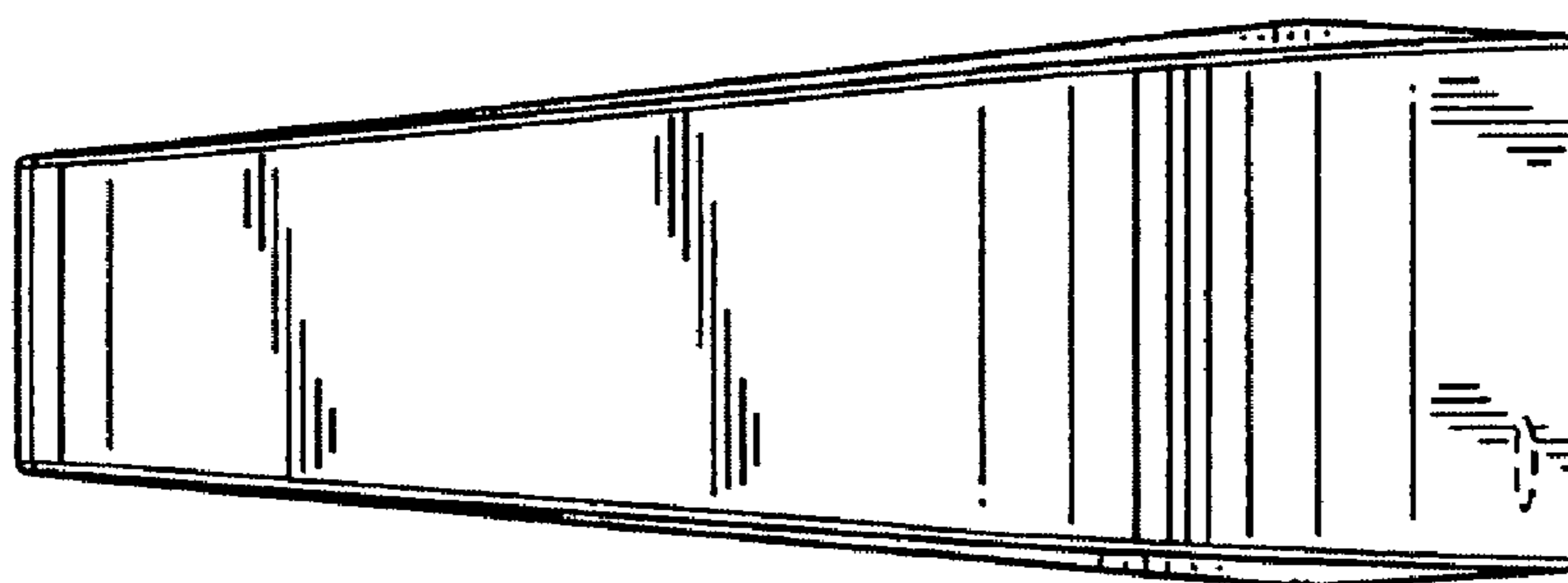


FIG. 6

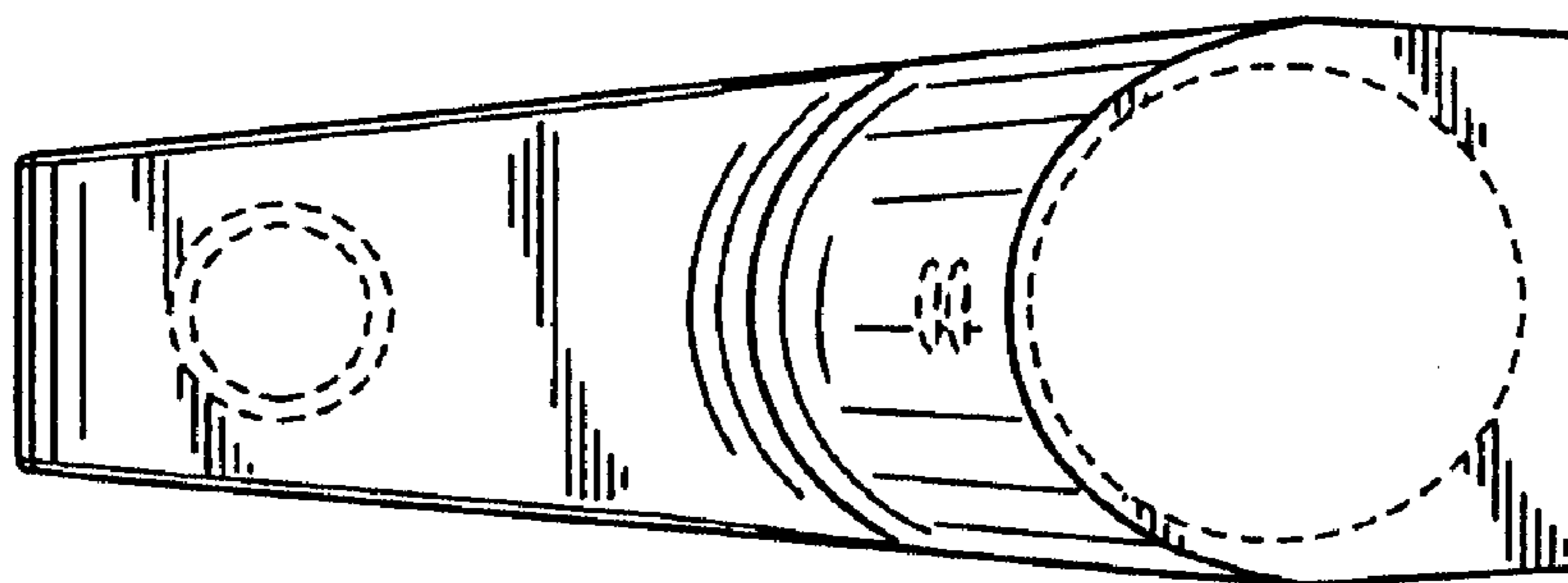


FIG. 7