



US00D608419S

(12) **United States Design Patent**
Kohler, Jr. et al.

(10) **Patent No.:** **US D608,419 S**

(45) **Date of Patent:** **** Jan. 19, 2010**

(54) **PLUMBING SPOUT**

(75) Inventors: **Herbert V. Kohler, Jr.**, Kohler, WI (US);
Karger D. Kohler, Kohler, WI (US);
Duck Y. Kong, Watertown, MA (US)

(73) Assignee: **Kohler Co.**, Kohler, WI (US)

(**) Term: **14 Years**

(21) Appl. No.: **29/304,609**

(22) Filed: **Mar. 5, 2008**

(51) **LOC (9) Cl.** **02-01**

(52) **U.S. Cl.** **D23/255**

(58) **Field of Classification Search** D23/238,
D23/241-243, 255-257; 4/678; 137/801
See application file for complete search history.

(56) **References Cited**

U.S. PATENT DOCUMENTS

D296,234 S	6/1988	Enthoven	
D330,935 S	11/1992	Delepine	
D353,653 S	12/1994	McKeone	
D405,512 S *	2/1999	Delker D23/255
D406,639 S	3/1999	Higgins	
D478,966 S	8/2003	Citterio	
D486,560 S	2/2004	Spangler	
D510,411 S	10/2005	Lord	
D522,092 S	5/2006	Hoernig	
D529,586 S	10/2006	Kulig	
D530,782 S	10/2006	Starck	
D532,489 S	11/2006	Aubry et al.	
D578,617 S *	10/2008	Urquiola D23/255

OTHER PUBLICATIONS

A page from a Superior Bath web site dated 2005, depicting the DA-3101 prior art faucet.

A page from a Kohler web site ad, undated, depicting the Pinstripe Pure faucet.

A page from a Villeroy web site ad, undated, depicting the Square Vogue faucet.

* cited by examiner

Primary Examiner—Robert A Delehanty

(74) *Attorney, Agent, or Firm*—Quarles & Brady LLP

(57) **CLAIM**

The ornamental design for a plumbing spout, as shown and described.

DESCRIPTION

In a preferred embodiment, the nature of this product is a plumbing fitting in the form of a spout portion of a faucet for washing items or body parts.

FIG. 1 is a right, top, frontal perspective view of a plumbing spout according to our new design;

FIG. 2 is a right side elevational view thereof;

FIG. 3 is a front elevational view thereof;

FIG. 4 is a left side elevational view thereof;

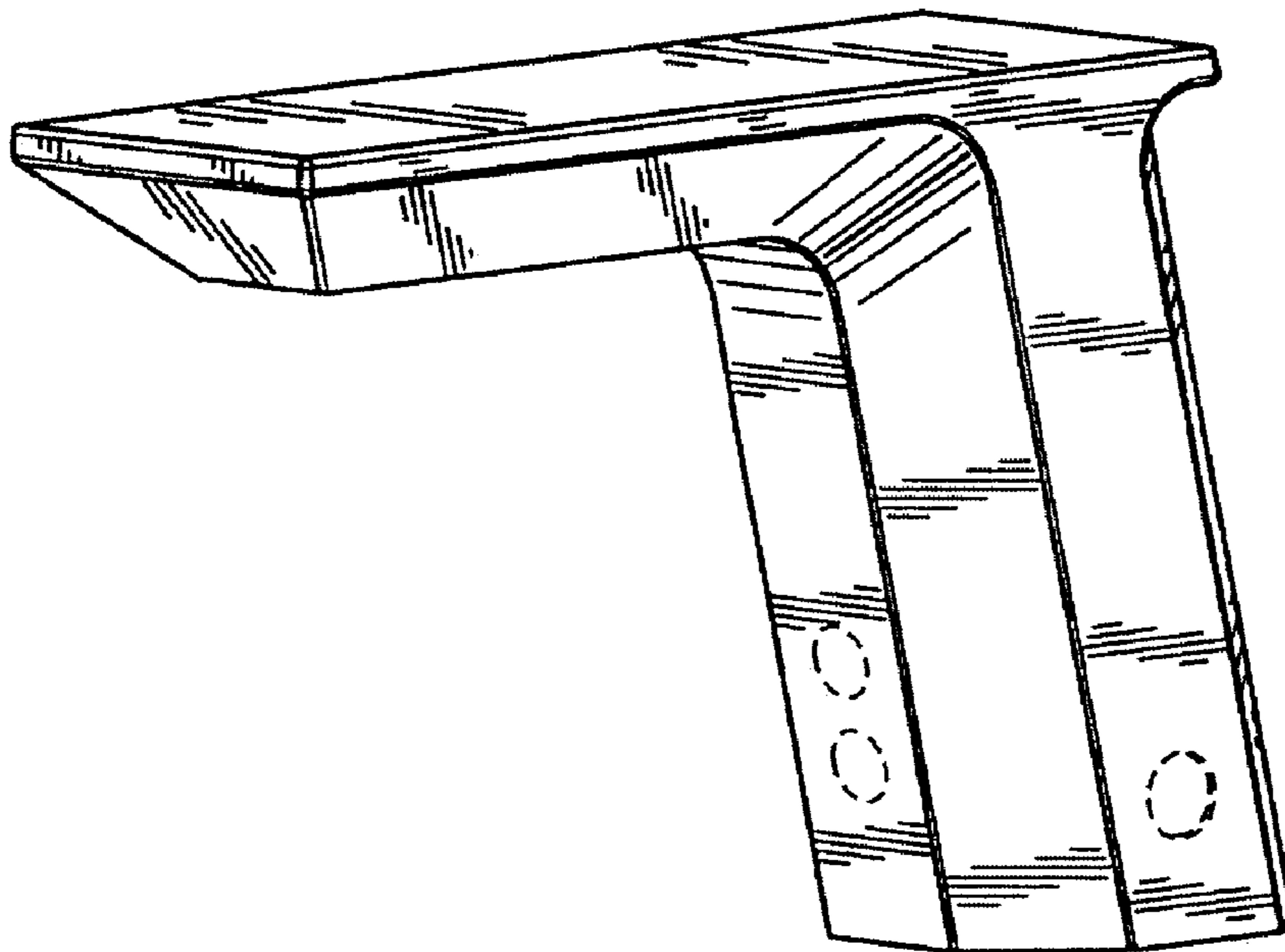
FIG. 5 is a rear elevational view thereof;

FIG. 6 is a top plan view thereof; and,

FIG. 7 is a bottom plan view thereof.

The broken line representations in the figures are for the purpose of illustration only, and form no part of the claimed design.

1 Claim, 4 Drawing Sheets



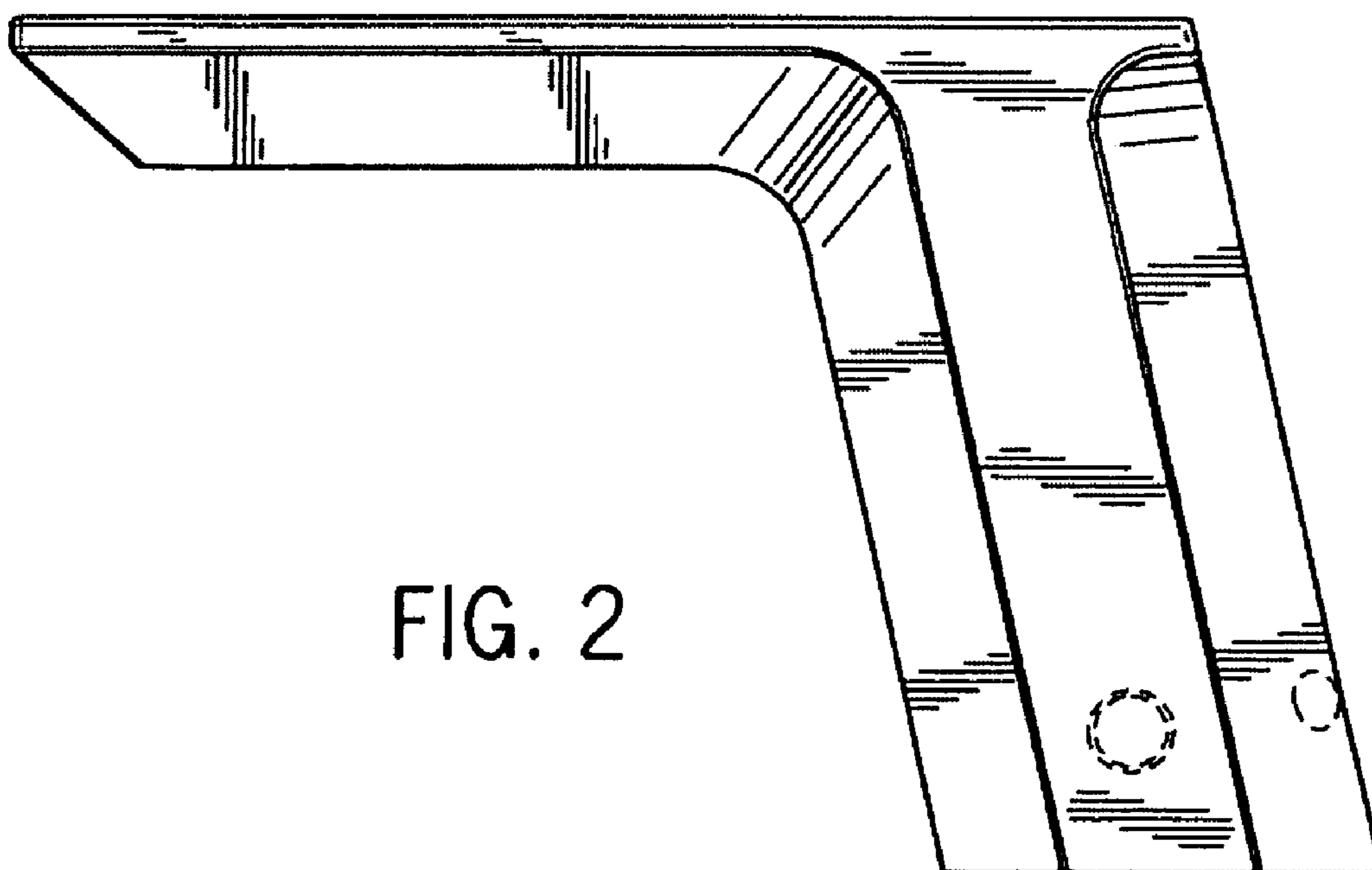
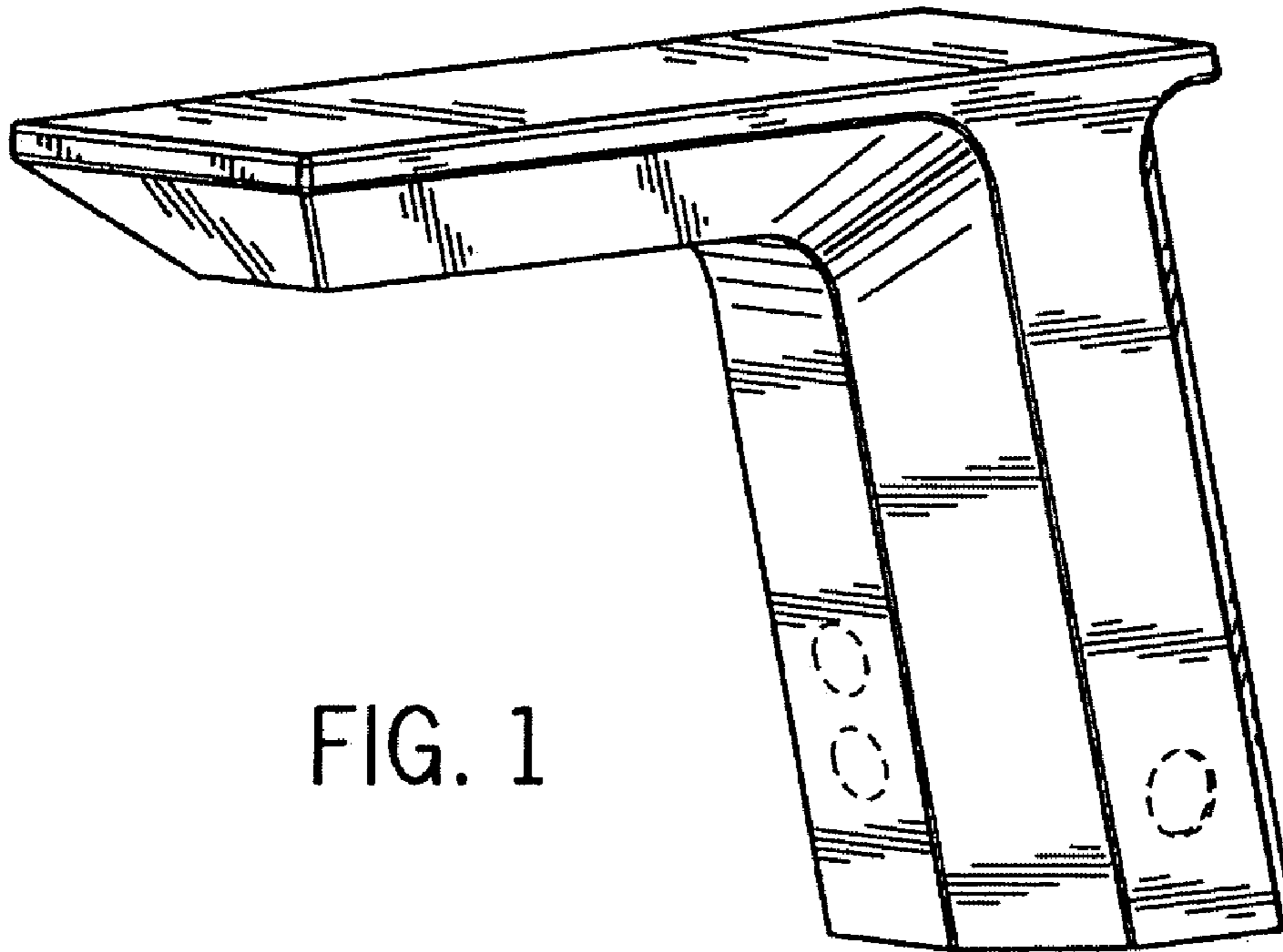


FIG. 3

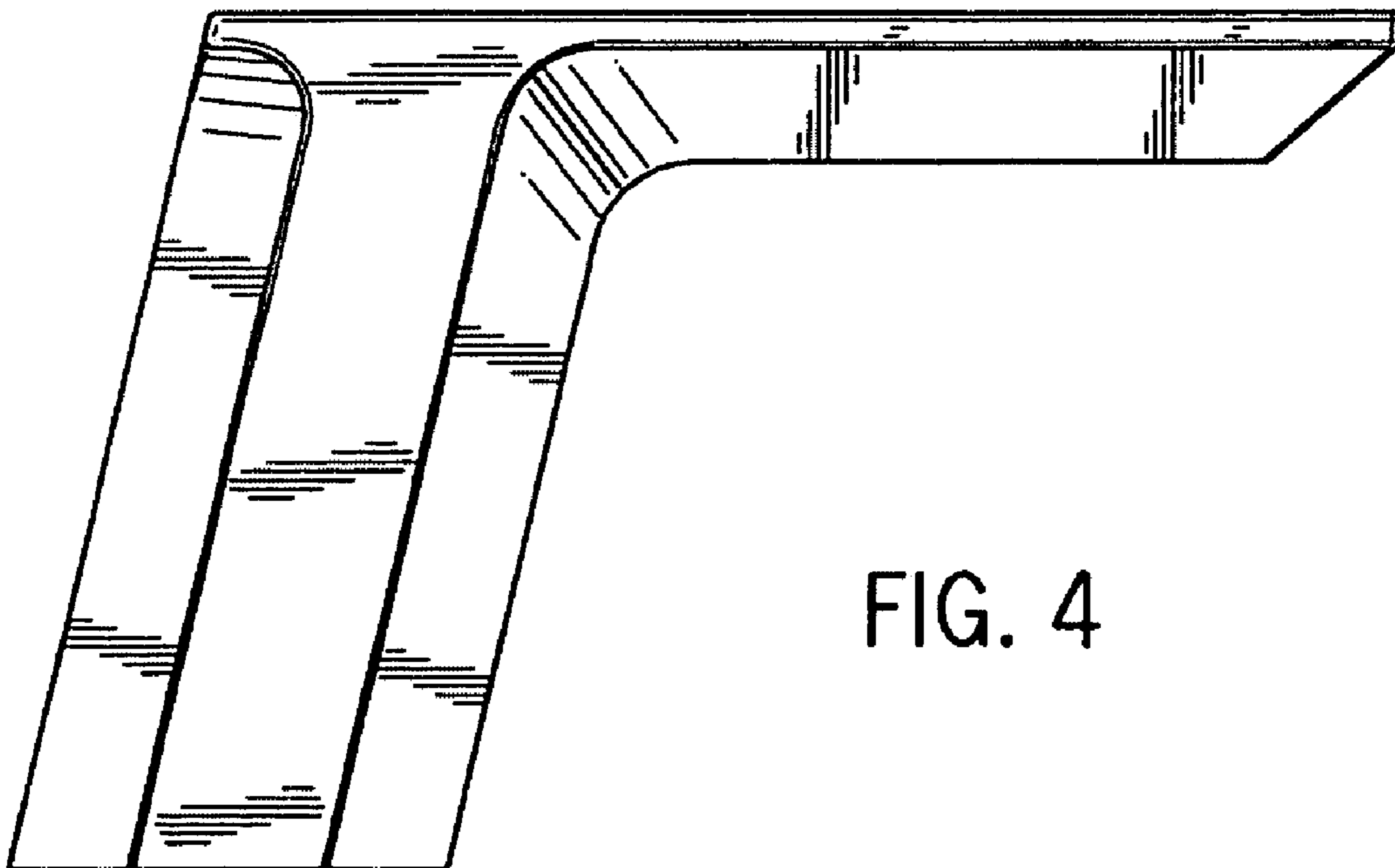
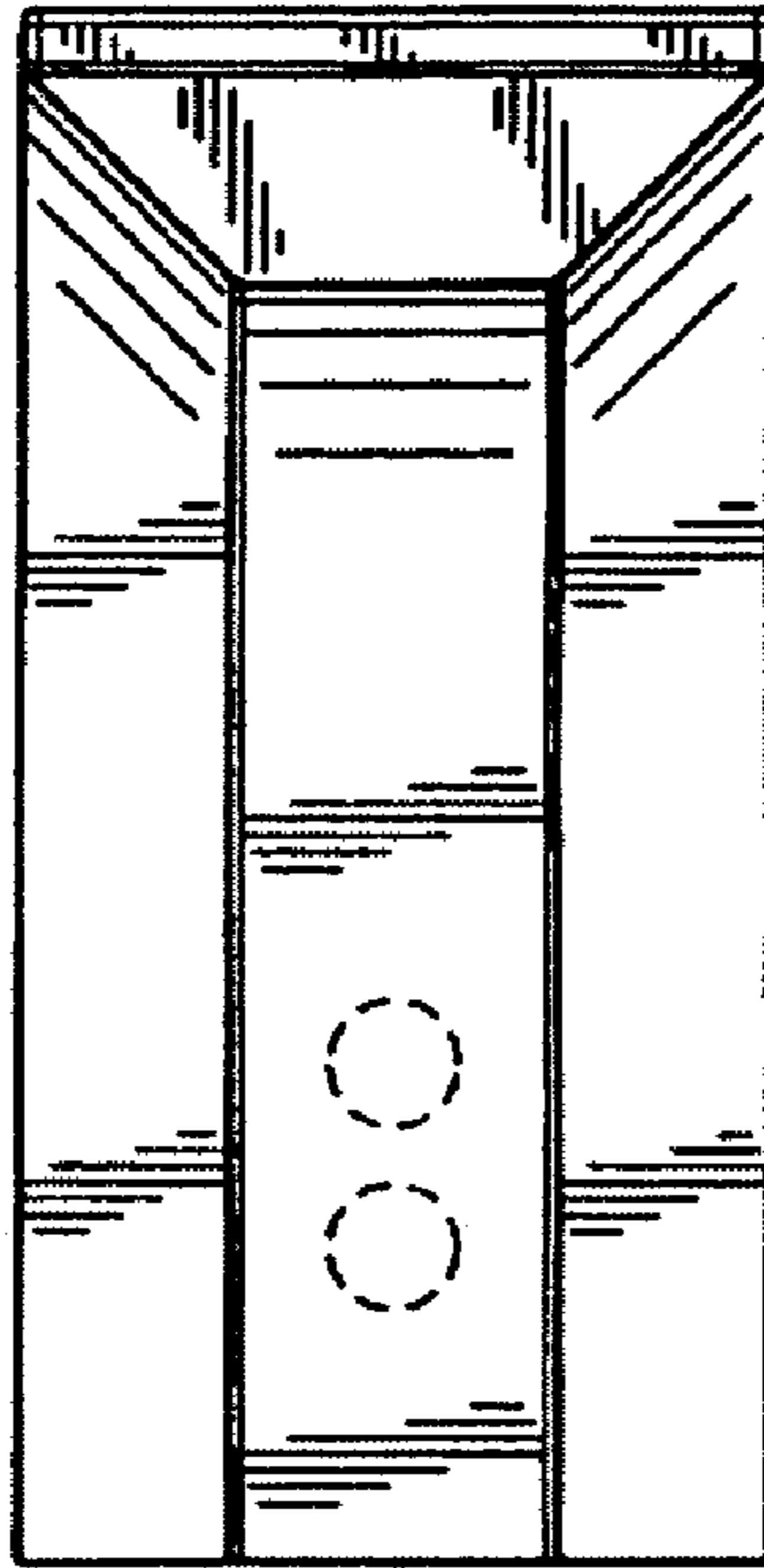


FIG. 4

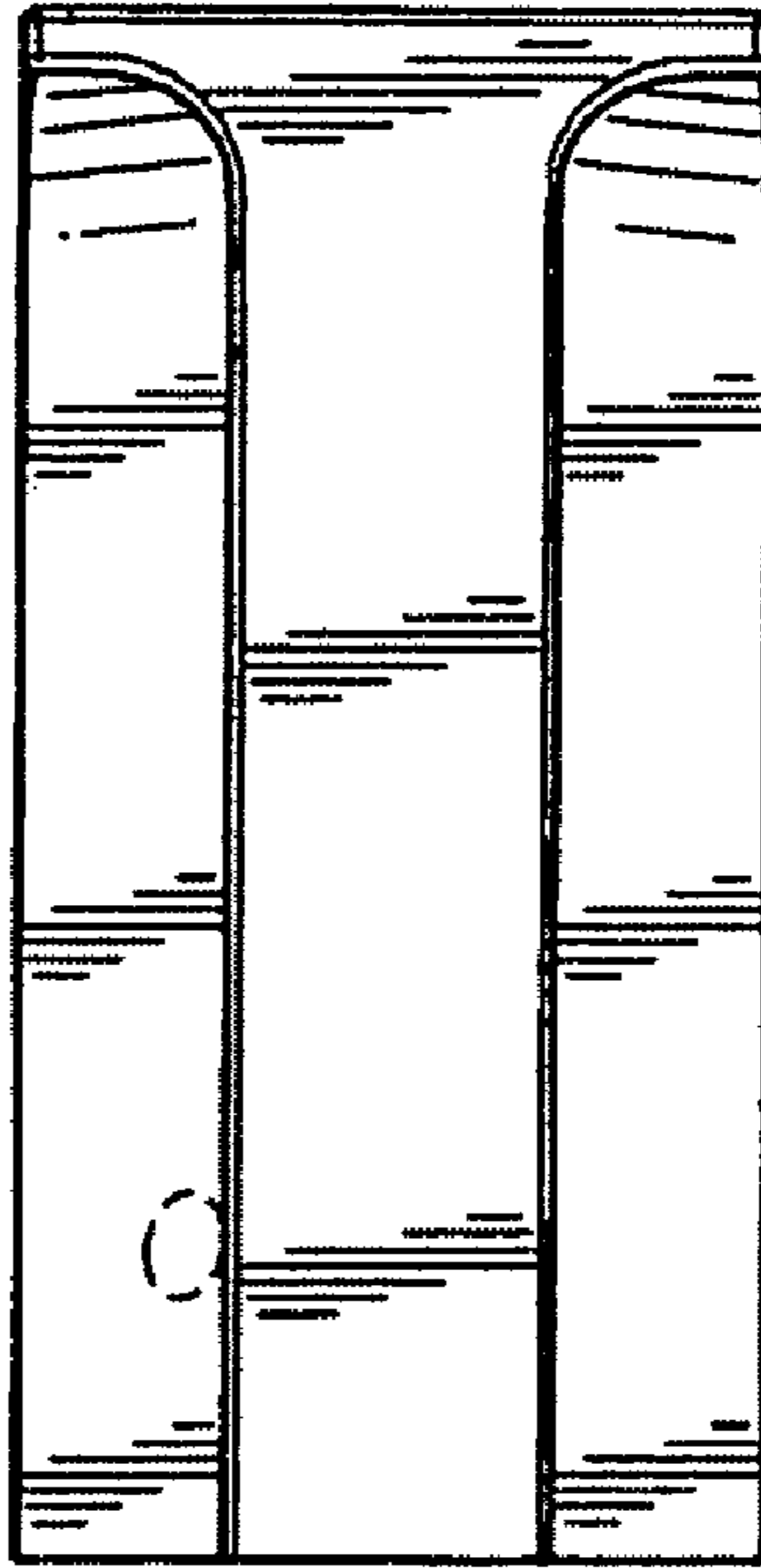


FIG. 5

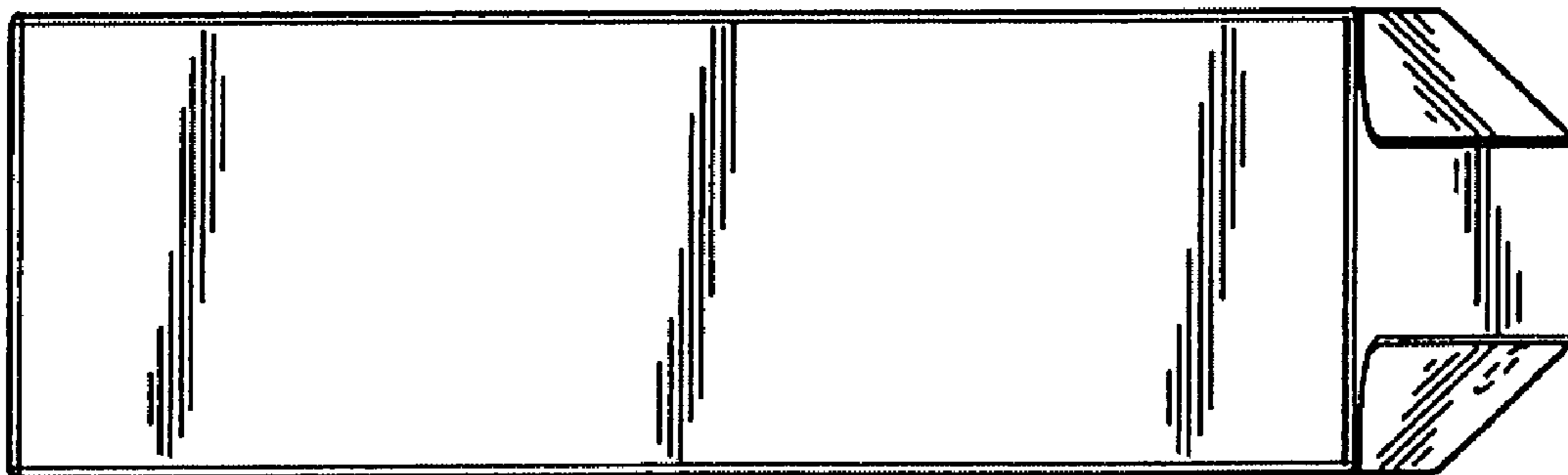


FIG. 6

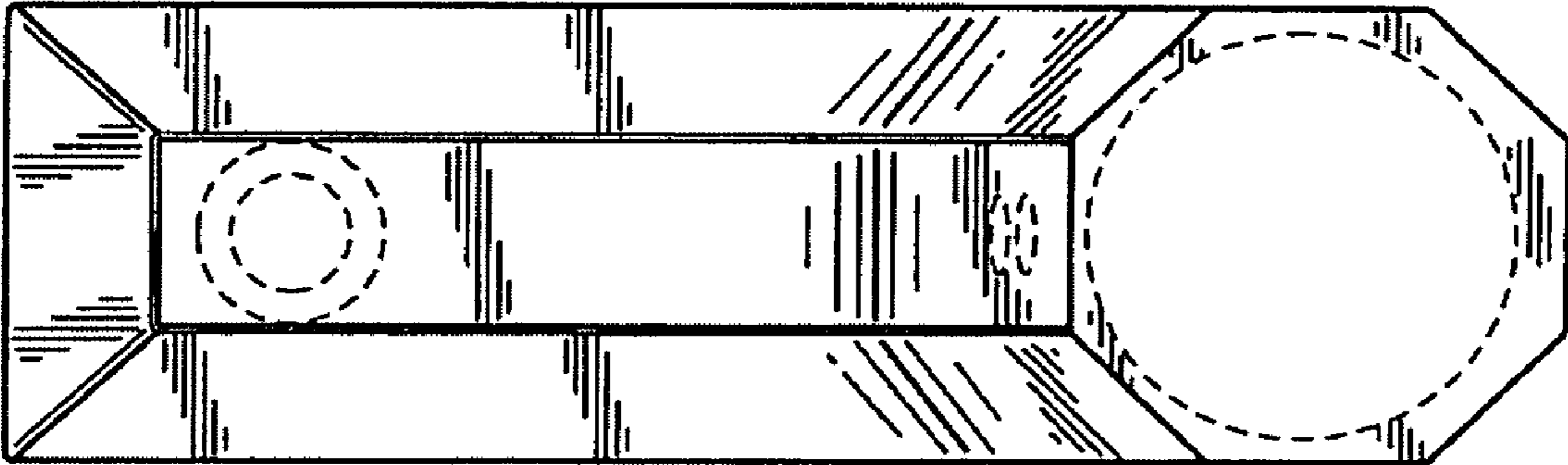


FIG. 7