



US00D608418S

(12) **United States Design Patent**
Schoenherr et al.

(10) **Patent No.:** **US D608,418 S**
(45) **Date of Patent:** **** Jan. 19, 2010**

(54) **FAUCET HANDLE**

D434,121 S * 11/2000 Donath et al. D23/252
D512,488 S * 12/2005 Kulig D23/252
D581,023 S * 11/2008 Citterio D23/252

(75) Inventors: **Tom Schoenherr**, Stuttgart (DE); **Sven Feustel**, Stuttgart (DE)

(73) Assignee: **Hansgrohe AG**, Schiltach (DE)

* cited by examiner

(**) Term: **14 Years**

Primary Examiner—Robert A Delehanty

(21) Appl. No.: **29/333,848**

(74) *Attorney, Agent, or Firm*—Nirav D. Parikh; Edgar A. Zarins

(22) Filed: **Mar. 16, 2009**

(57) **CLAIM**

(30) **Foreign Application Priority Data**

The ornamental design for a faucet handle, as shown and described.

Sep. 26, 2008 (EM) 001011415-0018

DESCRIPTION

(51) **LOC (9) Cl.** **23-01**

(52) **U.S. Cl.** **D23/250**

(58) **Field of Classification Search** D23/238–243,
D23/250, 252–254; 4/676–678; 137/801,
137/359; 16/110.1; D8/350–353; D6/550
See application file for complete search history.

FIG. 1 is a perspective view of a faucet handle showing our design;

FIG. 2 is a front elevational view thereof;

FIG. 3 is a rear elevational view thereof;

FIG. 4 is a left side elevational view thereof; the right side elevational view being a mirror image thereof; and,

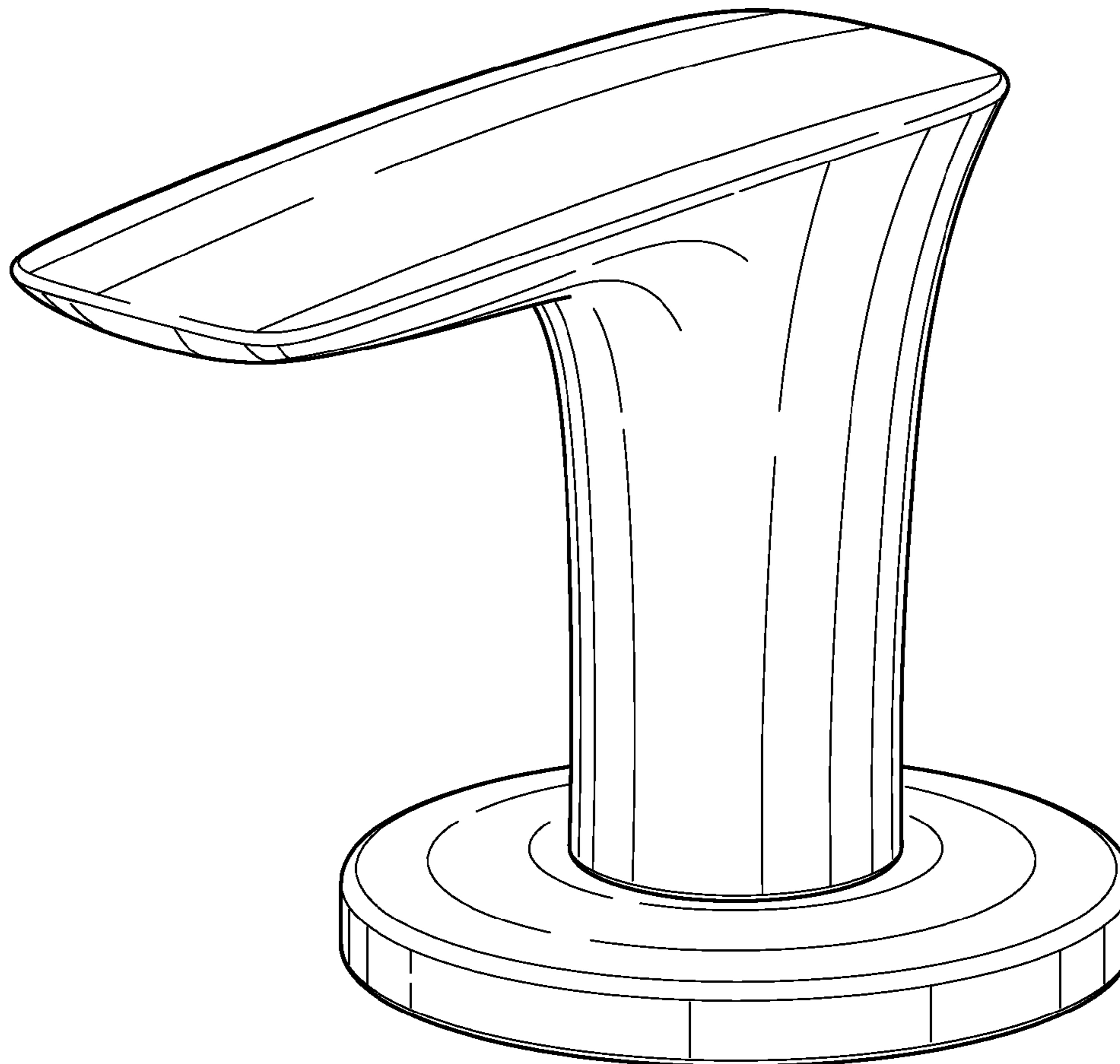
FIG. 5 is a top plan view thereof.

(56) **References Cited**

U.S. PATENT DOCUMENTS

D309,006 S * 7/1990 Spangler D23/252
D390,917 S * 2/1998 Kergoet D23/238

1 Claim, 5 Drawing Sheets



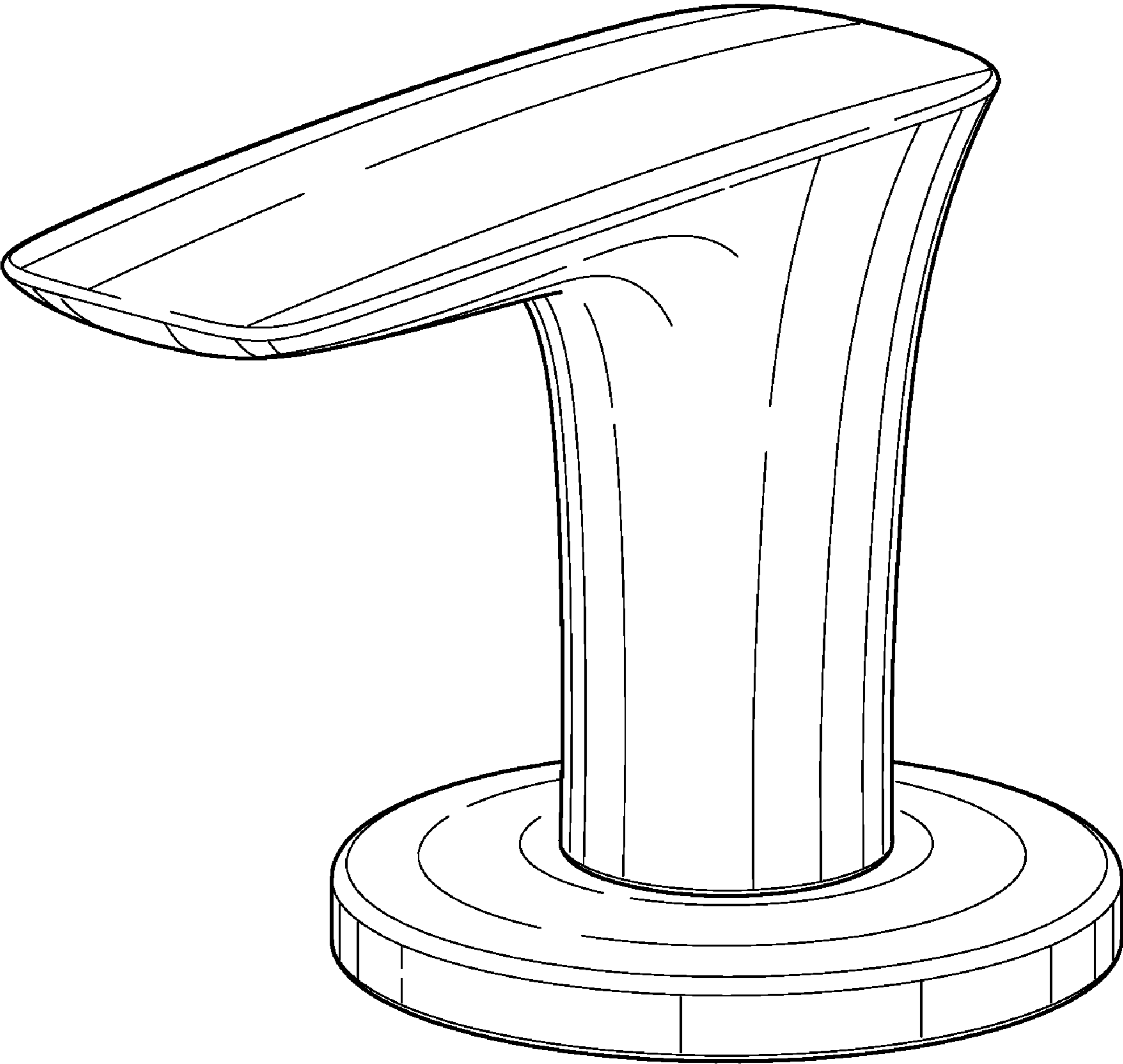


FIG. 1

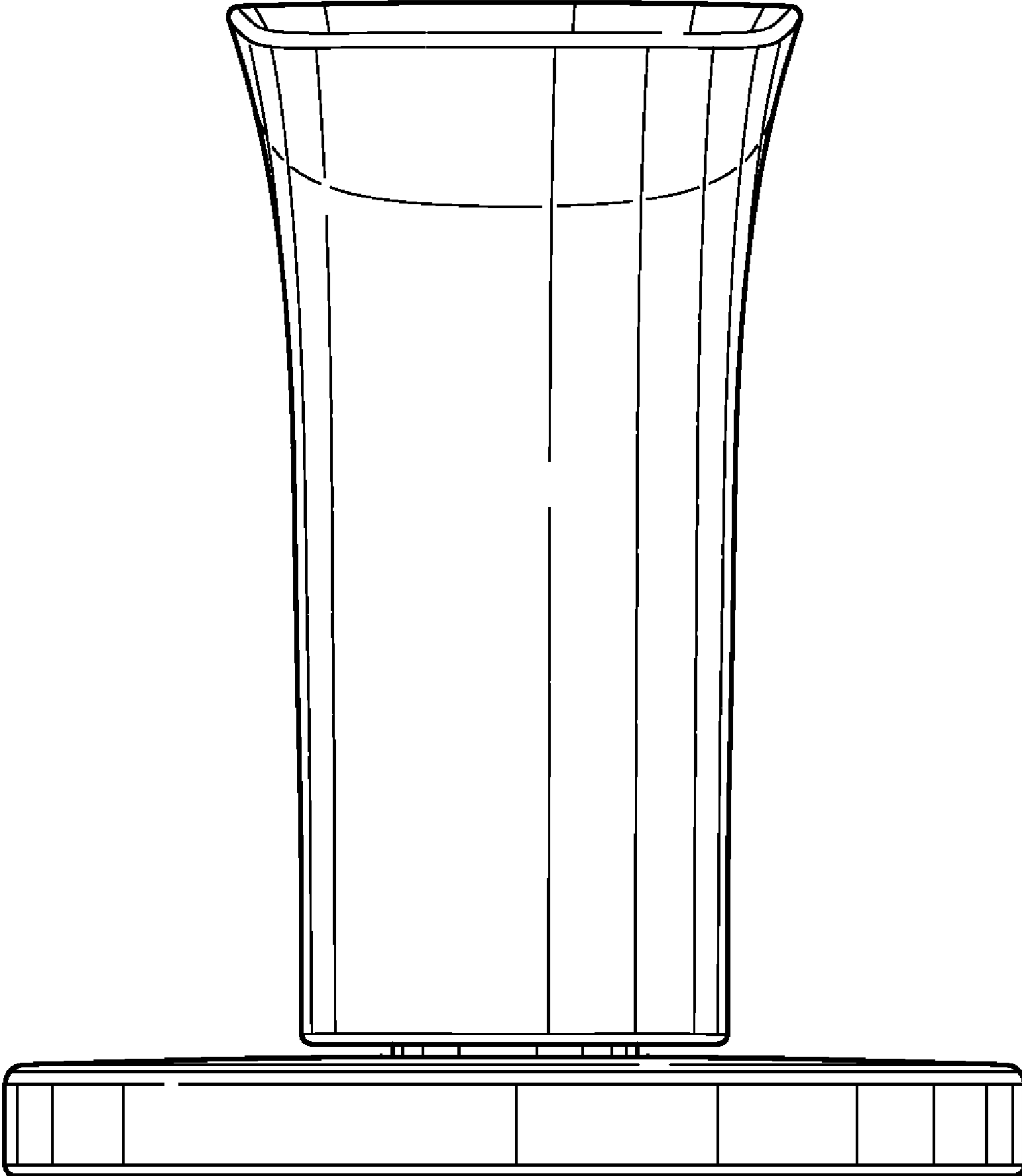


FIG. 2

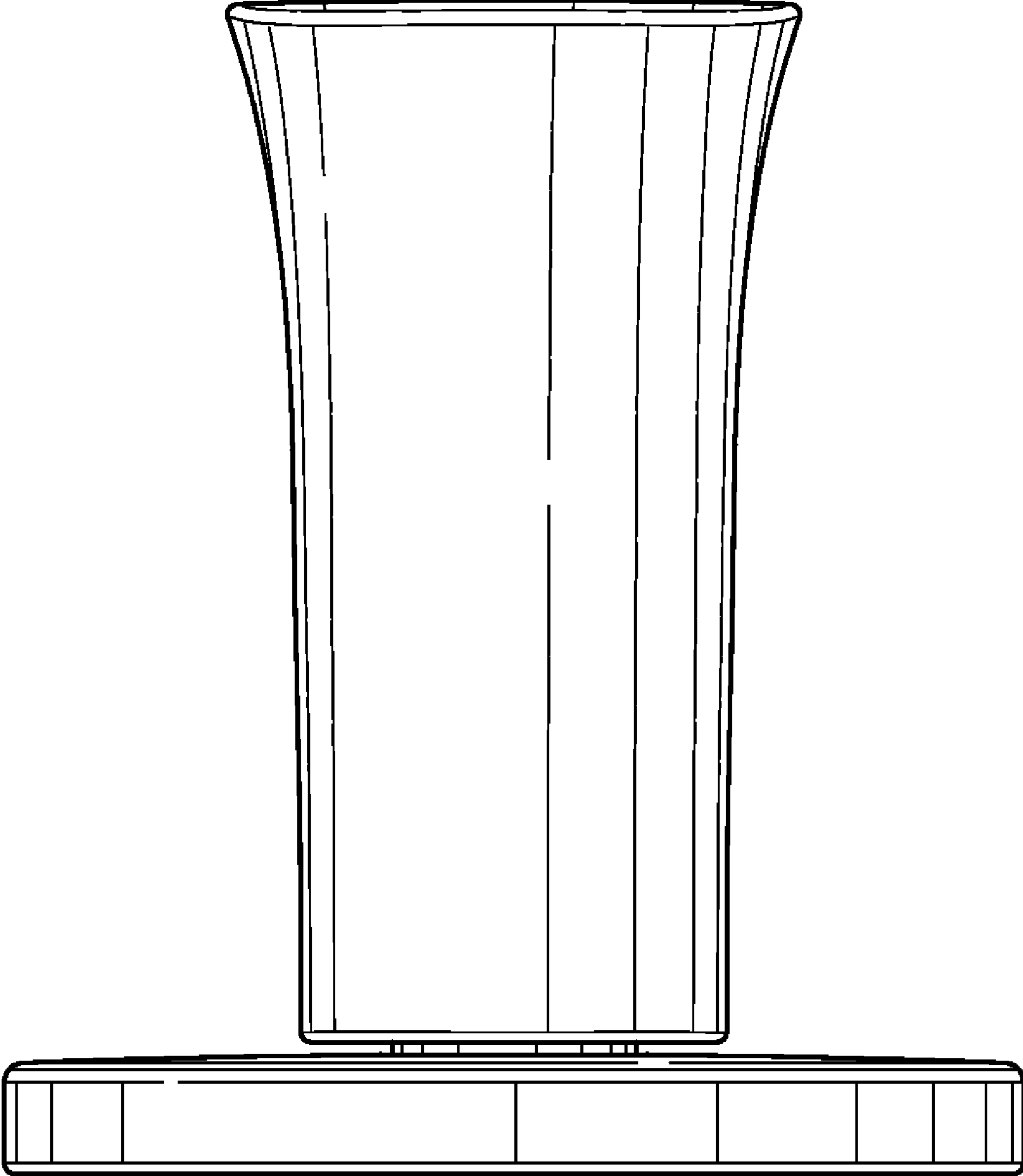


FIG. 3

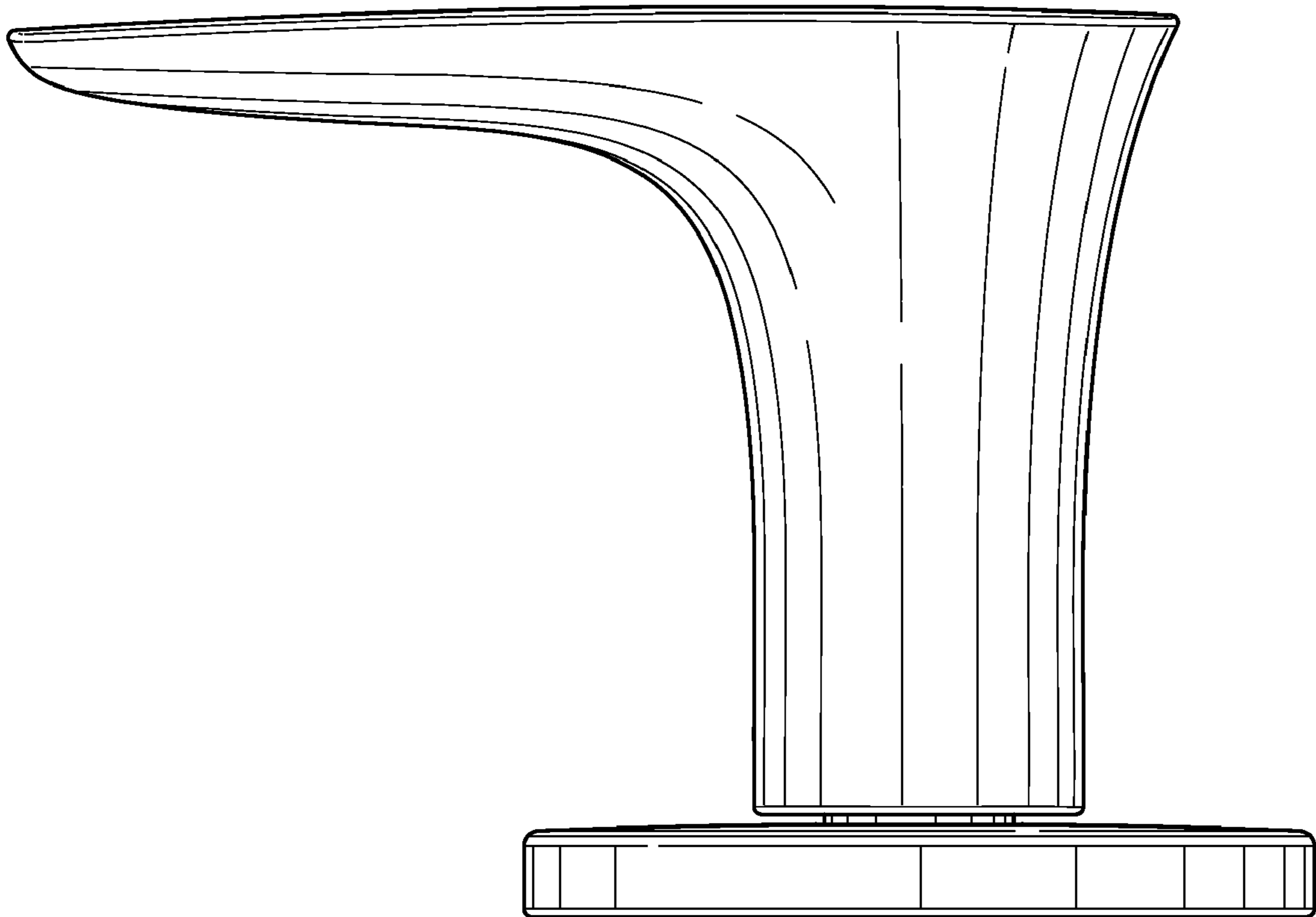


FIG. 4

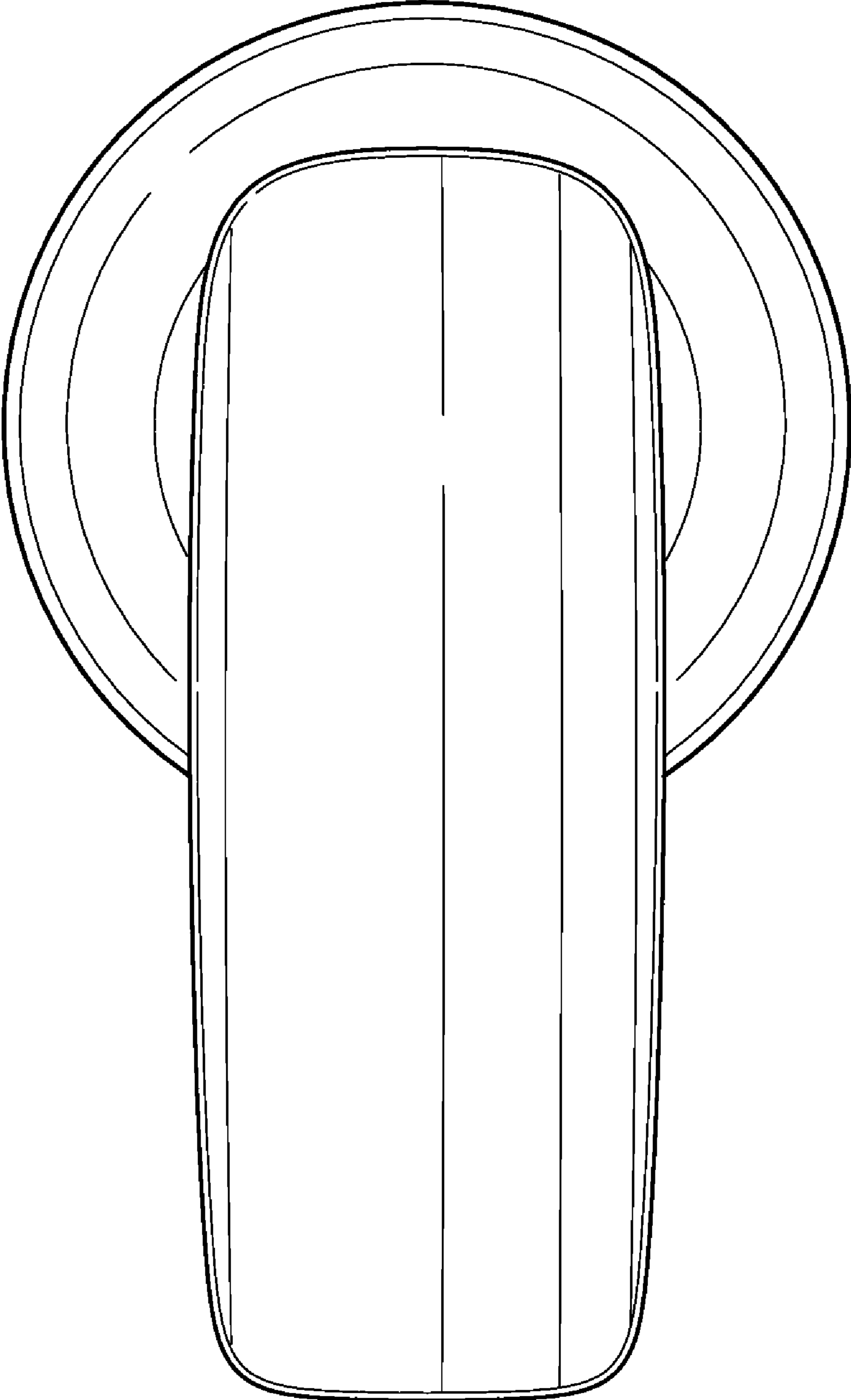


FIG. 5