



US00D608417S

(12) **United States Design Patent**  
**Rubin et al.**

(10) **Patent No.:** **US D608,417 S**  
(45) **Date of Patent:** **\*\* Jan. 19, 2010**

(54) **PLUMBING FITTING**

- (75) Inventors: **Leila M. Rubin**, Sheboygan, WI (US);  
**Herbert V. Kohler, Jr.**, Kohler, WI (US)
- (73) Assignee: **Kohler Co.**, Kohler, WI (US)
- (\*\*) Term: **14 Years**
- (21) Appl. No.: **29/335,103**
- (22) Filed: **Apr. 8, 2009**

**Related U.S. Application Data**

- (62) Division of application No. 29/318,408, filed on May 20, 2008, now Pat. No. Des. 591,404.

- (51) **LOC (9) Cl.** ..... **23-01**
- (52) **U.S. Cl.** ..... **D23/238; D23/255**
- (58) **Field of Classification Search** ..... **D23/200,**  
**D23/238-257; 4/675-678; 137/801**  
See application file for complete search history.

(56) **References Cited**

**U.S. PATENT DOCUMENTS**

|            |   |         |                |       |         |
|------------|---|---------|----------------|-------|---------|
| D364,211 S | * | 11/1995 | Hill et al.    | ..... | D23/238 |
| D364,212 S | * | 11/1995 | Hill et al.    | ..... | D23/238 |
| D365,142 S | * | 12/1995 | Hill et al.    | ..... | D23/255 |
| D367,699 S |   | 3/1996  | Hill et al.    |       |         |
| D368,956 S | * | 4/1996  | Haug et al.    | ..... | D23/238 |
| D388,158 S |   | 12/1997 | Doughty et al. |       |         |
| D411,875 S |   | 7/1999  | Lord           |       |         |
| D413,161 S |   | 8/1999  | Lord           |       |         |
| D416,078 S |   | 11/1999 | Lord           |       |         |
| D418,206 S |   | 12/1999 | Lord           |       |         |
| D418,586 S |   | 1/2000  | Lord           |       |         |
| D419,651 S |   | 1/2000  | Lord           |       |         |

(Continued)

**FOREIGN PATENT DOCUMENTS**

|    |                |        |
|----|----------------|--------|
| EM | 000248018-0002 | 2/2005 |
| RU | 39577          | 5/1994 |

**OTHER PUBLICATIONS**

Danze. "Melrose Kitchen Faucet Stainless Steel 16" Spout Height. Model No. D457015SS (former Model No. 4570-15-SS). HomeCenter.com online catalog. Copyright © 2006, 2008 HomeCenter.com.

(Continued)

*Primary Examiner*—T. Chase Nelson  
*Assistant Examiner*—Mark Cavanna  
(74) *Attorney, Agent, or Firm*—Quarles & Brady LLP

(57) **CLAIM**

The ornamental design for a plumbing fitting, as shown and described.

**DESCRIPTION**

In a preferred embodiment, the nature of this product is as a plumbing fitting in the form of a faucet with a movable spray head usable to wash various items and/or body parts, as well as a handle and a spray head therefor.

FIG. 1 is a right, top, front perspective view of a plumbing fitting embodying our new design;

FIG. 2 is a front elevational view thereof;

FIG. 3 is a right side elevational view thereof;

FIG. 4 is a left side elevational view thereof;

FIG. 5 is a rear elevational view thereof;

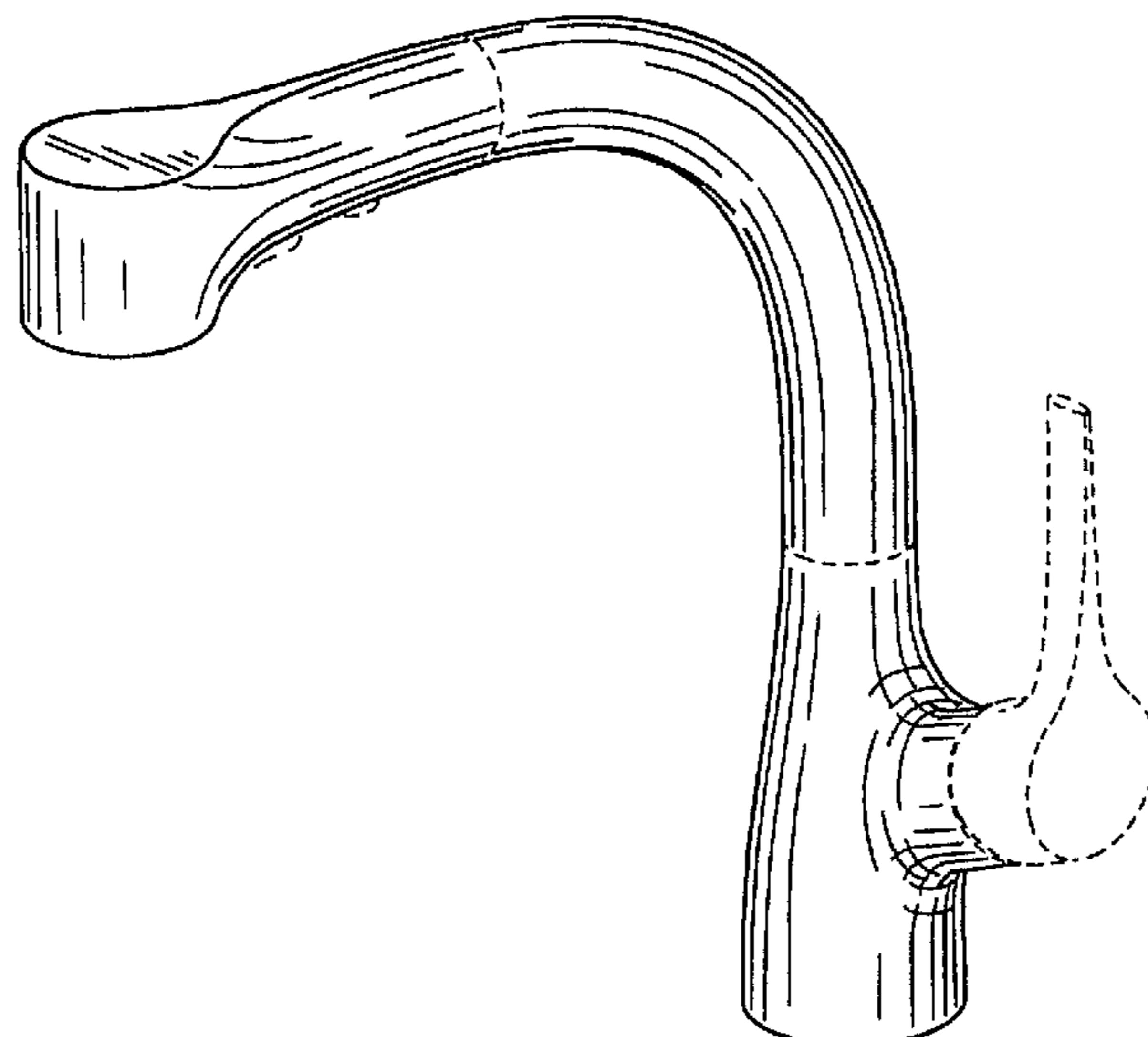
FIG. 6 is a top plan view thereof;

FIG. 7 is a bottom plan view thereof; and,

FIG. 8 is a left, top, front perspective view of a plumbing fitting according to another embodiment of our new design, the front, right side, left side and rear elevational views thereof, and the top and bottom plan views thereof, being mirror images of the views shown in respective FIGS. 2-7.

The broken line representations in the figures are for the purpose of illustration only, and form no part of the claimed design.

**1 Claim, 6 Drawing Sheets**



# US D608,417 S

Page 2

---

## U.S. PATENT DOCUMENTS

D420,725 S 2/2000 Lord  
D421,790 S 3/2000 Lord  
D443,337 S 6/2001 Mark et al.  
D467,995 S 12/2002 Lord  
D487,798 S \* 3/2004 Bayer ..... D23/238  
D528,634 S \* 9/2006 Nadler et al. .... D23/238  
D529,132 S \* 9/2006 Haug et al. .... D23/255  
D530,785 S 10/2006 Rexach et al.  
D537,146 S \* 2/2007 Hanna ..... D23/238  
D539,388 S \* 3/2007 Haug et al. .... D23/238  
D571,438 S \* 6/2008 Gilbert ..... D23/249  
D573,698 S \* 7/2008 Downey ..... D23/257

D574,469 S \* 8/2008 Soriano ..... D23/255

## OTHER PUBLICATIONS

Blanco-Merkur. Merkur Plus Series. Model No. 157073PST. Amazon.com online catalog. Copyright 1996-2008 Amazon.com, Inc. Or its affiliates.

Kohler Co. "Clairette Kitchen Faucet Brushed Nickel". Model No. 692-BN. HomeCenter.com online catalog. Copyright © 2006, 2008 HomeCenter.com.

Kohler Co. "Evoke Single-Control Pullout Kitchen Faucet". Model No. K-6331. Kohler Co. online catalog. Copyright 2008 Kohler Co.

\* cited by examiner

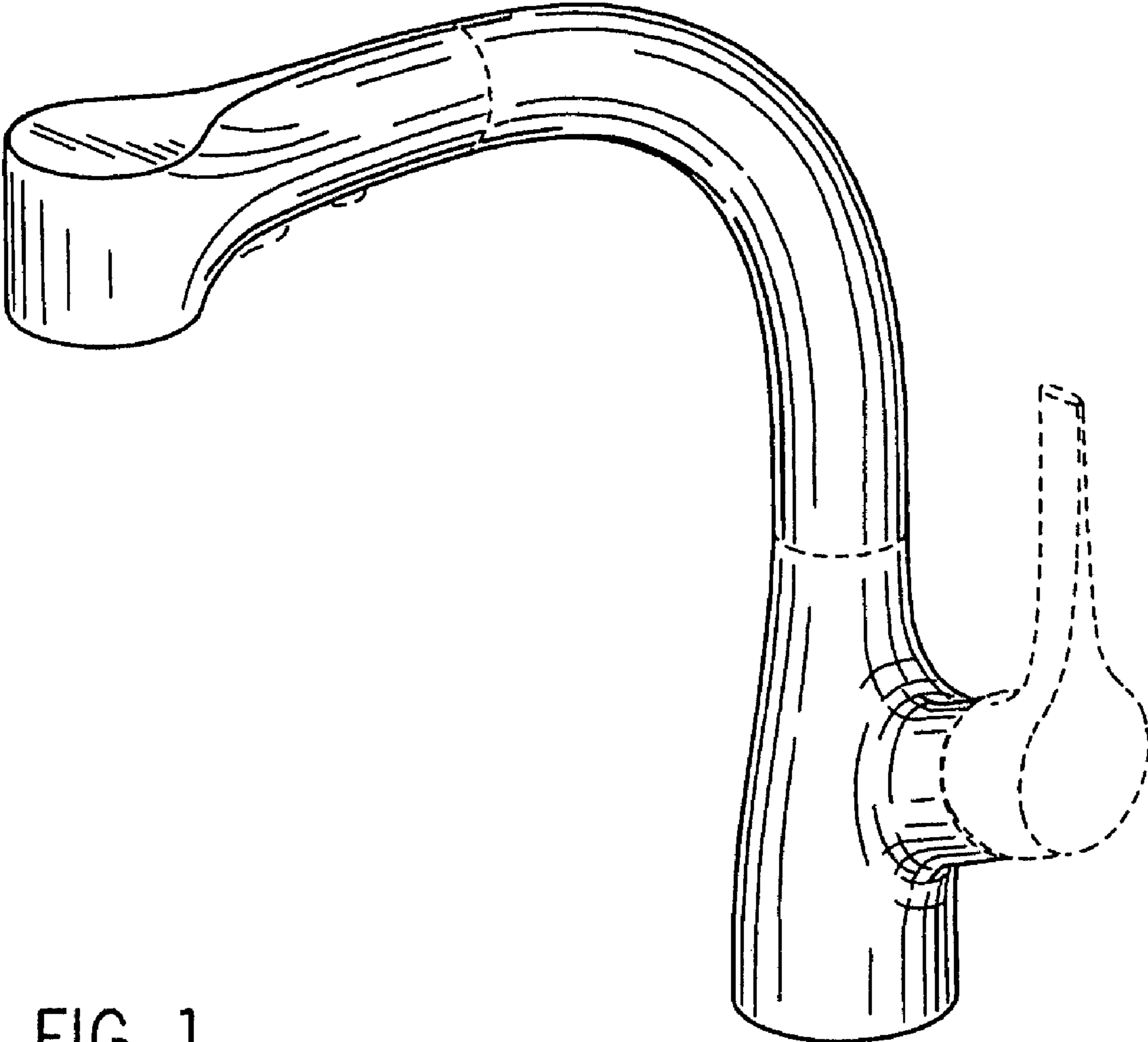


FIG. 1

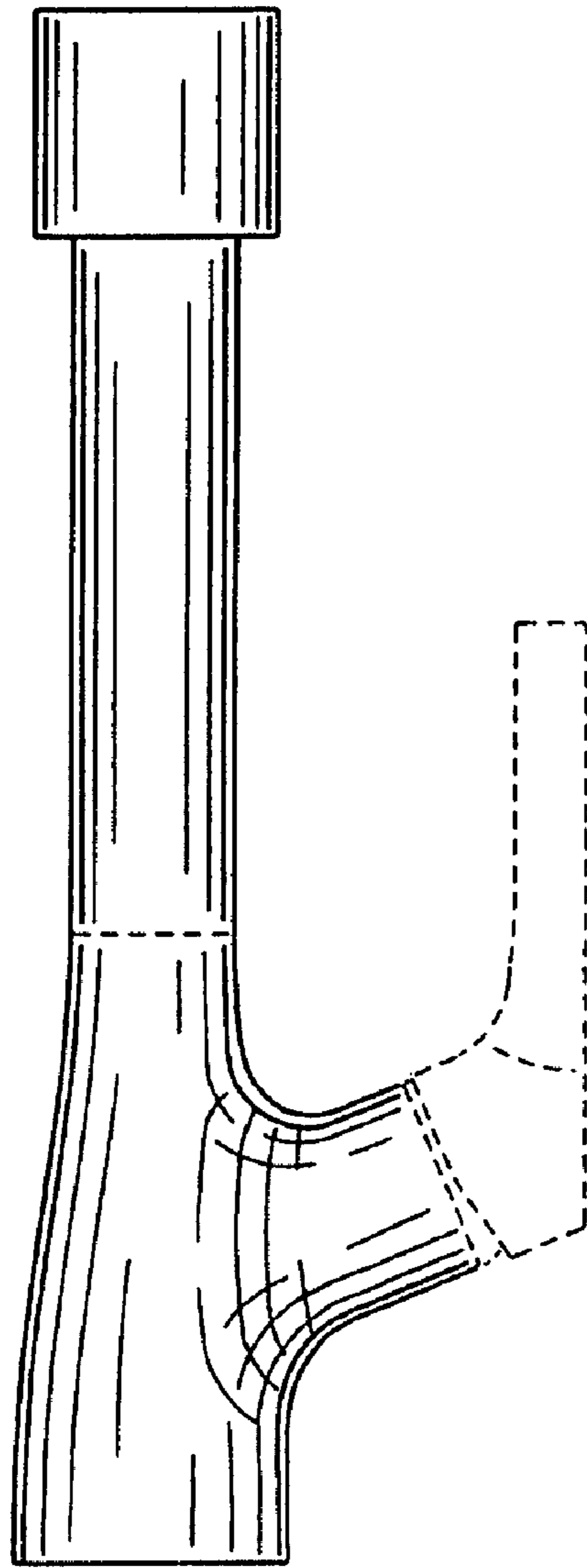


FIG. 2

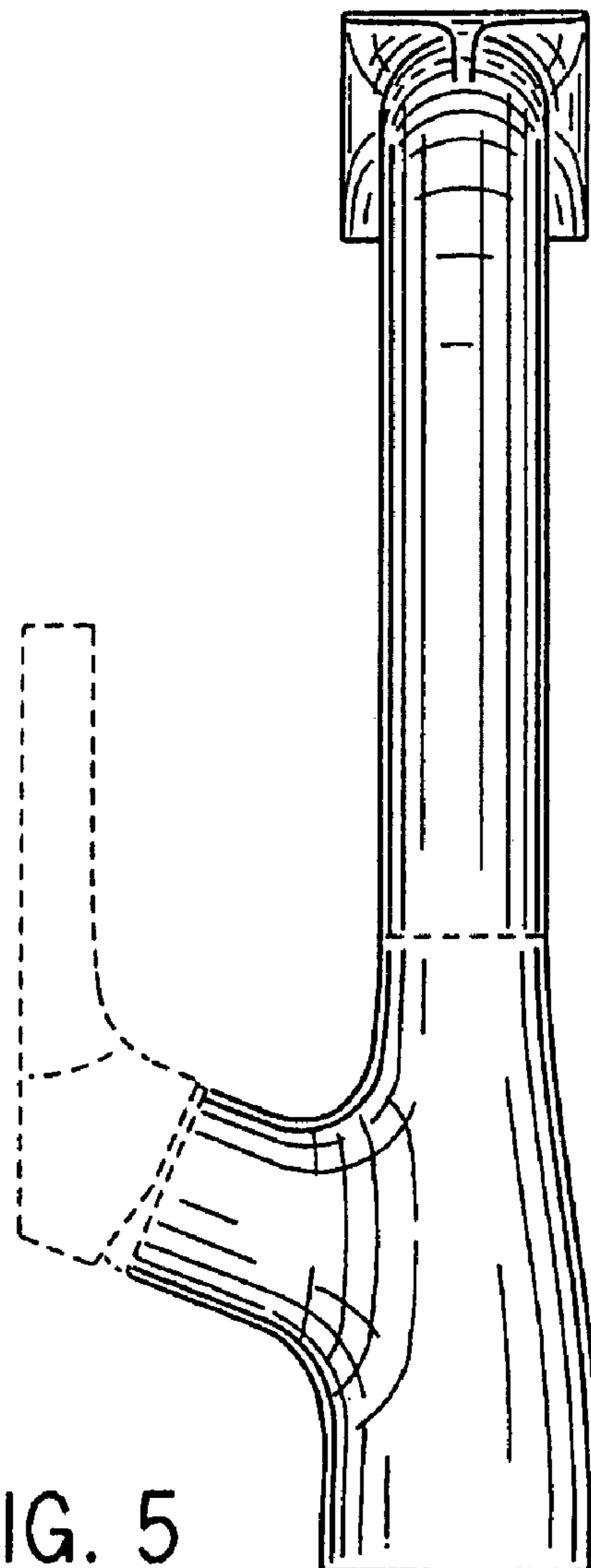


FIG. 5

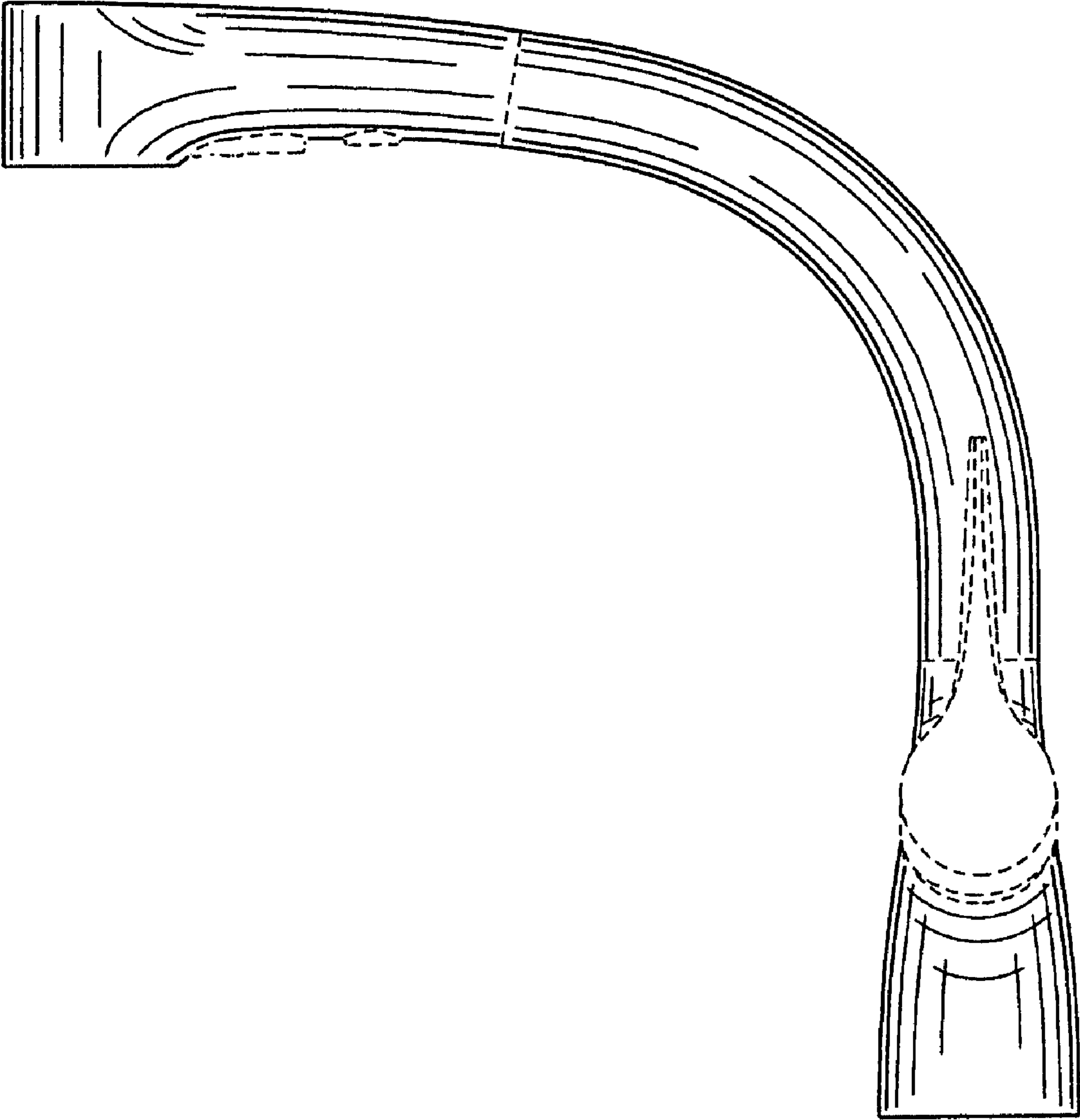


FIG. 3

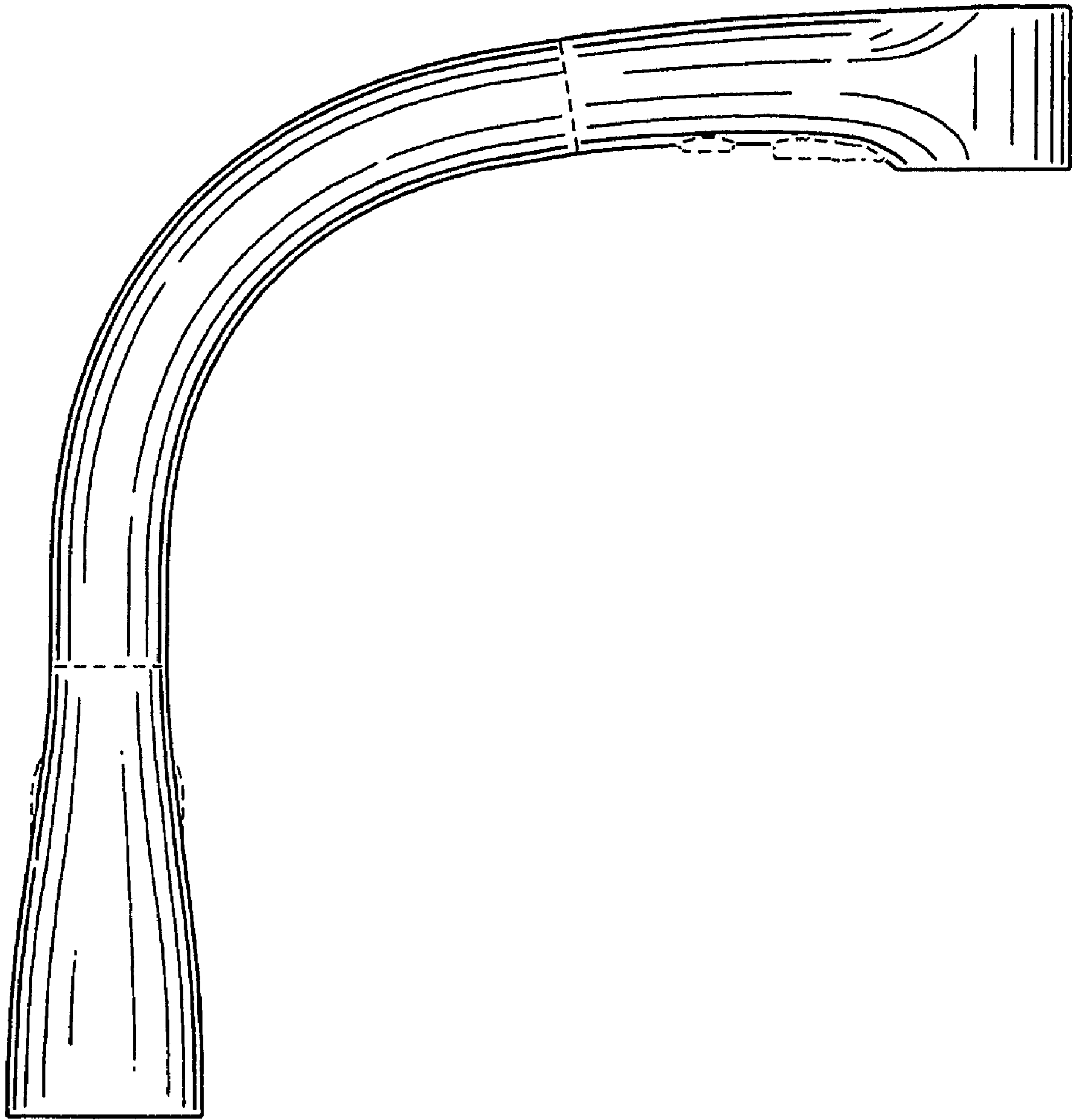


FIG. 4

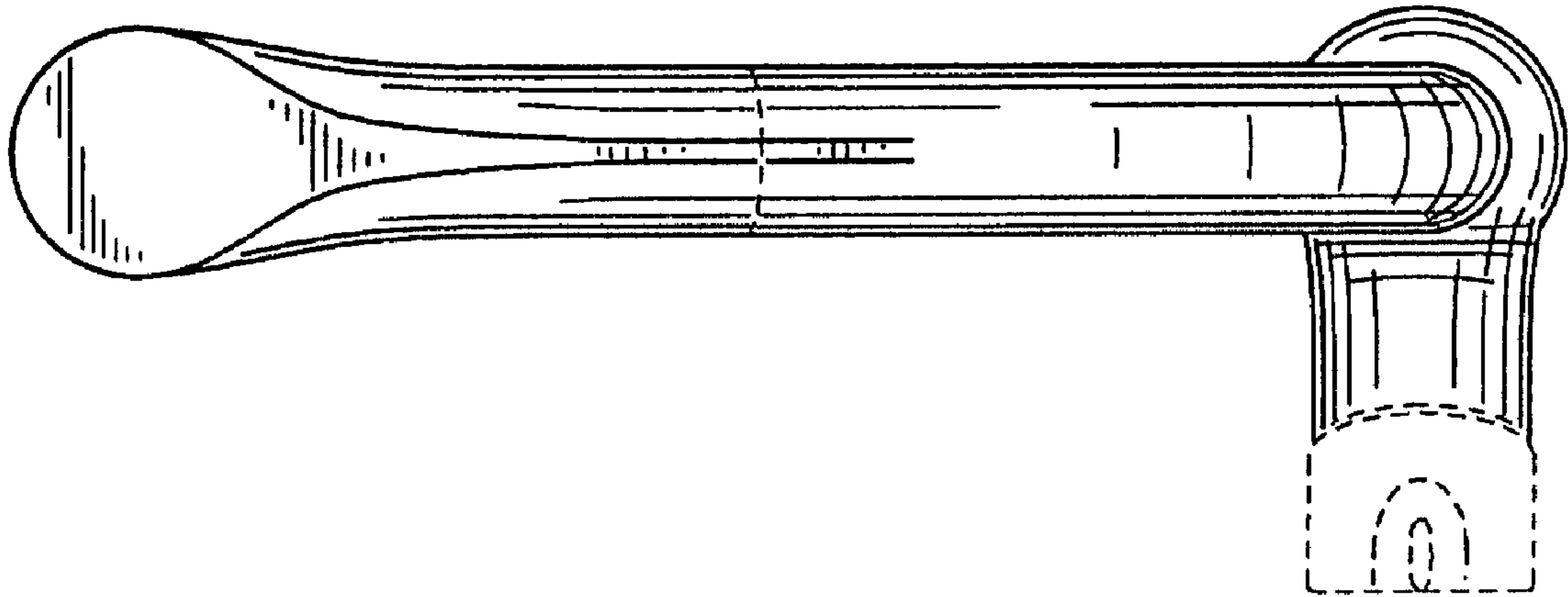


FIG. 6

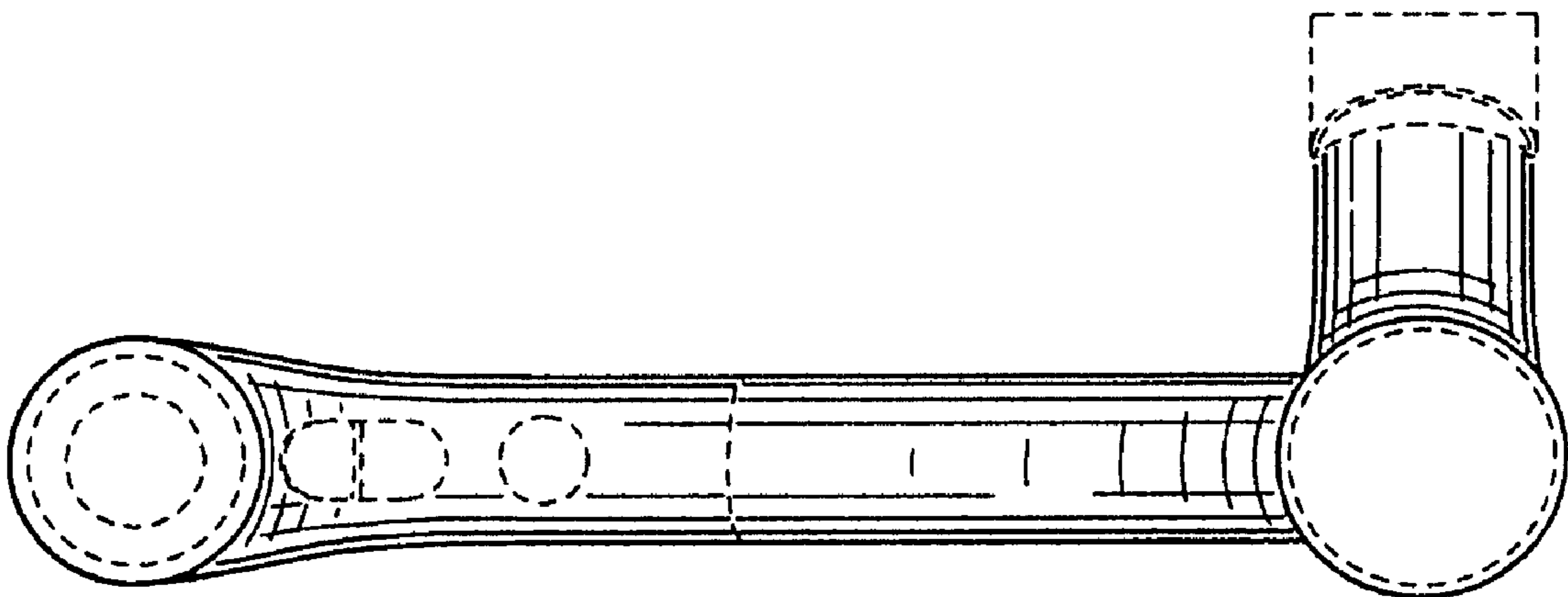


FIG. 7

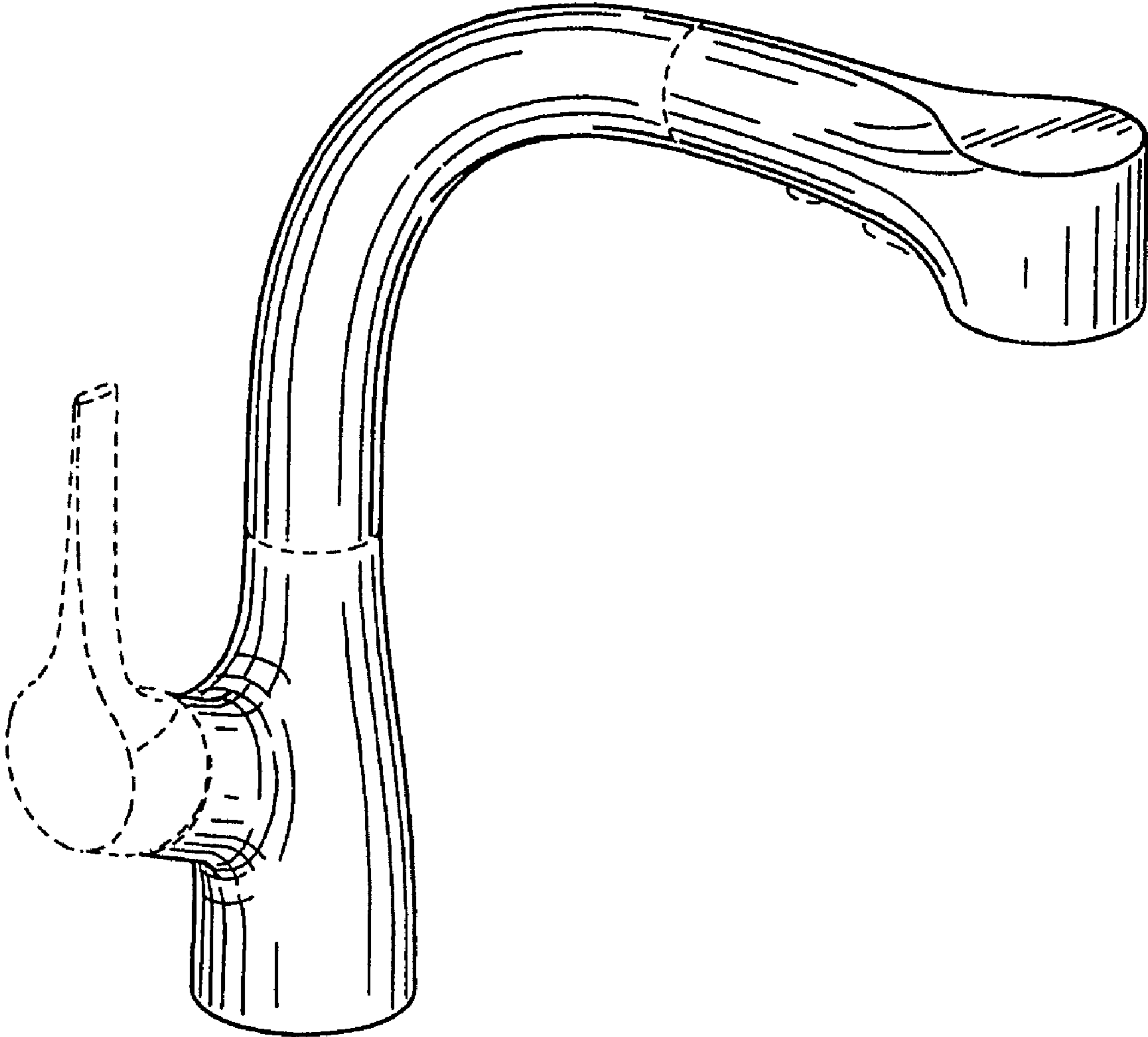


FIG. 8