



US00D608414S

(12) **United States Design Patent**
Legatt et al.

(10) **Patent No.:** **US D608,414 S**
(45) **Date of Patent:** **** Jan. 19, 2010**

(54) **AIRLESS PAINT SPRAYER**

(75) Inventors: **August F. Legatt**, Maple Lake, MN (US); **Andrew J. Kopel**, Stanchfield, MN (US); **Jason P. Iverson**, Monticello, MN (US); **Paul G. Barney**, Maple Grove, MN (US); **Bradley H. Hines**, Andover, MN (US)

(73) Assignee: **Graco Minnesota Inc.**, Minneapolis, MN (US)

(**) Term: **14 Years**

(21) Appl. No.: **29/330,107**

(22) Filed: **Dec. 29, 2008**

(51) **LOC (9) Cl.** **23-01**
(52) **U.S. Cl.** **D23/225**
(58) **Field of Classification Search** D23/213,
D23/225; 239/332, 333, 302, 308, 146, 147,
239/150; 401/48

See application file for complete search history.

(56) **References Cited**

U.S. PATENT DOCUMENTS

D306,477 S * 3/1990 Weiss D23/225

D526,045 S * 8/2006 Gundersen et al. D23/225
D580,515 S * 11/2008 Wrobel et al. D23/225
D580,516 S * 11/2008 Mattson et al. D23/225
D580,517 S * 11/2008 Mattson et al. D23/225
7,497,389 B2 * 3/2009 Rioux 239/332

* cited by examiner

Primary Examiner—Robin V Webster

(74) *Attorney, Agent, or Firm*—Douglas B. Farrow

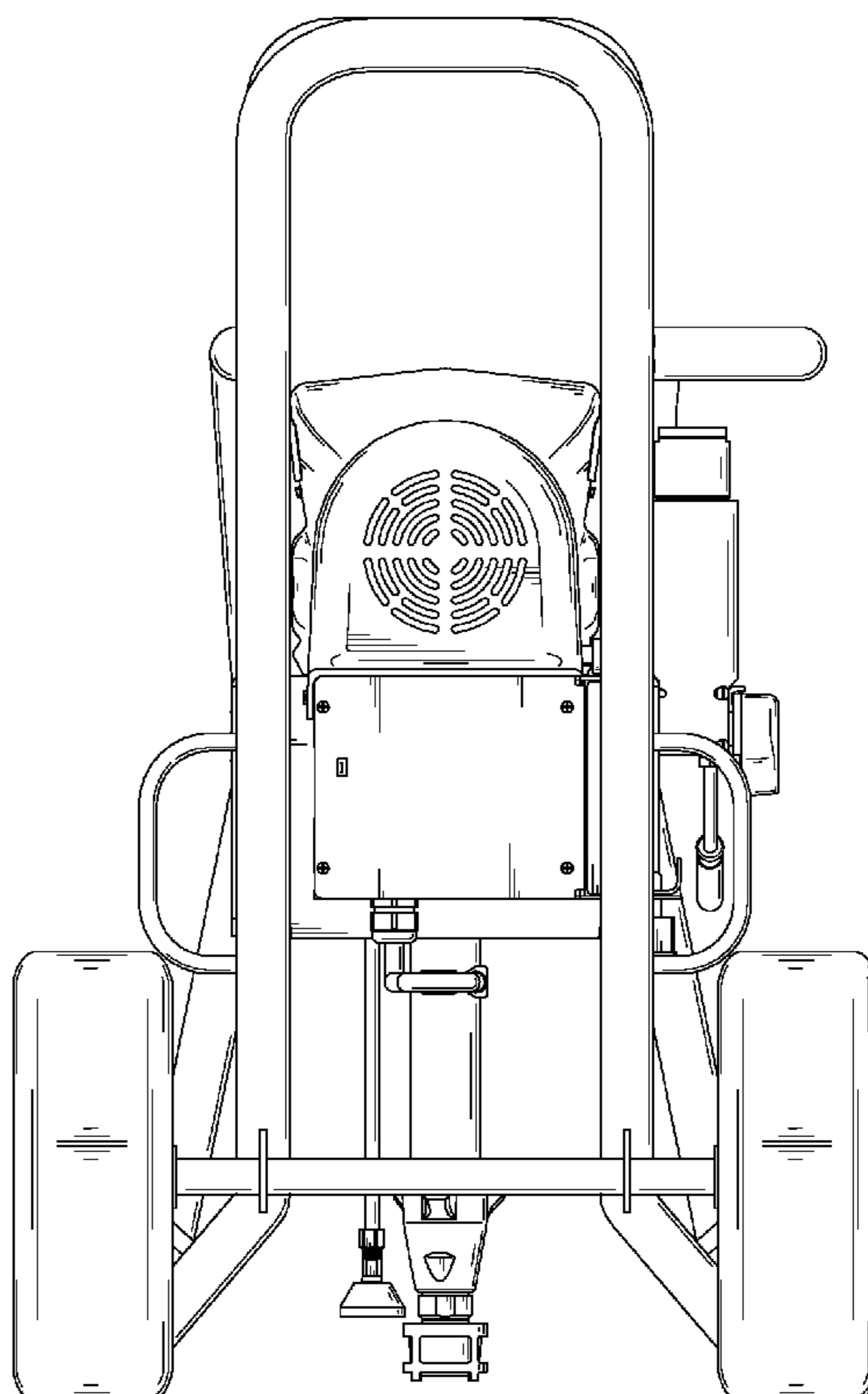
(57) **CLAIM**

The ornamental design for the airless paint sprayer, as shown and described.

DESCRIPTION

FIG. 1 is a front elevation view of the airless paint sprayer;
FIG. 2 is a front perspective view thereof;
FIG. 3 is a top elevation view thereof;
FIG. 4 is a left side elevation view thereof;
FIG. 5 is a right side elevation view thereof;
FIG. 6 is a bottom elevation view thereof; and,
FIG. 7 is a rear elevation view thereof.

1 Claim, 7 Drawing Sheets



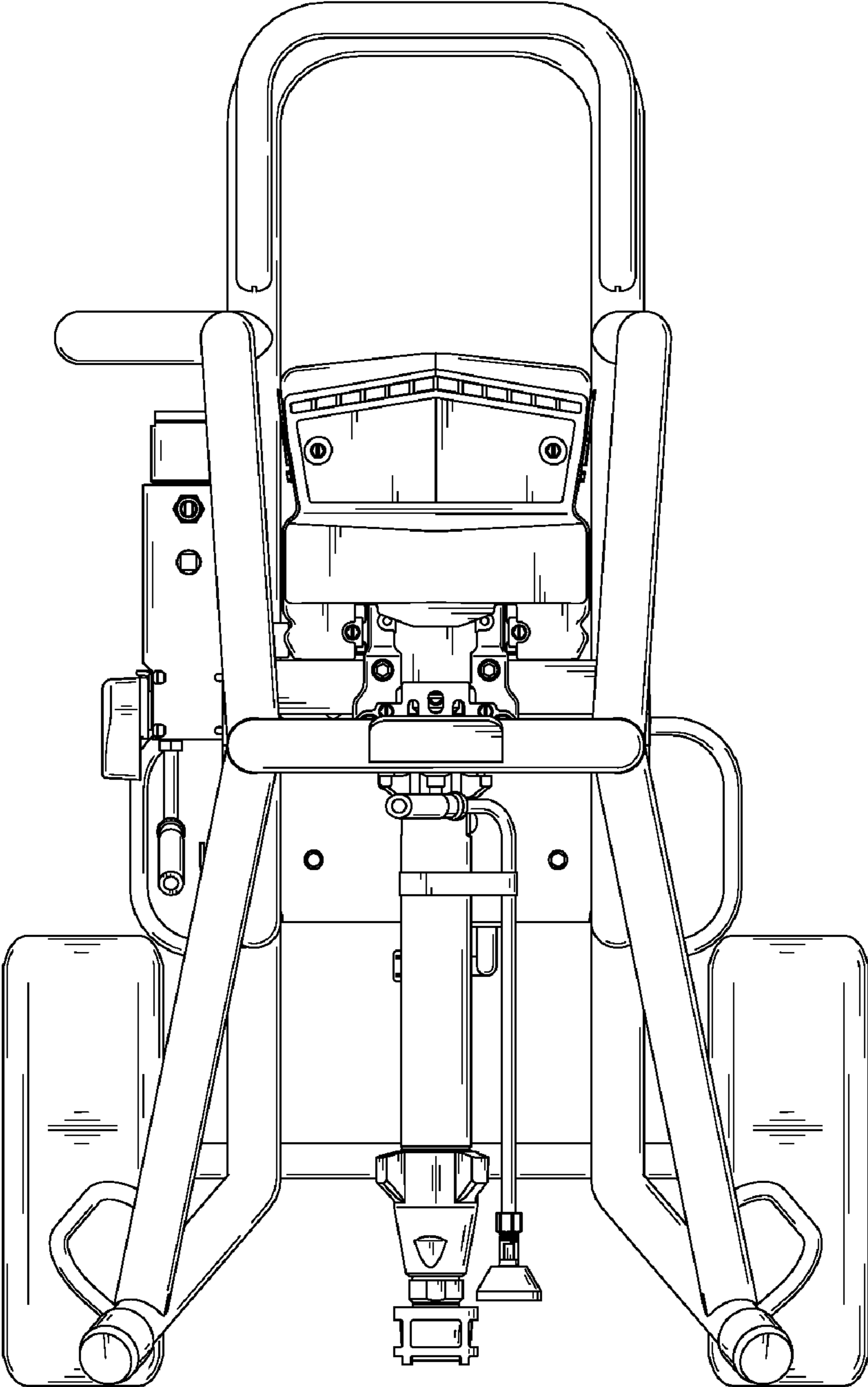


FIG. 1

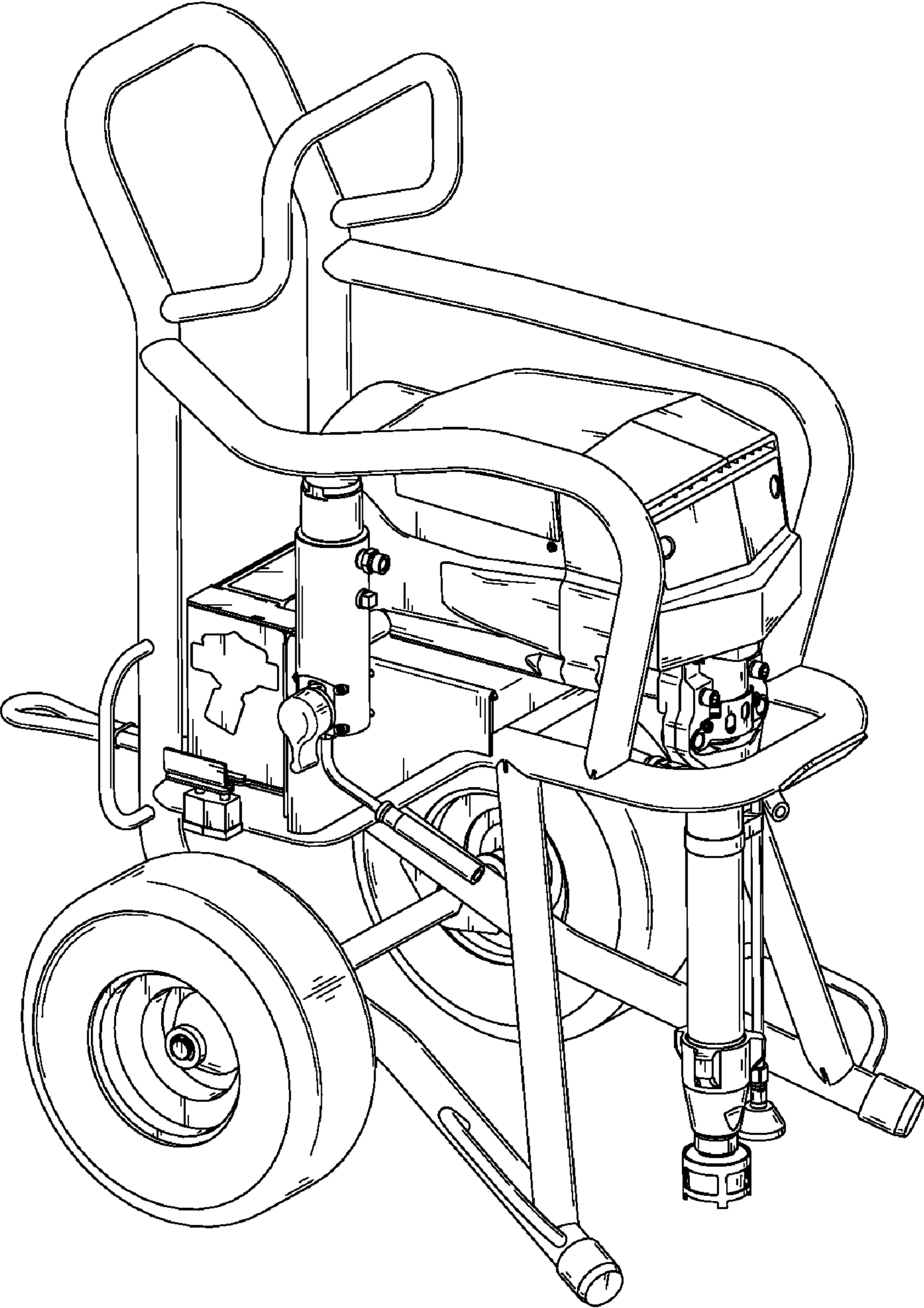


FIG. 2

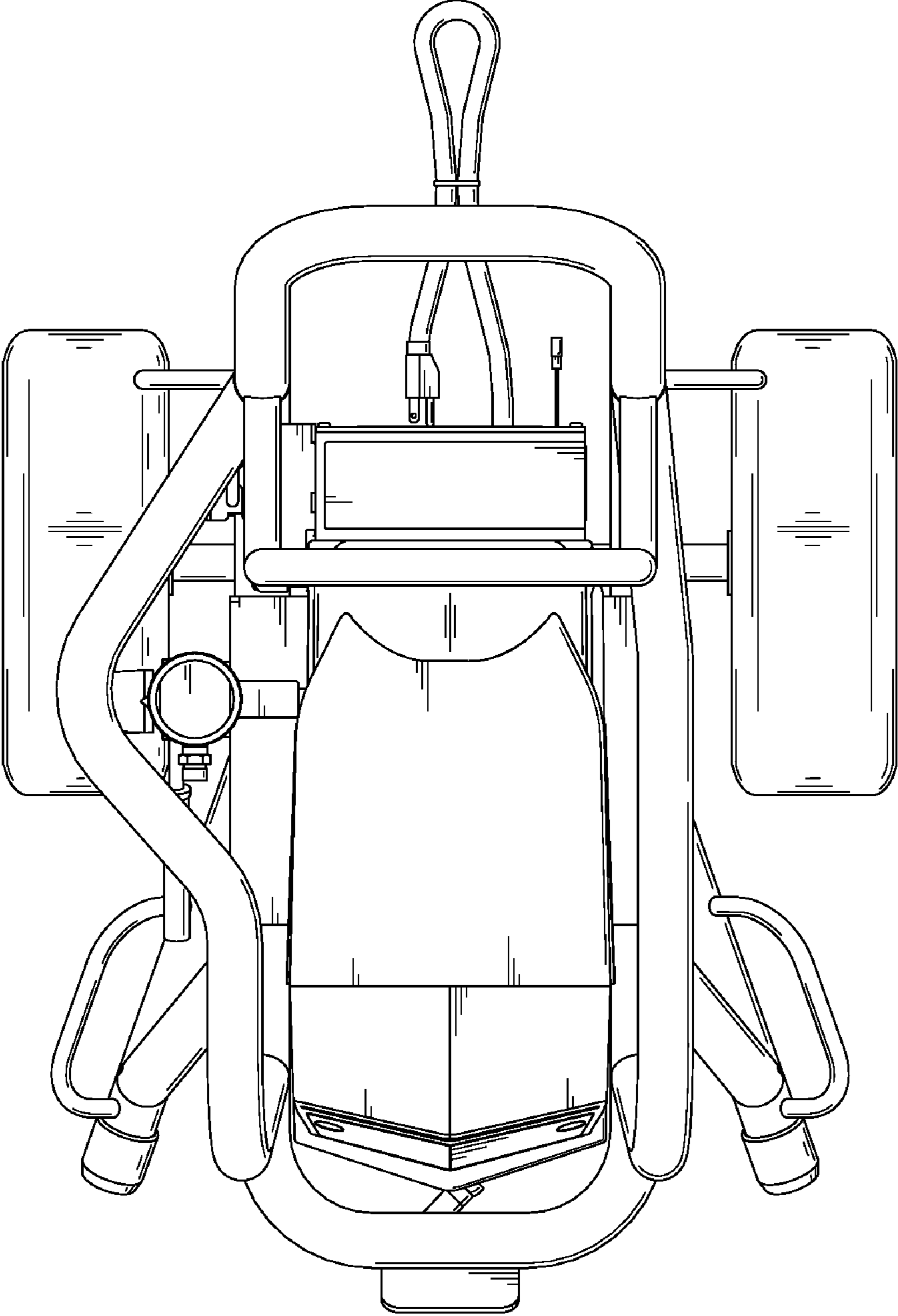


FIG. 3

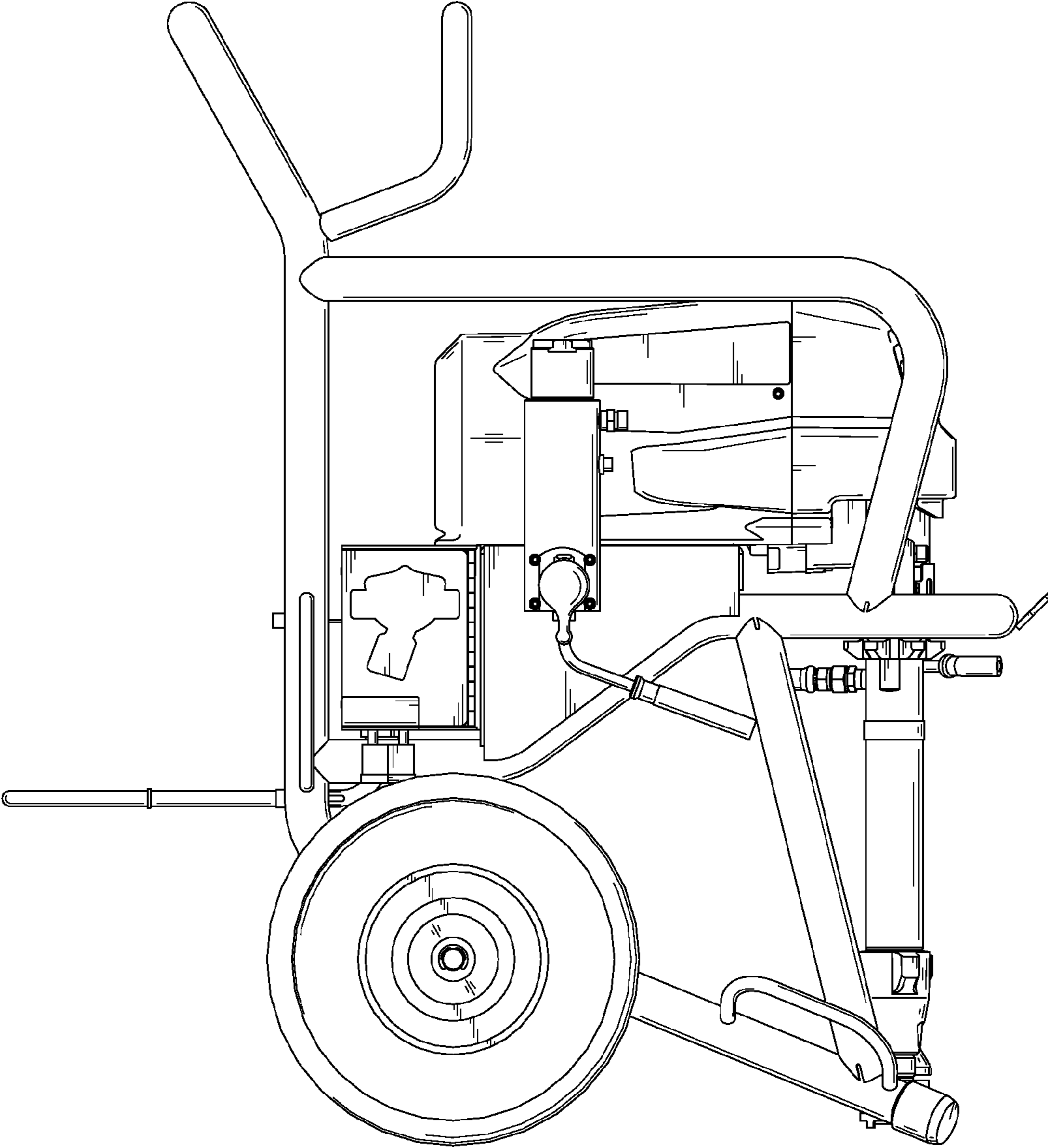


FIG. 4

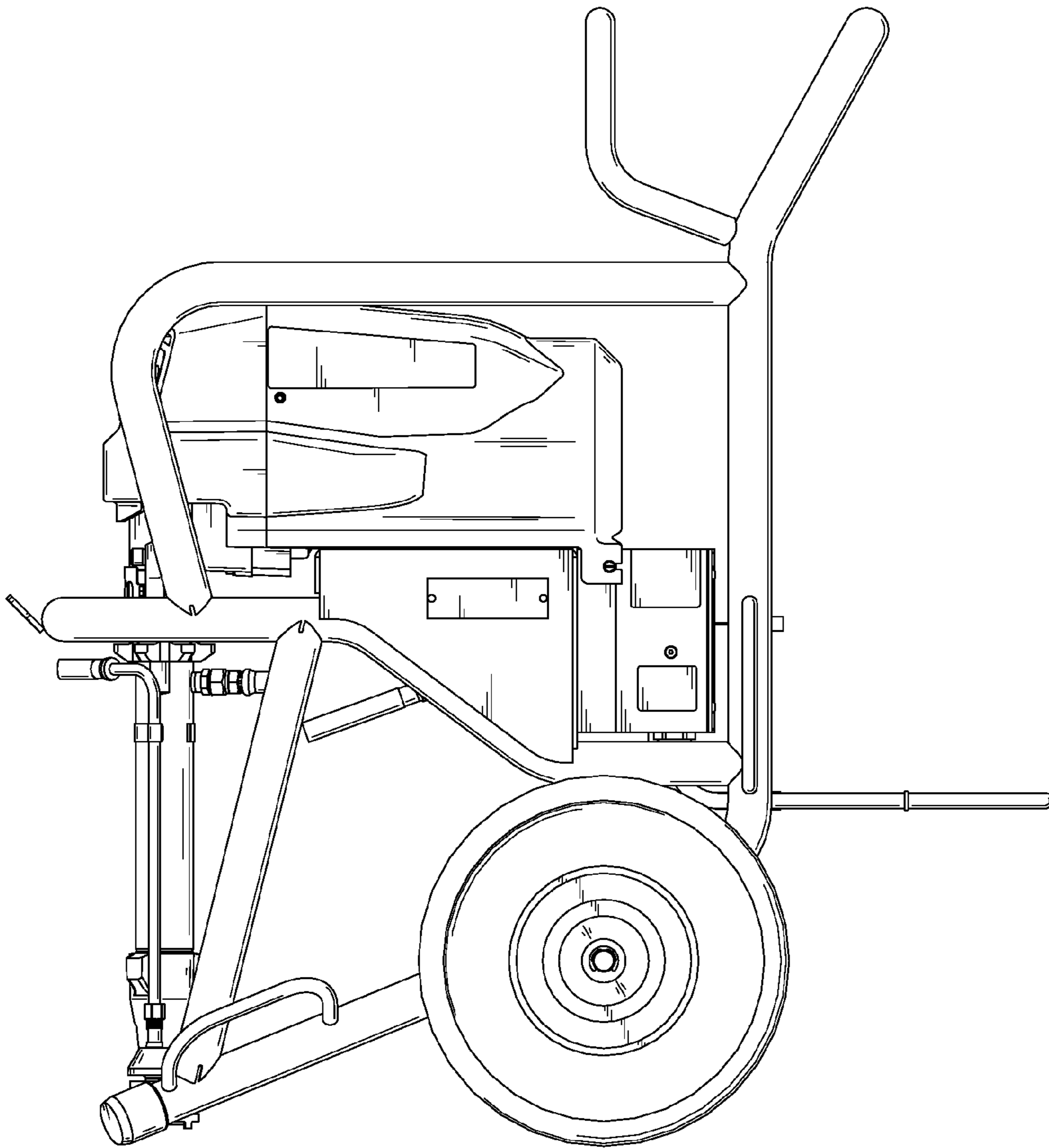


FIG. 5

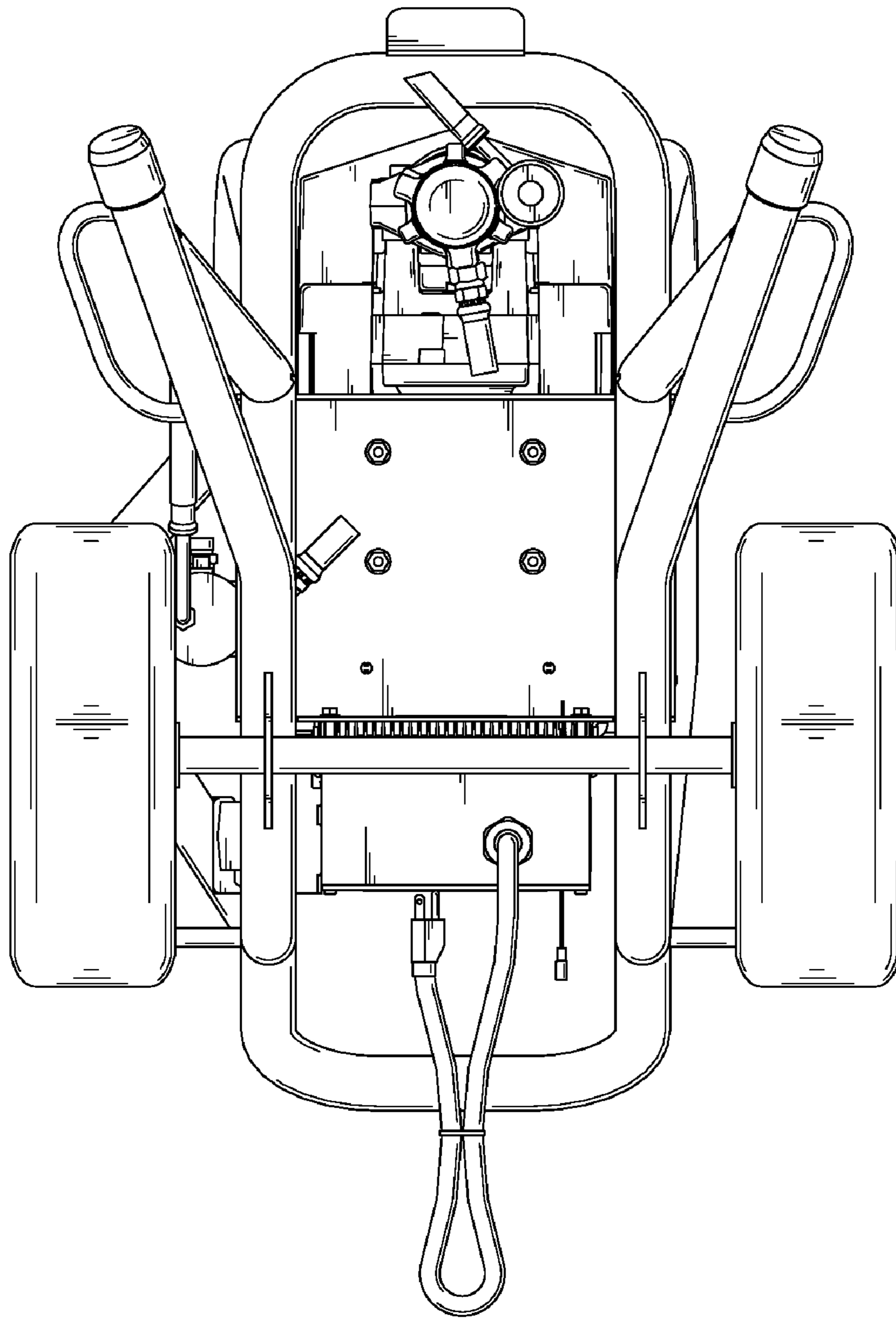


FIG. 6

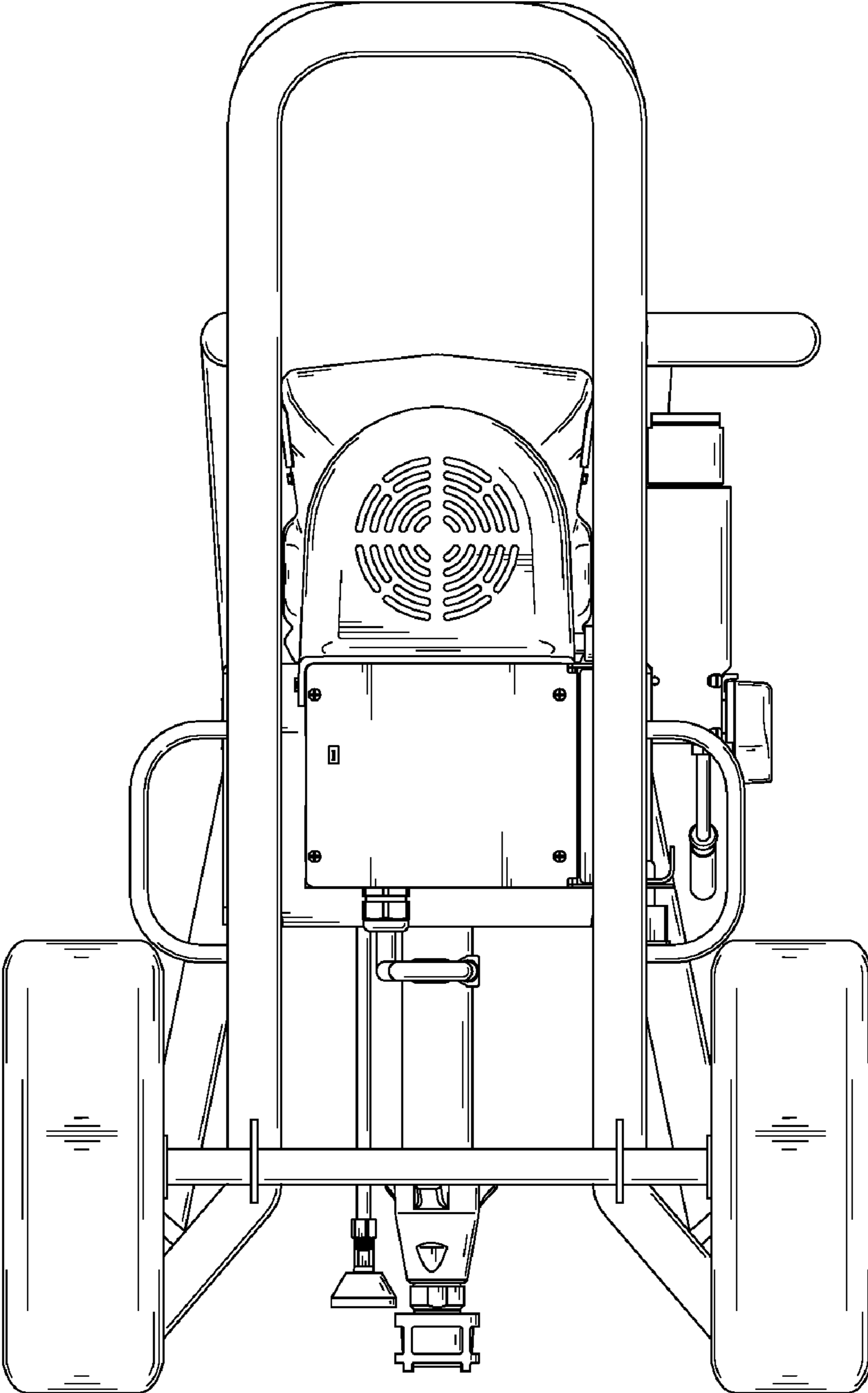


FIG. 7