



US00D608413S

(12) **United States Design Patent**
Barnard et al.

(10) **Patent No.:** **US D608,413 S**
(45) **Date of Patent:** **** Jan. 19, 2010**

(54) **SHOWERHEAD**

(75) Inventors: **Jennifer E. Barnard**, Godalming (GB);
Hsin-I Ciny Tsai, Sheboygan, WI (US)

(73) Assignee: **Kohler Co.**, Kohler, WI (US)

(**) Term: **14 Years**

(21) Appl. No.: **29/333,898**

(22) Filed: **Mar. 17, 2009**

(30) **Foreign Application Priority Data**

Sep. 17, 2008 (EM) 001004022-0001

(51) **LOC (9) Cl.** **23-01**

(52) **U.S. Cl.** **D23/223**

(58) **Field of Classification Search** D23/213,
D23/223, 226, 229-230; 239/282-283, 394;
4/615

See application file for complete search history.

(56) **References Cited**

U.S. PATENT DOCUMENTS

D326,311 S	*	5/1992	Lenci et al.	D23/223
D357,972 S	*	5/1995	Huen	D23/223
D564,067 S	*	3/2008	Lammel et al.	D23/223
D564,622 S	*	3/2008	Lammel et al.	D23/223
D566,231 S	*	4/2008	Lammel et al.	D23/223
D577,099 S	*	9/2008	Leber	D23/213

FOREIGN PATENT DOCUMENTS

WO WO2009/022112 2/2009

OTHER PUBLICATIONS

Voltage Valet. "Travel Immersion Water Heater—Dual Voltage". Amazon.com online catalog © 1996-2009. Amazon.com, Inc. or its affiliates.

* cited by examiner

Primary Examiner—Robin V Webster

(74) *Attorney, Agent, or Firm*—Quarles & Brady LLP

(57) **CLAIM**

The ornamental design for a showerhead, as shown and described.

DESCRIPTION

In a preferred embodiment, the nature of this product is a showerhead, such as a hand shower, primarily useful for washing the human body.

FIG. 1 is a right, top, front perspective view of a showerhead according to our new design;

FIG. 2 is a front elevational view thereof;

FIG. 3 is a rear elevational view thereof;

FIG. 4 is a right side elevational view thereof;

FIG. 5 is a left side elevational view thereof;

FIG. 6 is a top plan view thereof; and,

FIG. 7 is a bottom plan view thereof.

The broken line representations in the figures are for the purpose of illustration only, and form no part of the claimed design.

1 Claim, 4 Drawing Sheets

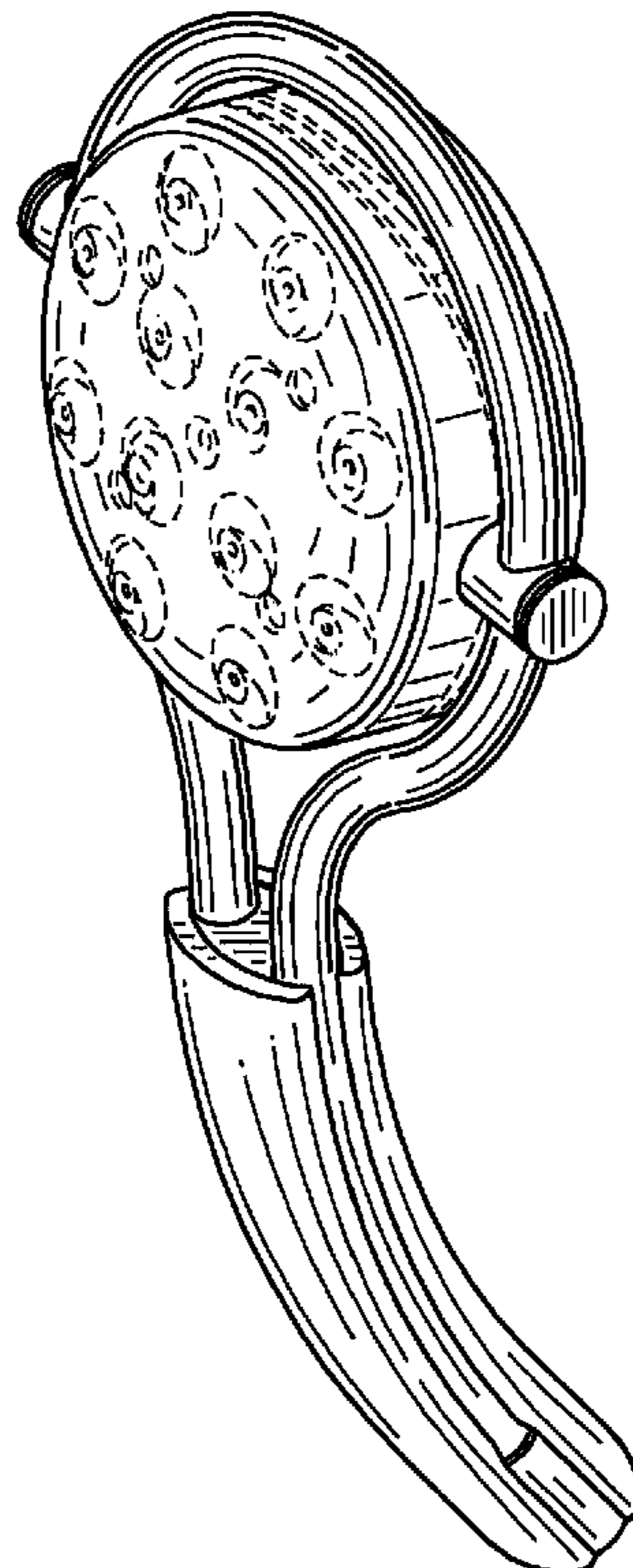


FIG. 1

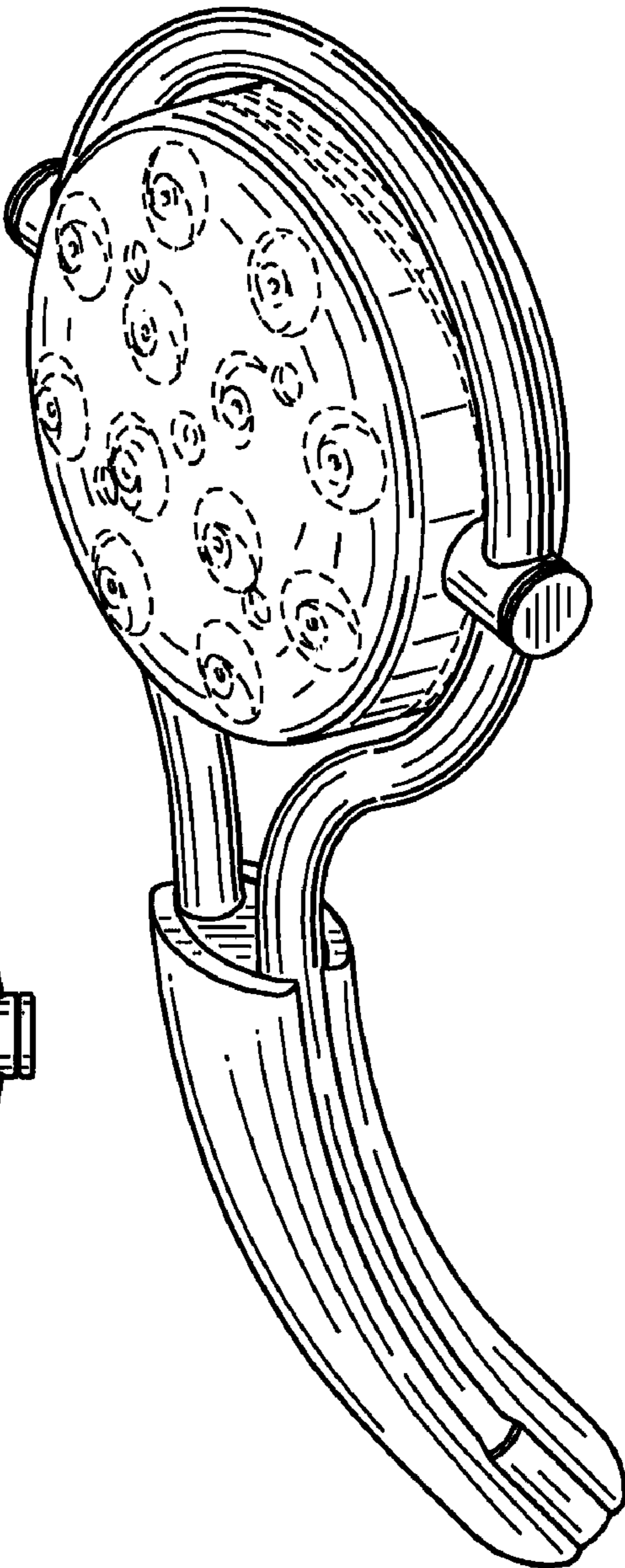
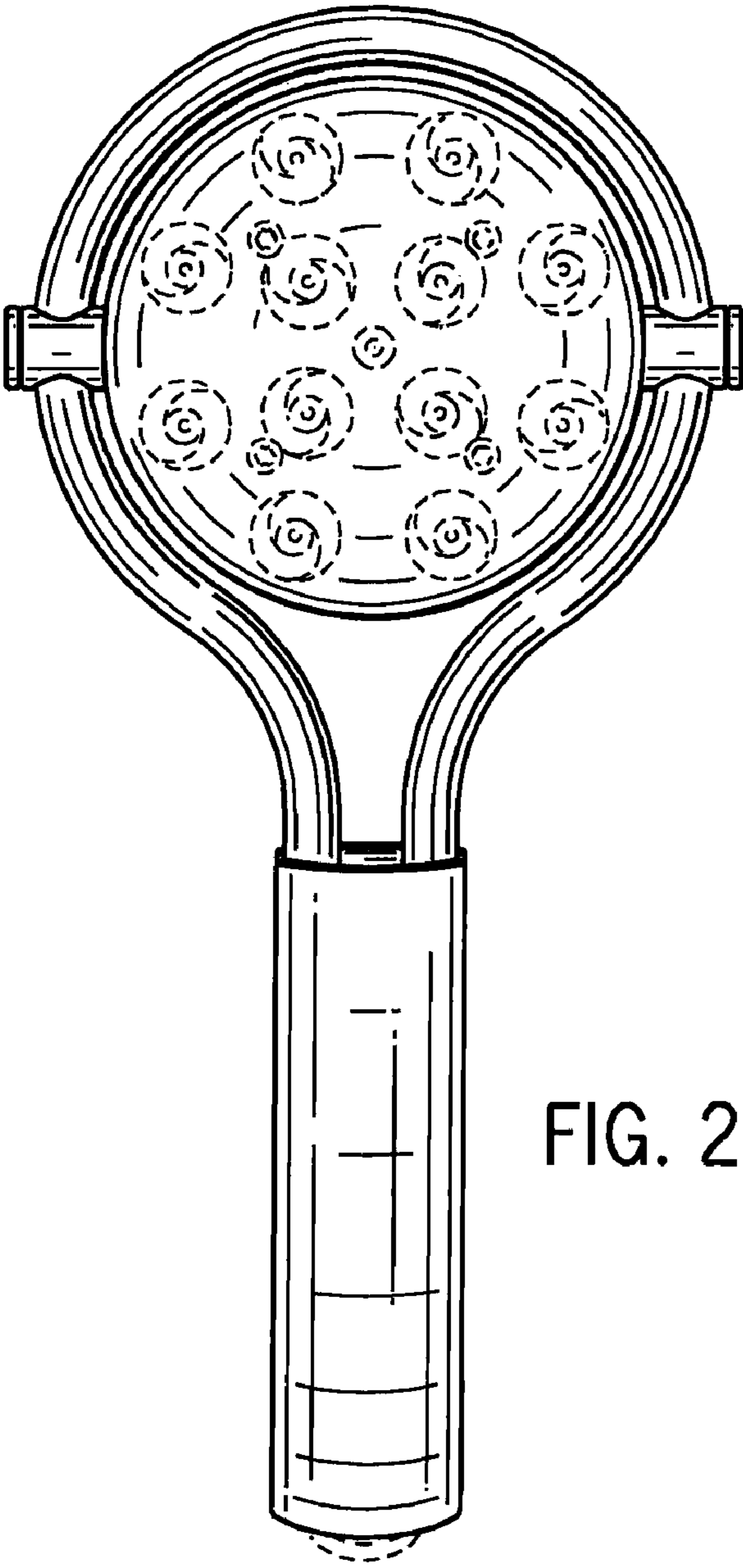


FIG. 2



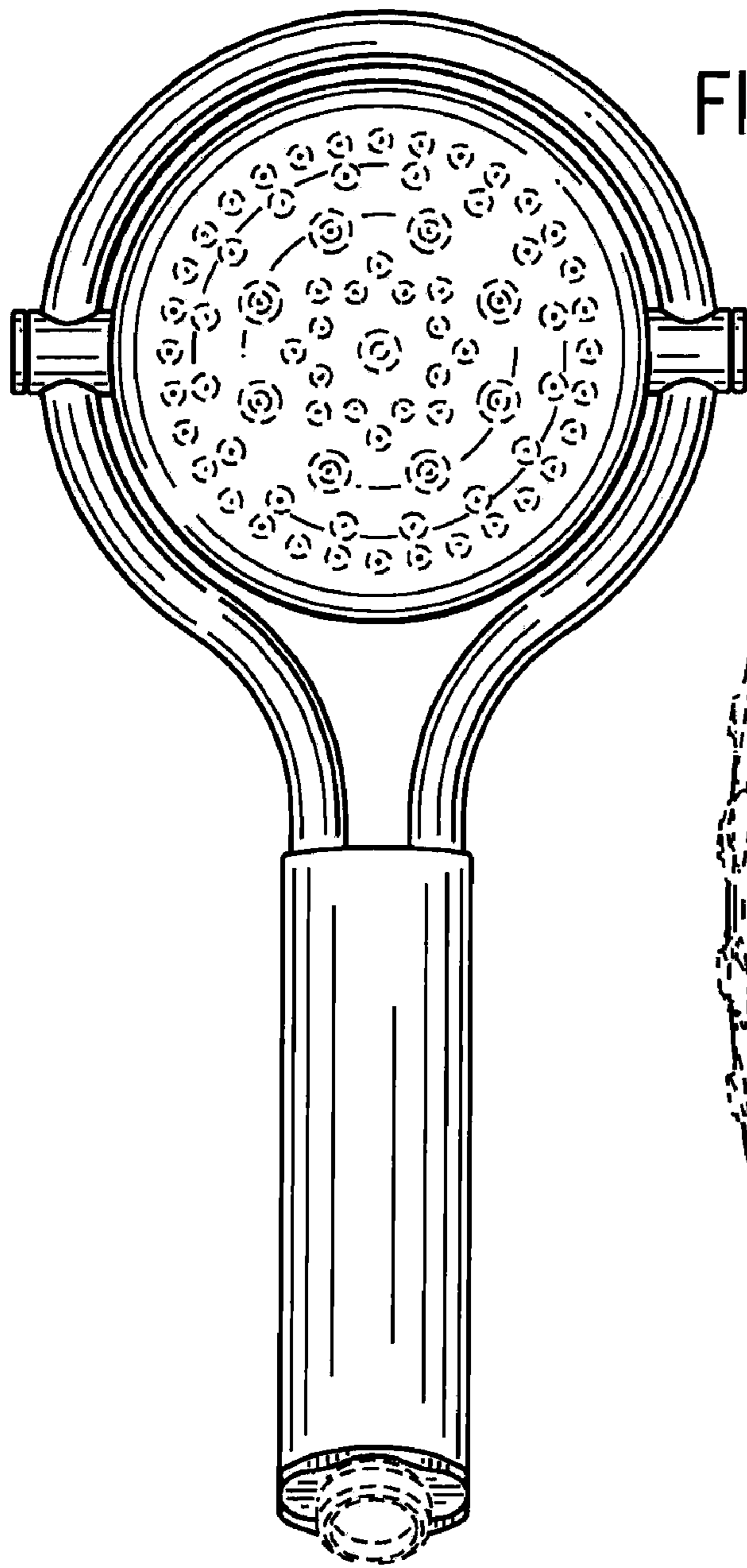


FIG. 3

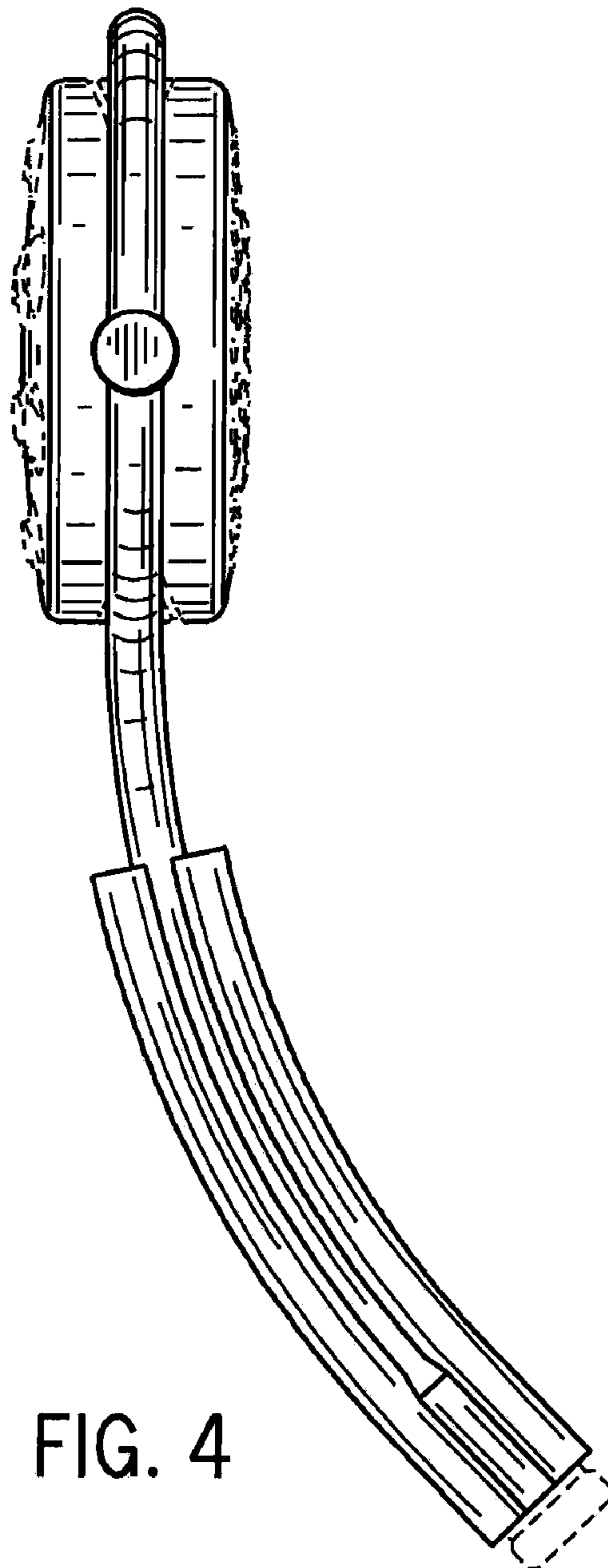


FIG. 4

FIG. 5

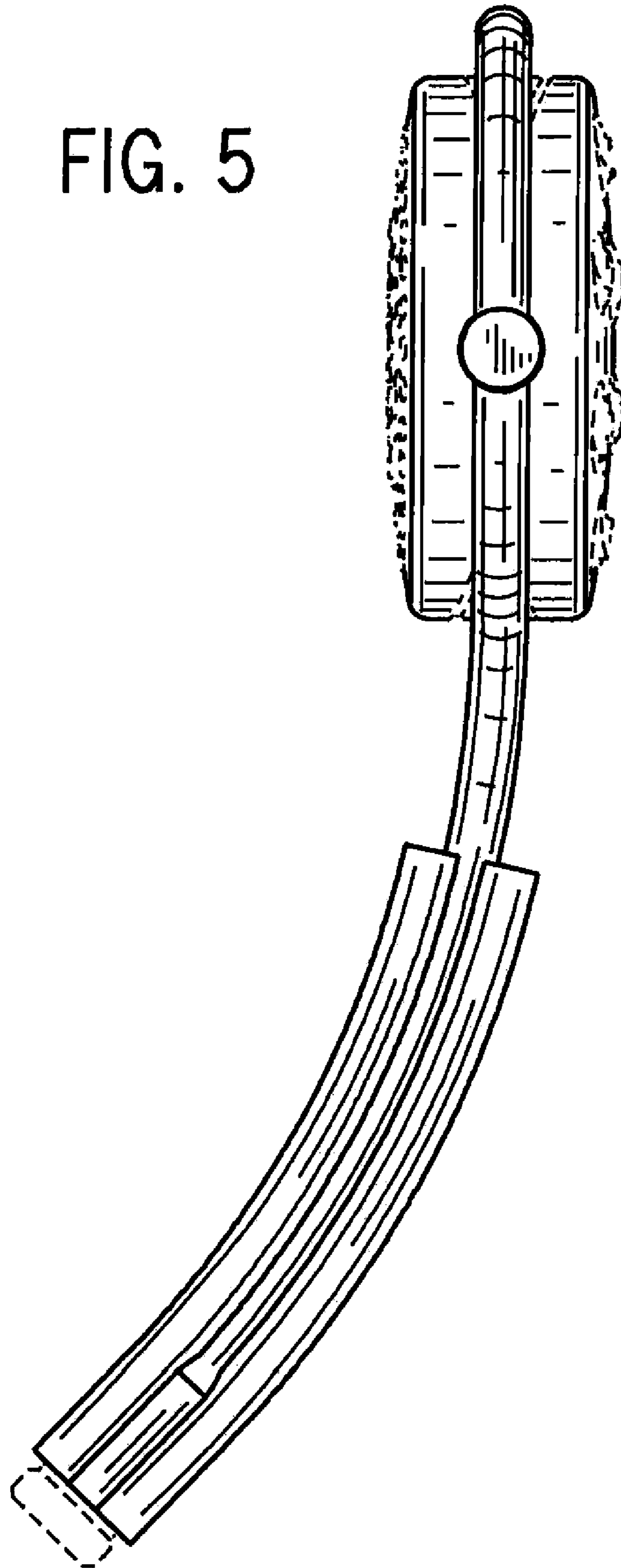


FIG. 6

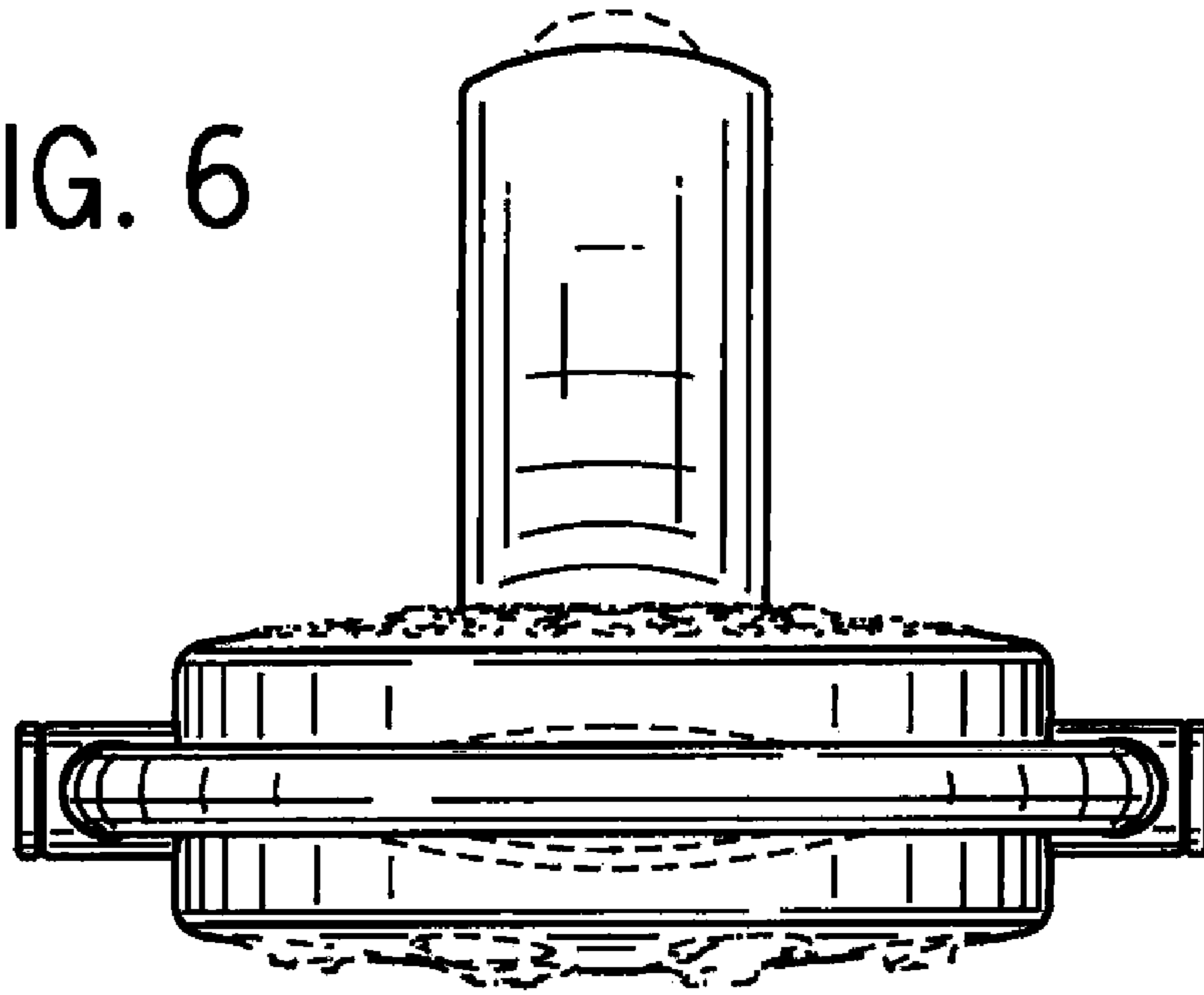


FIG. 7

