



US00D608411S

(12) **United States Design Patent**
Kojima

(10) **Patent No.:** **US D608,411 S**

(45) **Date of Patent:** **** Jan. 19, 2010**

(54) **STIRRER**

7,137,731 B2 * 11/2006 Carlson 366/337

(75) Inventor: **Hisao Kojima**, Yokohama (JP)

(73) Assignee: **Anemos Company Ltd.**, Tokyo (JP)

(**) Term: **14 Years**

(21) Appl. No.: **29/300,137**

(22) Filed: **Feb. 25, 2008**

(30) **Foreign Application Priority Data**

Aug. 31, 2007 (JP) D2007-026831

(51) **LOC (9) Cl.** **23-01**

(52) **U.S. Cl.** **D23/200**

(58) **Field of Classification Search** D23/200,

D23/207, 266, 263; 138/37, 39, 42; 366/336-340

See application file for complete search history.

(56) **References Cited**

U.S. PATENT DOCUMENTS

2,718,385	A *	9/1955	Greblick et al.	416/181
3,942,770	A *	3/1976	Belouet et al.	366/343
4,183,682	A *	1/1980	Lieffers 366/339	
4,466,741	A	8/1984	Kojima	
4,514,095	A *	4/1985	Ehrfeld et al.	366/340
4,643,584	A *	2/1987	Allocca 366/337	
4,824,614	A *	4/1989	Jones 261/76	
4,850,705	A *	7/1989	Horner 366/339	
5,758,967	A *	6/1998	King 366/337	
6,109,781	A *	8/2000	Ogasawara et al.	366/336
D436,647	S *	1/2001	Etschel et al.	D23/200

FOREIGN PATENT DOCUMENTS

JP	10-85721	A	4/1998
JP	2001-50425	A	2/2001
JP	2001-62269	A	3/2001
JP	2003-181256	A	7/2003
JP	2005-219036	A	8/2005
WO	WO-00/24502	A1	5/2000

OTHER PUBLICATIONS

S. Hagiwara et al., "Motionless Mixer—Basis & Application", NDC 571.3, Sep. 30, 1981, pp. 1-7, The Nikkan Kogyo Shimbun Ltd., Tokyo, Japan (Sep. 30, 1981).

* cited by examiner

Primary Examiner—Robin V Webster

(74) *Attorney, Agent, or Firm*—Ditthavong Mori & Steiner, P.C.

(57) **CLAIM**

The ornamental design for a stirrer, as shown and described.

DESCRIPTION

FIG. 1 is a front elevational view of a stirrer showing my new design;

FIG. 2 is a rear elevational view thereof;

FIG. 3 is a right side elevational view thereof;

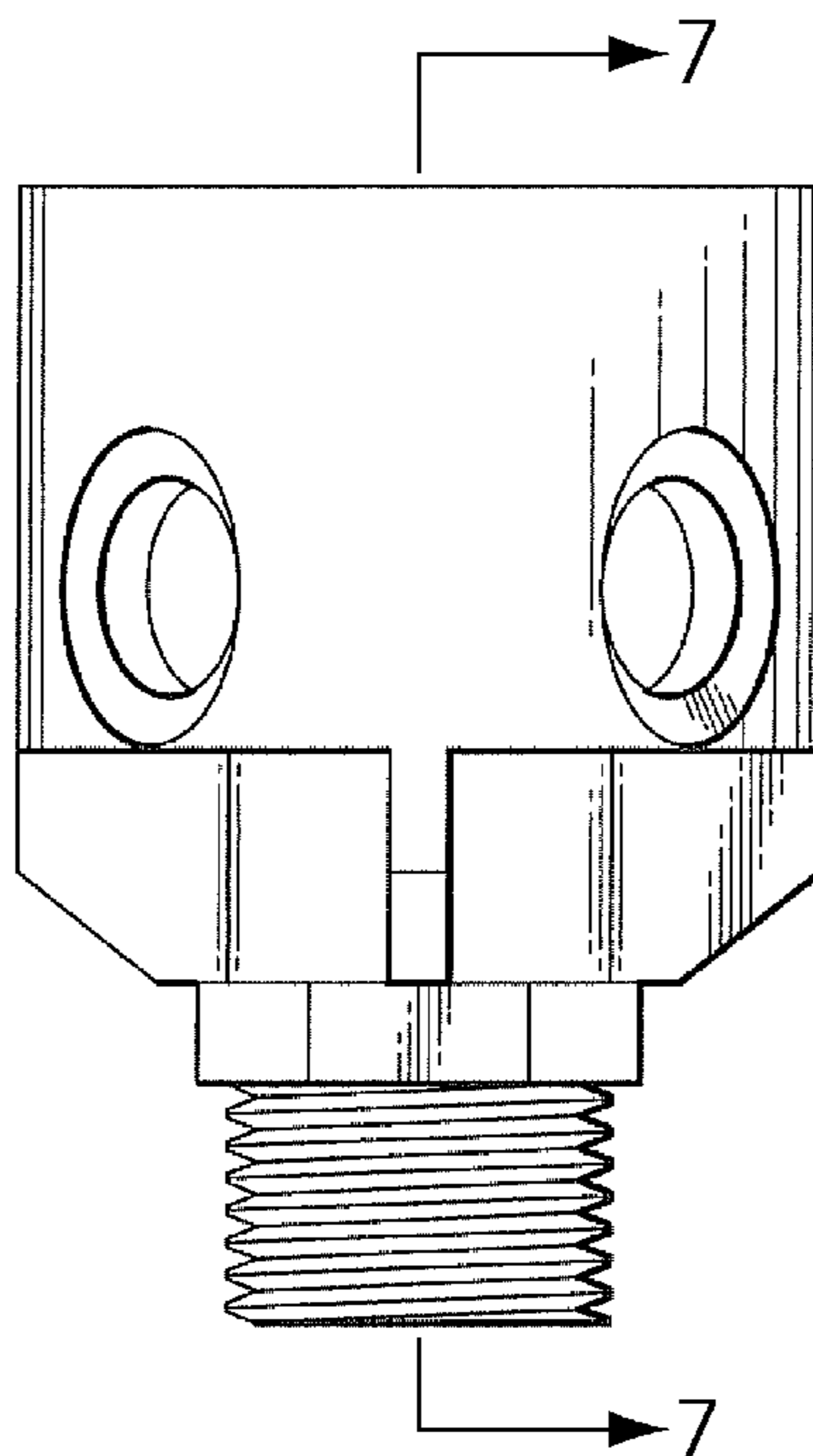
FIG. 4 is a left side elevational view thereof;

FIG. 5 is a top plan view thereof;

FIG. 6 is a bottom plan view thereof; and,

FIG. 7 is a perspective cross sectional view taken along line 7—7 of FIG. 1.

1 Claim, 6 Drawing Sheets



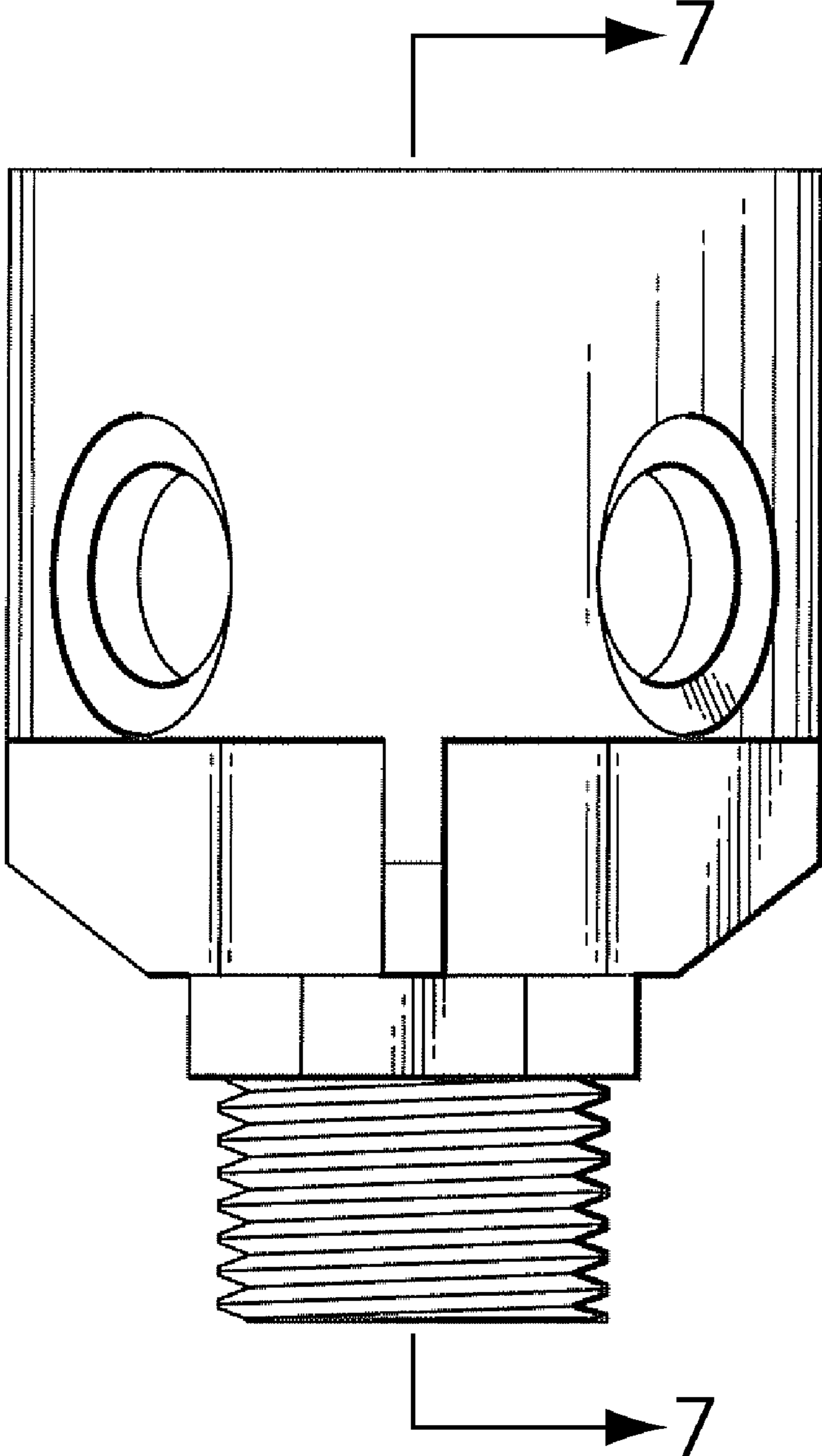


FIG. 1

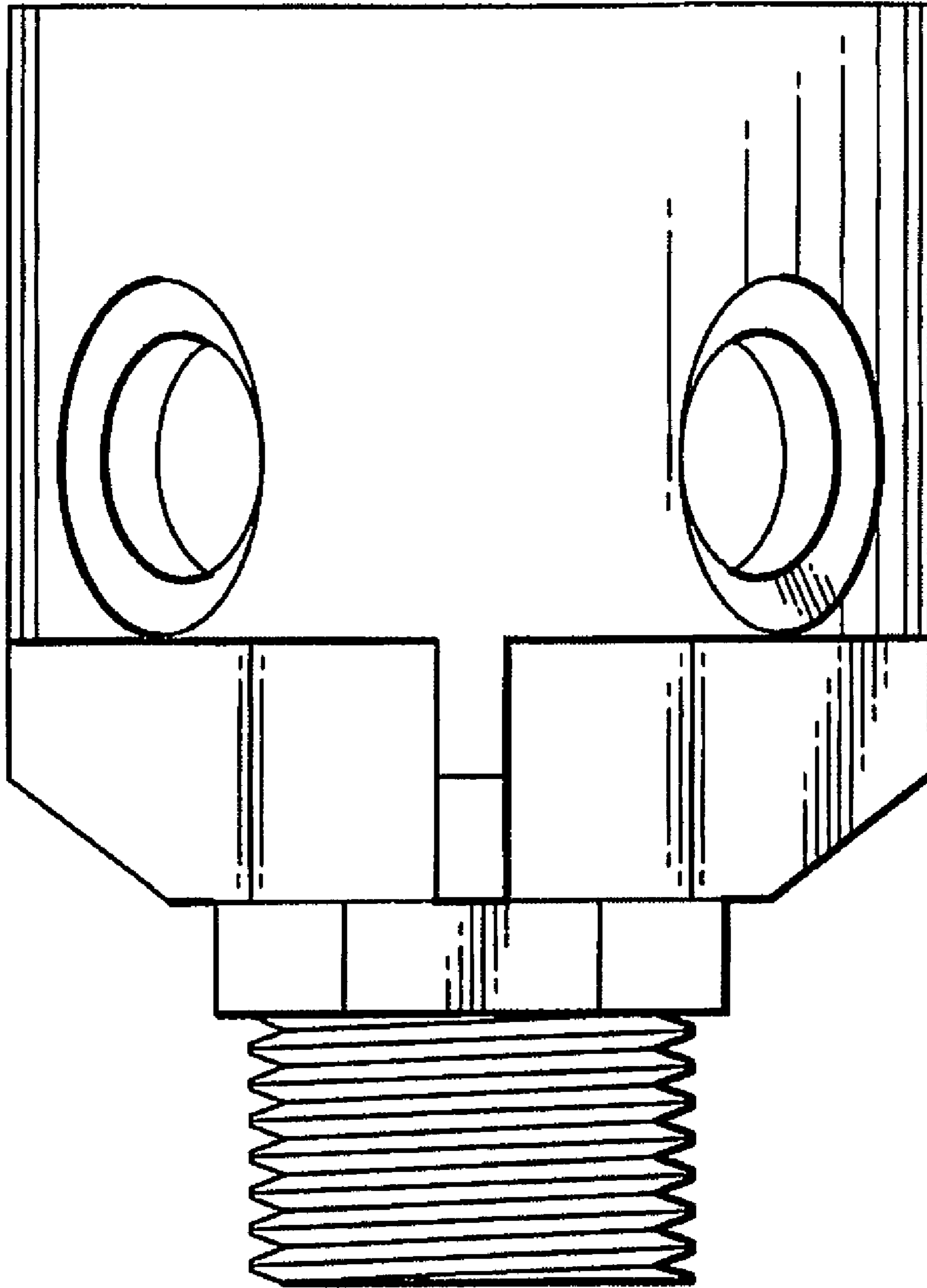


FIG. 2

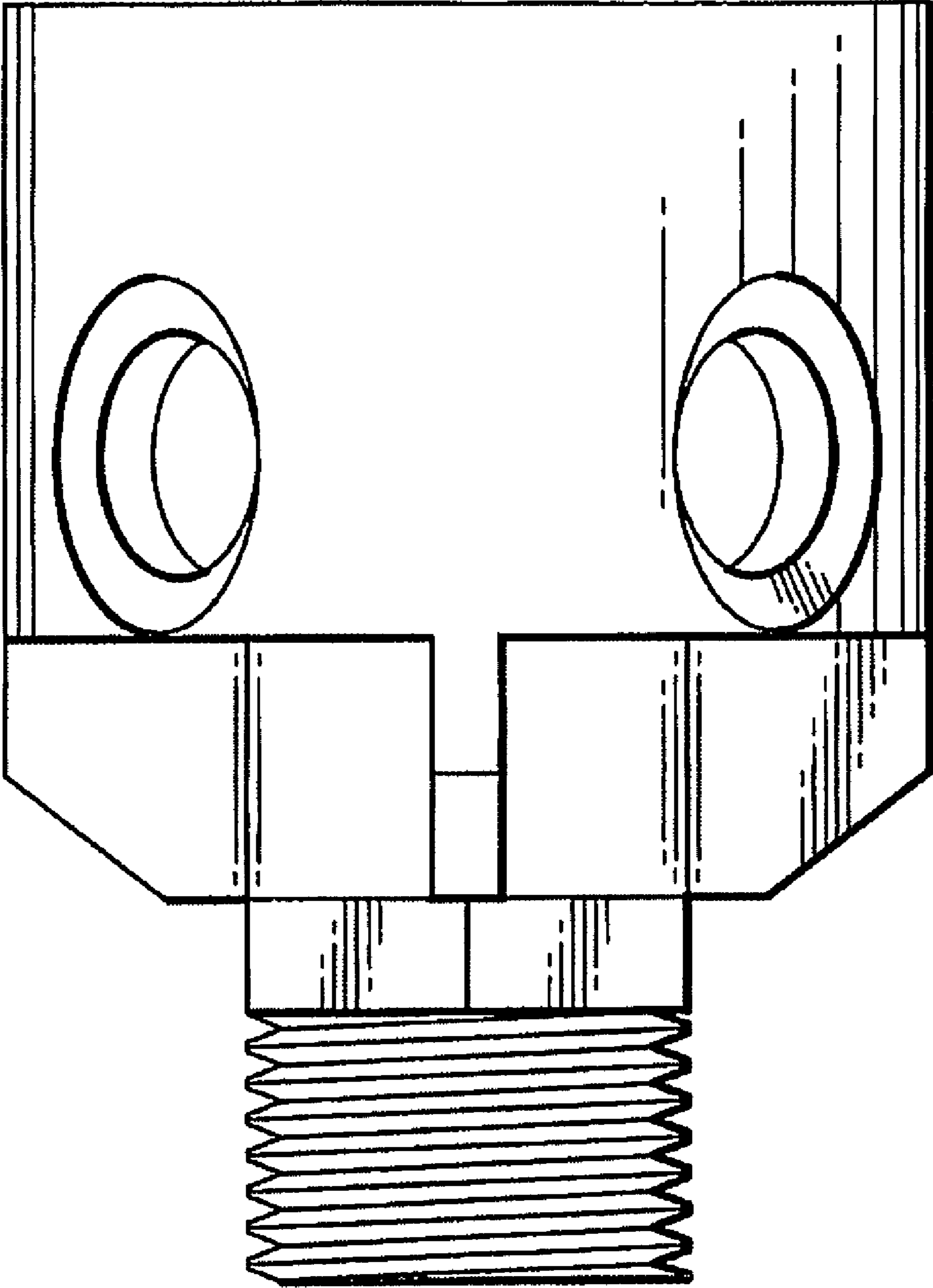


FIG. 3

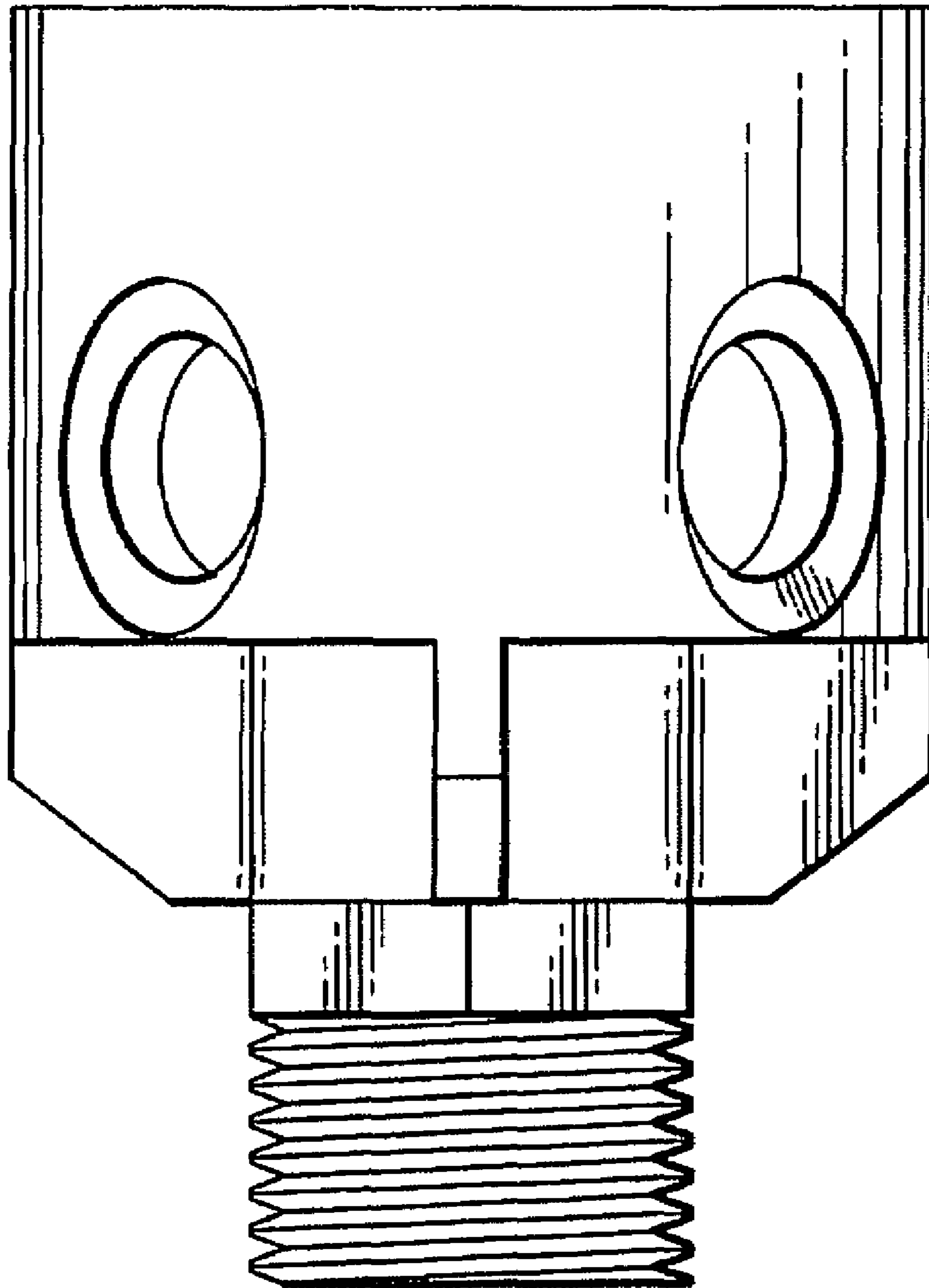


FIG. 4

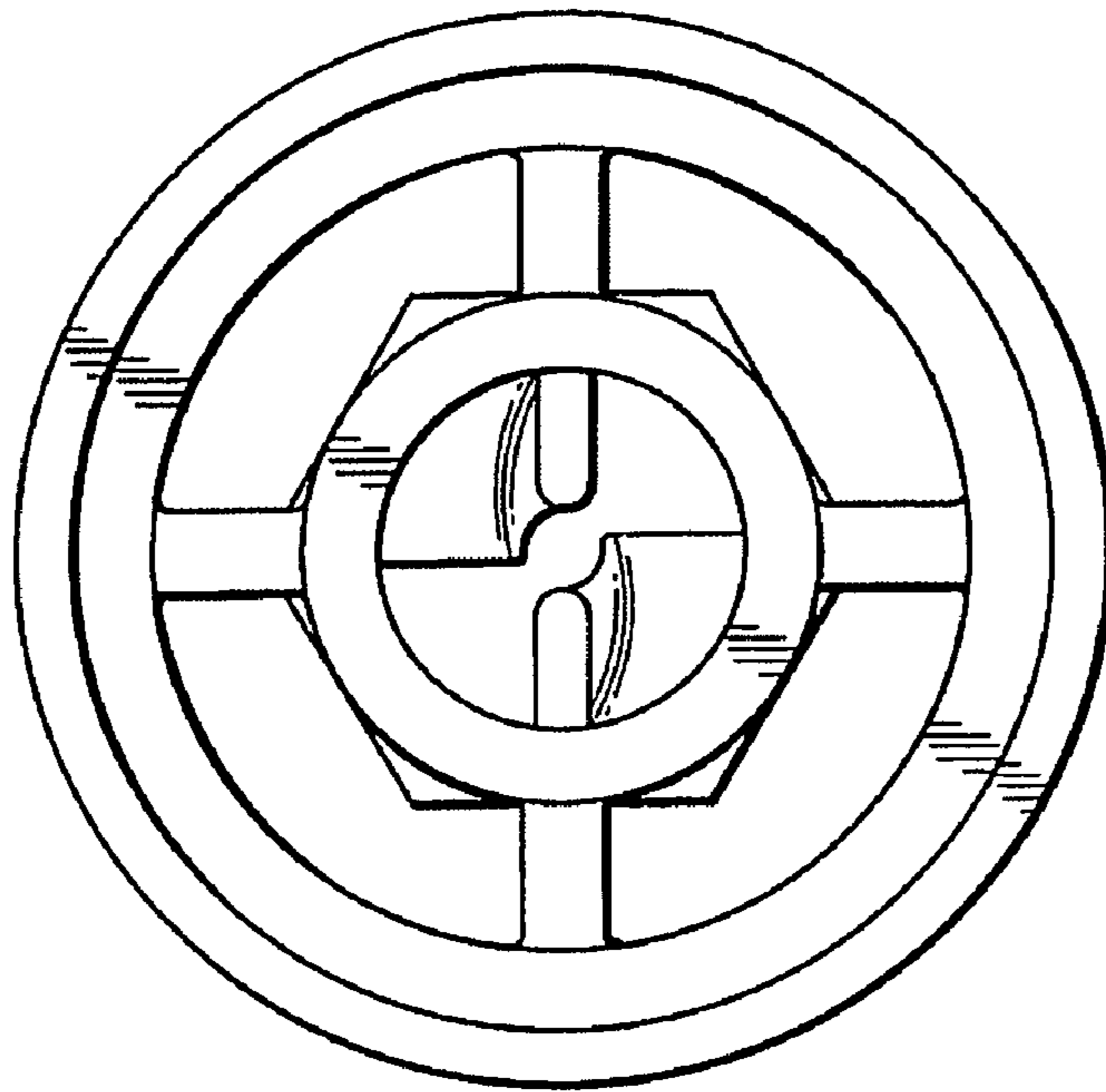


FIG. 5

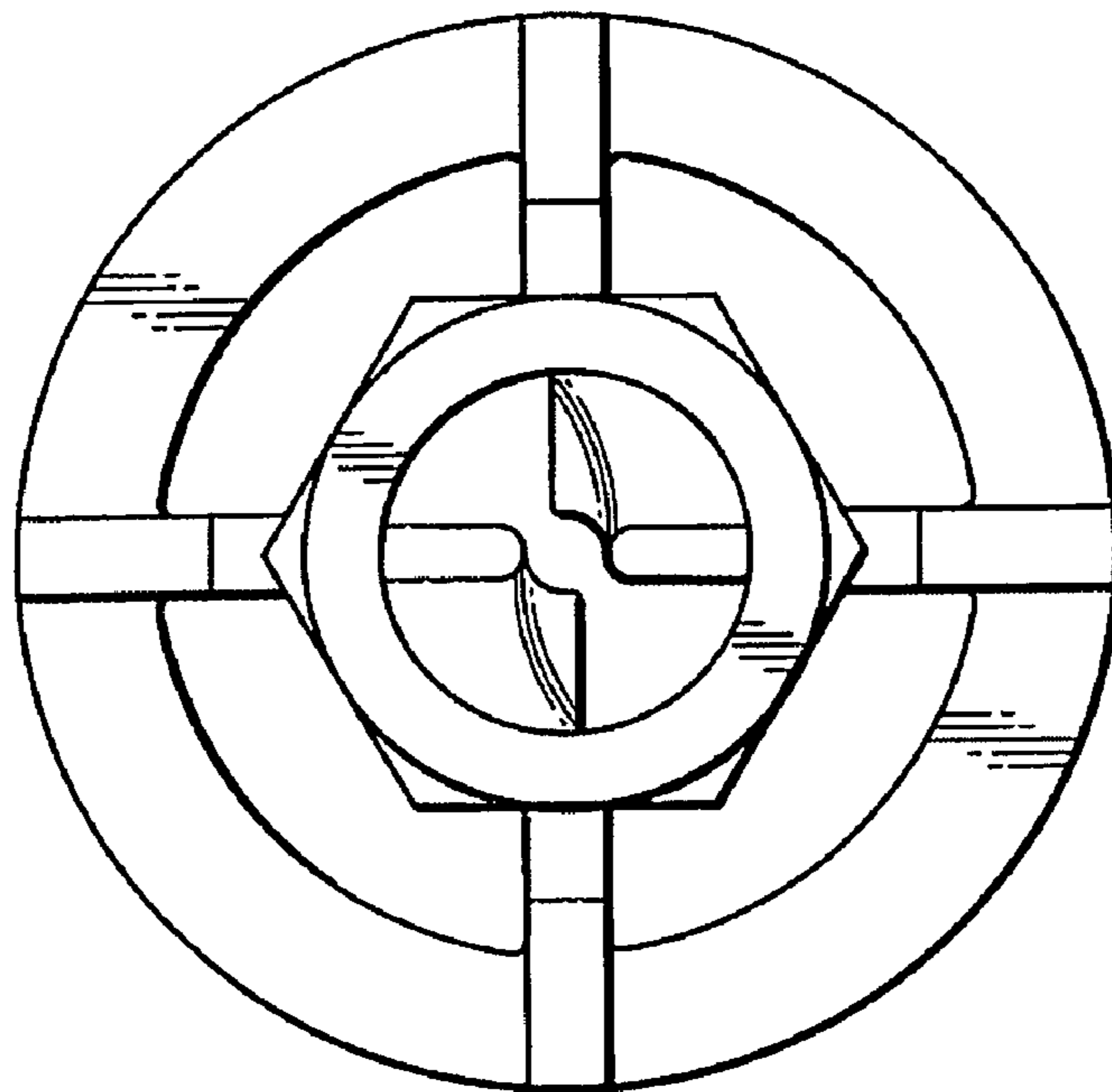


FIG. 6

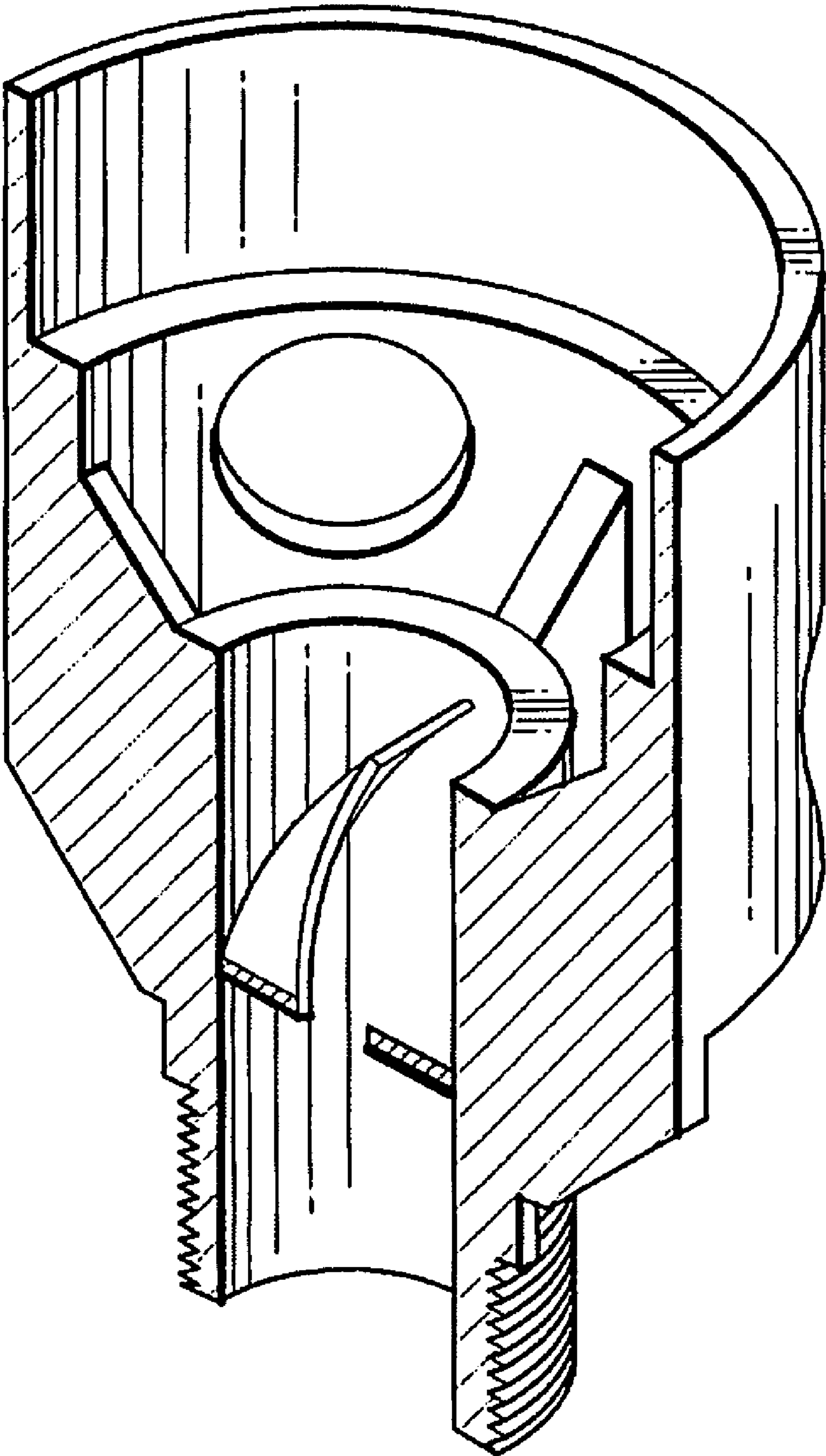


FIG. 7