



US00D608409S

(12) **United States Design Patent**
Roach

(10) **Patent No.:** **US D608,409 S**

(45) **Date of Patent:** **** Jan. 19, 2010**

(54) **FISHING LURE**

D544,066 S * 6/2007 Kent D22/126

(76) **Inventor:** **Clement Roach**, 875 Morrison Ave.,
#4M, Bronx, NY (US) 10473

* cited by examiner

Primary Examiner—Catherine R Oliver

(74) *Attorney, Agent, or Firm*—QuickPatents, Inc.; Kevin Prince

(**) **Term:** **14 Years**

(21) **Appl. No.:** **29/336,028**

(57) **CLAIM**

(22) **Filed:** **Apr. 27, 2009**

I claim the ornamental design for a fishing lure, as shown and described.

(51) **LOC (9) Cl.** **22-05**

(52) **U.S. Cl.** **D22/126**

(58) **Field of Classification Search** D22/126–133;
43/44.4, 44.99, 44.2, 42.4, 43.13, 57.1, 25.2,
43/42.29, 42, 28, 42.34, 42.38, 42.06

DESCRIPTION

See application file for complete search history.

FIG. 1 is a perspective view of a fishing lure, showing my new design;

FIG. 2 is a left-side elevational view thereof;

FIG. 3 is a right-side elevational view thereof;

FIG. 4 is a rear elevational view thereof;

FIG. 5 is a front elevational view thereof;

FIG. 6 is a top plan view thereof; and,

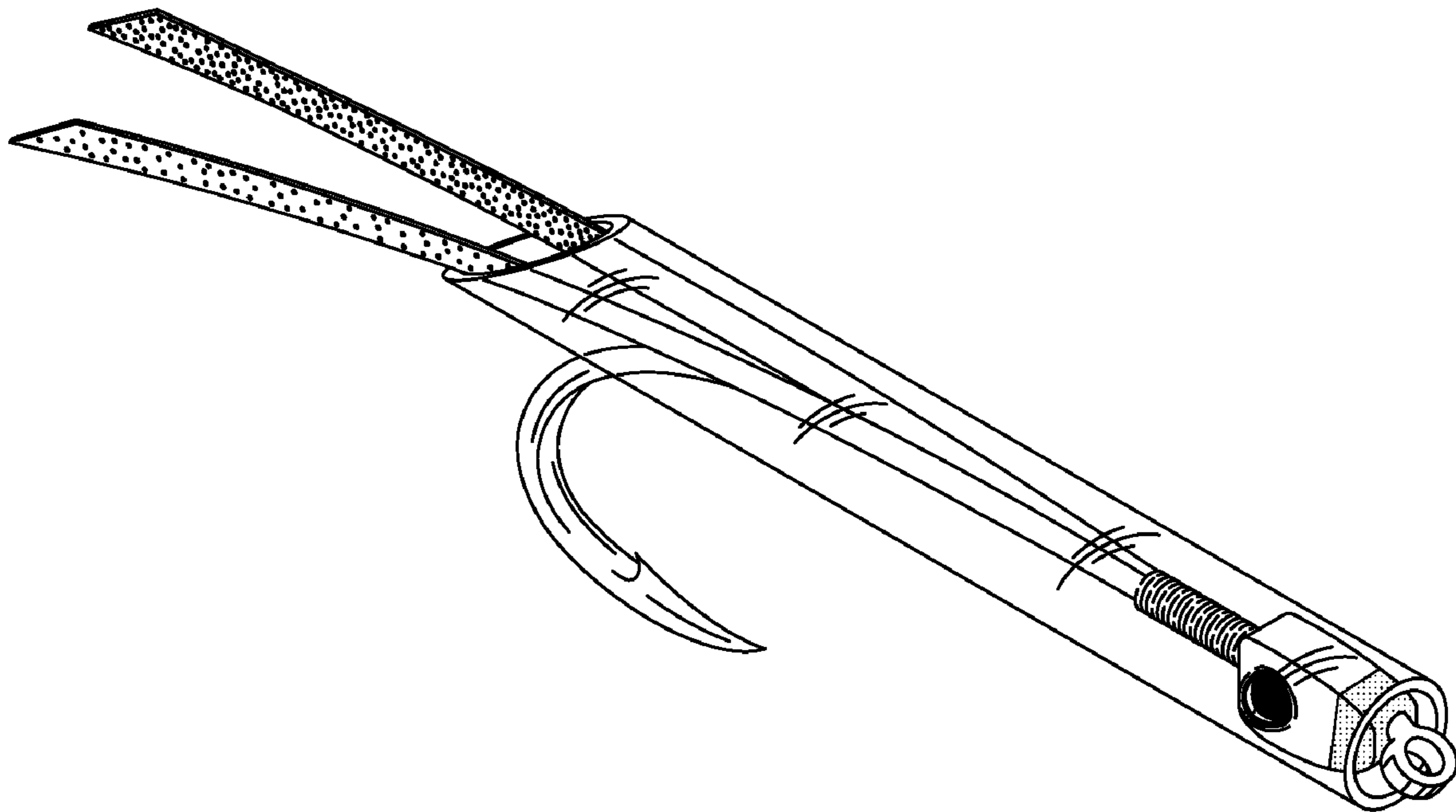
FIG. 7 is a bottom plan view thereof.

(56) **References Cited**

U.S. PATENT DOCUMENTS

2,338,577	A *	1/1944	Divine	43/42.34
4,345,399	A *	8/1982	Guzik	43/42.06
D334,964	S *	4/1993	Silks	D22/126
D399,912	S *	10/1998	Kopp, III	D22/126
D422,046	S *	3/2000	Couch	D22/126

1 Claim, 2 Drawing Sheets



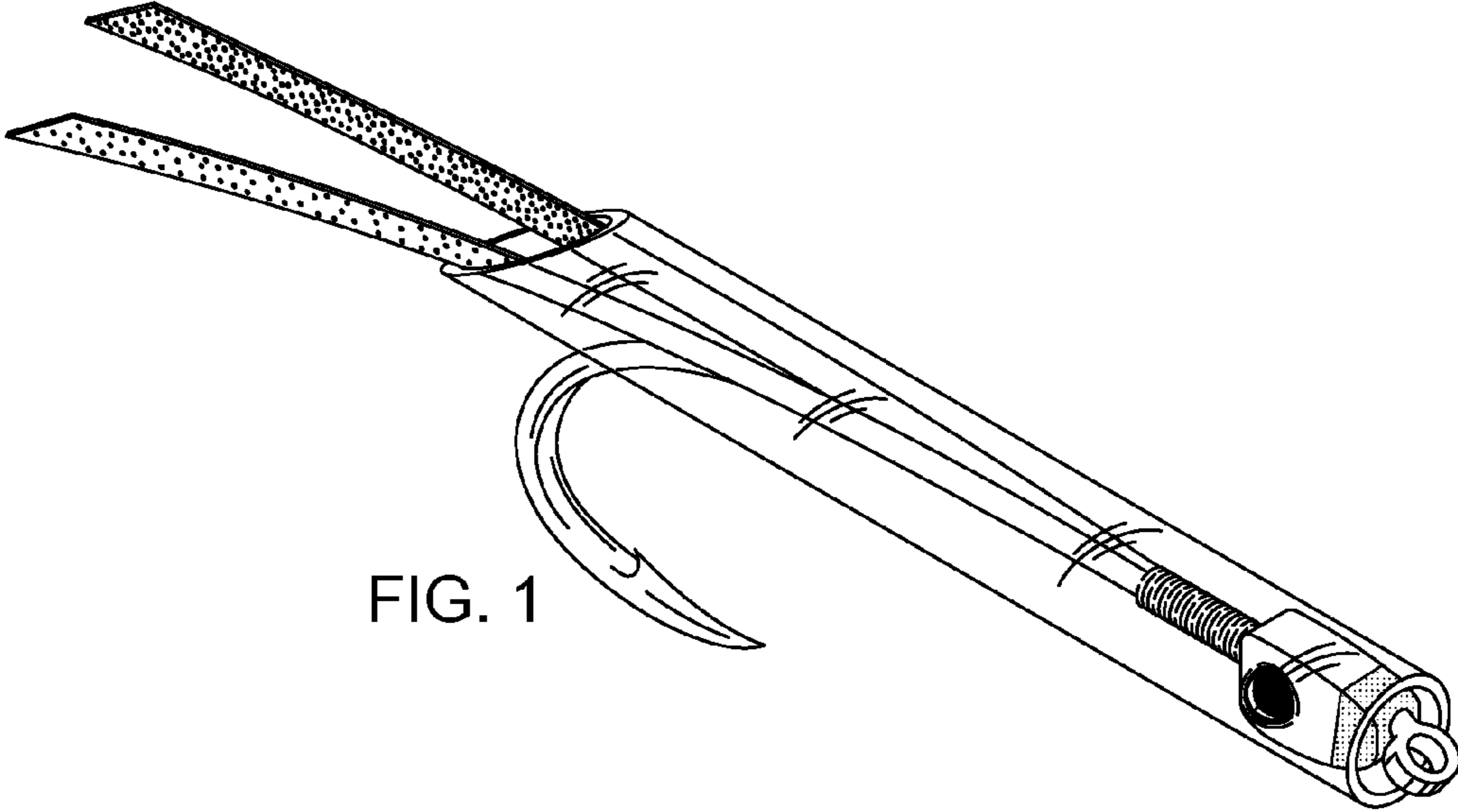


FIG. 1

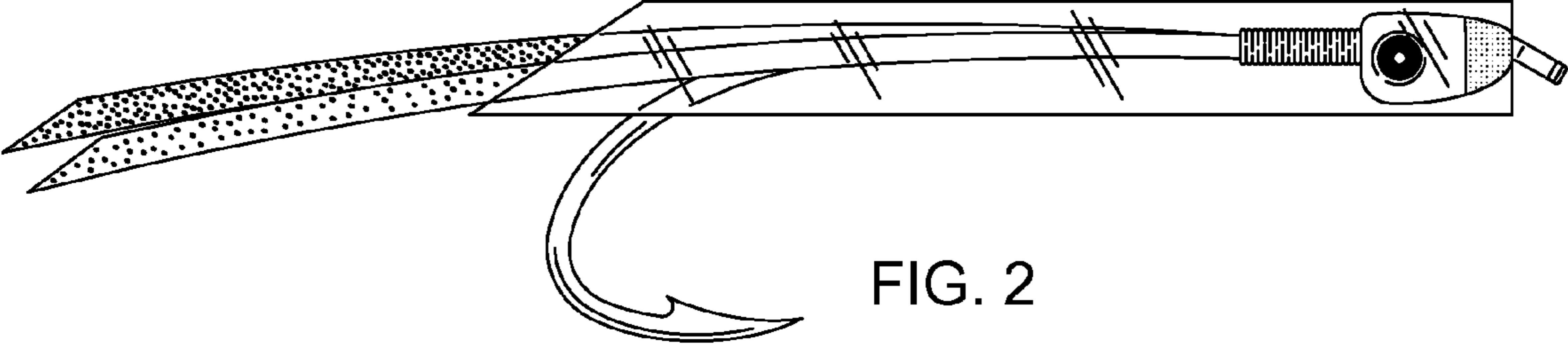


FIG. 2

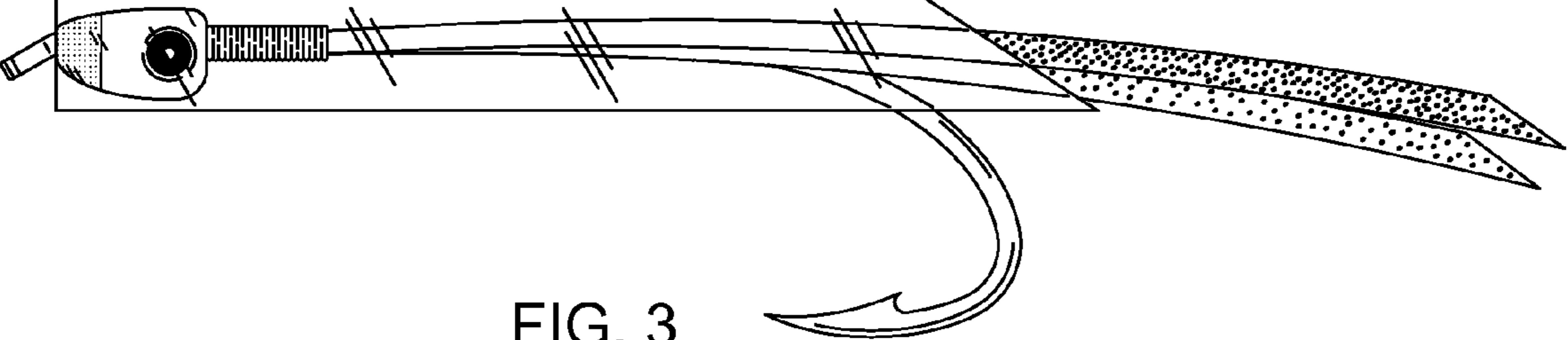


FIG. 3

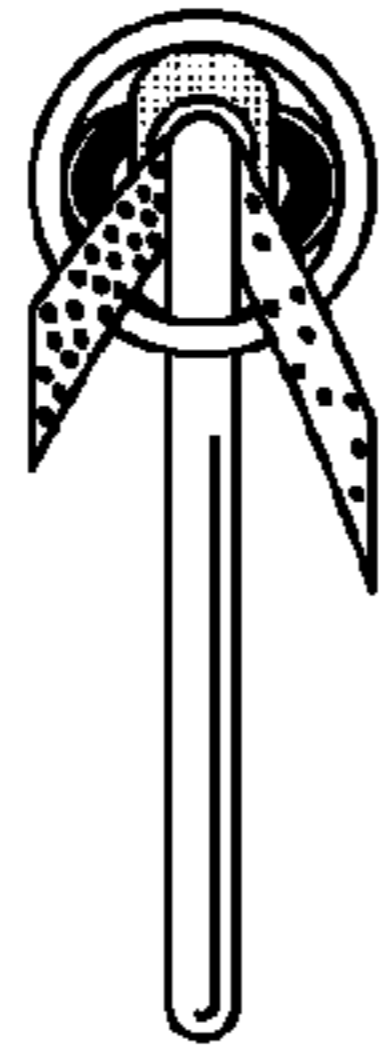


FIG. 4

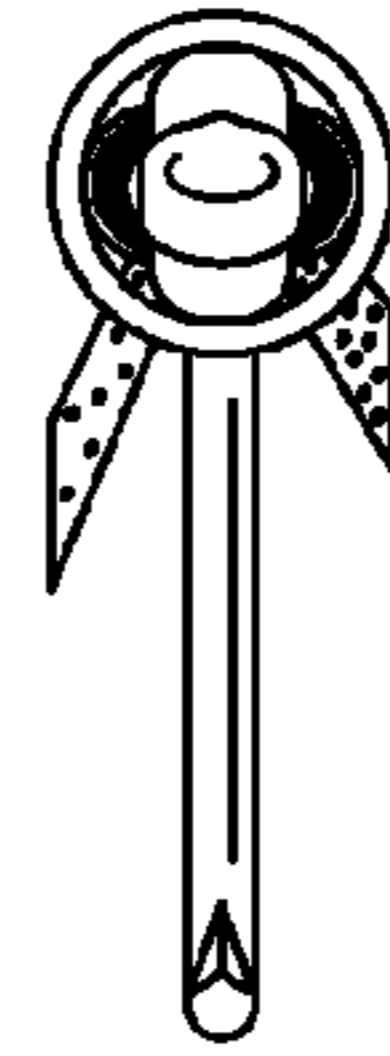


FIG. 5



FIG. 6

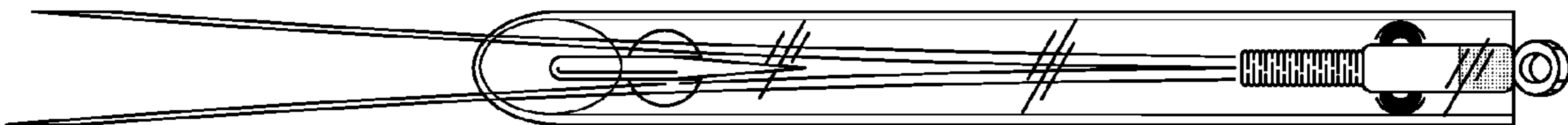


FIG. 7