



US00D608406S

(12) **United States Design Patent**  
**Cobb, II et al.**

(10) **Patent No.:** **US D608,406 S**  
(45) **Date of Patent:** **\*\* Jan. 19, 2010**

(54) **AIR BEAM TENT FRAME**

(76) Inventors: **H. David Cobb, II**, 8697 Huntingdon  
Ridge Dr., Montgomery, AL (US) 36117;  
**Henry D. Cobb**, 603 Horseshoe Curve,  
Pike Road, AL (US) 36064

(\*\*) Term: **14 Years**

(21) Appl. No.: **29/336,867**

(22) Filed: **May 11, 2009**

(51) **LOC (9) Cl.** ..... **21-04**

(52) **U.S. Cl.** ..... **D21/835; D21/839**

(58) **Field of Classification Search** ..... D21/440,  
D21/814, 818, 820, 835, 839; D25/18, 22,  
D25/29, 61; 135/90, 96, 121, 124–126, 132,  
135/136; 52/2.11–2.19, 2.21, 2.25; 40/610;  
425/389; 446/89

See application file for complete search history.

D396,087 S	7/1998	Liu	
D408,870 S *	4/1999	Sumner	D21/440
D410,259 S	5/1999	Sumner	
D411,020 S *	6/1999	Cotton et al.	D25/102
D414,564 S	9/1999	Goldwitz	
5,987,822 A	11/1999	McNiff et al.	
D422,667 S	4/2000	Lau	
6,062,243 A *	5/2000	Tuch et al.	135/124
6,140,576 A *	10/2000	Kanne et al.	135/136
6,182,398 B1	2/2001	Head	
D439,946 S	4/2001	Gourchounian	
D441,416 S *	5/2001	Gourchounian	D21/820
6,263,617 B1 *	7/2001	Turcot et al.	52/2.18
6,397,433 B1	6/2002	Chen	
6,463,699 B1	10/2002	Bailey et al.	
6,551,091 B1 *	4/2003	Bryant et al.	425/389
6,565,405 B2 *	5/2003	Hsu et al.	446/89
D482,423 S *	11/2003	Newsome	D21/835
6,722,084 B2 *	4/2004	Berman	52/2.11
6,929,016 B2 *	8/2005	Lee	135/126
D515,167 S	2/2006	Capwell	
7,181,877 B2 *	2/2007	Quade	52/2.21
7,296,584 B2 *	11/2007	Goldwitz	135/121

(56) **References Cited**

**U.S. PATENT DOCUMENTS**

2,591,829 A *	4/1952	Katzenmeyer et al.	52/2.21
2,819,724 A *	1/1958	Barker	52/2.18
2,875,771 A	3/1959	Brewin	
2,955,606 A *	10/1960	Walker	52/2.21
3,054,124 A *	9/1962	Silverstone	52/2.21
3,145,719 A	8/1964	Johnson	
3,868,155 A *	2/1975	Cherubini	135/132
3,994,102 A *	11/1976	Johnson et al.	52/2.21
4,197,681 A	4/1980	Holcombe	
4,332,112 A *	6/1982	Hsu	52/2.21
D300,649 S	4/1989	Tauer	
4,819,389 A *	4/1989	Kihn	52/2.21
4,959,901 A *	10/1990	Parish	52/2.18
5,205,086 A	4/1993	Heim	
5,247,768 A *	9/1993	Russo	52/2.13
5,305,561 A *	4/1994	Goddard	52/2.22
5,421,128 A	6/1995	Sharpless et al.	
5,570,544 A	11/1996	Hale et al.	
D388,494 S	12/1997	Liu	
D389,219 S	1/1998	Liu	
5,761,852 A	6/1998	Liu	

(Continued)

*Primary Examiner*—Philip S Hyder  
*Assistant Examiner*—Cynthia M Chin  
(74) *Attorney, Agent, or Firm*—Gerald M. Walsh; Kenneth M. Bush; Bush Intellectual Property Law

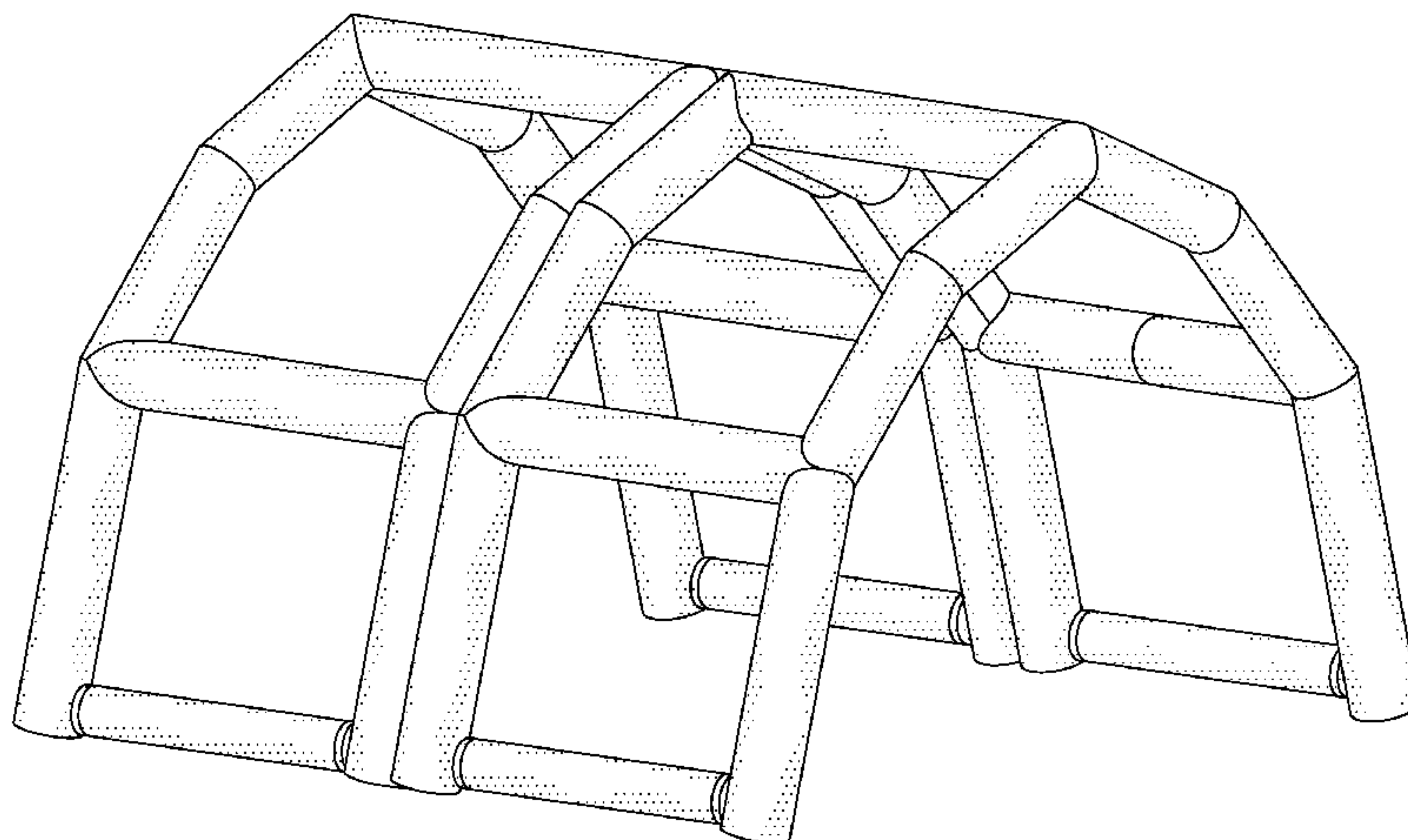
(57) **CLAIM**

We claim the ornamental design for an air beam tent frame, as shown and described.

**DESCRIPTION**

FIG. 1 is a top front left perspective view of an air beam tent frame showing our new design;  
FIG. 2 is a front elevation view thereof, the rear view being identical to the front view;  
FIG. 3 is a left side elevation view thereof, the right side view being identical to the left side view;  
FIG. 4 is a top plan view thereof; and,  
FIG. 5 is a bottom plan view thereof.

**1 Claim, 5 Drawing Sheets**



# US D608,406 S

Page 2

---

## U.S. PATENT DOCUMENTS

D577,092 S *	9/2008	West .....	D21/837	2005/0284031 A1	12/2005	Chen
D593,209 S *	5/2009	VanElverdinghe .....	D25/22	2007/0169803 A1	7/2007	Brensinger
7,552,555 B2 *	6/2009	Pellecuer et al. ....	52/2.18	2007/0271854 A1	11/2007	Wiegand et al.
2003/0213512 A1	11/2003	Lee				

\* cited by examiner

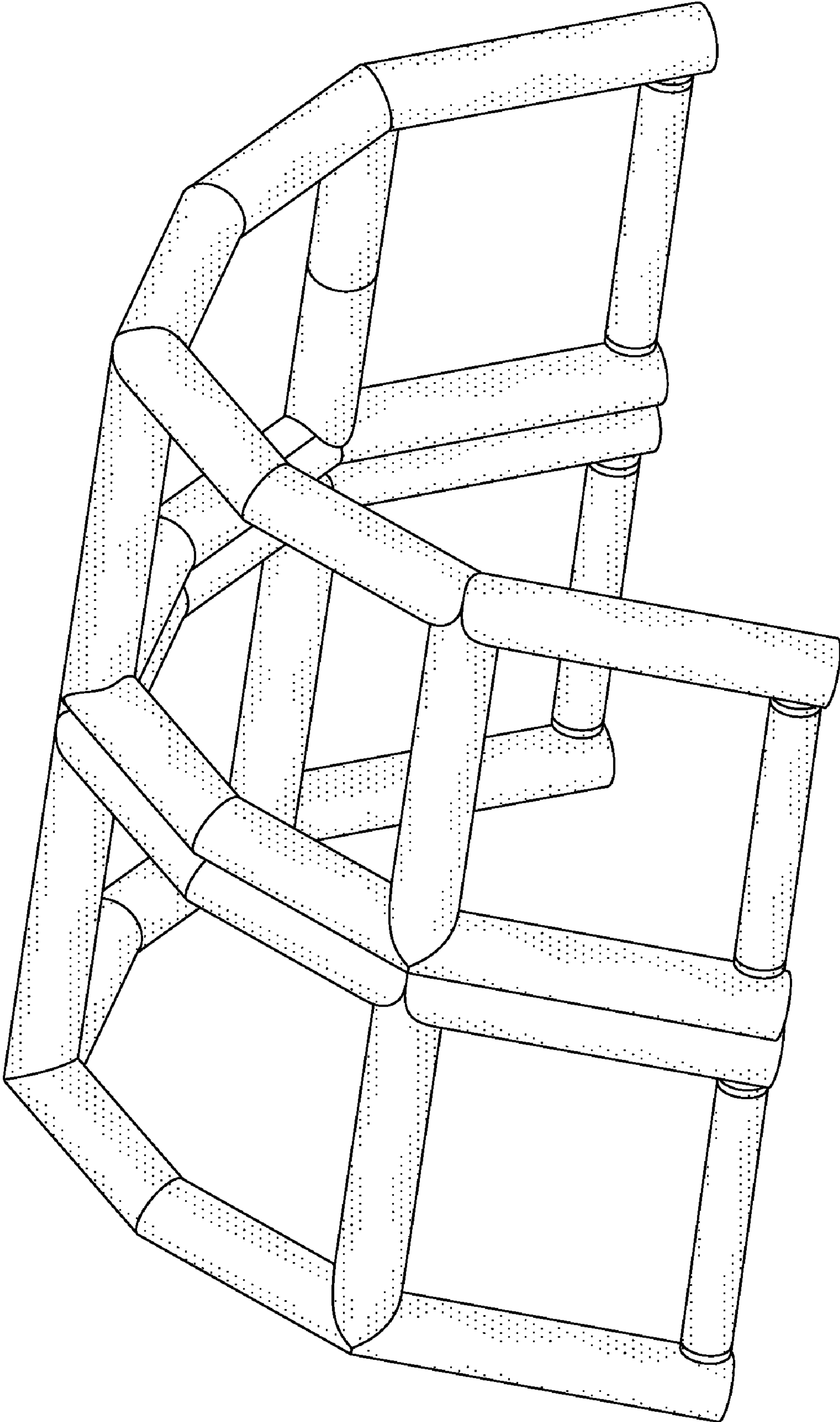


FIG. 1

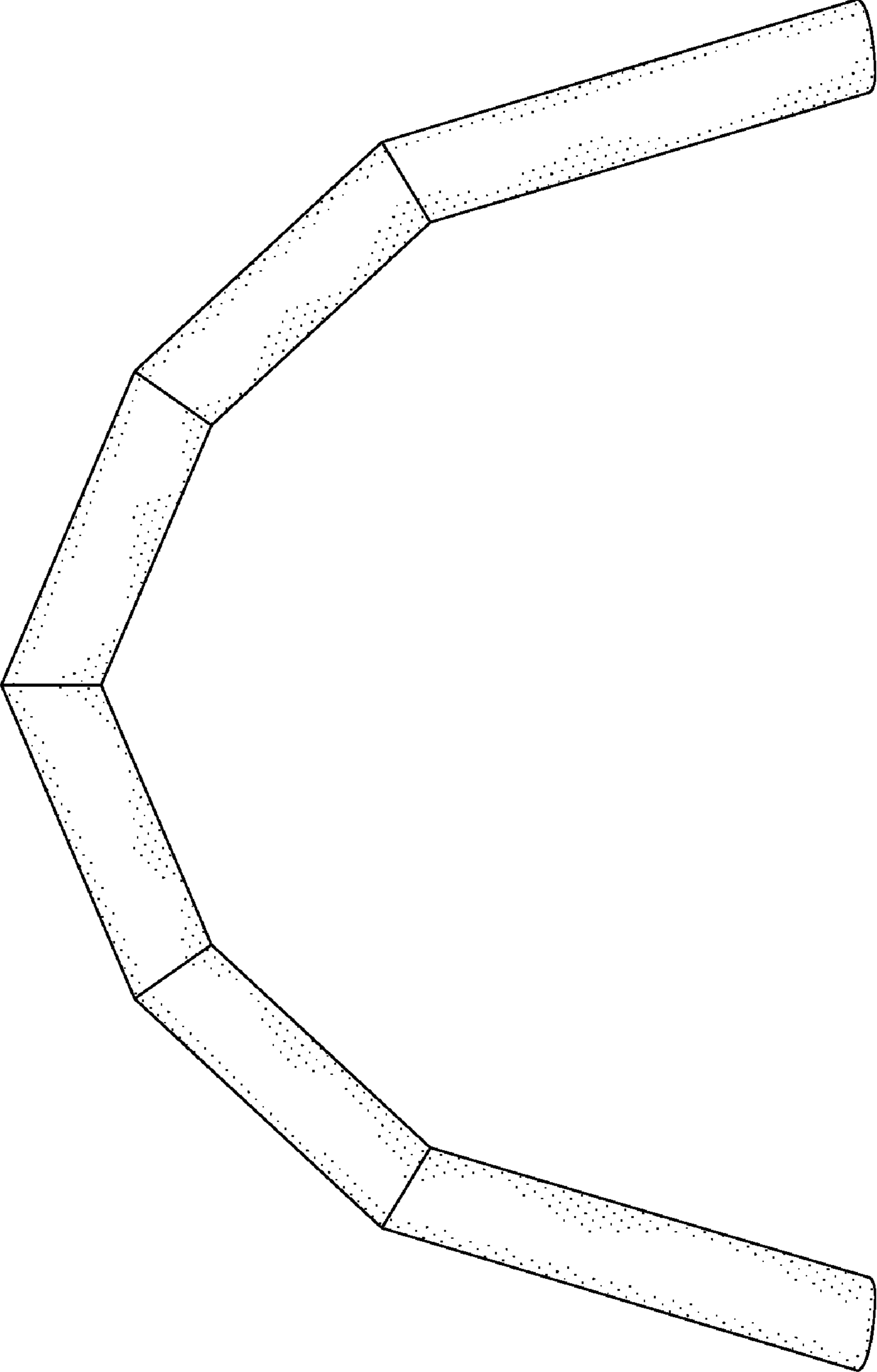


FIG. 2

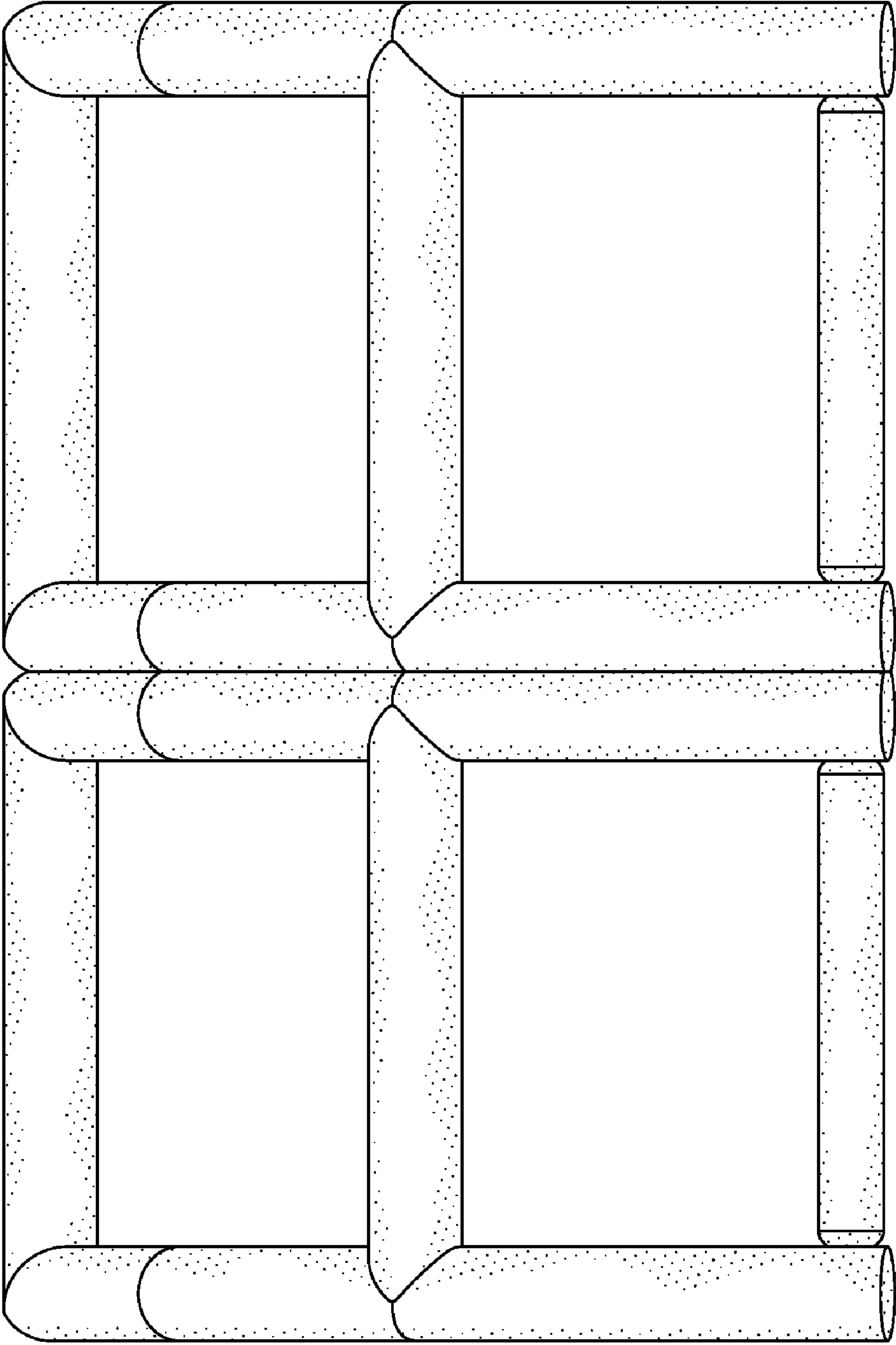


FIG. 3

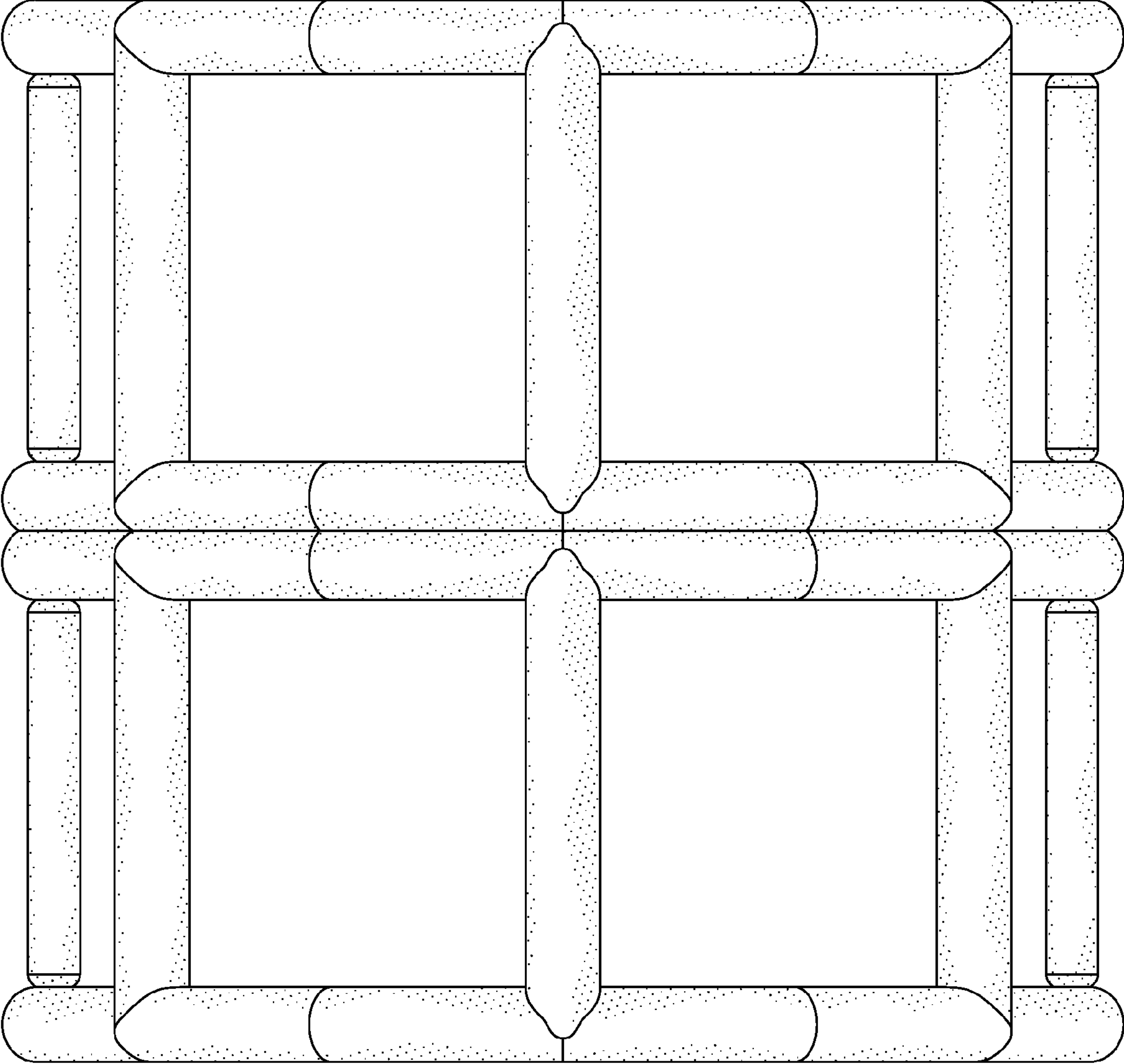


FIG. 4



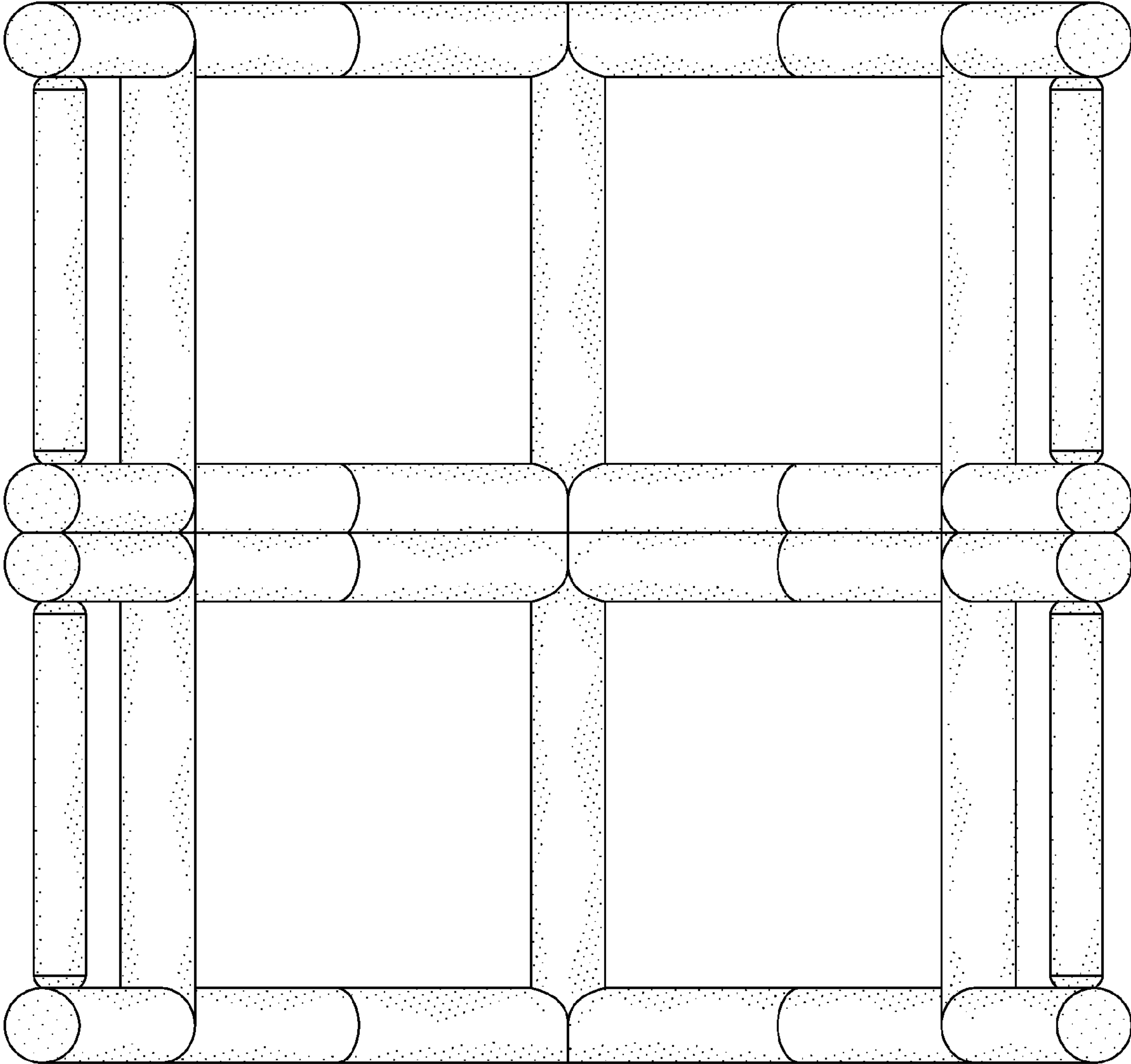


FIG. 5