

US00D608405S

(12) **United States Design Patent**  
**Nicodem et al.**

(10) **Patent No.:** **US D608,405 S**

(45) **Date of Patent:** **\*\* Jan. 19, 2010**

(54) **GOLF PUTTING PRACTICE DEVICE**

D535,716 S \* 1/2007 Officer ..... D21/791

\* cited by examiner

(76) Inventors: **Harry E. Nicodem**, 2315 N. Woodland  
Park Ave., McHenry, IL (US) 60051;  
**Fred Knecht**, 2117 Fairview La.,  
Woodstock, IL (US) 60098

*Primary Examiner*—Mitchell I Siegel  
(74) *Attorney, Agent, or Firm*—Valauskas & Pine LLC

(\*\*) Term: **14 Years**

(57) **CLAIM**

The ornamental design for a golf putting practice device, as shown and described.

(21) Appl. No.: **29/313,900**

(22) Filed: **Feb. 18, 2009**

**DESCRIPTION**

(51) **LOC (9) Cl.** ..... **21-02**

FIG. 1 is an illustrative view of a golf putting practice device showing the new design from the top;

(52) **U.S. Cl.** ..... **D21/791**

FIG. 2 is a front view of the golf putting practice device of FIG. 1;

(58) **Field of Classification Search** ..... D21/789,  
D21/791; 473/229, 257–258, 261, 267  
See application file for complete search history.

FIG. 3 is a rear view of the golf putting practice device of FIG. 1;

(56) **References Cited**

FIG. 4 is a bottom view of the golf putting practice device of FIG. 1;

**U.S. PATENT DOCUMENTS**

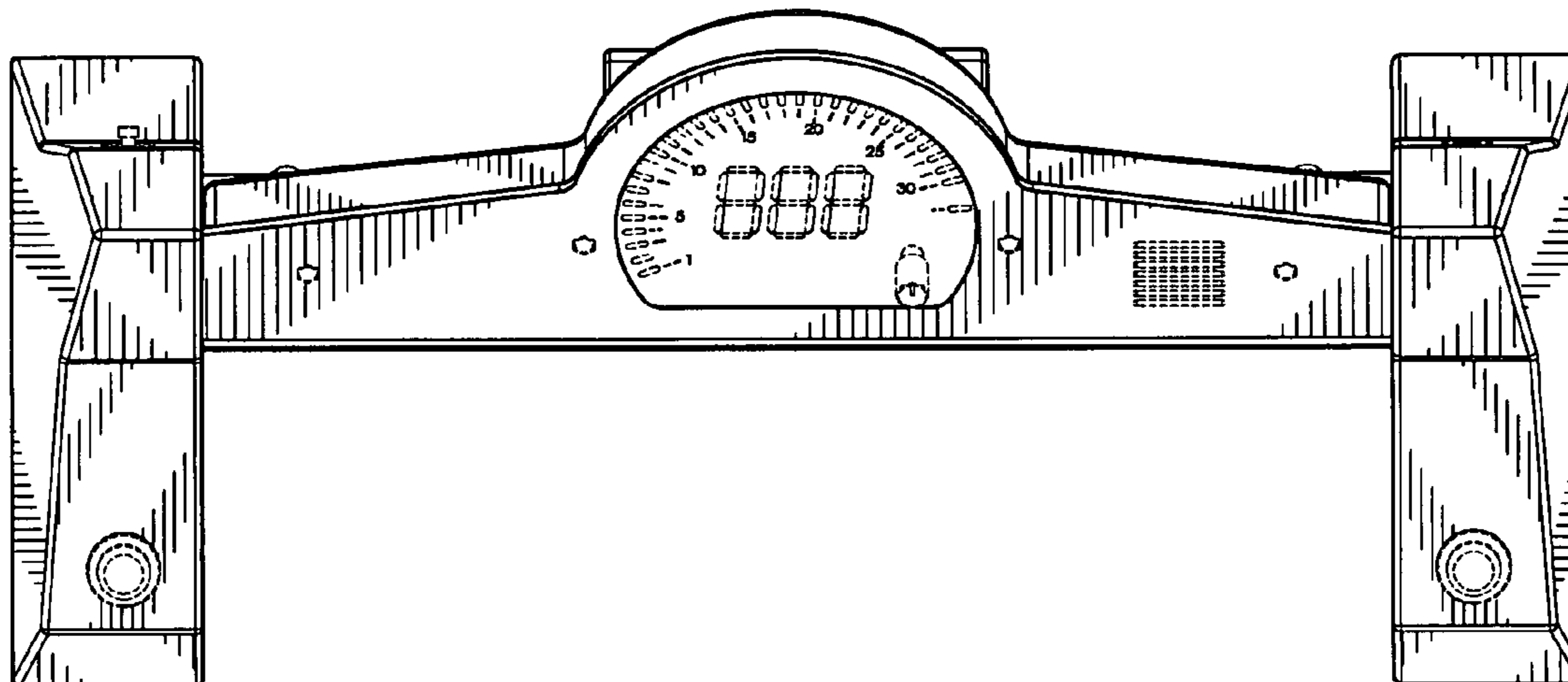
FIG. 5 is a left side view of the golf putting practice device of FIG. 1; and,

- 4,634,131 A \* 1/1987 Vella et al. .... 473/229
- D331,438 S \* 12/1992 Tucker ..... D21/791
- 5,586,945 A \* 12/1996 Vonderhaar ..... 473/258
- D421,084 S \* 2/2000 Hollinger ..... D21/791
- D470,906 S \* 2/2003 Shaw ..... D21/791
- 6,572,486 B2 \* 6/2003 Sweinhart ..... 473/257

FIG. 6 is a right side view of the golf putting practice device of FIG. 1.

The broken line showing is included for the purpose of illustrating and forms no part of the claimed design.

**1 Claim, 3 Drawing Sheets**



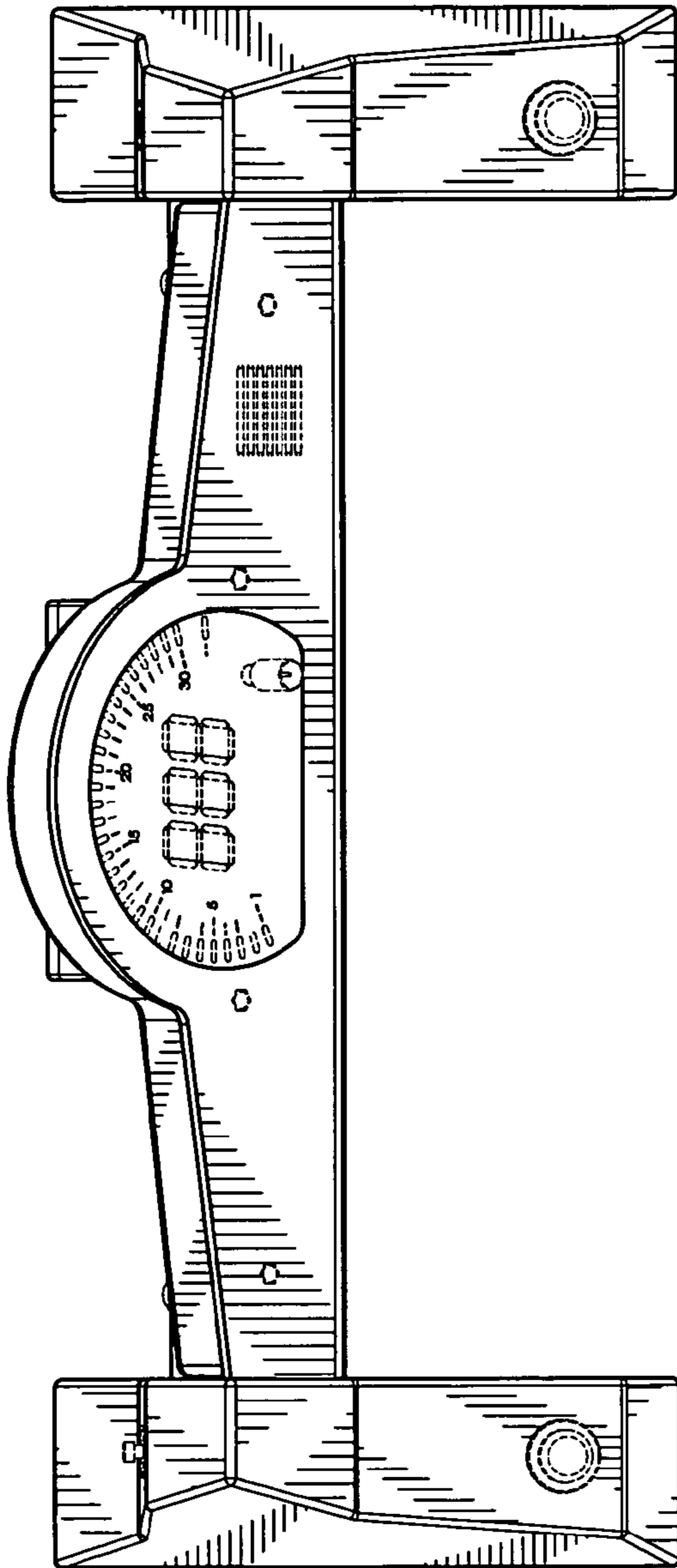


FIG. 1

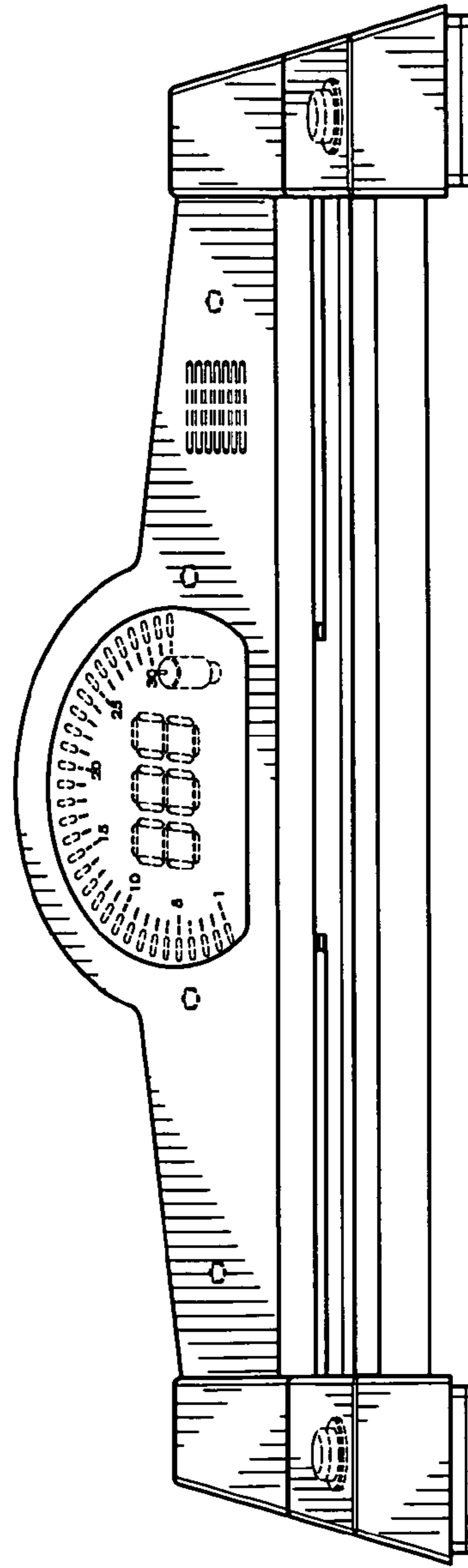


FIG. 2

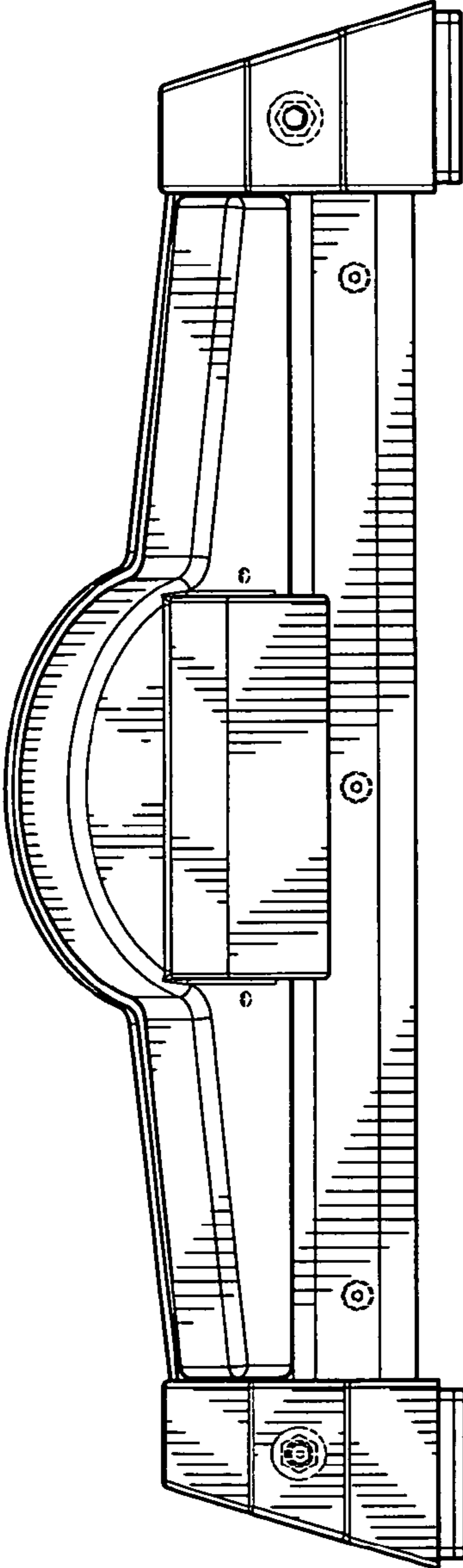


FIG. 3

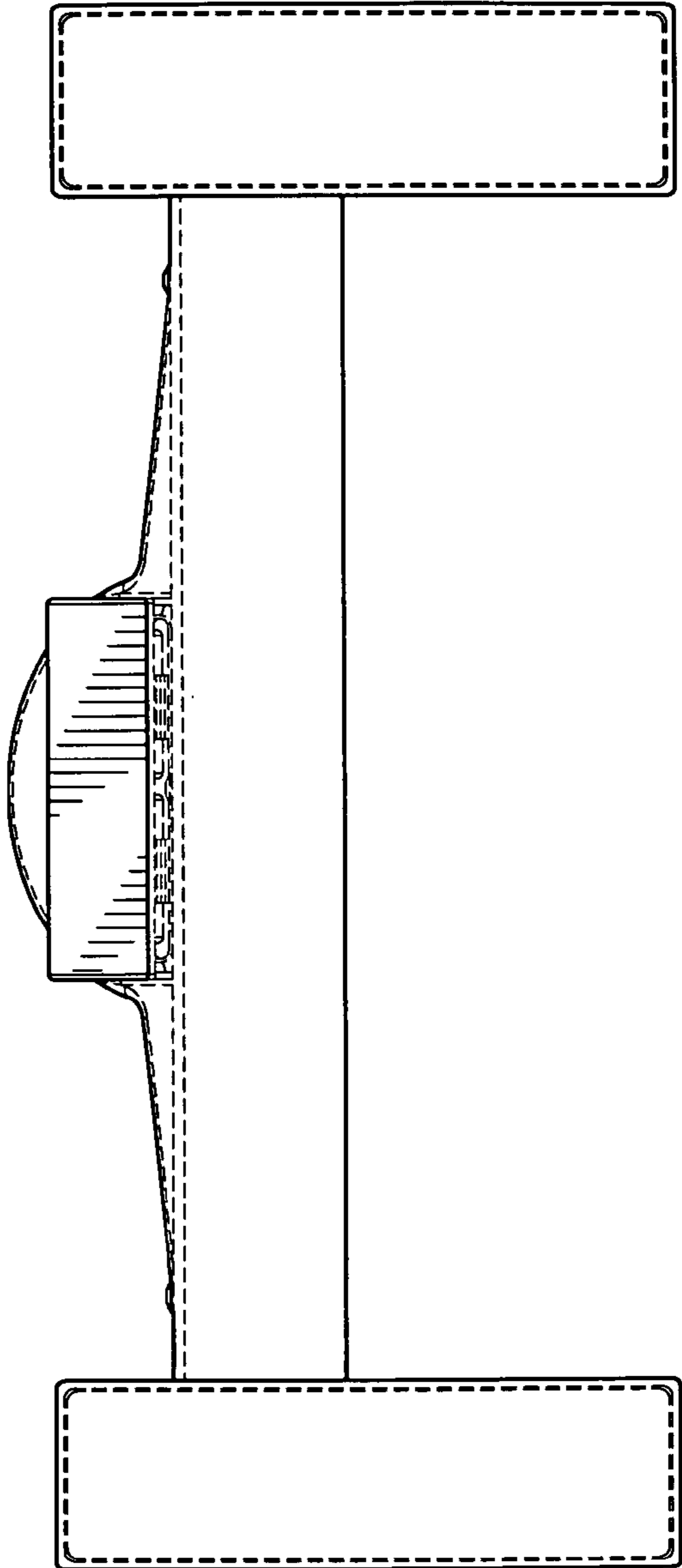


FIG. 4

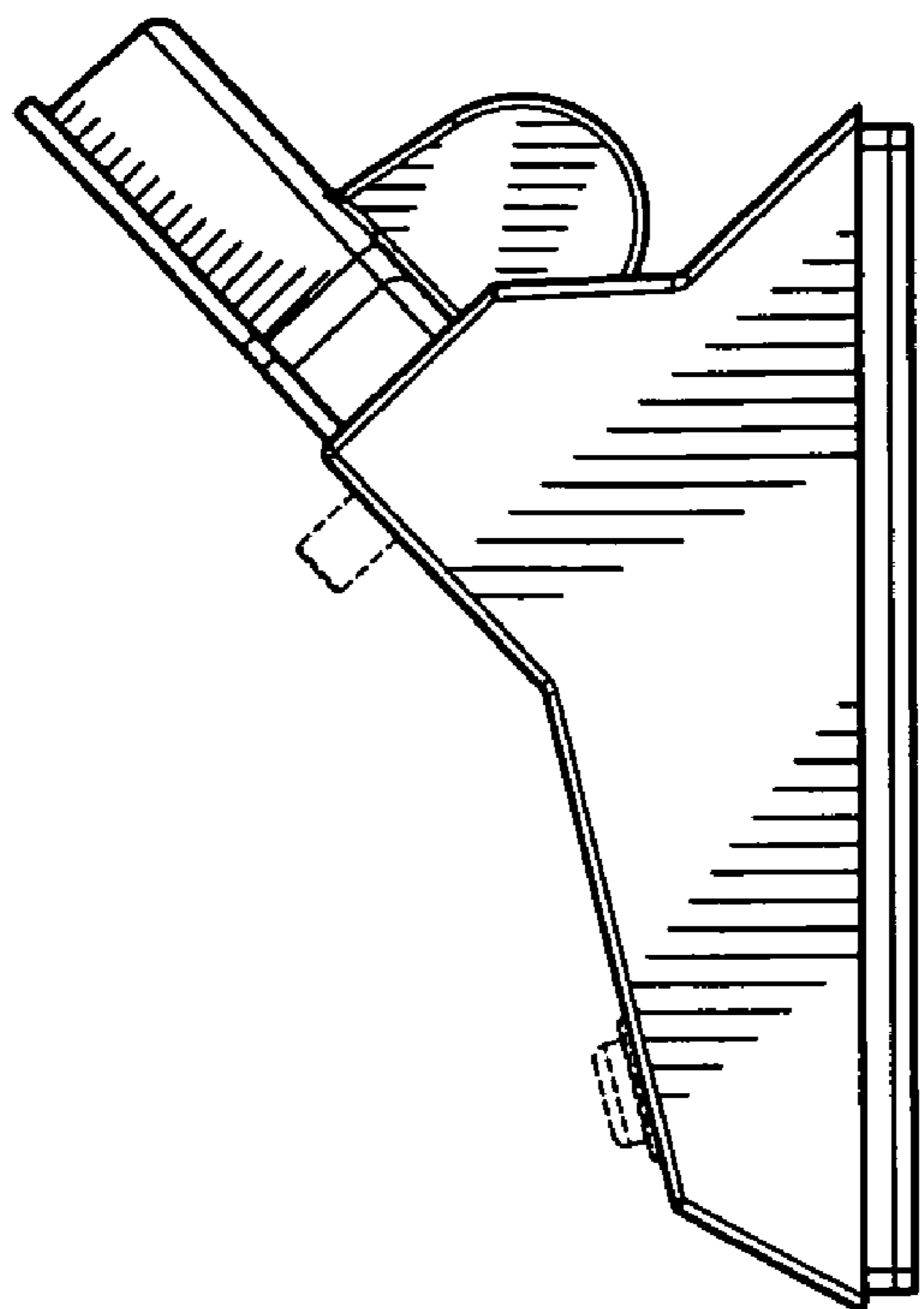


FIG. 5

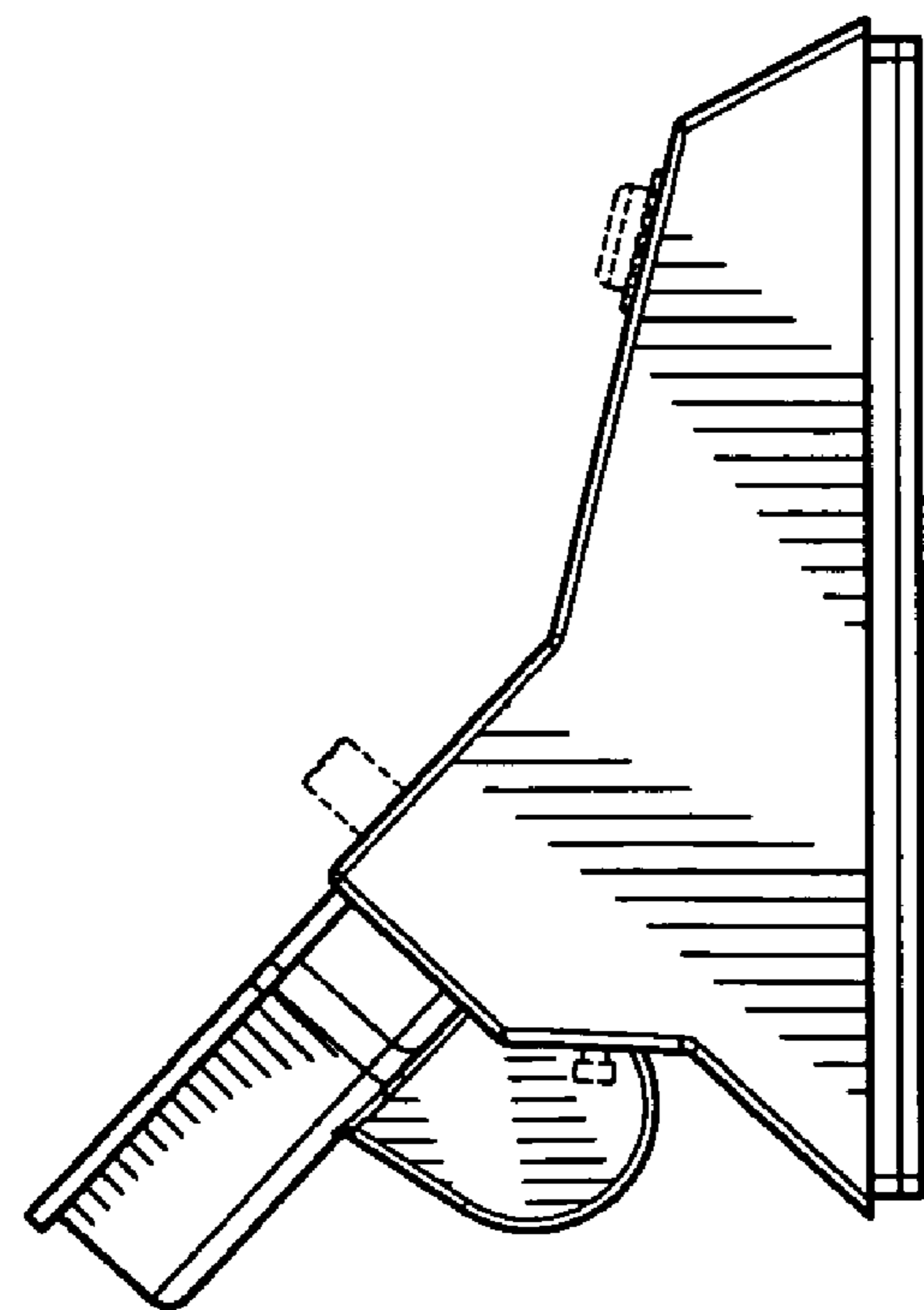


FIG. 6