



US00D608401S

(12) **United States Design Patent**
Campanaro et al.

(10) **Patent No.:** **US D608,401 S**
(45) **Date of Patent:** **** Jan. 19, 2010**

(54) **ABDOMINAL EXERCISE APPARATUS**

(75) Inventors: **Thomas J. Campanaro**, Rancho Santa Fe, CA (US); **Charles Joseph Mahon**, Downingtown, PA (US); **Dan McCutcheon**, San Diego, CA (US)

(73) Assignee: **Total Gym Fitness, LLC**, West Chester, PA (US)

(**) Term: **14 Years**

(21) Appl. No.: **29/333,334**

(22) Filed: **Mar. 6, 2009**

(51) **LOC (9) Cl.** **21-02**

(52) **U.S. Cl.** **D21/687; D21/662**

(58) **Field of Classification Search** D21/687, D21/686, 662, 694, 692, 797, 689, 698, 788; 482/124, 125, 129, 142, 137, 96; 248/121, 248/125.1; 297/461; D8/45

See application file for complete search history.

(56) **References Cited**

U.S. PATENT DOCUMENTS

3,658,327 A	4/1972	Thiede	
4,004,801 A	1/1977	Campanaro et al.	
4,101,124 A	7/1978	Mahnke	
4,383,684 A	5/1983	Schliep	
D289,882 S *	5/1987	Gringer	D8/45
4,706,953 A	11/1987	Graham	
4,911,438 A	3/1990	Van Straaten	
5,169,363 A	12/1992	Campanaro et al.	
5,224,914 A	7/1993	Friedman	
D364,902 S *	12/1995	Fleming	D21/686
5,545,114 A	8/1996	Gvoich	
D381,378 S	7/1997	Colonello et al.	
D383,811 S *	9/1997	Ho	D21/686
D385,930 S	11/1997	Chen	
5,725,463 A	3/1998	Colonello et al.	
5,752,901 A	5/1998	Lee	
D405,132 S	2/1999	Westfall et al.	
D408,477 S *	4/1999	Arnold et al.	D21/668
5,938,571 A	8/1999	Stevens	

5,967,955 A	10/1999	Westfall et al.	
6,117,055 A *	9/2000	Boland	482/121
6,117,057 A	9/2000	Olschansky et al.	
6,186,926 B1 *	2/2001	Ellis	482/97
6,220,995 B1	4/2001	Chen	
6,390,960 B1	5/2002	Boland	
D476,921 S *	7/2003	Mehrmann et al.	D12/11
D496,701 S	9/2004	Chung	
6,966,871 B2	11/2005	Parmater	
7,220,221 B2 *	5/2007	Mosimann et al.	482/100
D544,050 S *	6/2007	Webber	D21/686

(Continued)

Primary Examiner—Robert M Spear

Assistant Examiner—Cynthia Underwood

(74) *Attorney, Agent, or Firm*—Stephen C. Beuerle; Procopio Cory Hargreaves & Savitch LLP

(57) **CLAIM**

The ornamental design for an abdominal exercise apparatus, as shown and described.

DESCRIPTION

FIG. 1 is a perspective view of the abdominal exercise apparatus shown attached to an inclinable exercise device;

FIG. 2 is a perspective view of the abdominal exercise apparatus shown attached to the inclinable exercise device, similar to FIG. 1, and shows a user on the inclinable exercise device and using the abdominal exercise apparatus;

FIG. 3 is a rear elevational view of the abdominal exercise apparatus;

FIG. 4 is a right side elevational view thereof;

FIG. 5 is a front elevational view thereof;

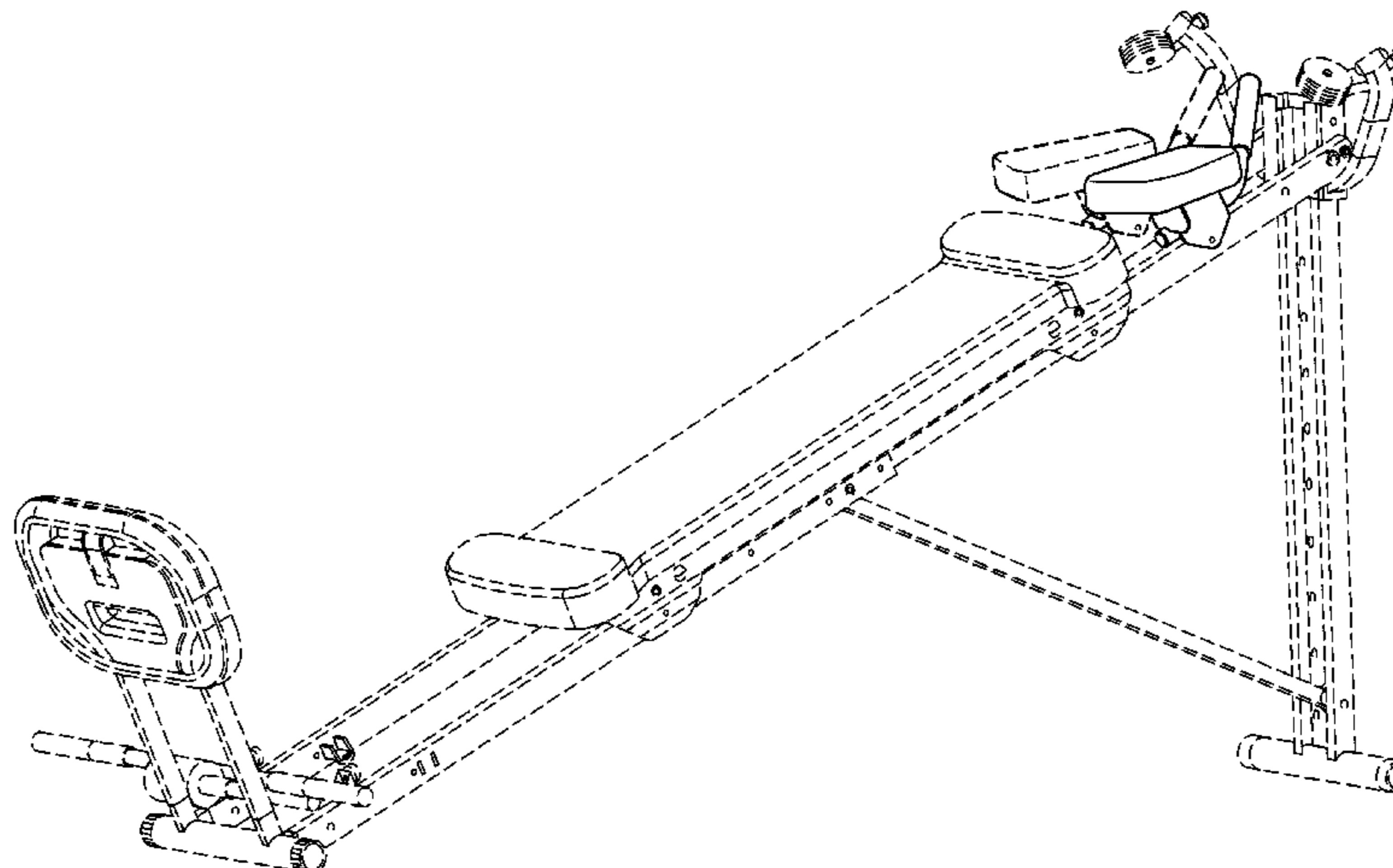
FIG. 6 is a top plan view thereof;

FIG. 7 is a bottom plan view thereof; and,

FIG. 8 is a left side elevational view thereof.

The broken lines are for environmental purposes only and form no part of the claimed design. The inclinable exercise device and the user form no part of the claimed design.

1 Claim, 3 Drawing Sheets



US D608,401 S

Page 2

U.S. PATENT DOCUMENTS			
	2002/0082146	A1*	6/2002 Stearns 482/54
	2007/0093369	A1	4/2007 Bocchicchio
	2009/0018000	A1	1/2009 Brown et al.
D574,901	S	*	8/2008 Campanaro et al. D21/687
D585,947	S	*	2/2009 Royster D21/662
2001/0056011	A1		12/2001 Endelman et al.

* cited by examiner

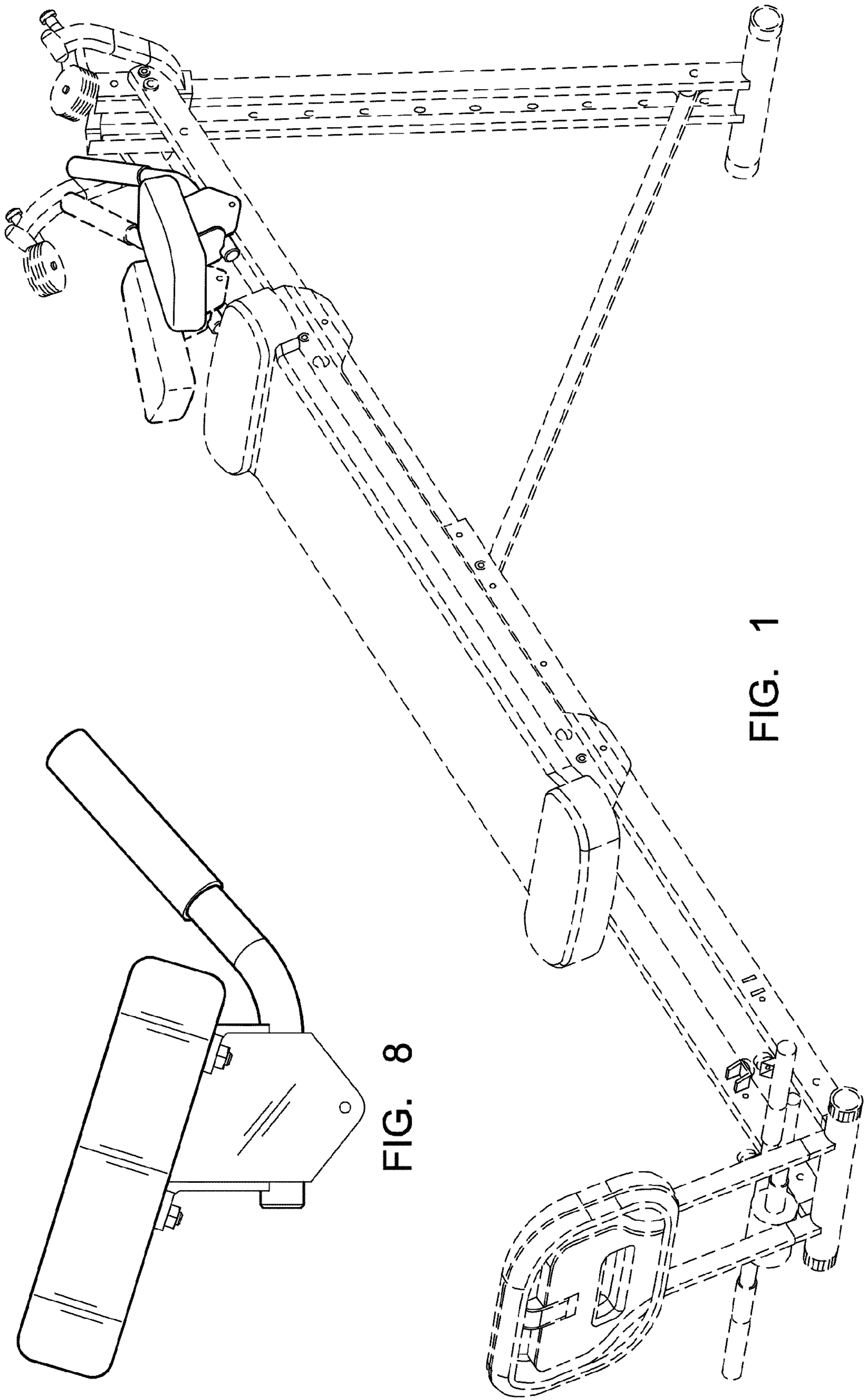


FIG. 1

FIG. 8

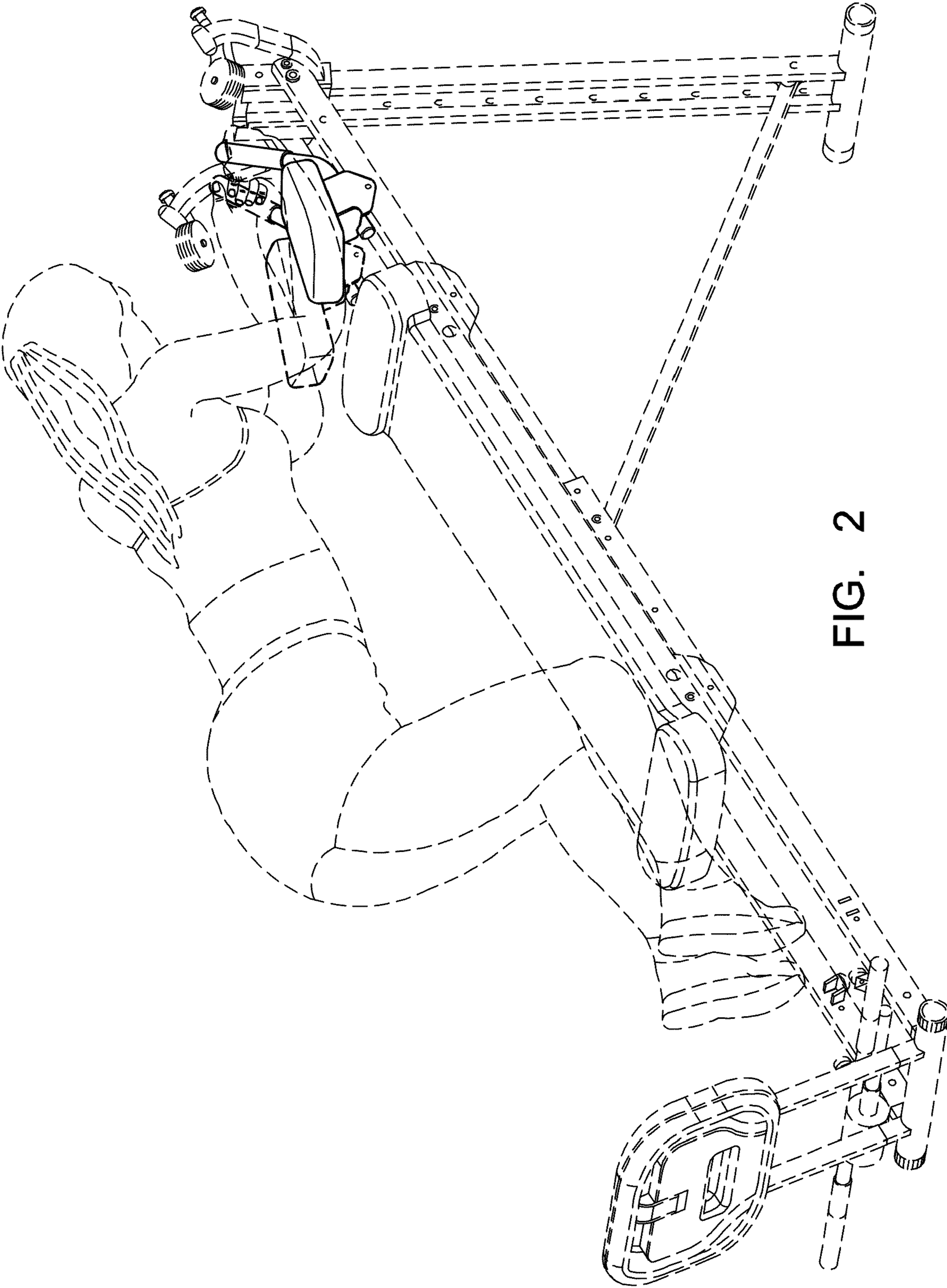


FIG. 2

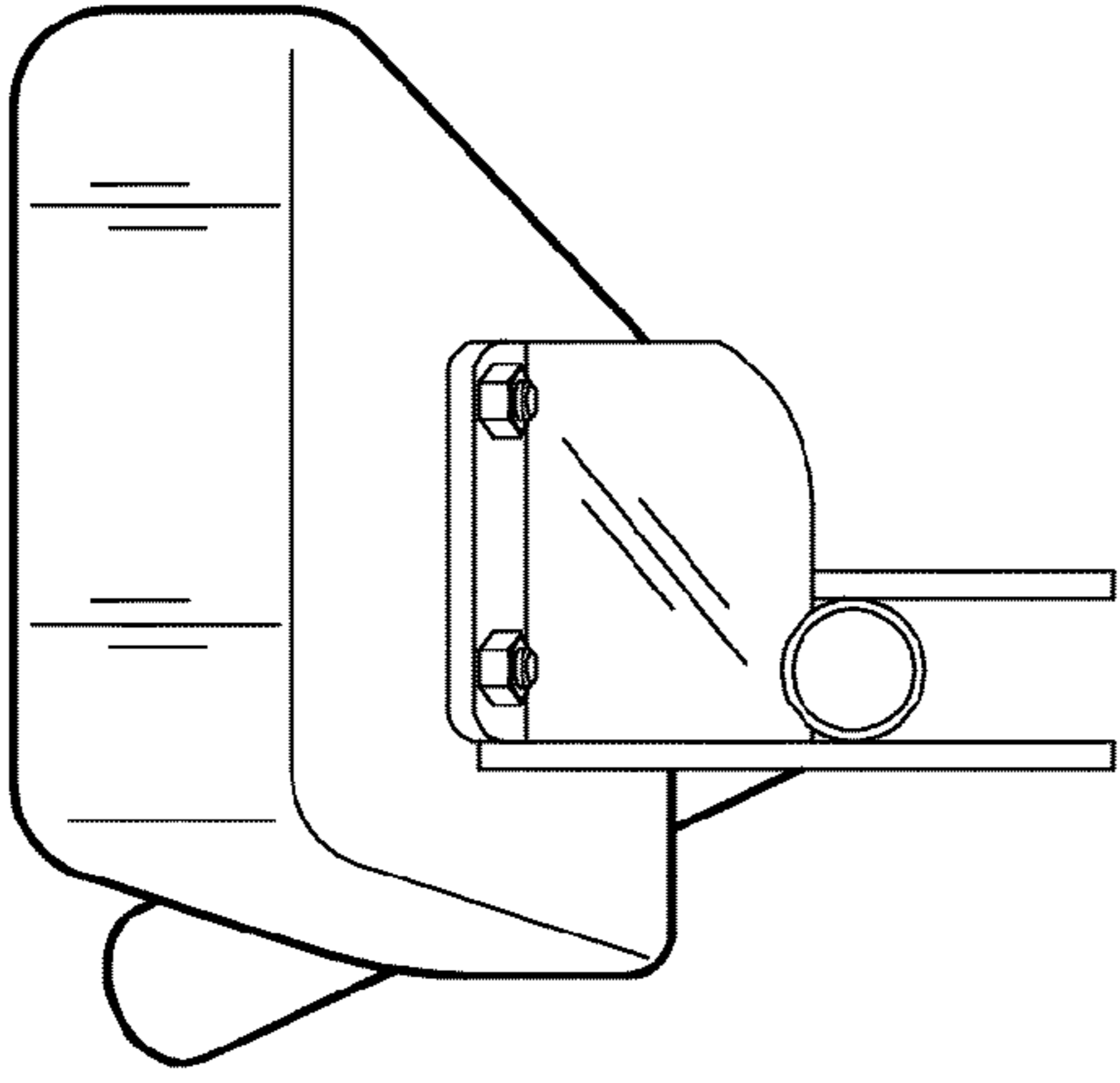


FIG. 3

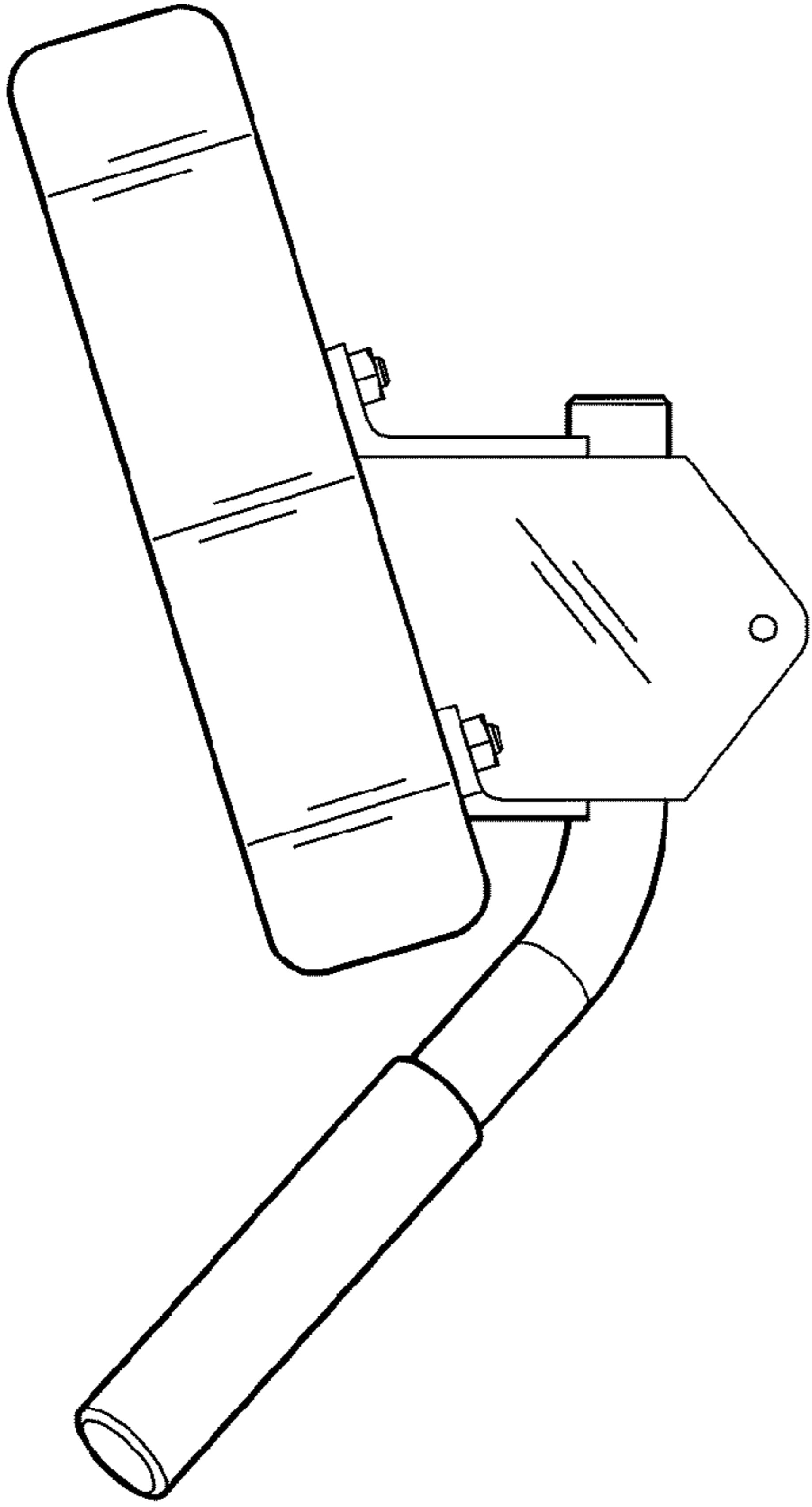


FIG. 4

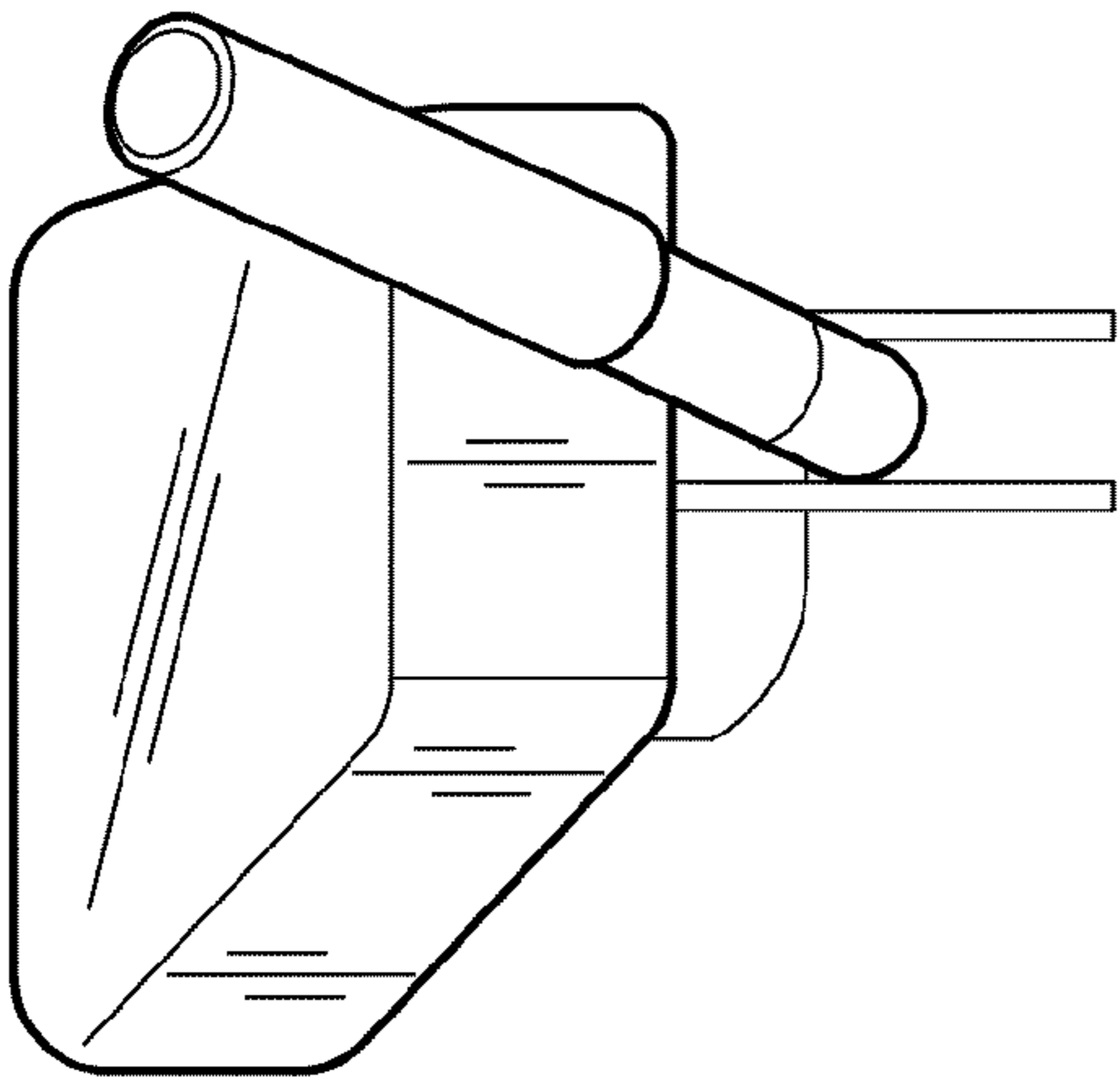


FIG. 5

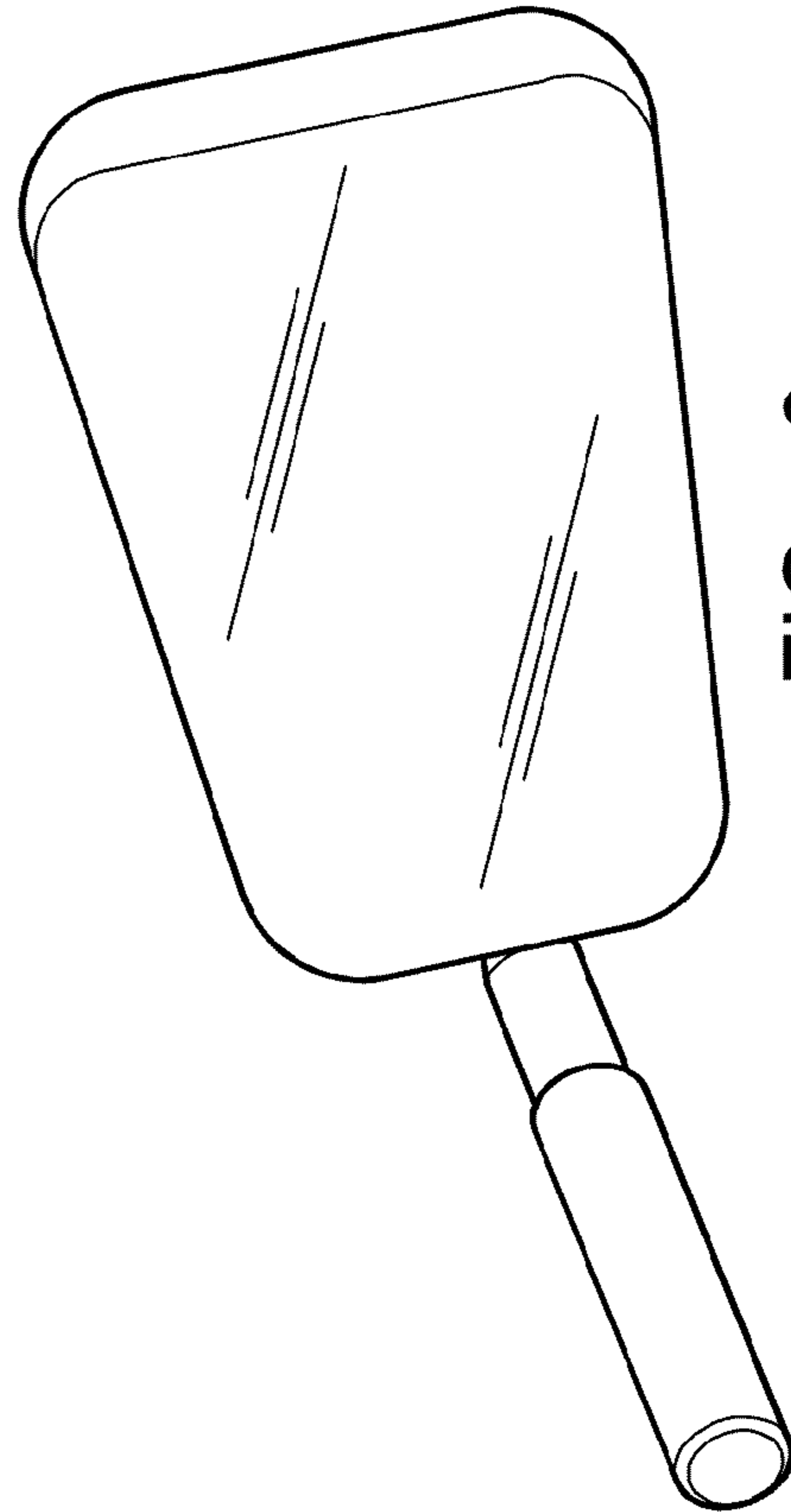


FIG. 6

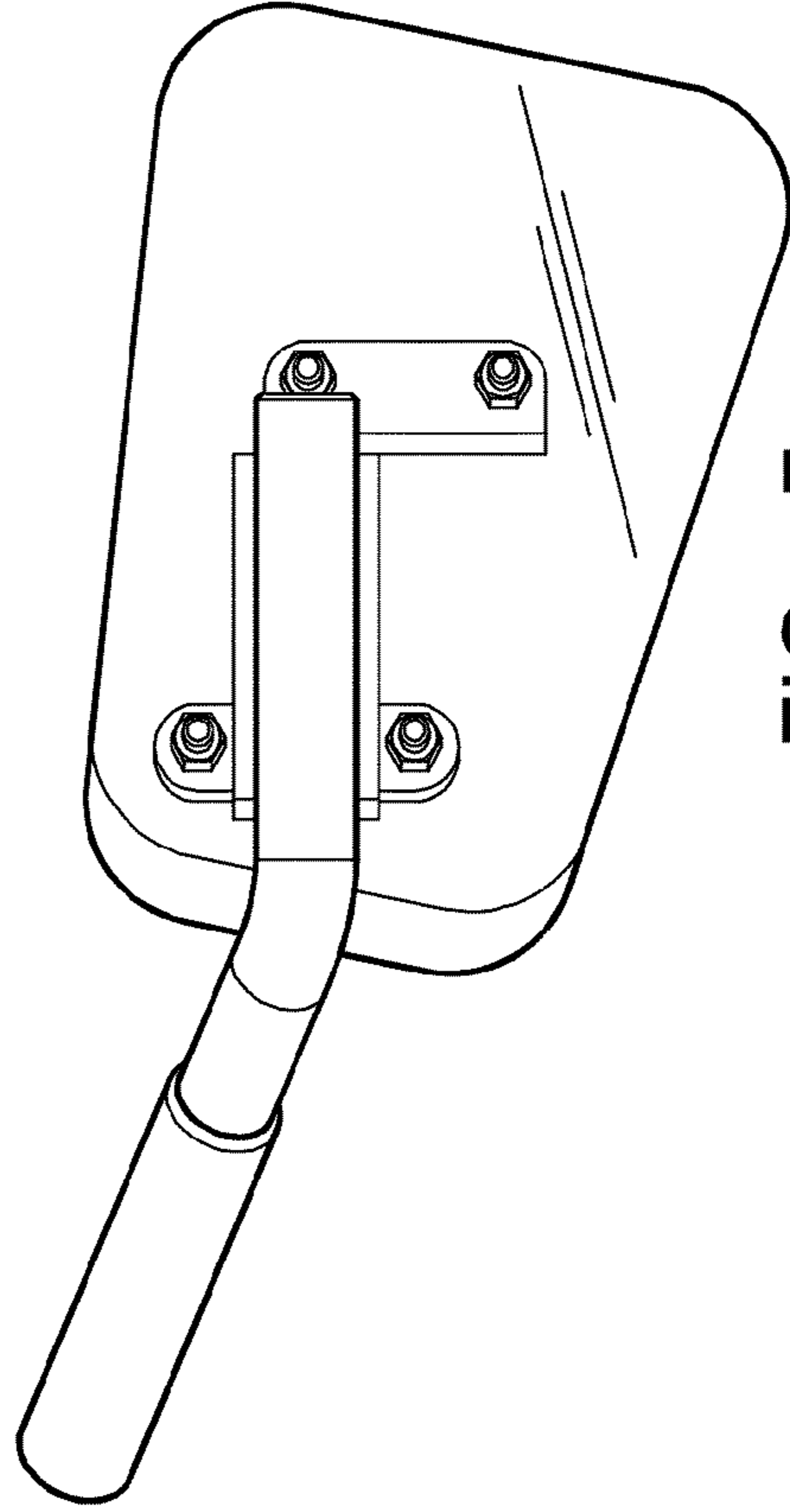


FIG. 7