



US00D608400S

(12) **United States Design Patent**
Ryaa

(10) **Patent No.:** **US D608,400 S**
(45) **Date of Patent:** **** Jan. 19, 2010**

(54) **TOY ELEMENT FOR A BUILDING SET**

(75) Inventor: **Jan Ryaa**, Billund (DK)

(73) Assignee: **Lego A/S**, Billund (DK)

(**) Term: **14 Years**

(21) Appl. No.: **29/315,115**

(22) Filed: **May 27, 2009**

(30) **Foreign Application Priority Data**

Nov. 28, 2008 (EM) 001050645

(51) **LOC (9) Cl.** **21-01**

(52) **U.S. Cl.** **D21/500; D21/503**

(58) **Field of Classification Search** D21/484–485,
D21/488, 491–495, 500–504; D25/113,
D25/114, 118; 446/69, 89, 92, 102–128;
434/259, 208, 403; 273/153, 156, 160
See application file for complete search history.

(56) **References Cited**

U.S. PATENT DOCUMENTS

1,678,709 A * 7/1928 Schurmann 446/111
4,352,255 A * 10/1982 Warehime 446/120
4,548,590 A * 10/1985 Green 446/120
D307,775 S * 5/1990 Pedersen D21/500
D329,067 S * 9/1992 Skov D21/484
D333,851 S * 3/1993 Olsen D21/502

5,209,693 A * 5/1993 Lyman 446/104
5,913,706 A * 6/1999 Glickman et al. 446/97
D412,946 S * 8/1999 Pagel D21/500
D413,942 S * 9/1999 Rudy D21/500
D415,217 S * 10/1999 Rudy D21/503
D545,919 S * 7/2007 Sorensen D21/484

* cited by examiner

Primary Examiner—Philip S Hyder

Assistant Examiner—Cynthia M Chin

(74) *Attorney, Agent, or Firm*—Day Pitney LLP

(57) **CLAIM**

The ornamental design for a toy element for a building set, as shown and described.

DESCRIPTION

FIG. 1 is a top perspective view of my design for a toy element for a building set;

FIG. 2 is a bottom perspective view thereof;

FIG. 3 is a front view thereof;

FIG. 4 is a rear view thereof;

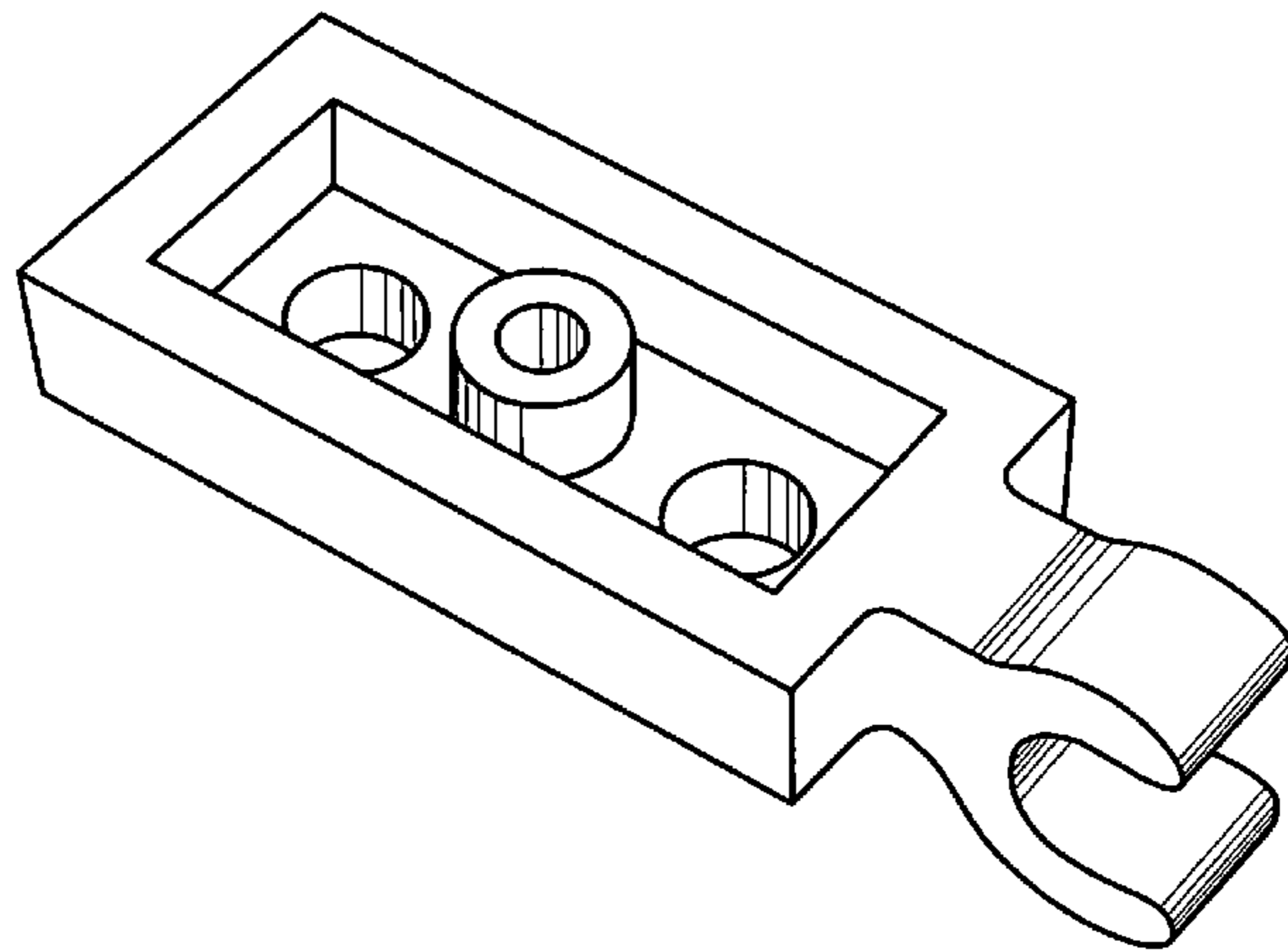
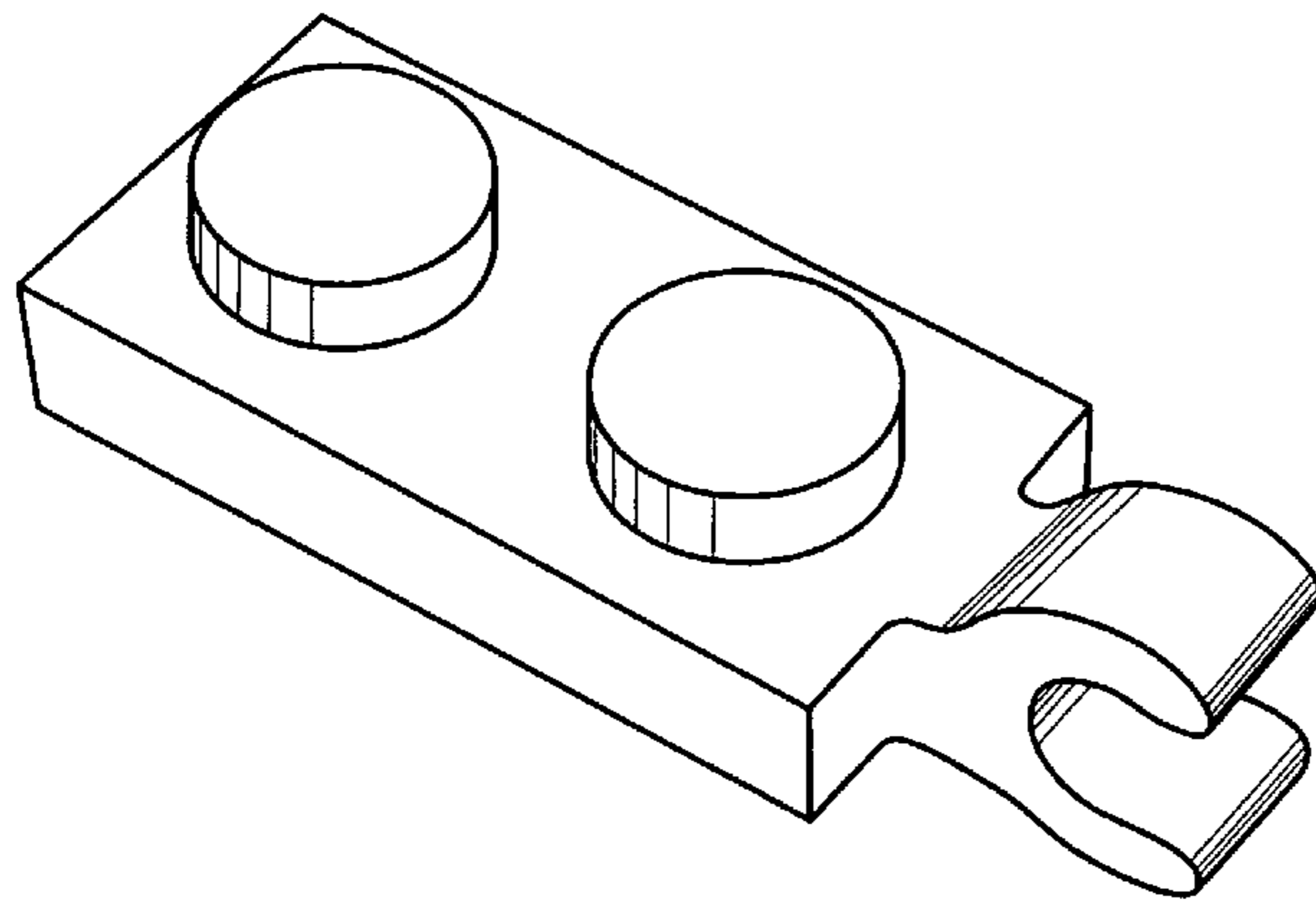
FIG. 5 is a right side view thereof;

FIG. 6 is a left side view thereof;

FIG. 7 is a top plan view thereof; and,

FIG. 8 is a bottom plan view thereof.

1 Claim, 8 Drawing Sheets



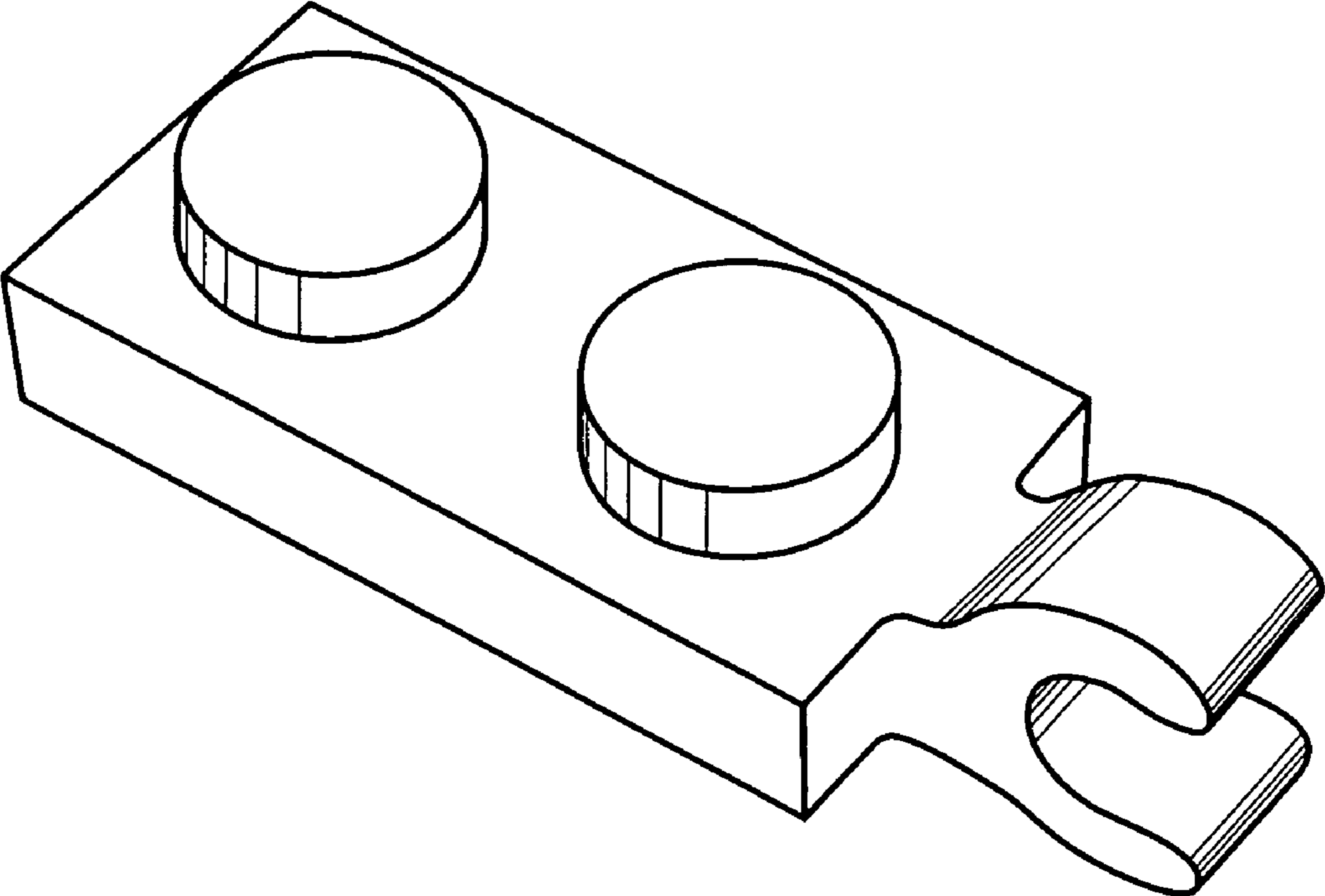


FIG. 1

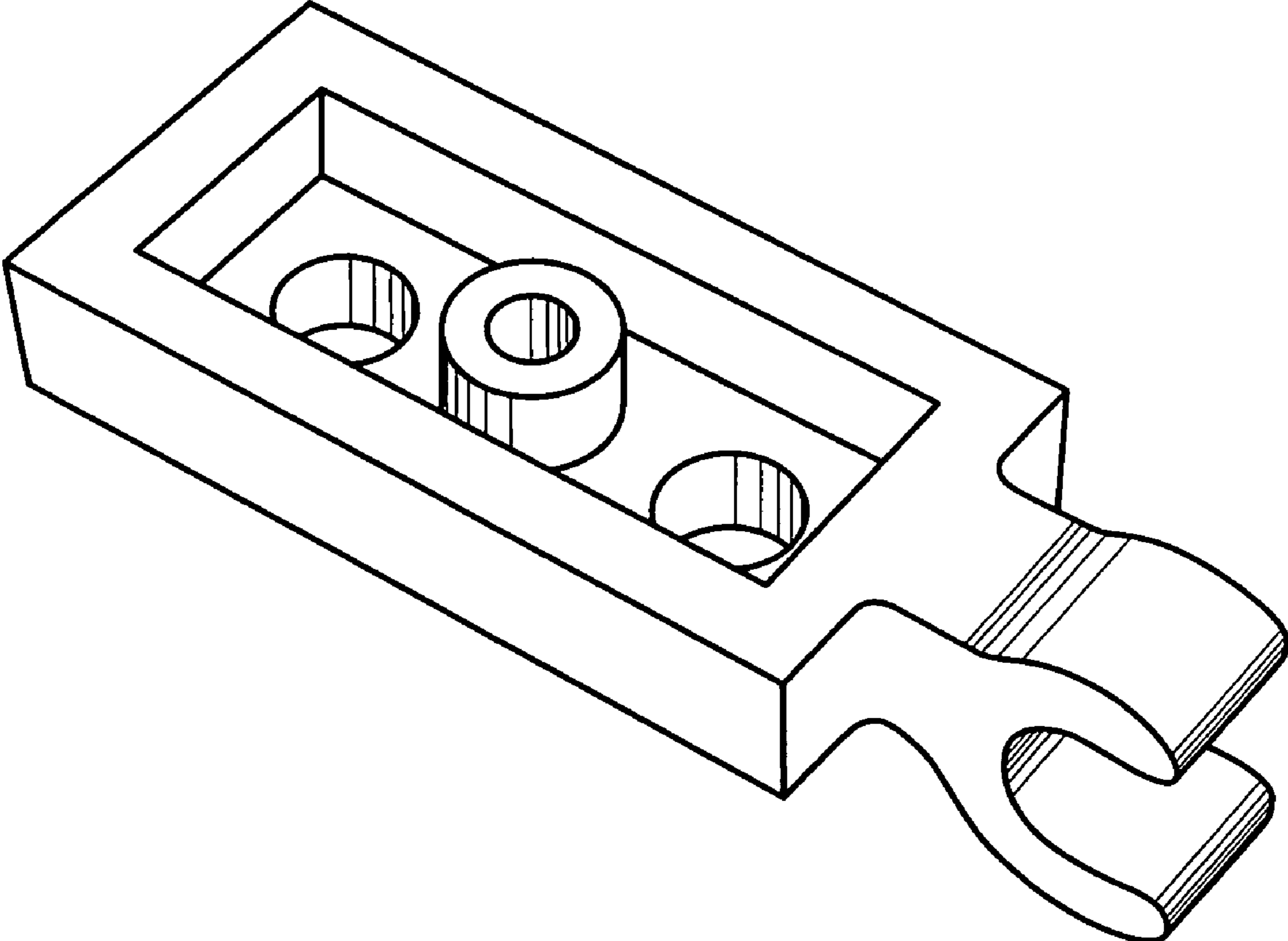


FIG. 2

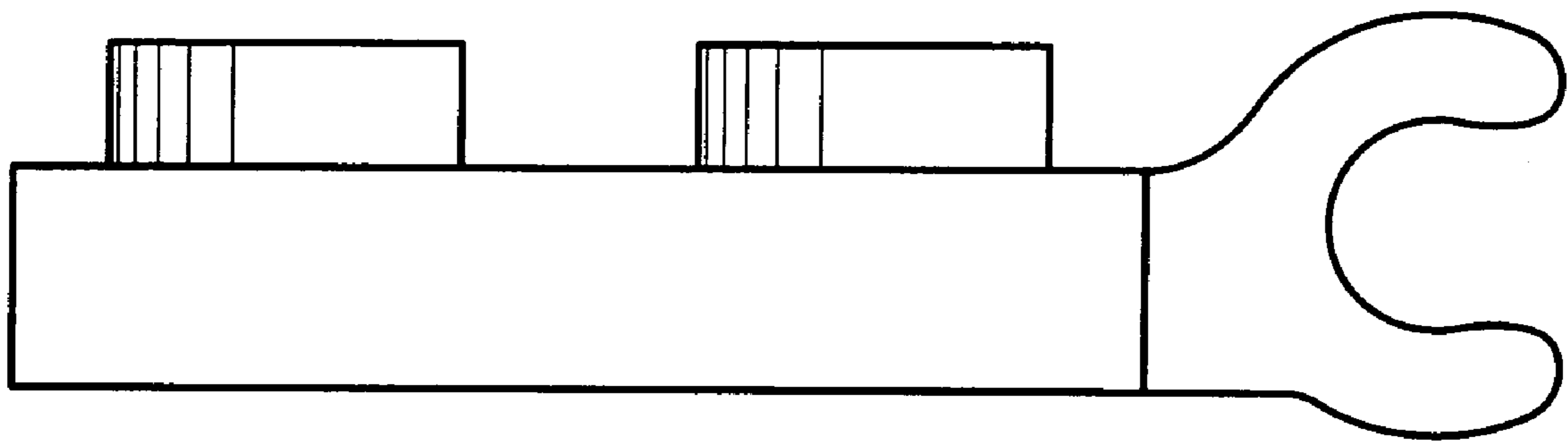


FIG. 3

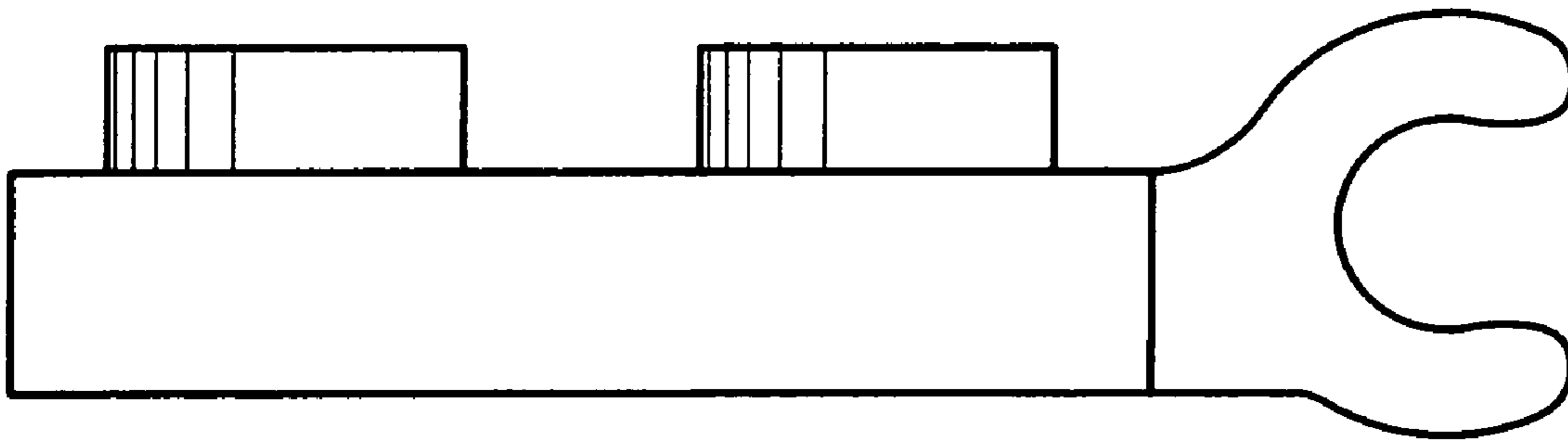


FIG. 4

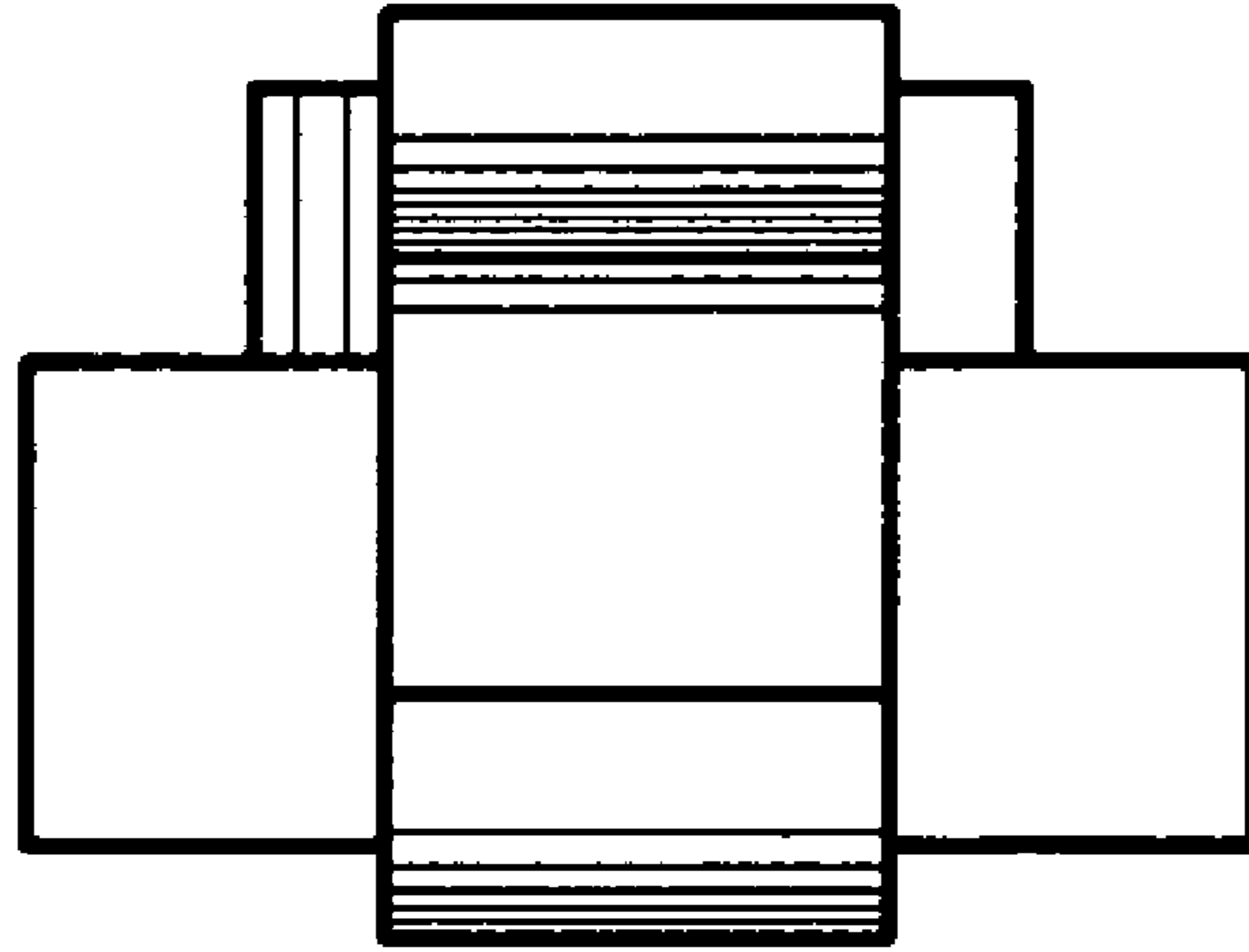


FIG. 5

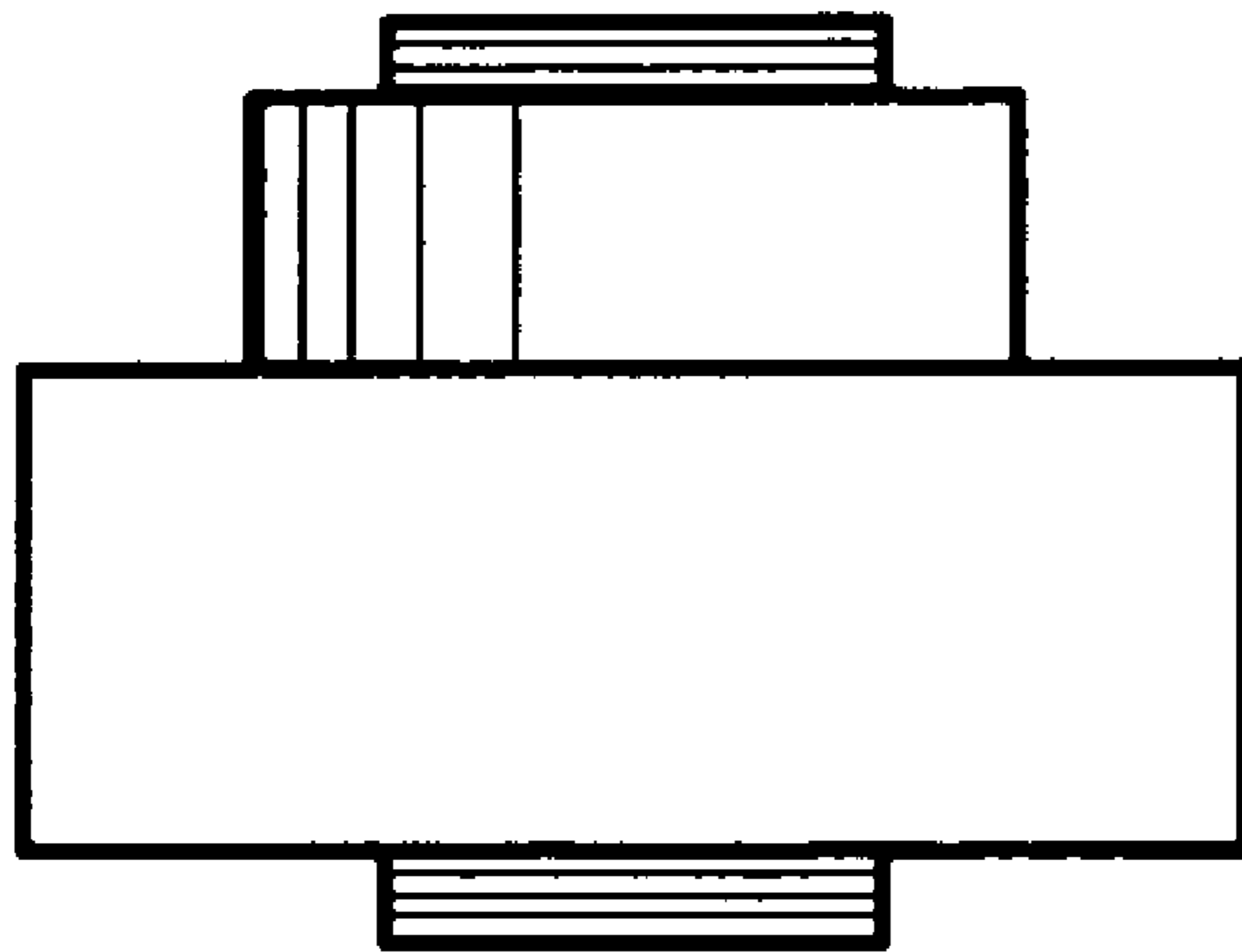


FIG. 6

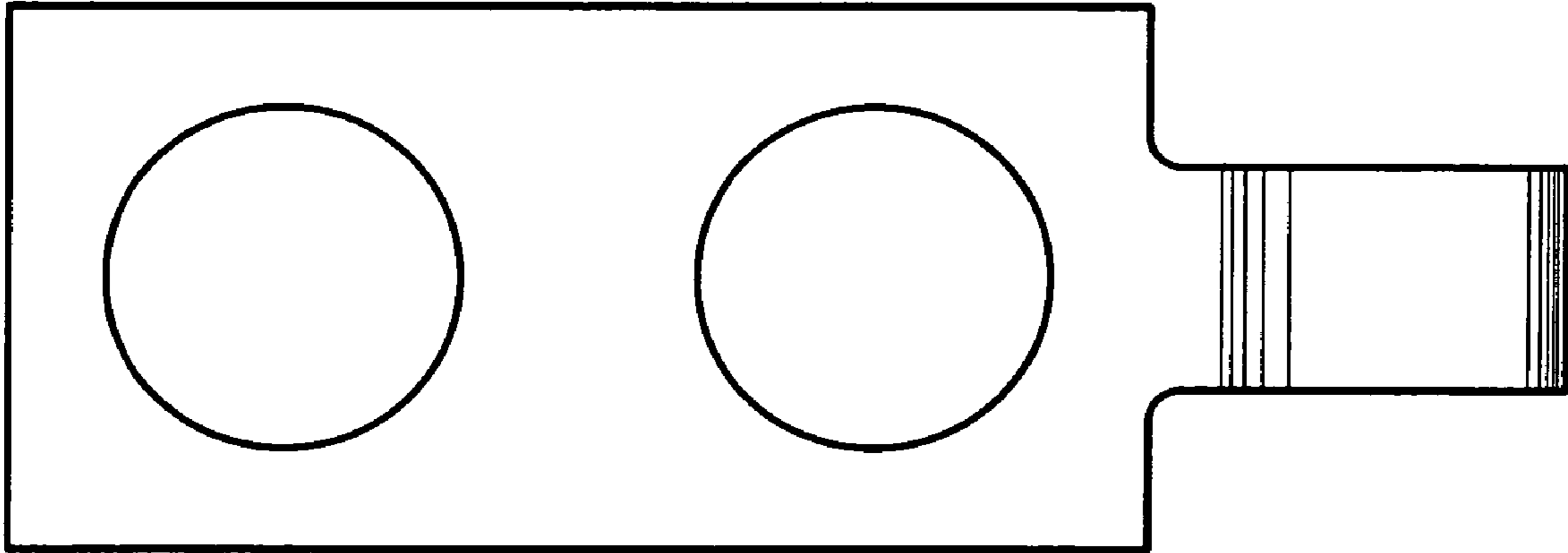


FIG. 7

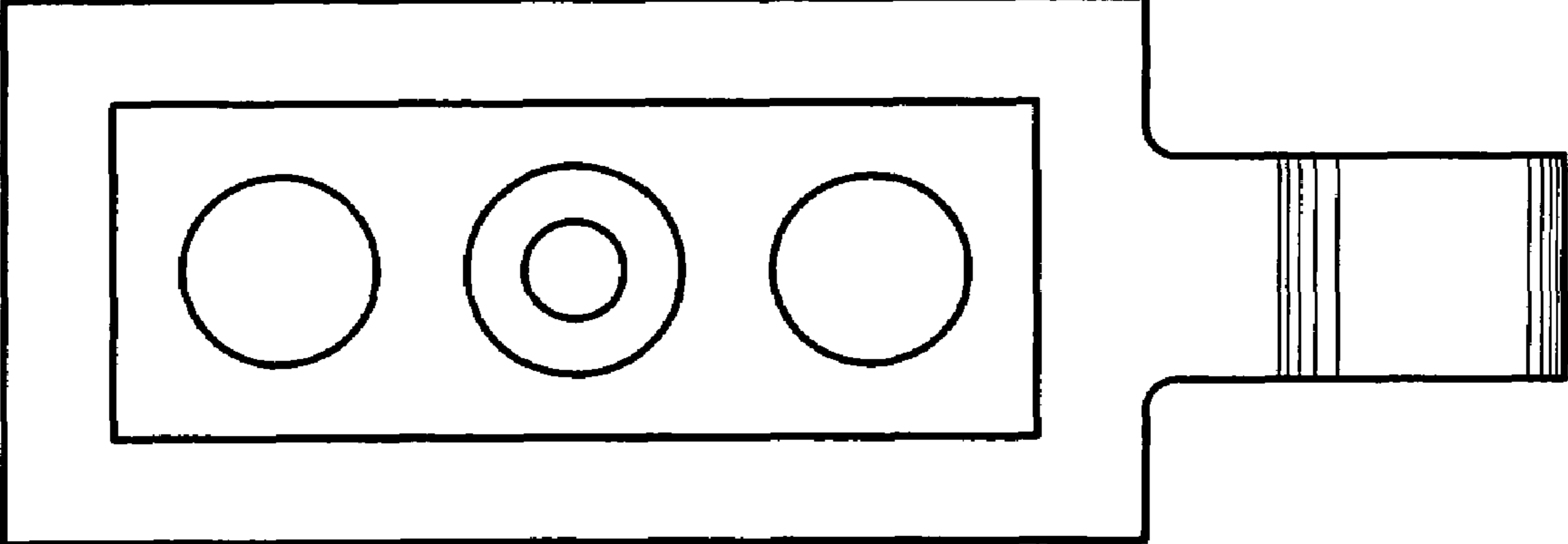


FIG. 8