



US00D608399S

(12) **United States Design Patent**
McLaughlin

(10) **Patent No.:** **US D608,399 S**
(45) **Date of Patent:** **** Jan. 19, 2010**

(54) **RECREATIONAL KID'S MATE**
(75) Inventor: **Ronald J. McLaughlin**, Villa Rica, GA (US)
(73) Assignee: **McLaughlin Enterprise International, Inc.**, Atlanta, GA (US)

6,497,424 B2 12/2002 Gartner et al.
D483,419 S * 12/2003 Chiappetta et al. D21/425
D499,774 S * 12/2004 Dong D21/599
7,055,983 B1 6/2006 Baker et al.
D527,678 S * 9/2006 Warner D21/599
7,155,859 B1 1/2007 Brooks
7,278,234 B2 10/2007 Marino
7,299,582 B1 11/2007 Whitehead
7,309,106 B2 12/2007 Stallman
7,320,470 B1 1/2008 Butera
7,389,608 B1 6/2008 MacKay

(**) Term: **14 Years**
(21) Appl. No.: **29/312,559**

(22) Filed: **Oct. 30, 2008**

(51) **LOC (9) Cl.** **21-01**
(52) **U.S. Cl.** **D21/427; D21/592; D21/599**
(58) **Field of Classification Search** D21/425,
D21/427-428, 576, 578, 584-585, 587-592,
D21/595, 597-603; D22/136; 446/72, 97,
446/268-269, 369, 376, 451; 280/87.01,
280/87.021; D7/606

See application file for complete search history.

(56) **References Cited**

U.S. PATENT DOCUMENTS

D57,067 S * 2/1921 Wood D21/428
2,026,235 A * 12/1935 Korte 280/87.01
D244,047 S * 4/1977 Daverin et al. D21/428
4,128,170 A 12/1978 Elliott
D292,603 S * 11/1987 Shinn-Hsiung D21/599
4,841,661 A 6/1989 Moore
5,649,718 A 7/1997 Groglio
6,050,023 A 4/2000 Newell
D456,464 S * 4/2002 Nagasawa D21/599

* cited by examiner

Primary Examiner—Sandra Morris

(74) *Attorney, Agent, or Firm*—Bryan Cave, LLP

(57) **CLAIM**

I claim the ornamental design for a recreational kid's mate, as shown and described.

DESCRIPTION

FIG. 1 is a perspective view of the recreational kid's mate, showing my new design;

FIG. 2 is a front view thereof;

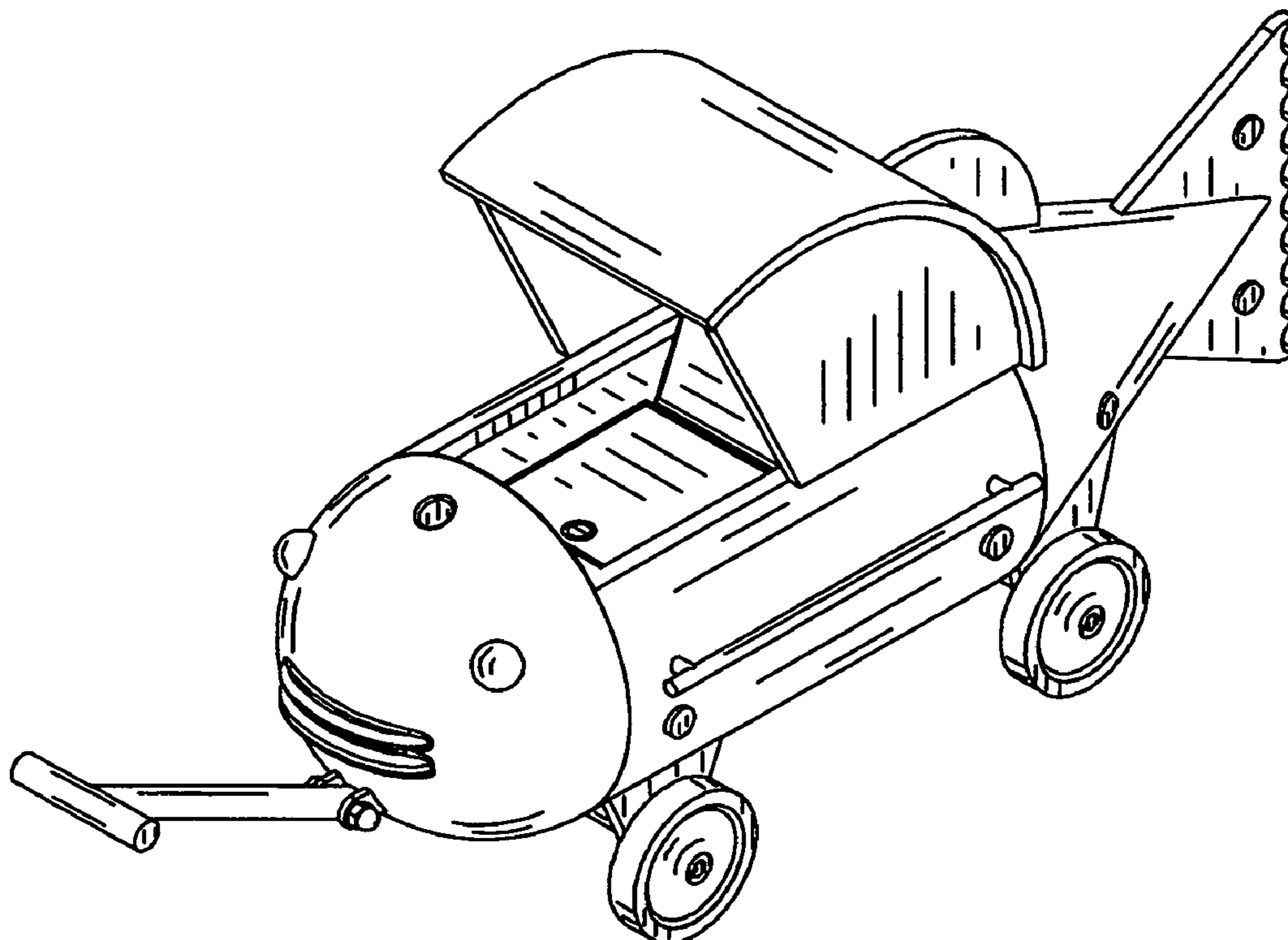
FIG. 3 is a rear view thereof;

FIG. 4 is a right view thereof, of which the left side is a mirror image;

FIG. 5 is a top view thereof; and,

FIG. 6 is a bottom view thereof.

1 Claim, 4 Drawing Sheets



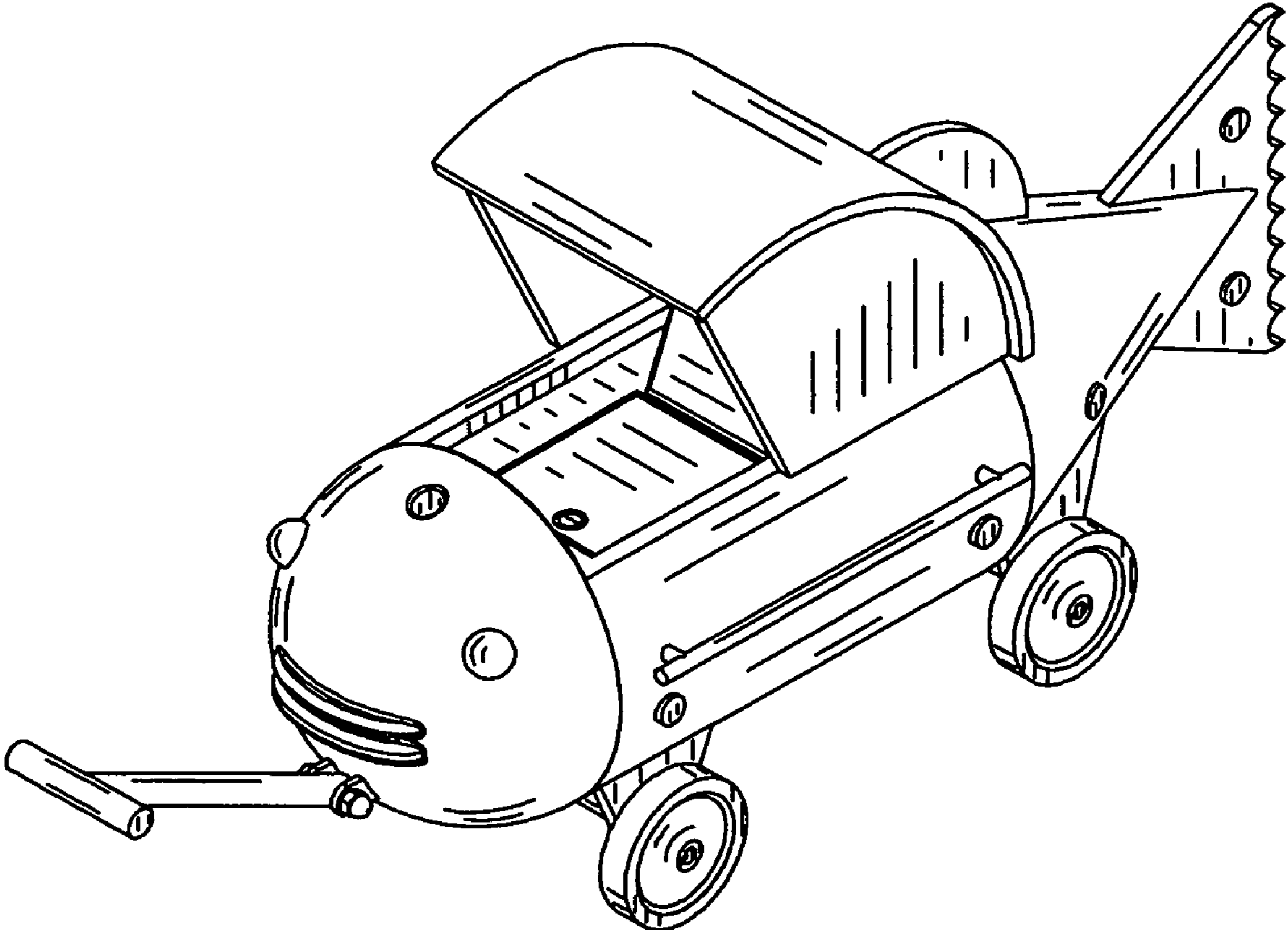


Fig. 1

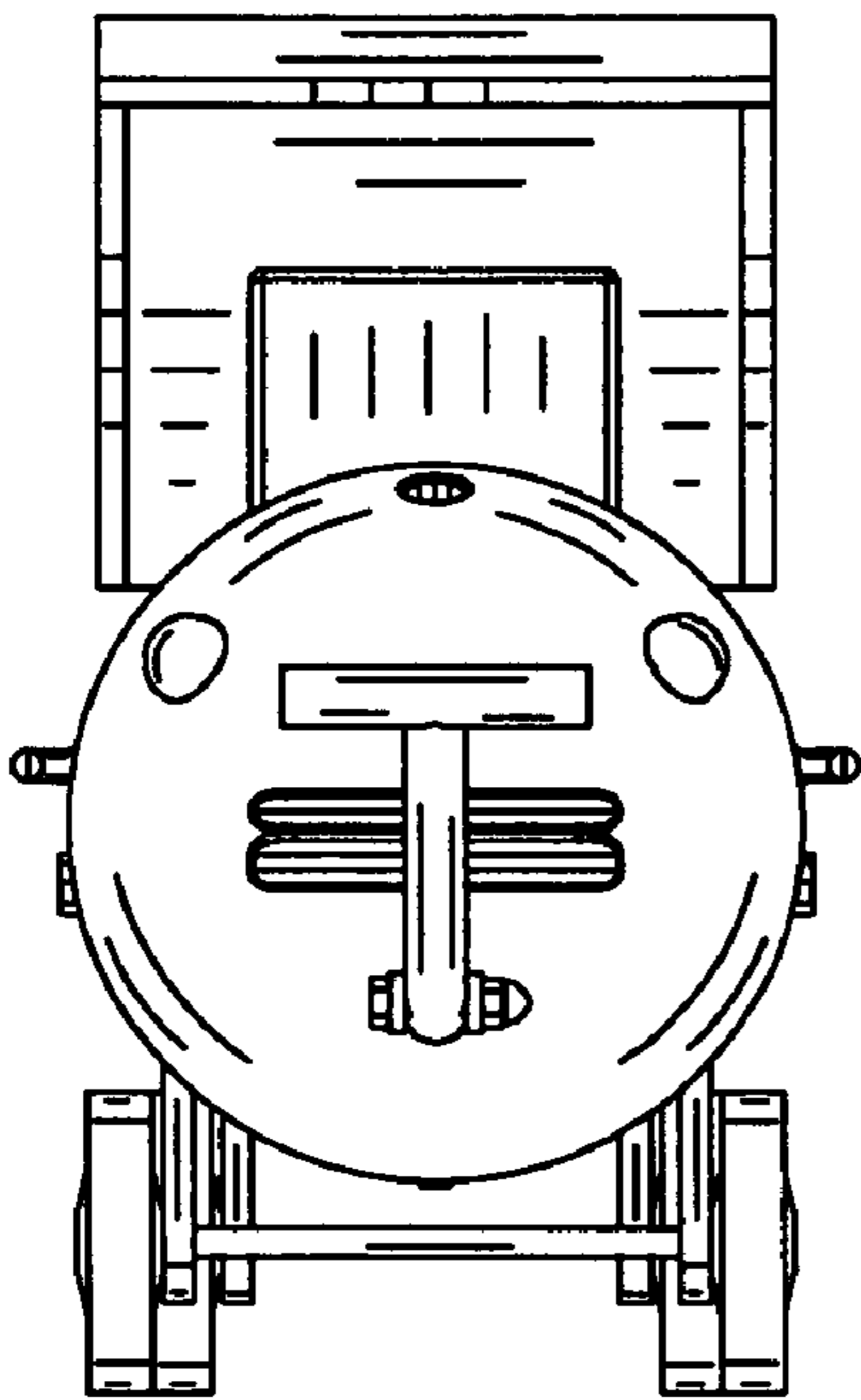


Fig. 2

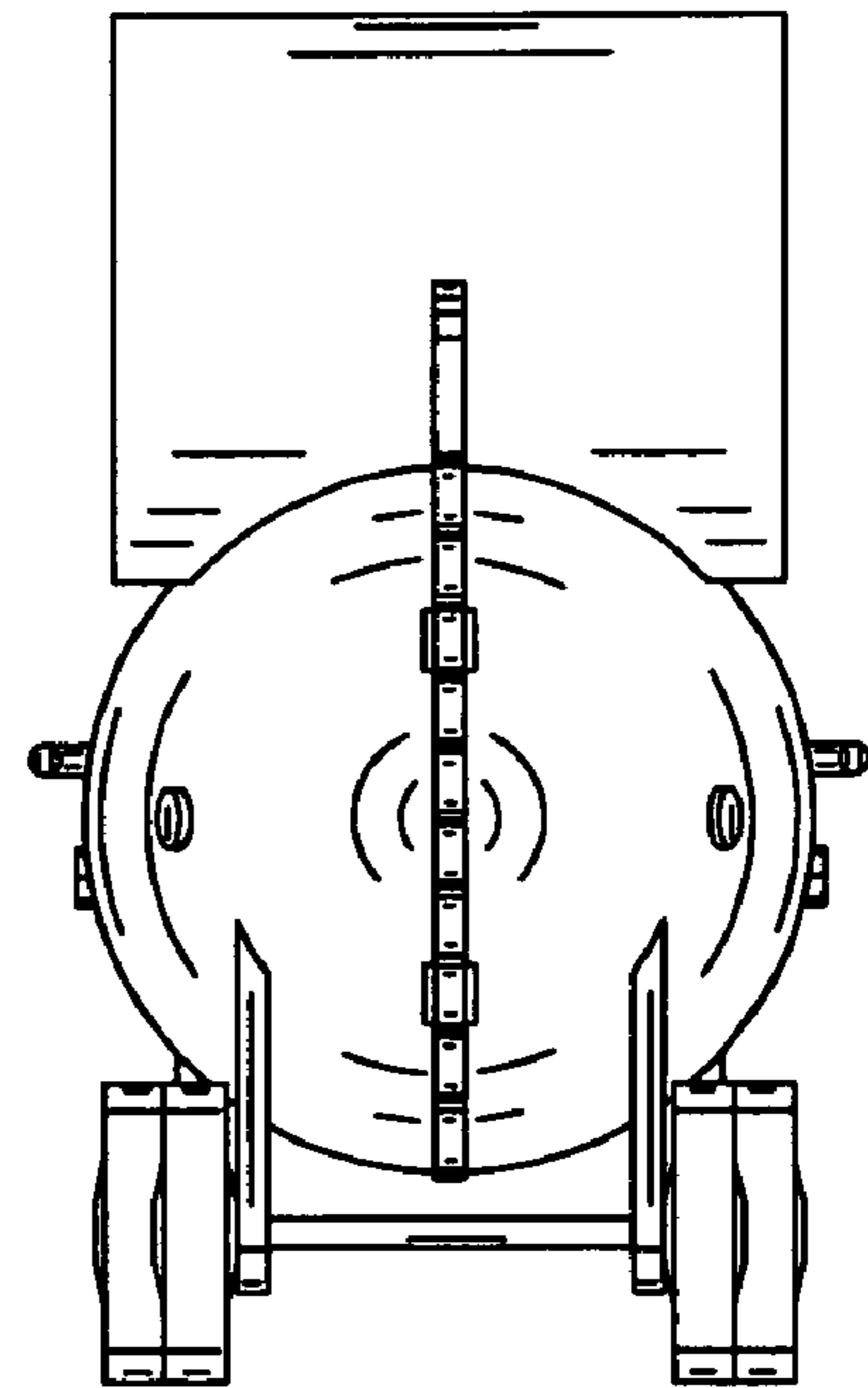


Fig. 3

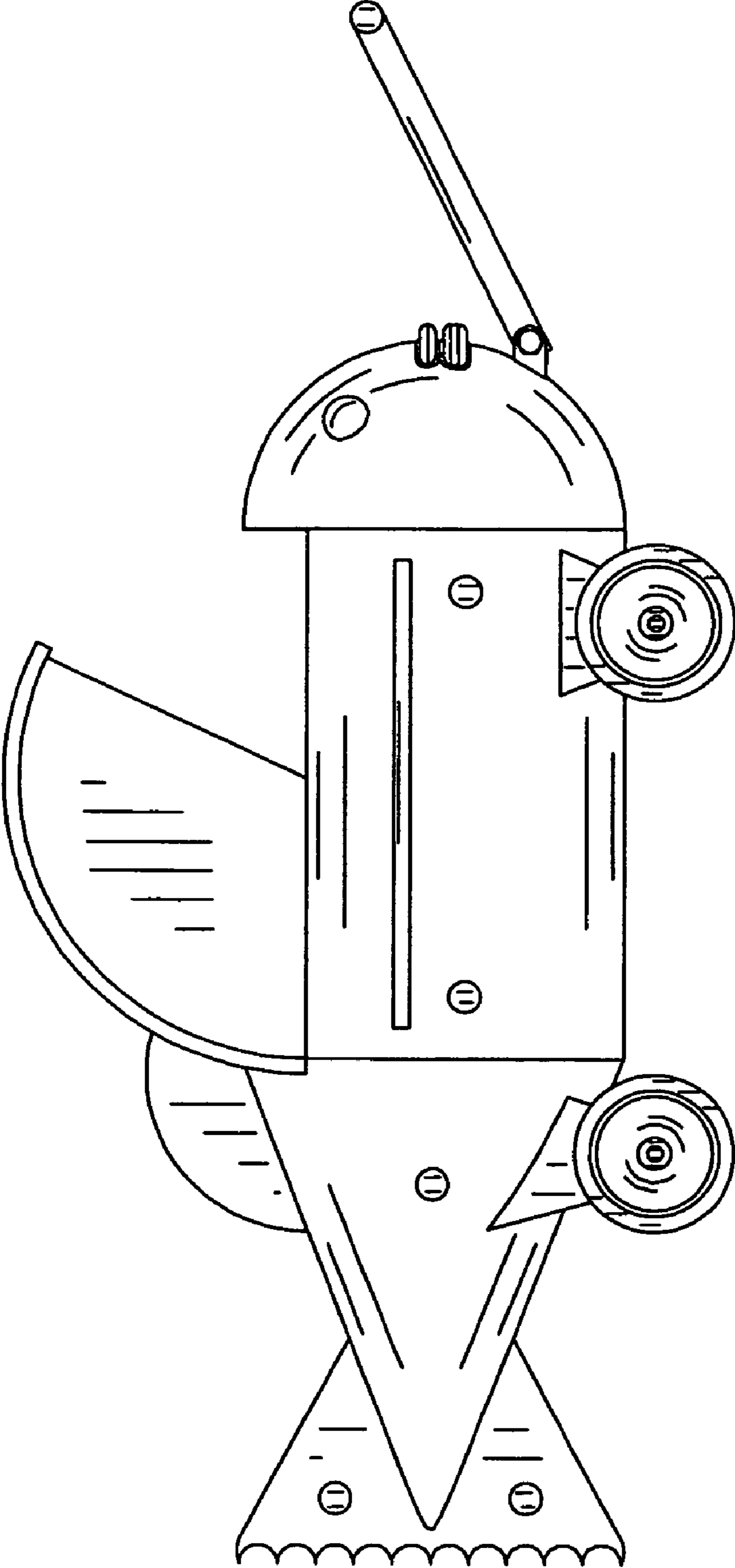


Fig. 4

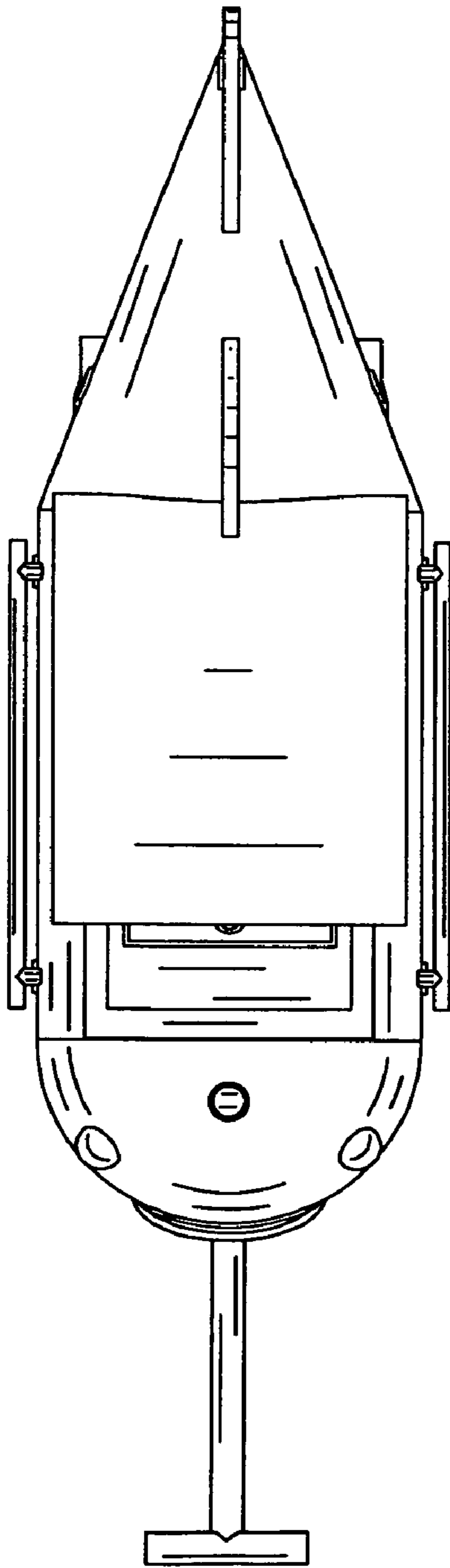


Fig. 5

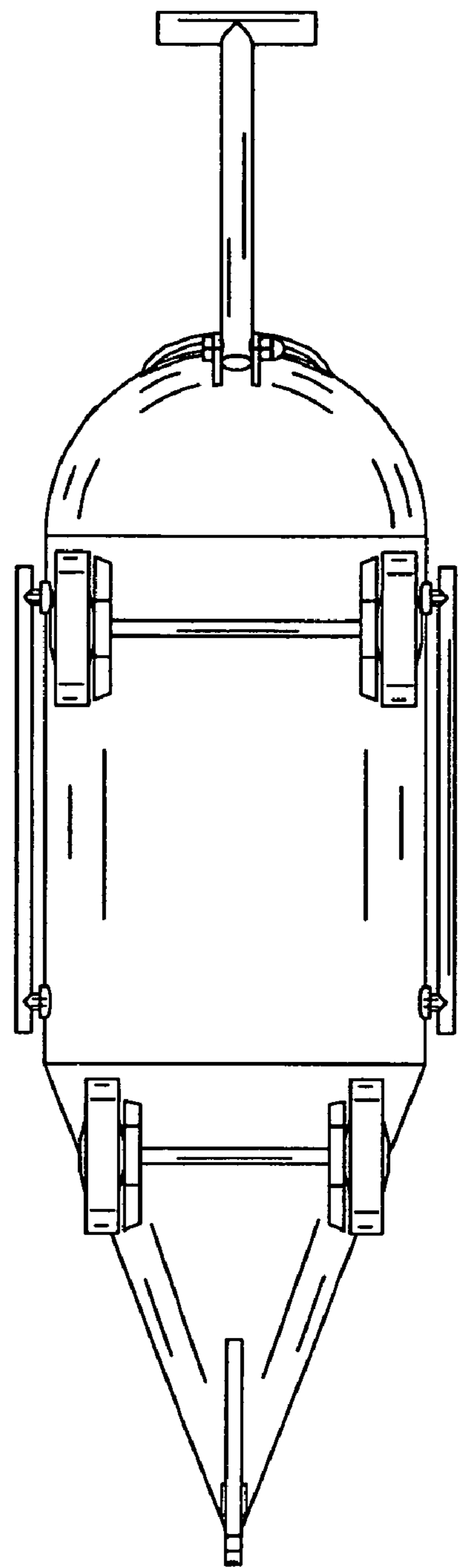


Fig. 6