



US00D608397S

(12) **United States Design Patent**
Kawanobe et al.

(10) **Patent No.:** **US D608,397 S**
(45) **Date of Patent:** **** Jan. 19, 2010**

(54) **COMMUNICATION CARTRIDGE FOR ELECTRONIC GAME MACHINE**

(75) Inventors: **Naoya Kawanobe**, Kyoto (JP); **Yuji Kawanobe**, legal representative, Sapporo (JP); **Masaki Amano**, Kyoto (JP)

(73) Assignee: **Nintendo Co., Ltd.**, Kyoto (JP)

(**) Term: **14 Years**

(21) Appl. No.: **29/287,435**

(22) Filed: **Aug. 6, 2007**

(30) **Foreign Application Priority Data**

Feb. 8, 2007 (JP) 2007-002968

Jun. 27, 2007 (JP) 2007-017103

Jun. 27, 2007 (JP) 2007-017105

(51) **LOC (9) Cl.** **21-01**

(52) **U.S. Cl.** **D21/332; D21/333**

(58) **Field of Classification Search** D21/324, D21/328, 332, 333; 273/148 B; 463/40-47, 463/30-34, 1; 345/156; D14/130, 238

See application file for complete search history.

(56) **References Cited**

U.S. PATENT DOCUMENTS

D315,351 S * 3/1991 Velazquez D14/234

(Continued)

Primary Examiner—Prabhakar Deshmukh

(74) *Attorney, Agent, or Firm*—Nixon & Vanderhye, P.C.

(57) **CLAIM**

The ornamental design for a communication cartridge for electronic game machine, as shown and described.

DESCRIPTION

FIG. 1 is a top, right and rear perspective view of a communication cartridge for electronic game machine in its extended state, showing our new design of a first embodiment;

FIG. 2 is a bottom, left and front perspective view thereof;

FIG. 3 is a front view thereof;

FIG. 4 is a rear view thereof;

FIG. 5 is a top plan view thereof;

FIG. 6 is a bottom plan view thereof;

FIG. 7 is a right side view thereof;

FIG. 8 is a left side view thereof;

FIG. 9 is a top, right and rear perspective view of a communication cartridge for electronic game machine in its folded state, showing our new design of the first embodiment;

FIG. 10 is a bottom, left and front perspective view thereof;

FIG. 11 is a front view thereof;

FIG. 12 is a rear view thereof;

FIG. 13 is a top plan view thereof;

FIG. 14 is a bottom plan view thereof;

FIG. 15 is a right side view thereof;

FIG. 16 is a left side view thereof;

FIG. 17 is a reference perspective view showing a using state that the communication cartridge is attached to an electronic game machine;

FIG. 18 is a top, right and rear perspective view of a communication cartridge for electronic game machine in its extended state, showing our new design of a second embodiment;

FIG. 19 is a bottom, left and front perspective view thereof;

FIG. 20 is a front view thereof;

FIG. 21 is a rear view thereof;

FIG. 22 is a top plan view thereof;

FIG. 23 is a bottom plan view thereof;

FIG. 24 is a right side view thereof;

FIG. 25 is a left side view thereof;

FIG. 26 is a top, right and rear perspective view of a communication cartridge for electronic game machine in its folded state, showing our new design of the second embodiment;

FIG. 27 is a bottom, left and front perspective view thereof;

FIG. 28 is a front view thereof;

FIG. 29 is a rear view thereof;

FIG. 30 is a top plan view thereof;

FIG. 31 is a bottom plan view thereof;

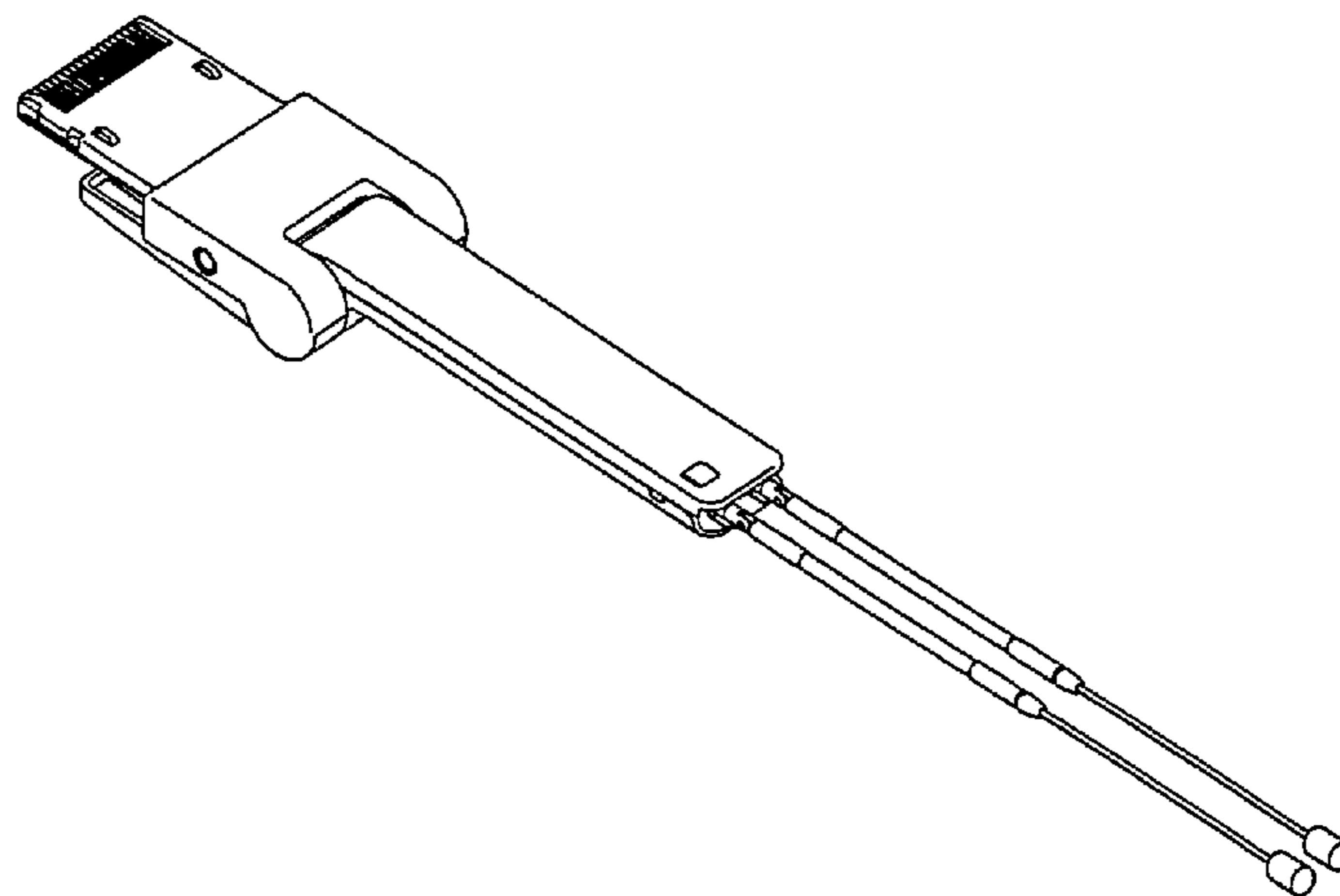
FIG. 32 is a right side view thereof;

FIG. 33 is a left side view thereof; and,

FIG. 34 is a reference perspective view showing a using state that the communication cartridge is attached to an electronic game machine.

The broken lines showing of a game machine is for illustrative purpose only and form no part of the claimed design.

1 Claim, 8 Drawing Sheets



US D608,397 S

Page 2

U.S. PATENT DOCUMENTS			
D324,244	S *	2/1992	Stamper et al. D21/333
D330,018	S *	10/1992	Miller D14/461
D349,526	S *	8/1994	Nakanishi D13/146
5,429,363	A *	7/1995	Hayashi 463/40
D372,274	S *	7/1996	Douglas et al. D21/333
5,809,520	A *	9/1998	Edwards et al. 711/115
6,238,291	B1 *	5/2001	Fujimoto et al. 463/44
6,264,558	B1 *	7/2001	Nishiumi et al. 463/36
6,929,543	B1 *	8/2005	Ueshima et al. 463/7
D583,364	S *	12/2008	Ito et al. D14/230
2008/0119269	A1 *	5/2008	Nonaka et al. 463/32

* cited by examiner

FIG. 1

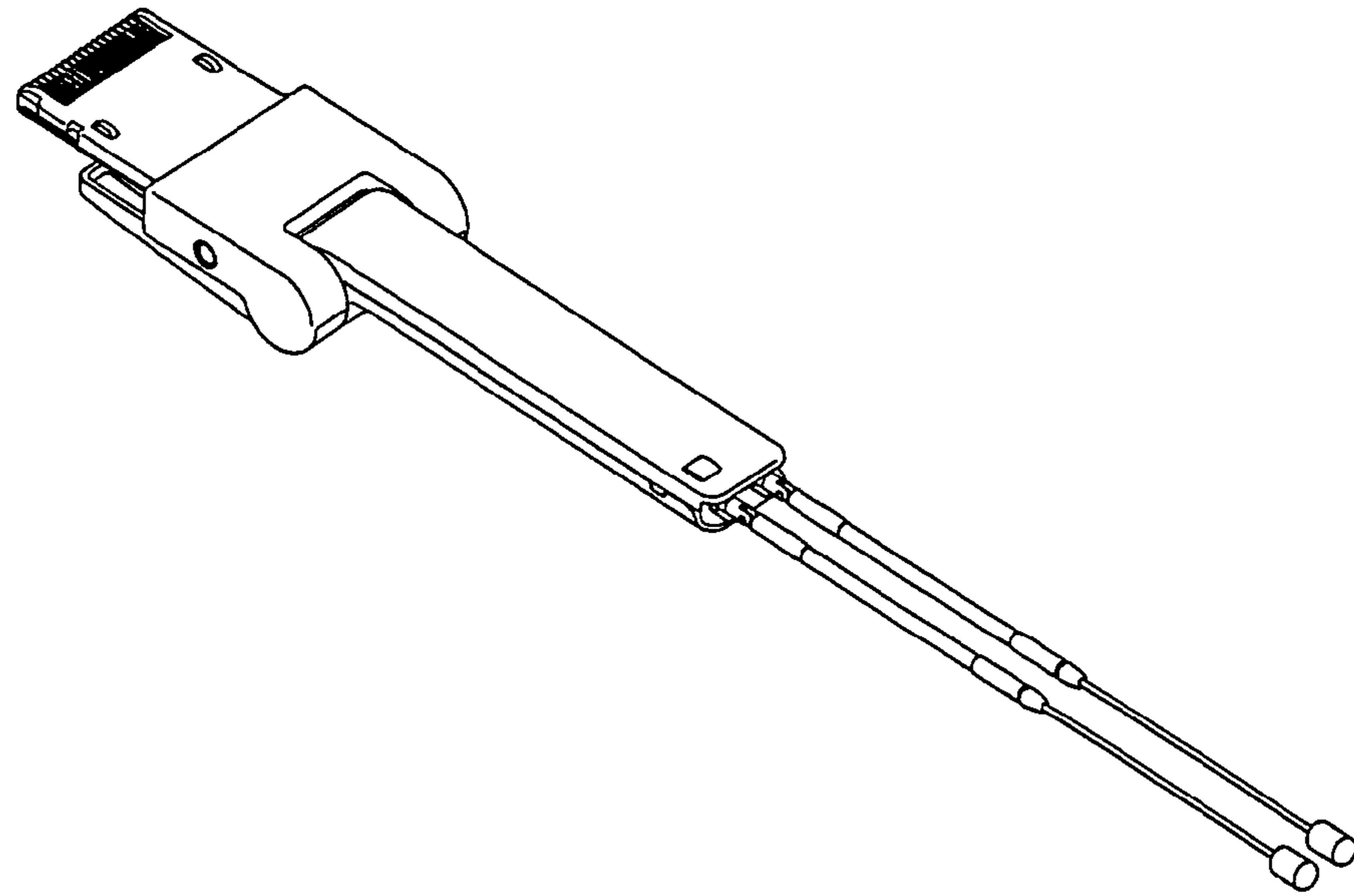


FIG. 2

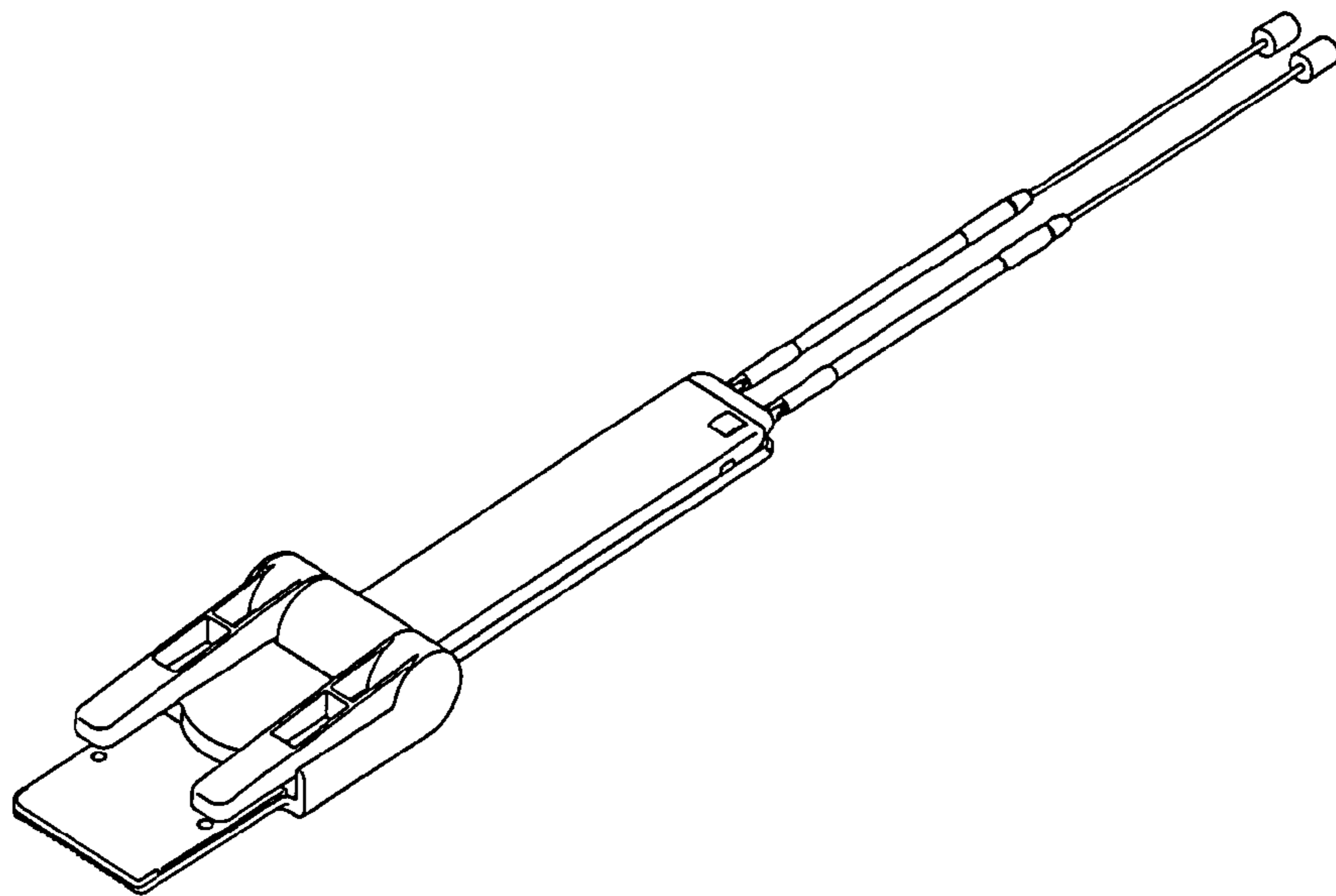


FIG. 3



FIG. 4

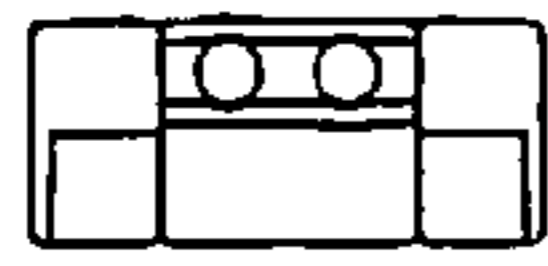


FIG. 5

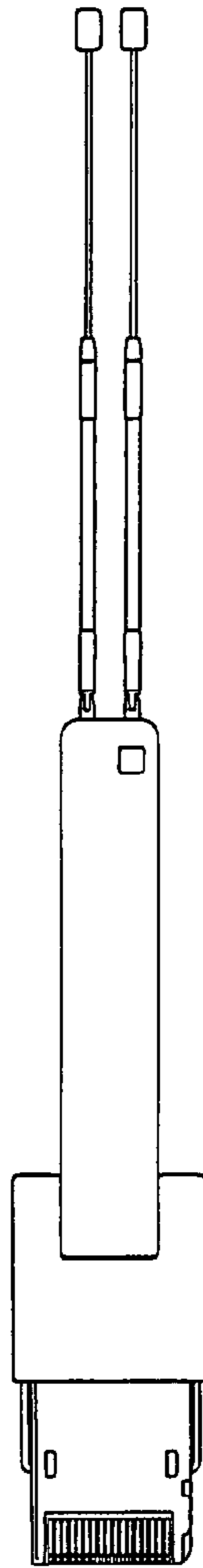


FIG. 6

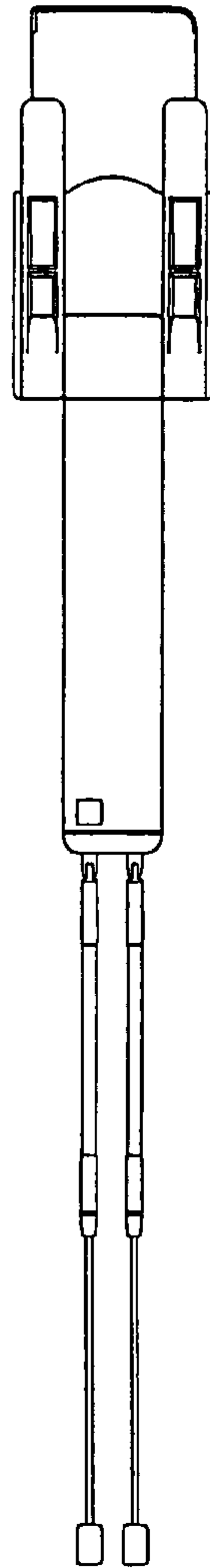


FIG. 7



FIG. 8

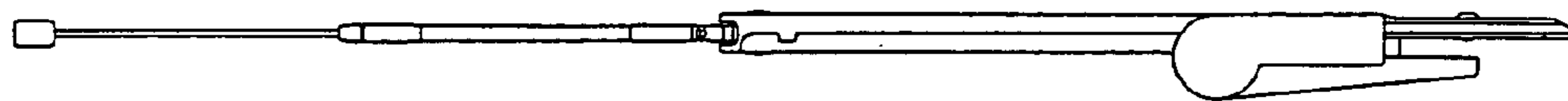


FIG. 9

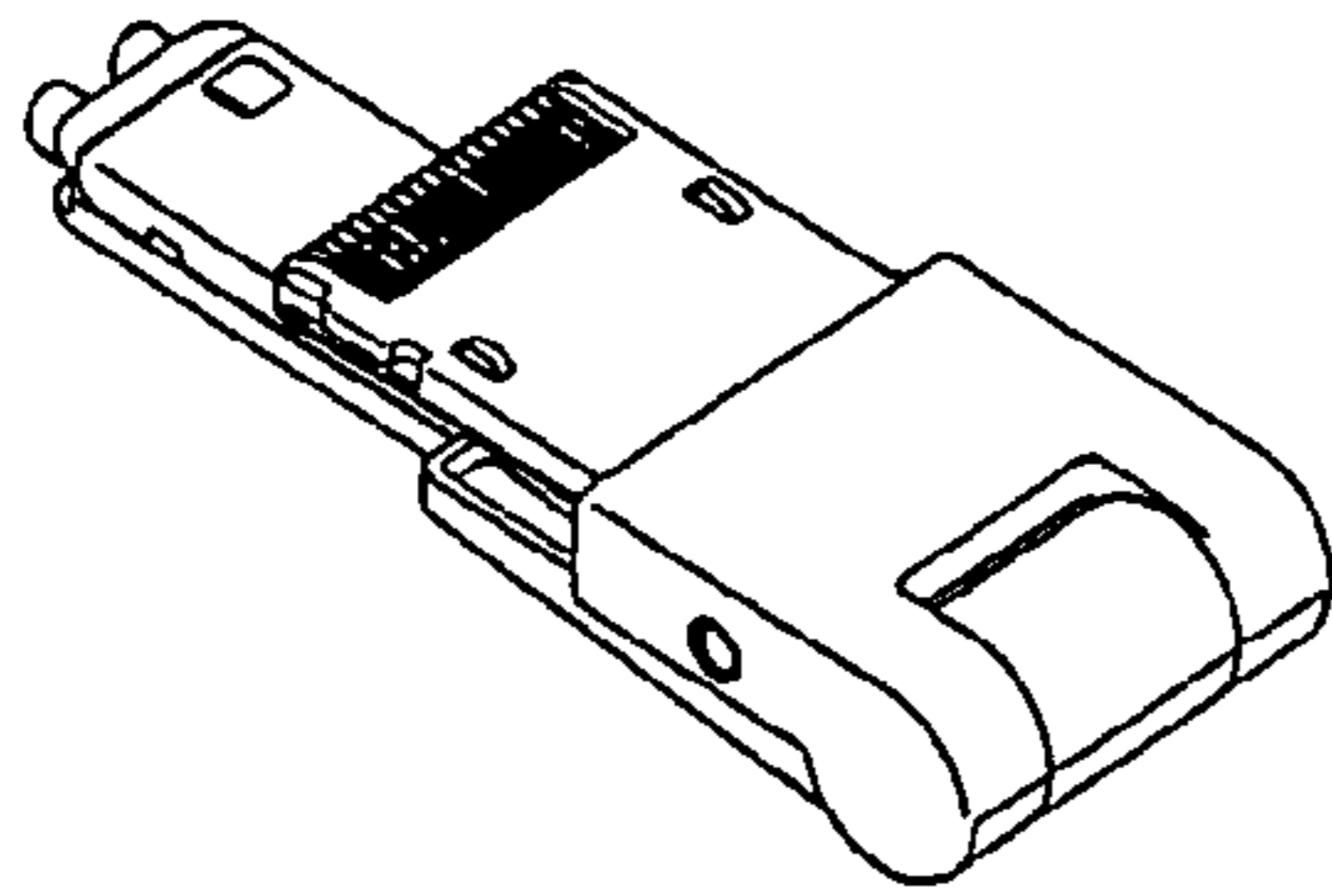


FIG. 10

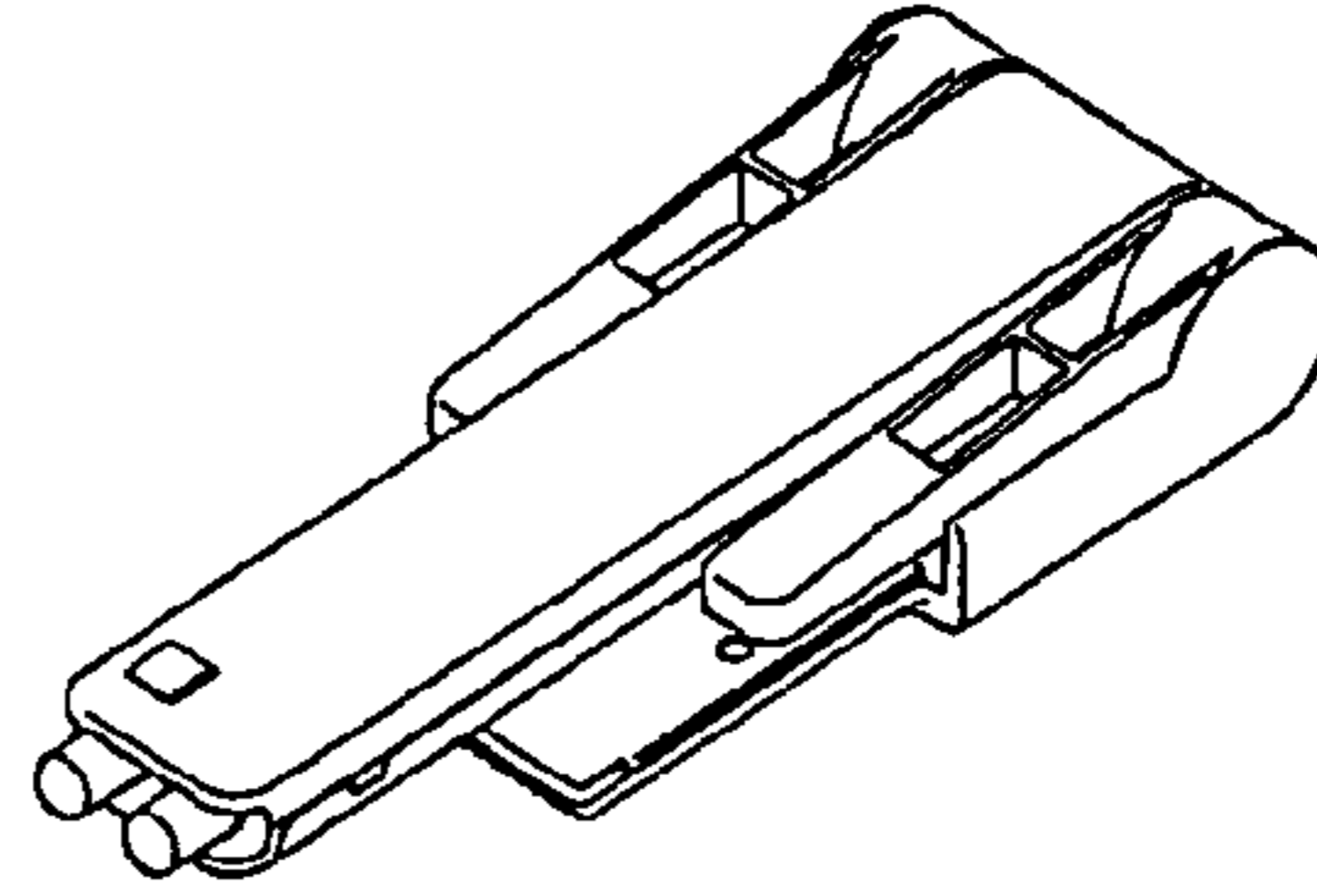


FIG. 11



FIG. 12

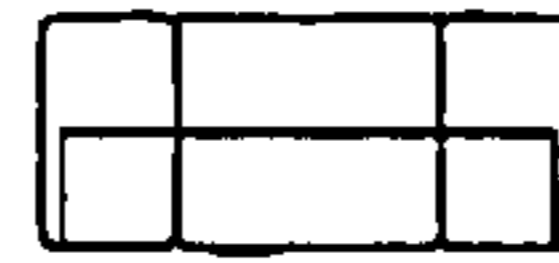


FIG. 13

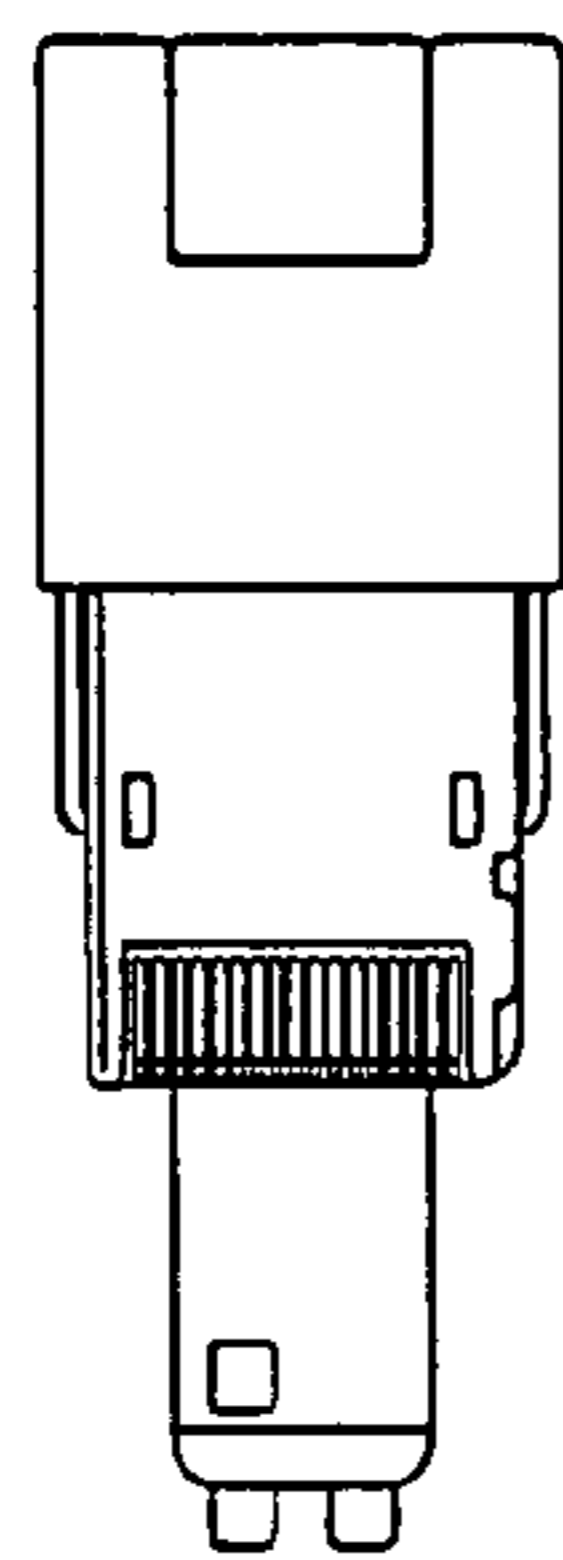


FIG. 14

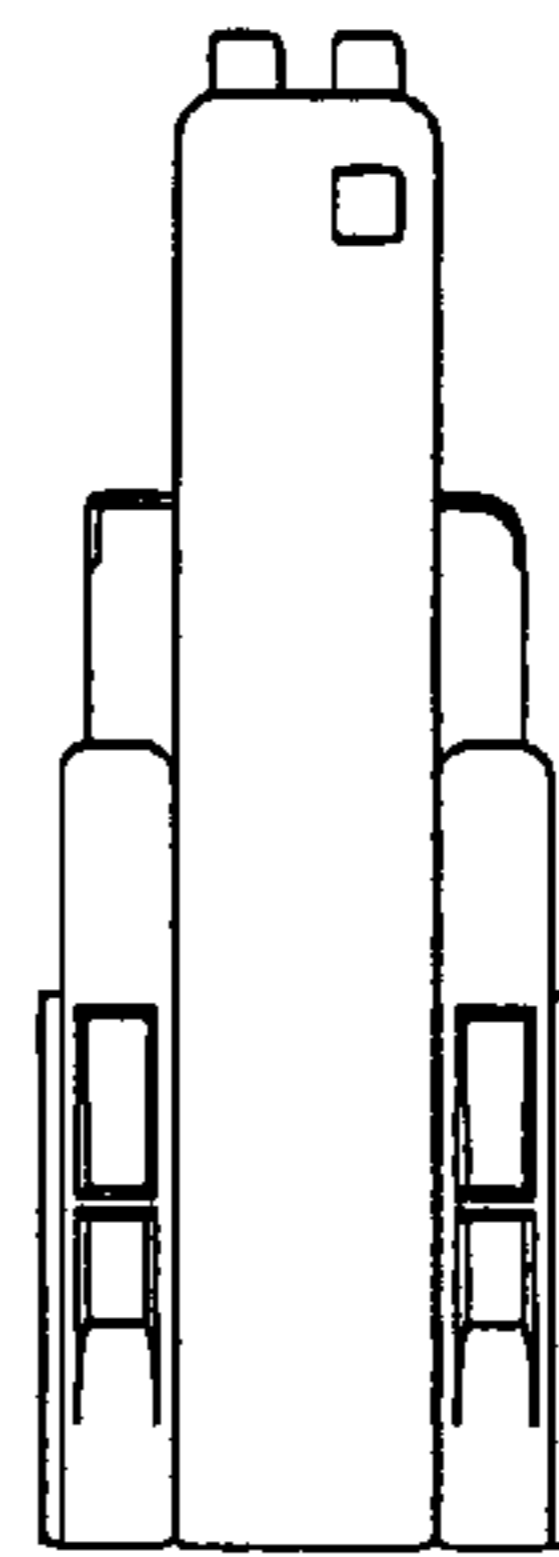


FIG. 15

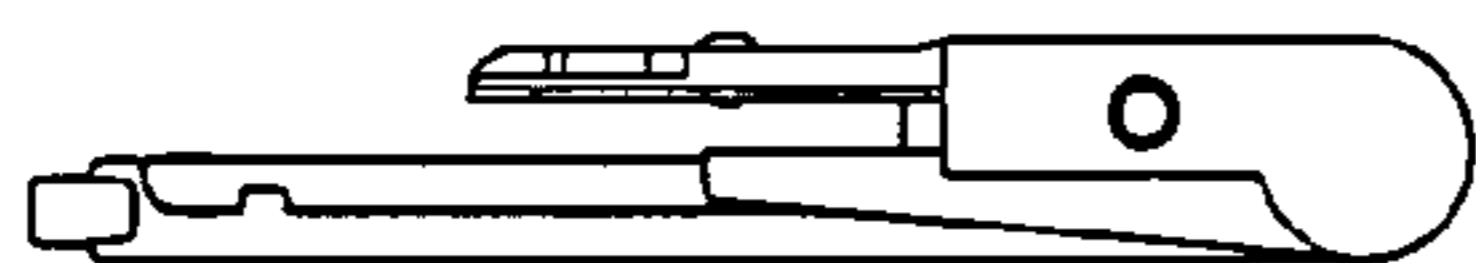


FIG. 16

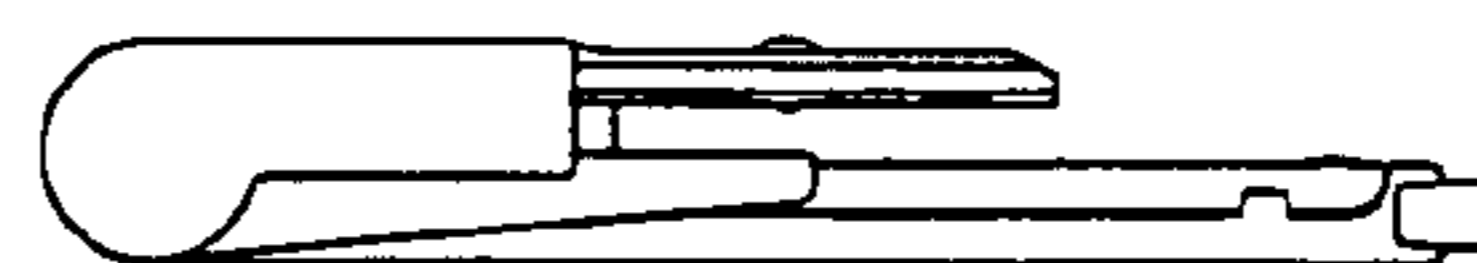


FIG. 17

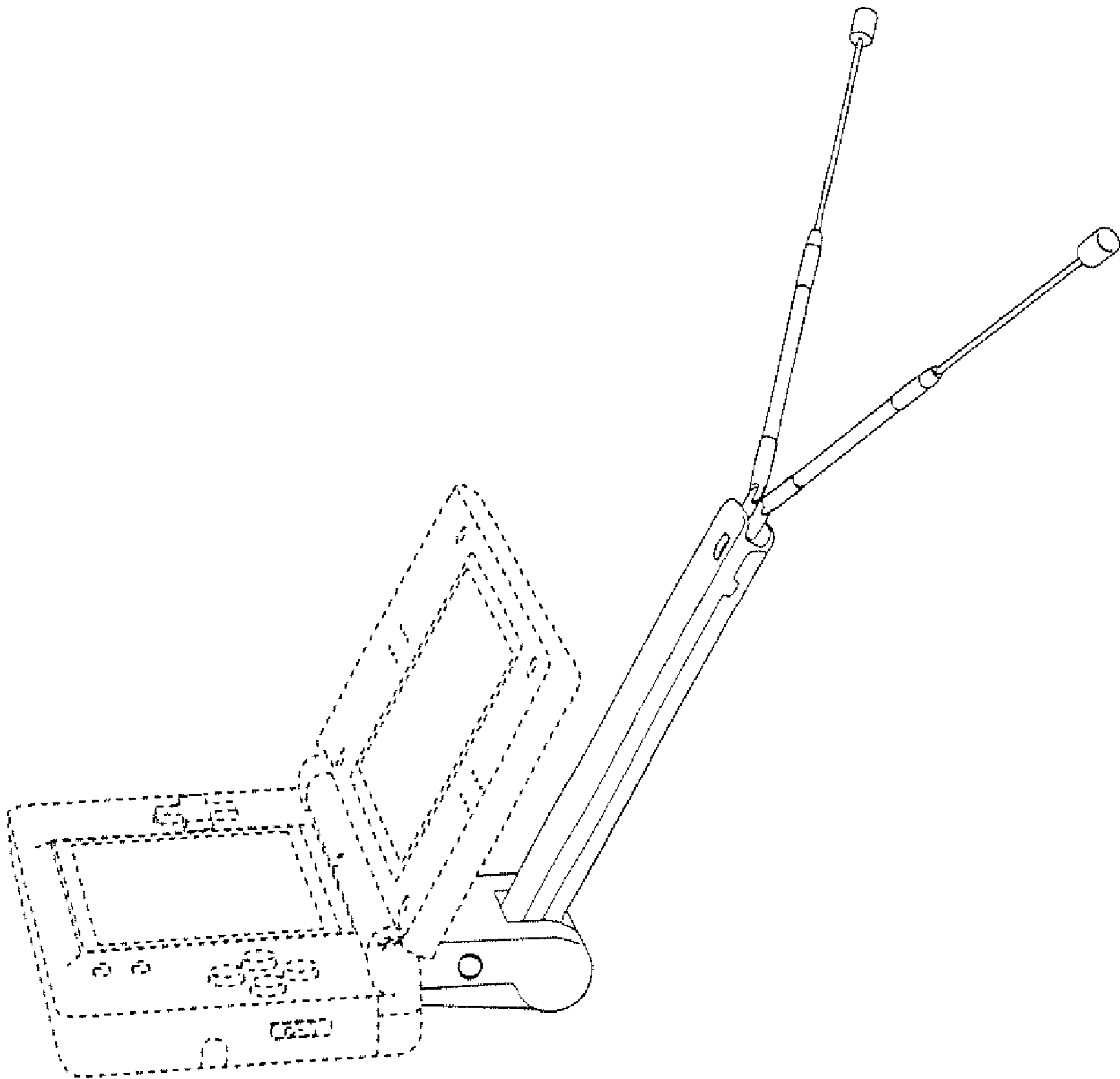


FIG. 18

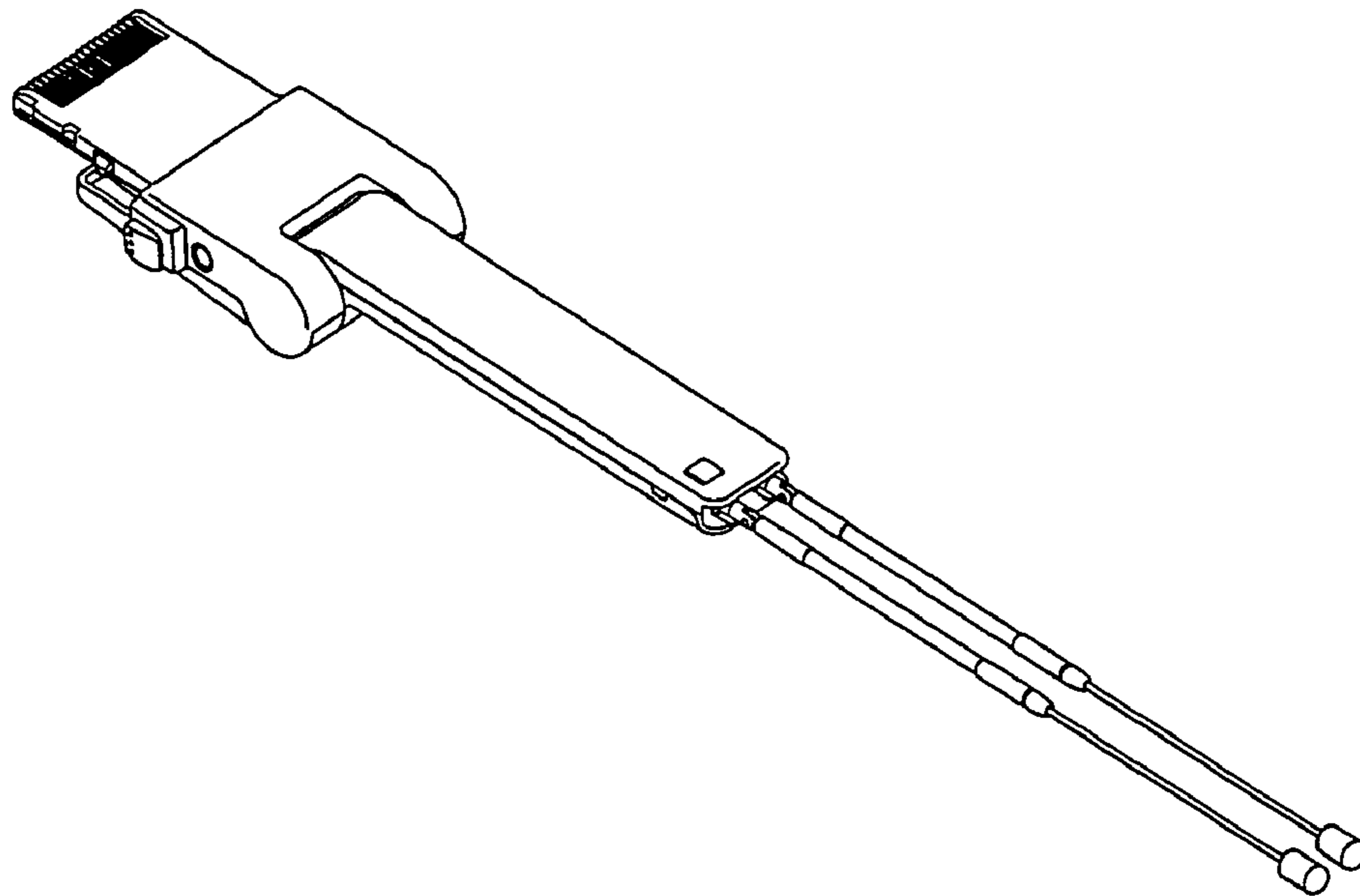


FIG. 19

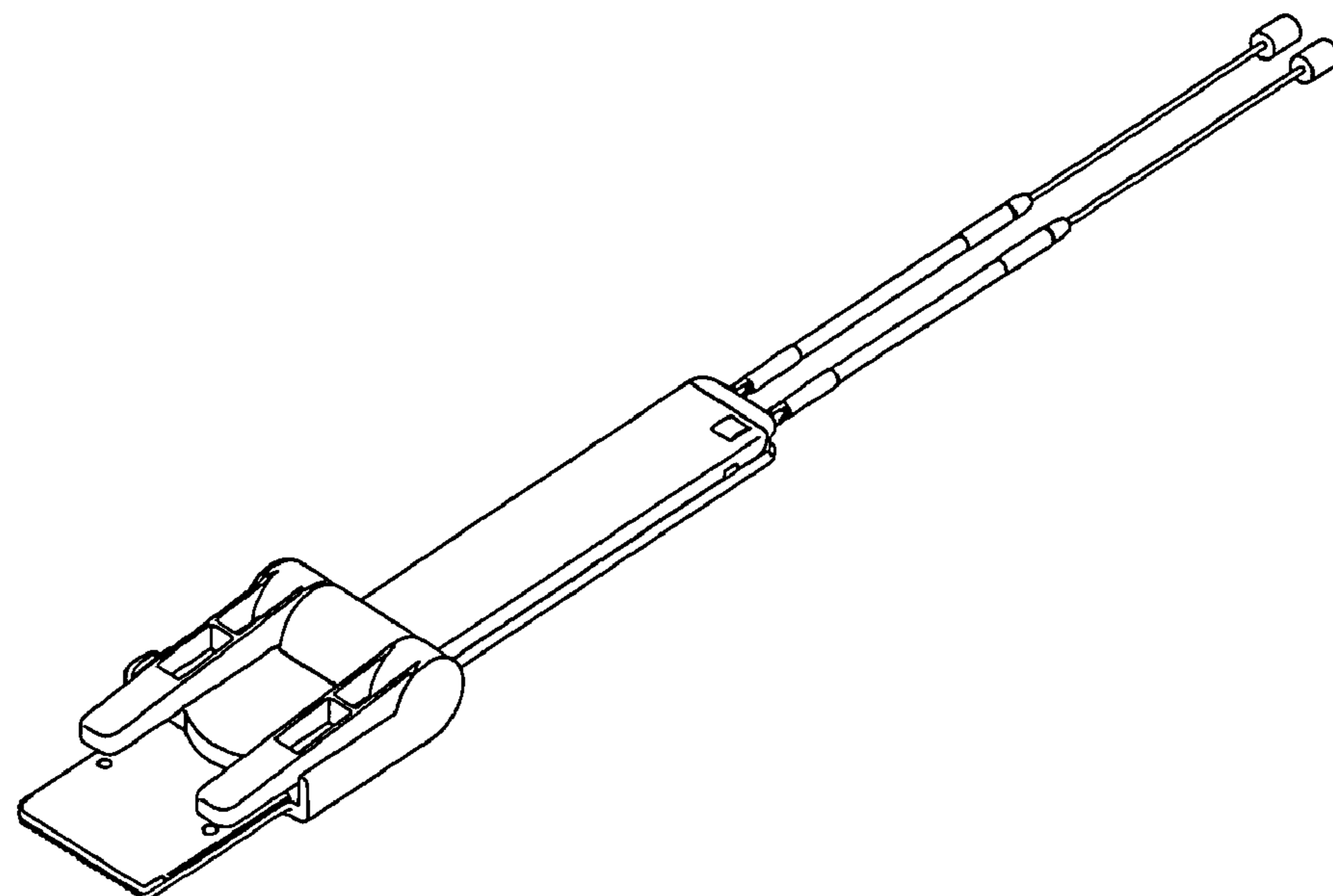


FIG. 20

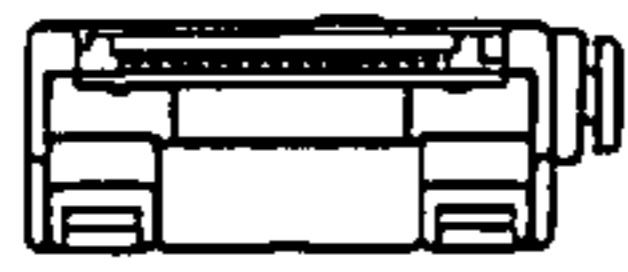


FIG. 21

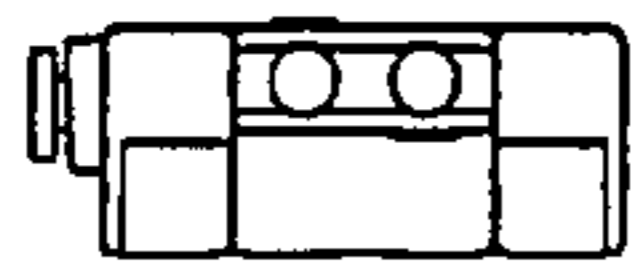


FIG. 22

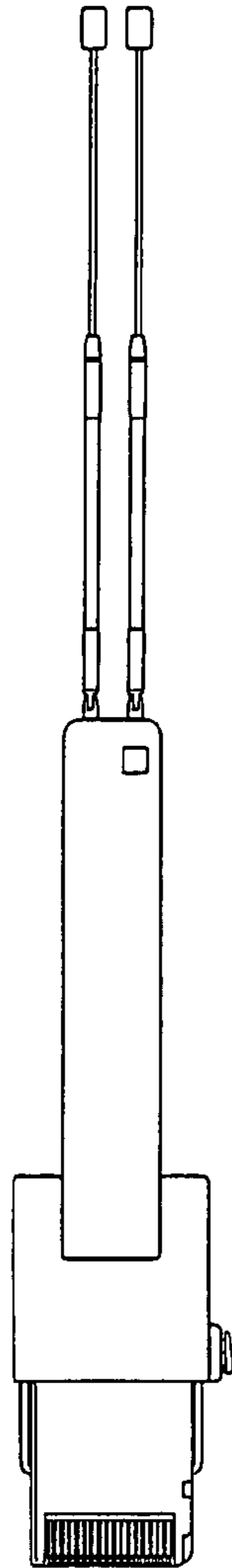


FIG. 23

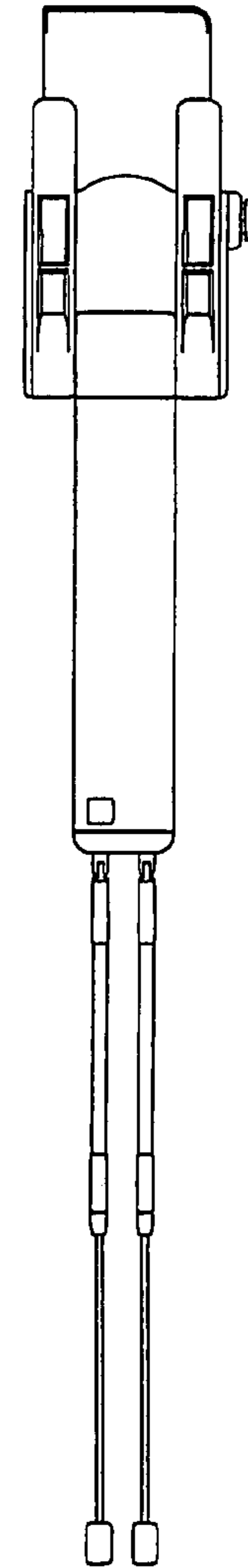


FIG. 24



FIG. 25

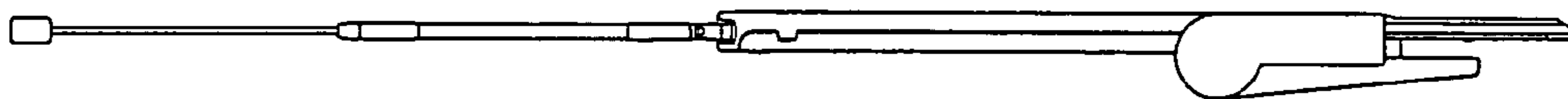


FIG. 26

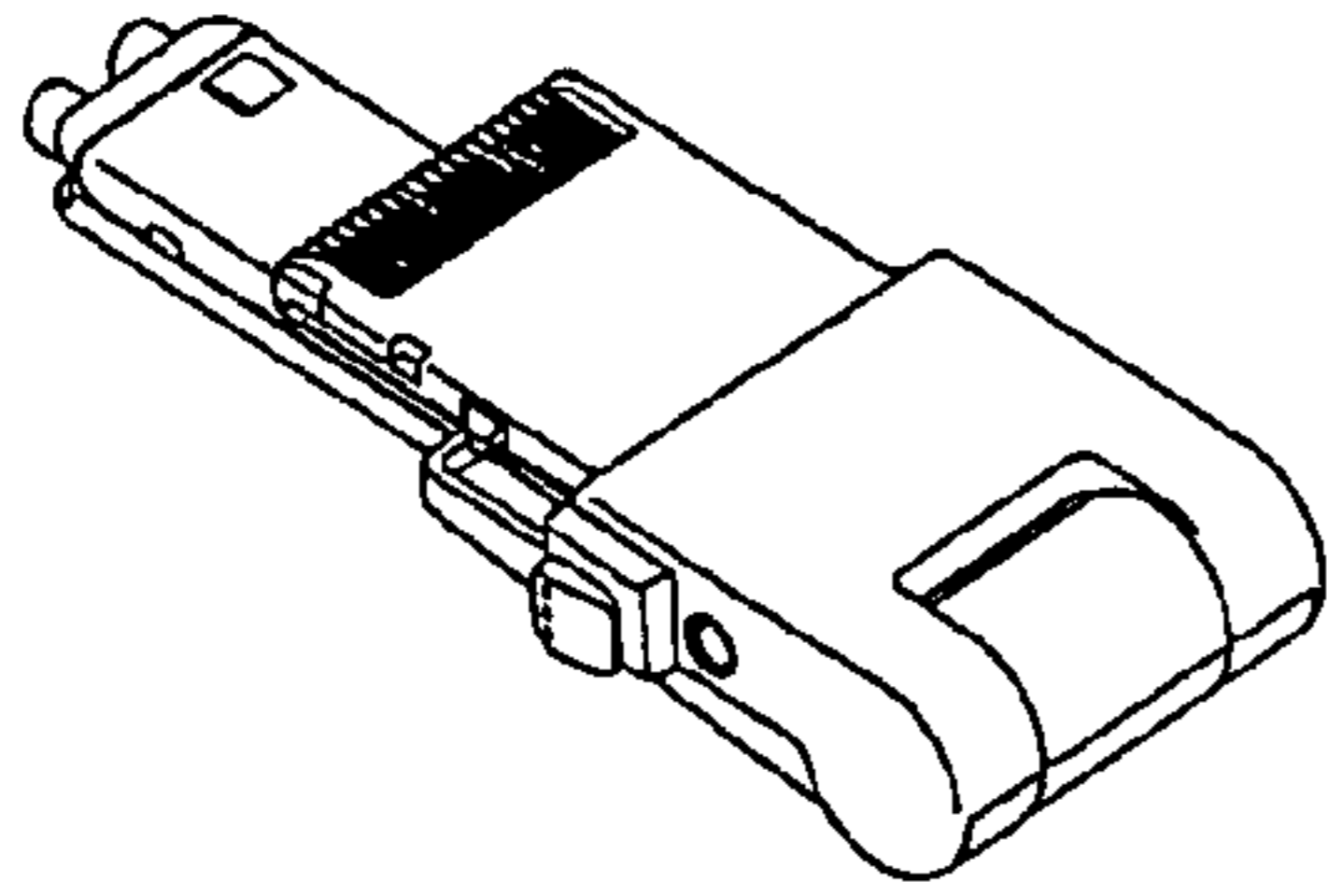


FIG. 27

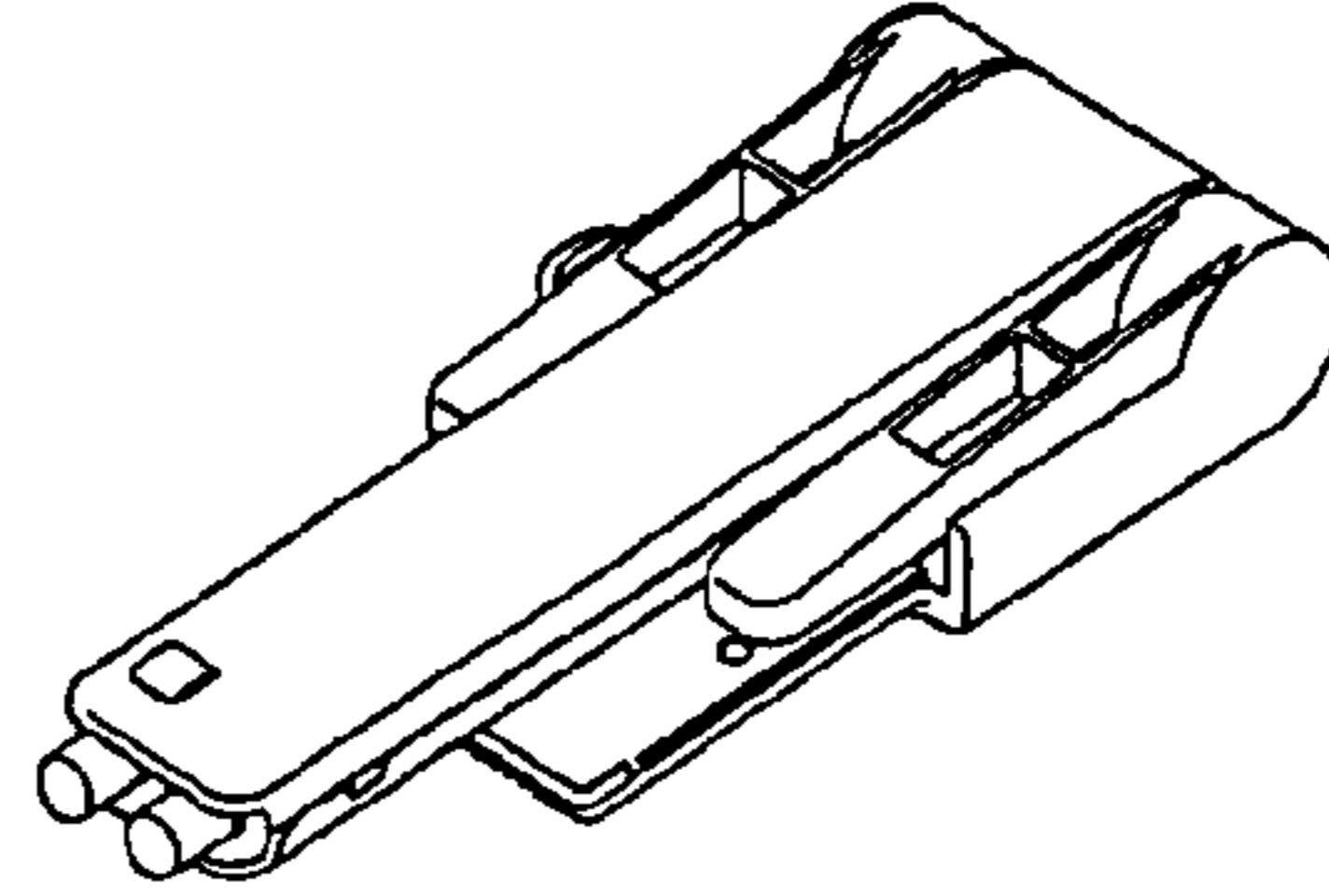


FIG. 28



FIG. 29

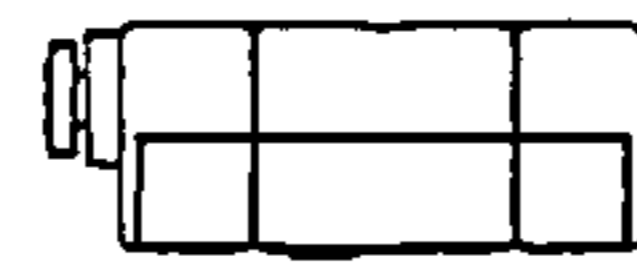


FIG. 30

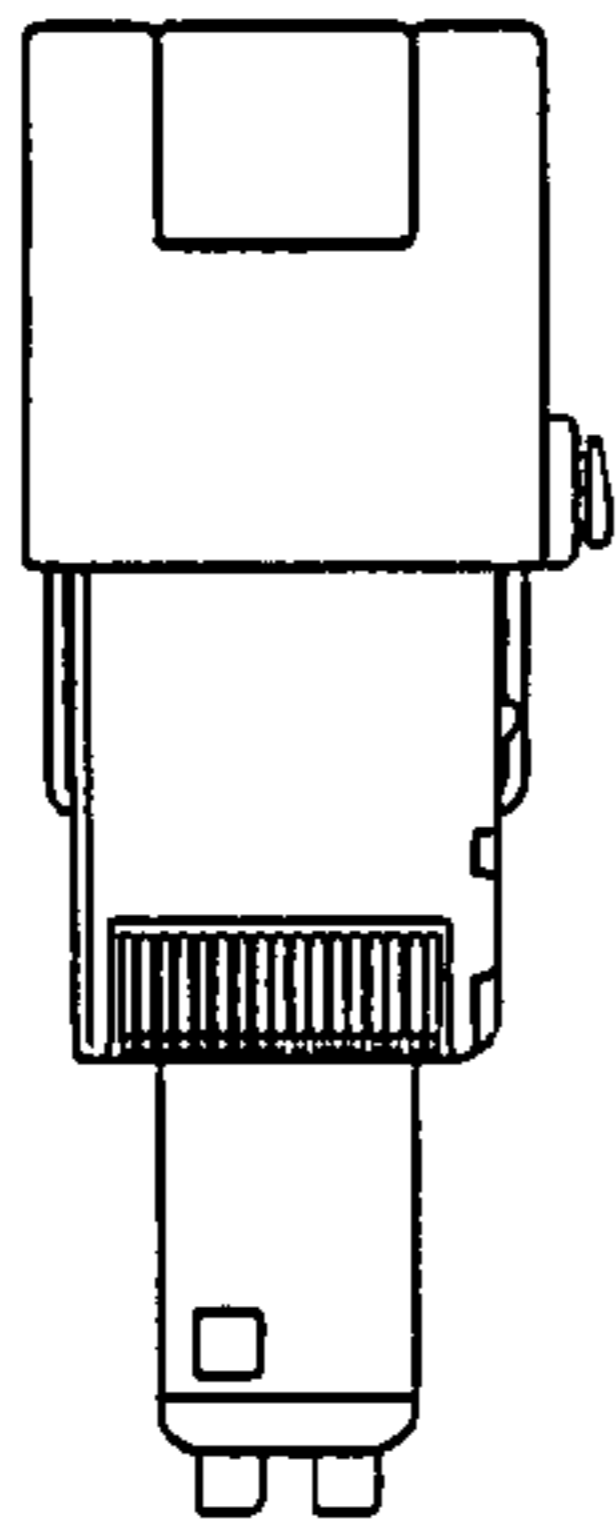


FIG. 31

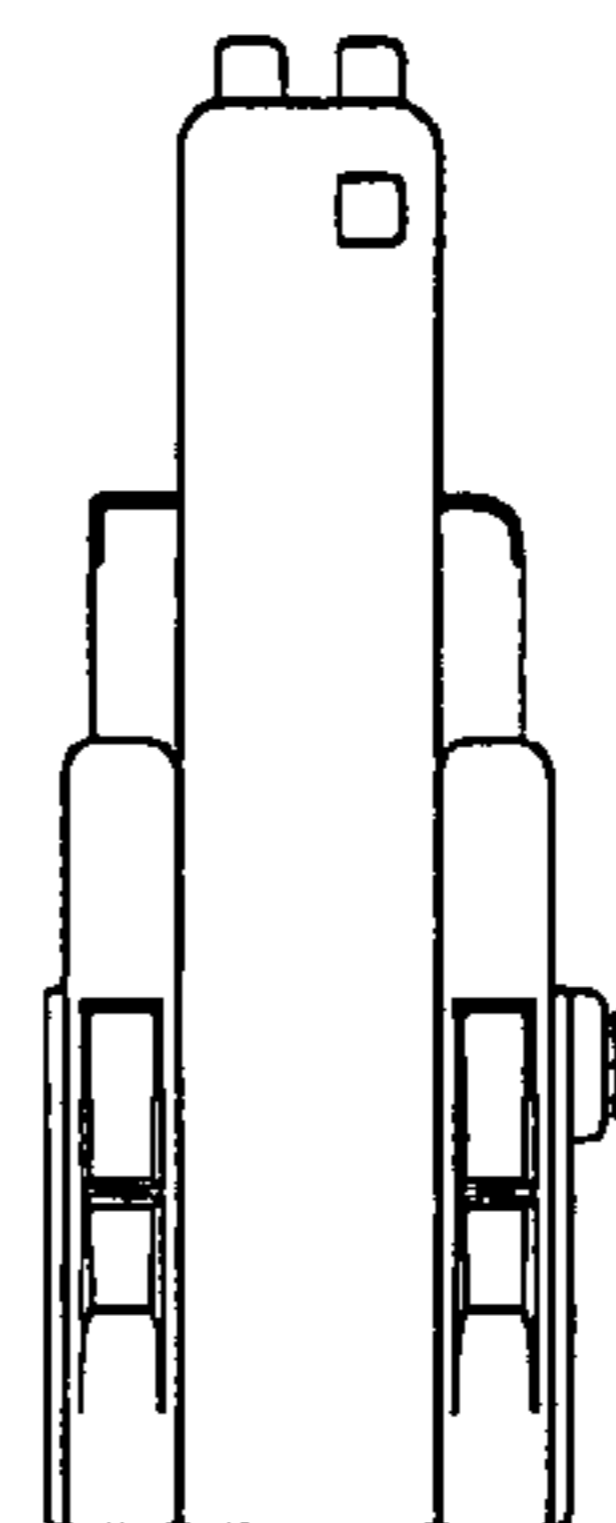


FIG. 32

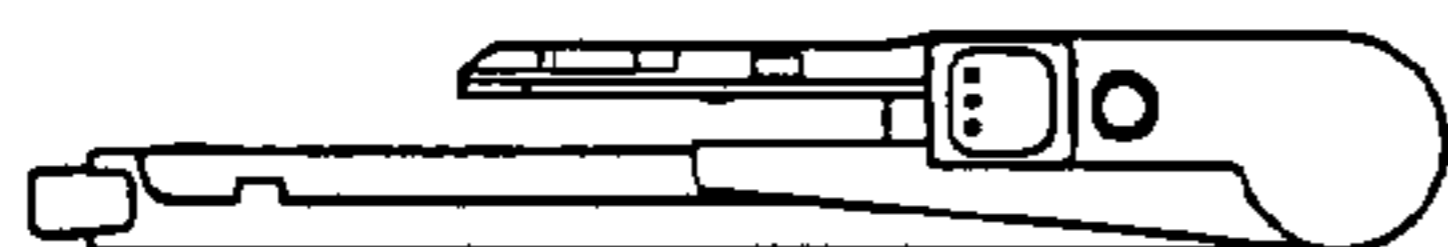


FIG. 33

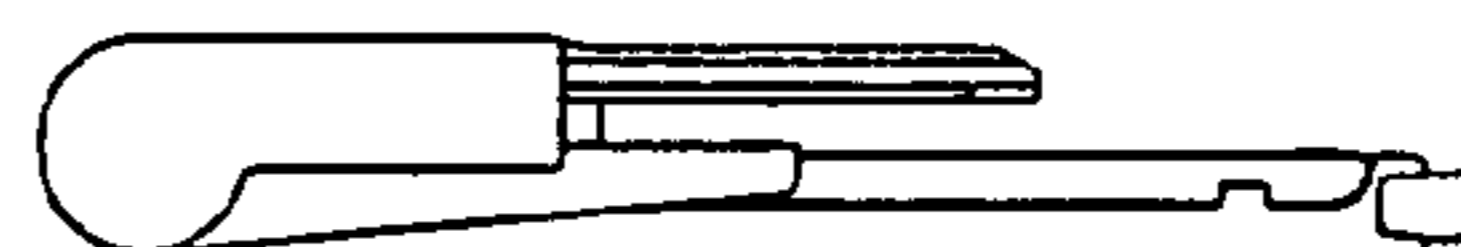


FIG. 34

