

US00D608396S

(12) **United States Design Patent**  
**Wang**

(10) **Patent No.:** **US D608,396 S**

(45) **Date of Patent:** **\*\* Jan. 19, 2010**

(54) **GAME MACHINE**

(76) Inventor: **Yong-Yuan Wang**, No. 80, Ln. 299,  
Gaomei Rd., Qingshui Town, Taichung  
County (TW) 436

(\*\*) Term: **14 Years**

(21) Appl. No.: **29/314,445**

(22) Filed: **Apr. 1, 2009**

(51) **LOC (9) Cl.** ..... **21-01**

(52) **U.S. Cl.** ..... **D21/325; D21/369**

(58) **Field of Classification Search** ..... D21/325,  
D21/329, 333, 369-371, 385; 273/148 B,  
273/138.1; 463/1, 16-21, 25, 42, 46, 47  
See application file for complete search history.

(56) **References Cited**

**U.S. PATENT DOCUMENTS**

4,850,691	A *	7/1989	Gardner et al.	.....	351/221
5,851,147	A *	12/1998	Stupak et al.	.....	463/13
D421,774	S *	3/2000	Toriyama	.....	D21/325
D435,068	S *	12/2000	Muraki et al.	.....	D21/325
6,461,239	B1 *	10/2002	Sagawa et al.	.....	463/7
D472,936	S *	4/2003	Ohtomi et al.	.....	D21/325
D508,719	S *	8/2005	de Haas	.....	D21/369

D546,893	S *	7/2007	Yamashita	.....	D21/325
D559,917	S *	1/2008	Cole	.....	D21/369
D590,449	S *	4/2009	Ishii et al.	.....	D21/325

\* cited by examiner

*Primary Examiner*—Prabhakar Deshmukh

(74) *Attorney, Agent, or Firm*—Charles E. Baxley

(57) **CLAIM**

The ornamental design for a game machine, as shown and described.

**DESCRIPTION**

FIG. 1 is a perspective view of a game machine showing my new design;

FIG. 2 is a front elevational view thereof;

FIG. 3 is a rear elevational view thereof;

FIG. 4 is a left side view thereof;

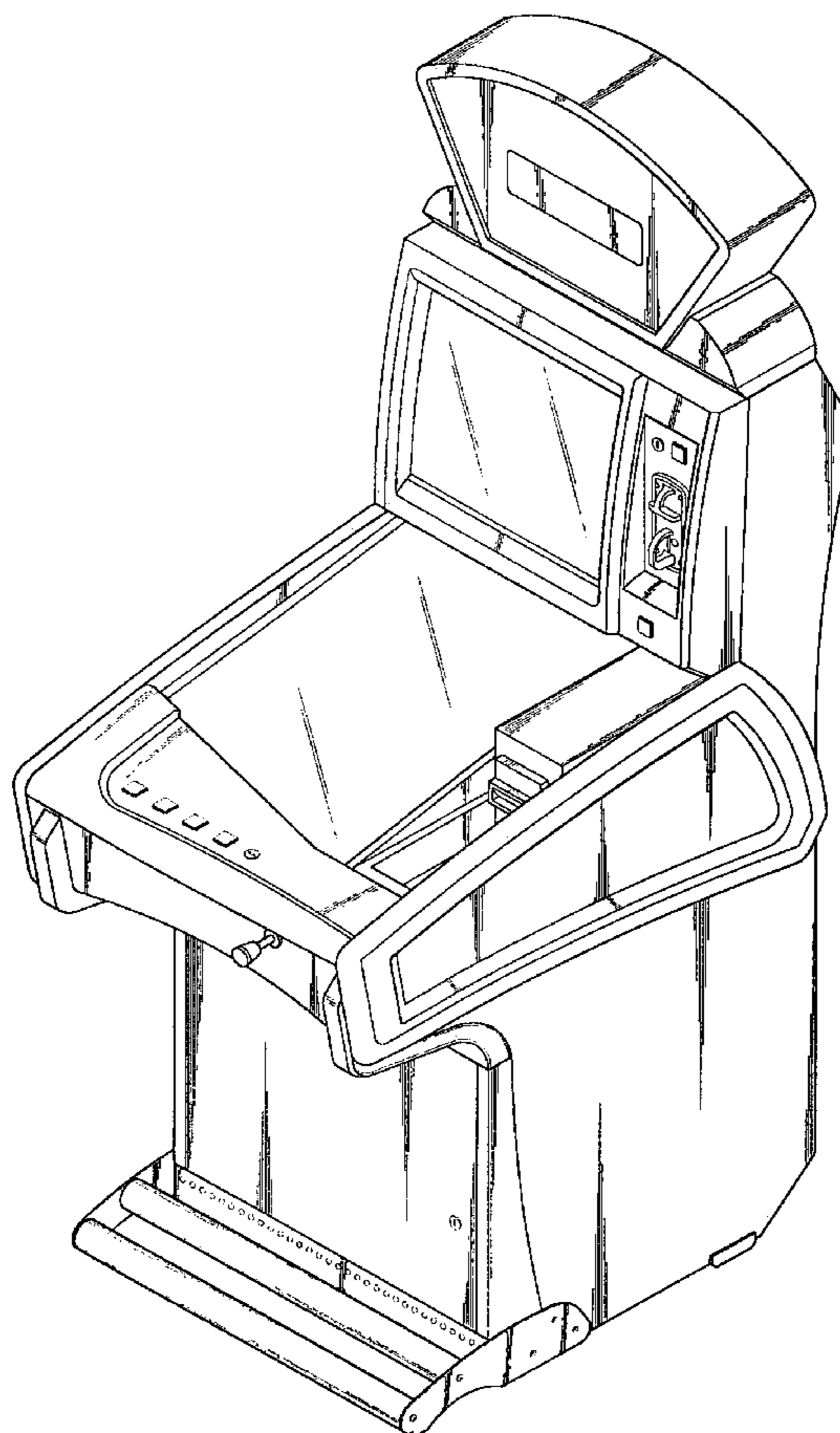
FIG. 5 is a right side view thereof;

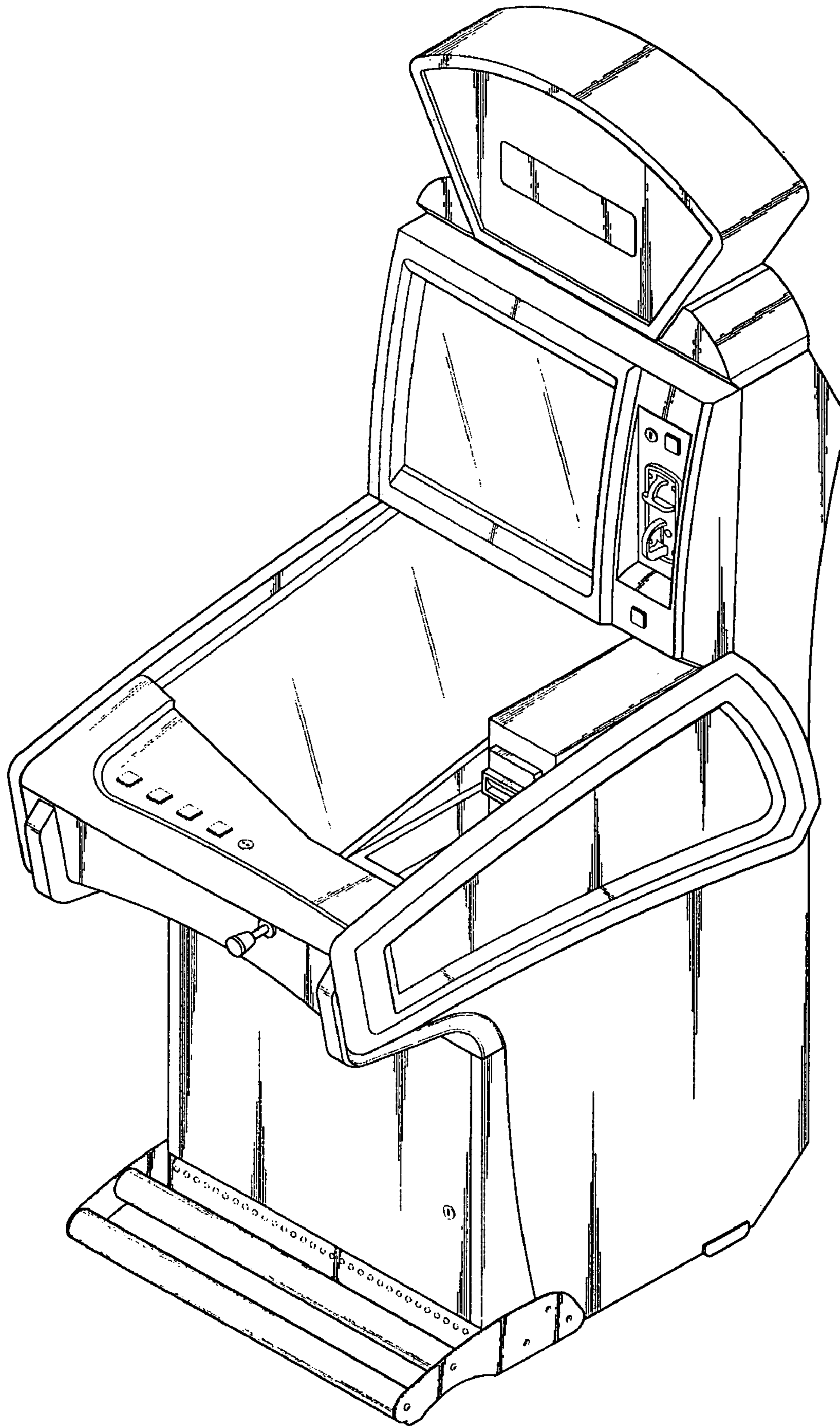
FIG. 6 is a top plan view thereof; and,

FIG. 7 is a bottom plan view thereof.

The broken lines are for illustration purpose only and form no part of the claimed design.

**1 Claim, 7 Drawing Sheets**





F I G . 1

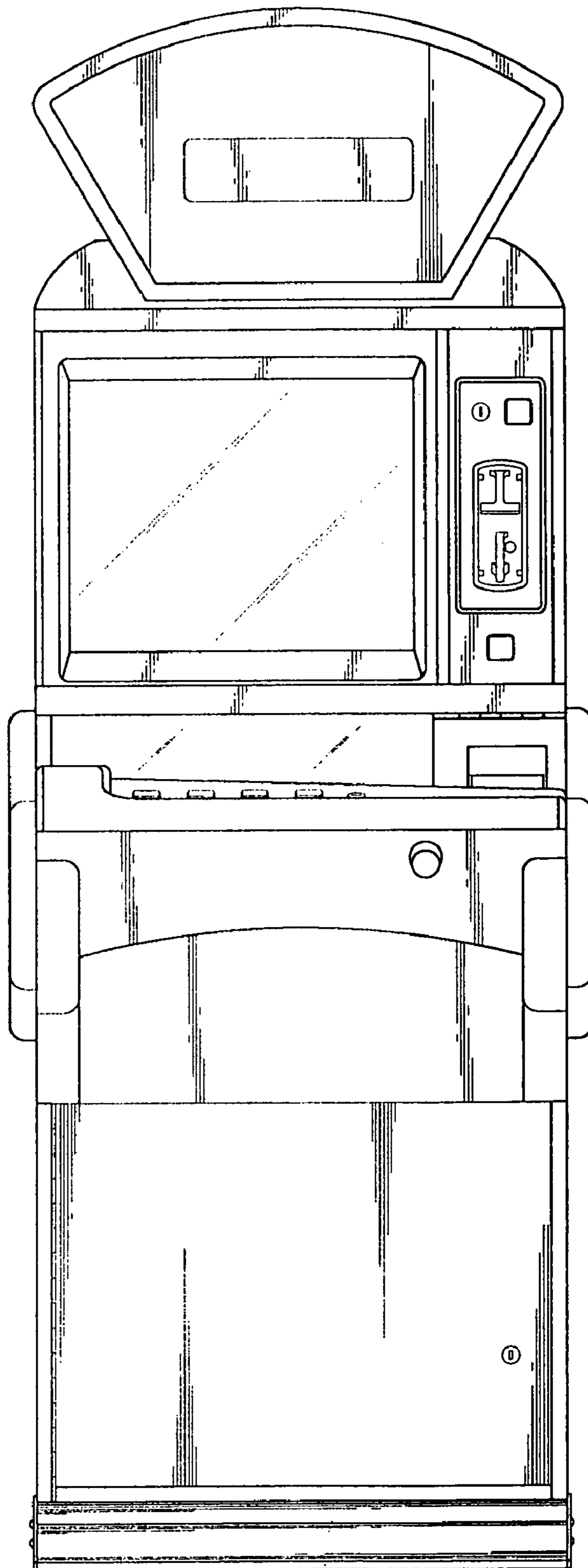
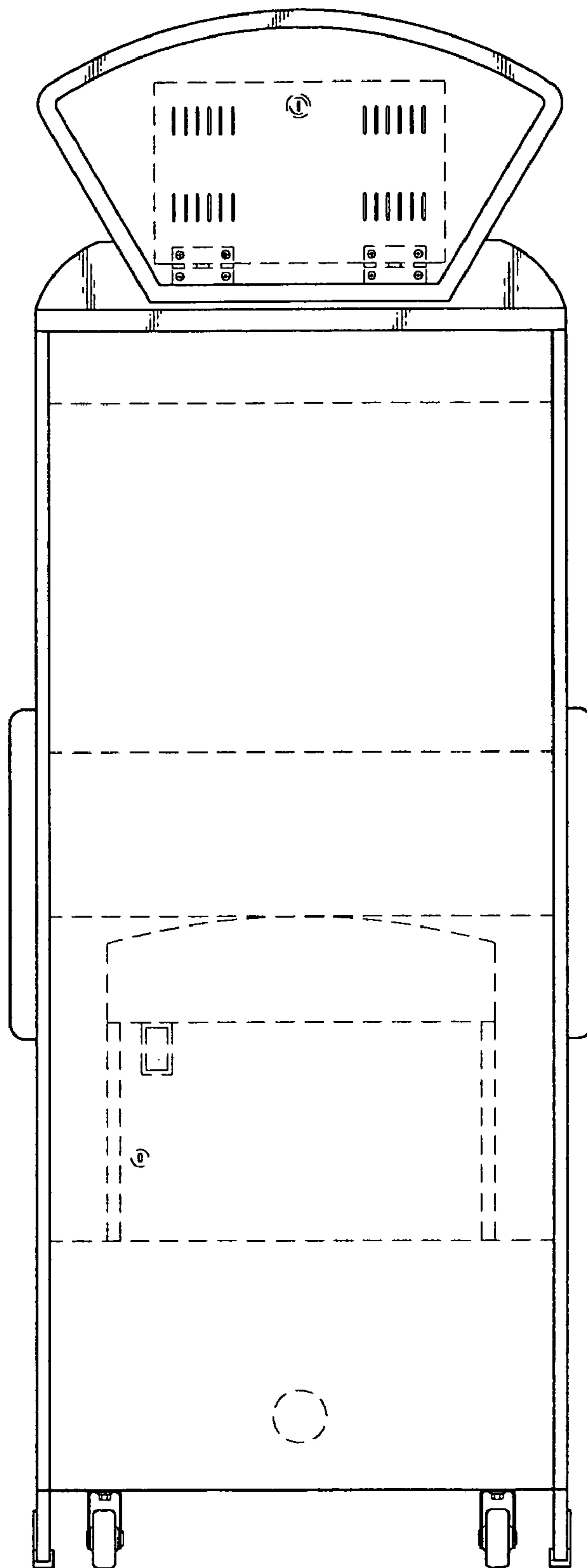


FIG. 2



F I G . 3

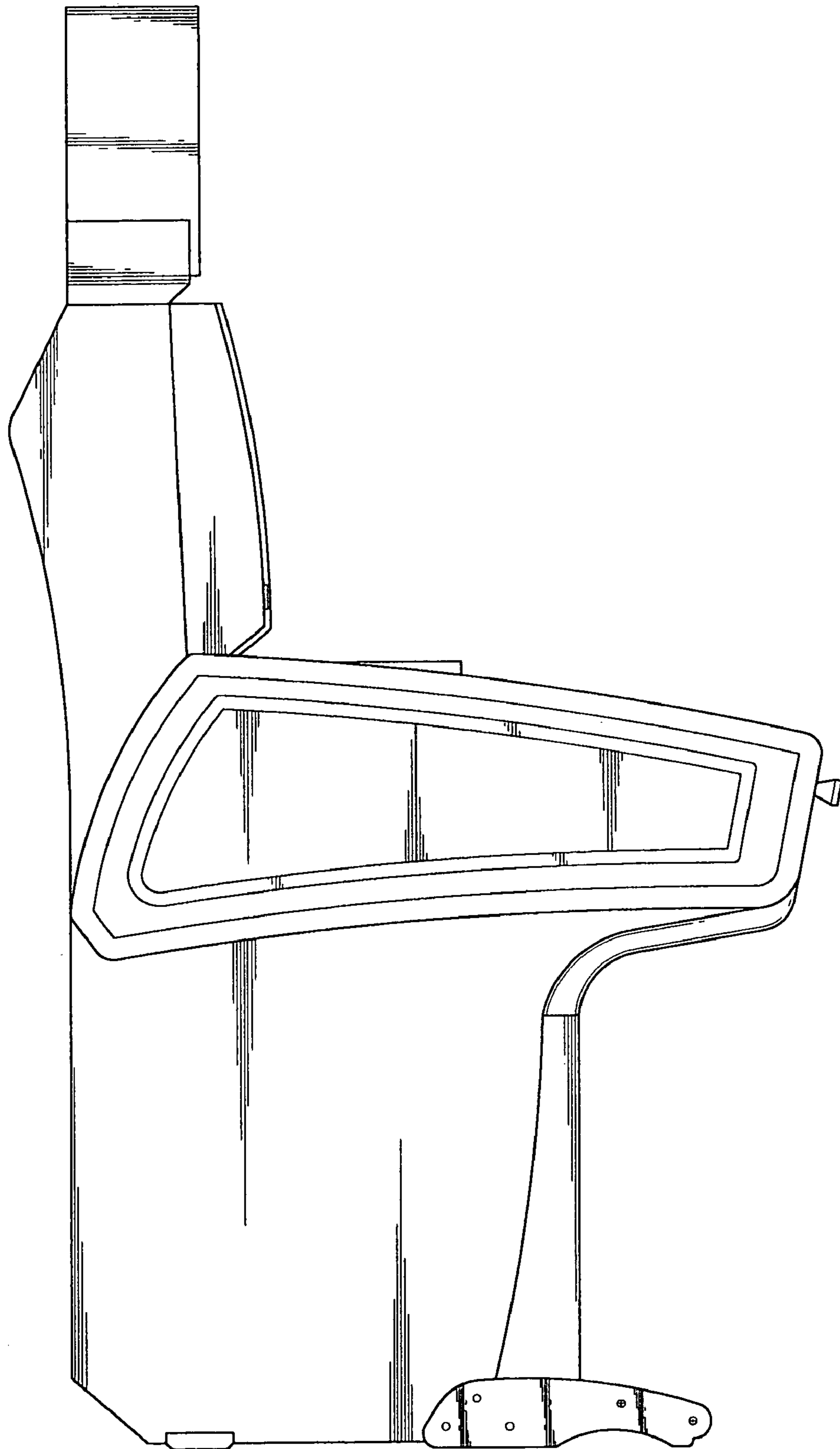


FIG. 4

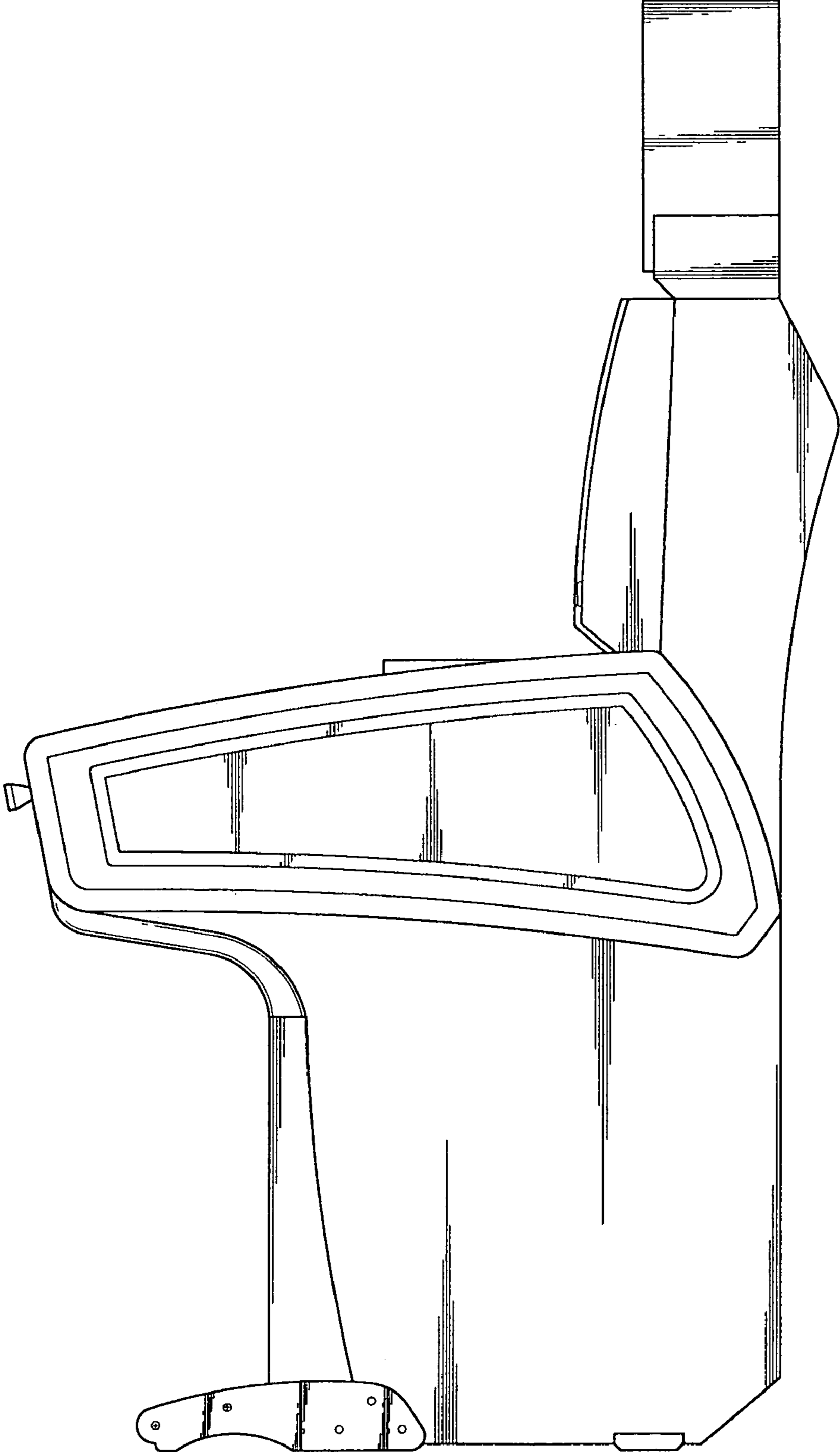


FIG. 5



FIG. 6

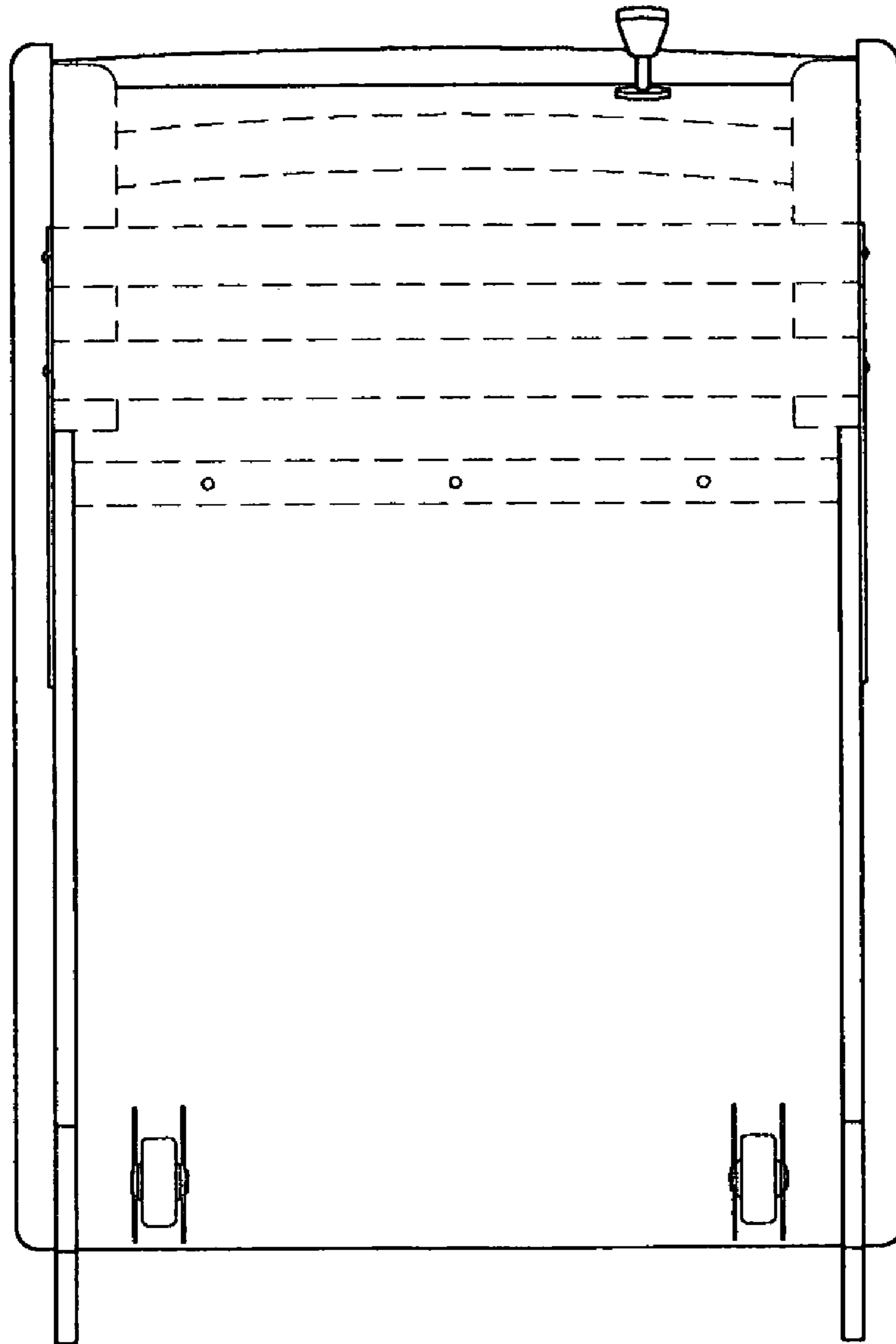


FIG. 7