



US00D608394S

(12) **United States Design Patent**  
**Leanza**

(10) **Patent No.:** **US D608,394 S**

(45) **Date of Patent:** **\*\* Jan. 19, 2010**

(54) **HOLDER**

(76) Inventor: **Anthony S. Leanza**, 27396 Sprague Rd.,  
Olmsted Township, OH (US) 44138

(\*\*) Term: **14 Years**

(21) Appl. No.: **29/324,149**

(22) Filed: **Sep. 8, 2008**

(51) **LOC (9) Cl.** ..... **19-06**

(52) **U.S. Cl.** ..... **D19/81**

(58) **Field of Classification Search** ..... D3/201,  
D3/206; D6/467; D19/54, 75, 77-85; 24/11 P,  
24/11 F, 11 R, 11 CT, 3.7, DIG. 11; 206/214,  
206/349, 460, 461, 813; 211/69.1-69.9;  
381/30; 401/7, 8, 91, 131; 434/166  
See application file for complete search history.

(56) **References Cited**

**U.S. PATENT DOCUMENTS**

246,460	A *	8/1881	Chase	.....	206/6
410,234	A *	9/1889	Brilhart	.....	206/5
2,185,086	A *	12/1939	Janke	.....	211/89.01
D130,448	S *	11/1941	Wallace	.....	D19/54
2,490,141	A *	12/1949	Lotterer	.....	281/30
2,491,307	A *	12/1949	Fulton	.....	312/352
2,867,363	A *	1/1959	Knemmerling	.....	206/349
3,074,677	A *	1/1963	Eckhardt	.....	248/74.1
3,284,091	A *	11/1966	Spier	.....	280/813

D359,073	S *	6/1995	Schaus	.....	D19/83
6,155,411	A *	12/2000	Ho	.....	206/77.1
D446,548	S *	8/2001	Green	.....	D19/84
D485,980	S *	2/2004	Moses	.....	D3/206
2002/0036253	A1 *	3/2002	Lake	.....	248/205.3

\* cited by examiner

*Primary Examiner*—Elizabeth A Albert

(74) *Attorney, Agent, or Firm*—Tarolli, Sundheim, Covell &  
Tummino LLP

(57) **CLAIM**

The ornamental design for a holder, as shown and described.

**DESCRIPTION**

FIG. 1 is a perspective view of a holder showing my new design attached to the back of a light bar of a clipboard environment;

FIG. 2 is a top plan view showing my holder design, the bottom plan view being a mirror image;

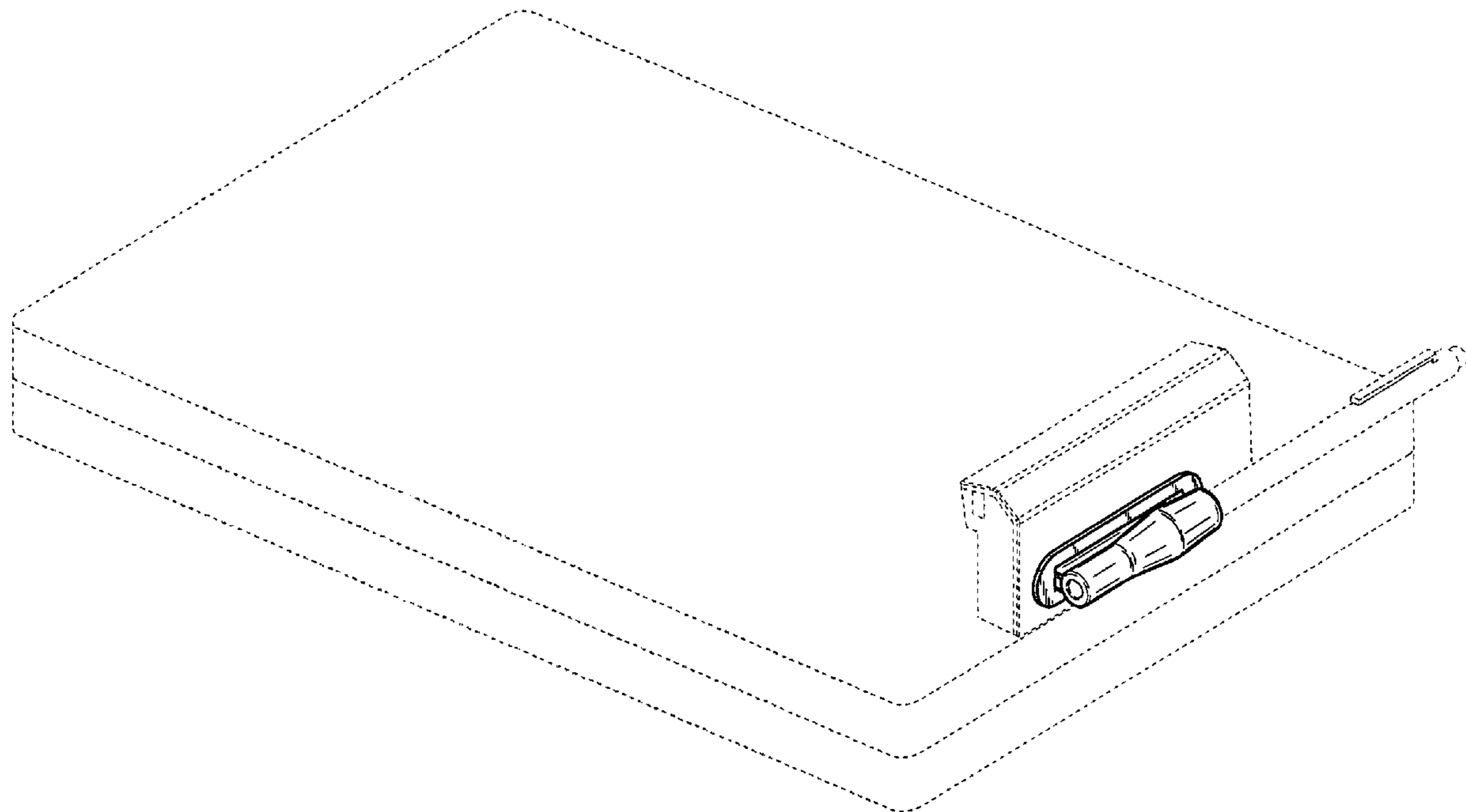
FIG. 3 is a front elevation view thereof;

FIG. 4 is a side elevation view of one side thereof; and,

FIG. 5 is a side elevation view of another side thereof.

The broken lines showing a clipboard, pen, and the inside of the holder are included for the purpose of illustrating environment and form no part of the claimed design.

**1 Claim, 2 Drawing Sheets**



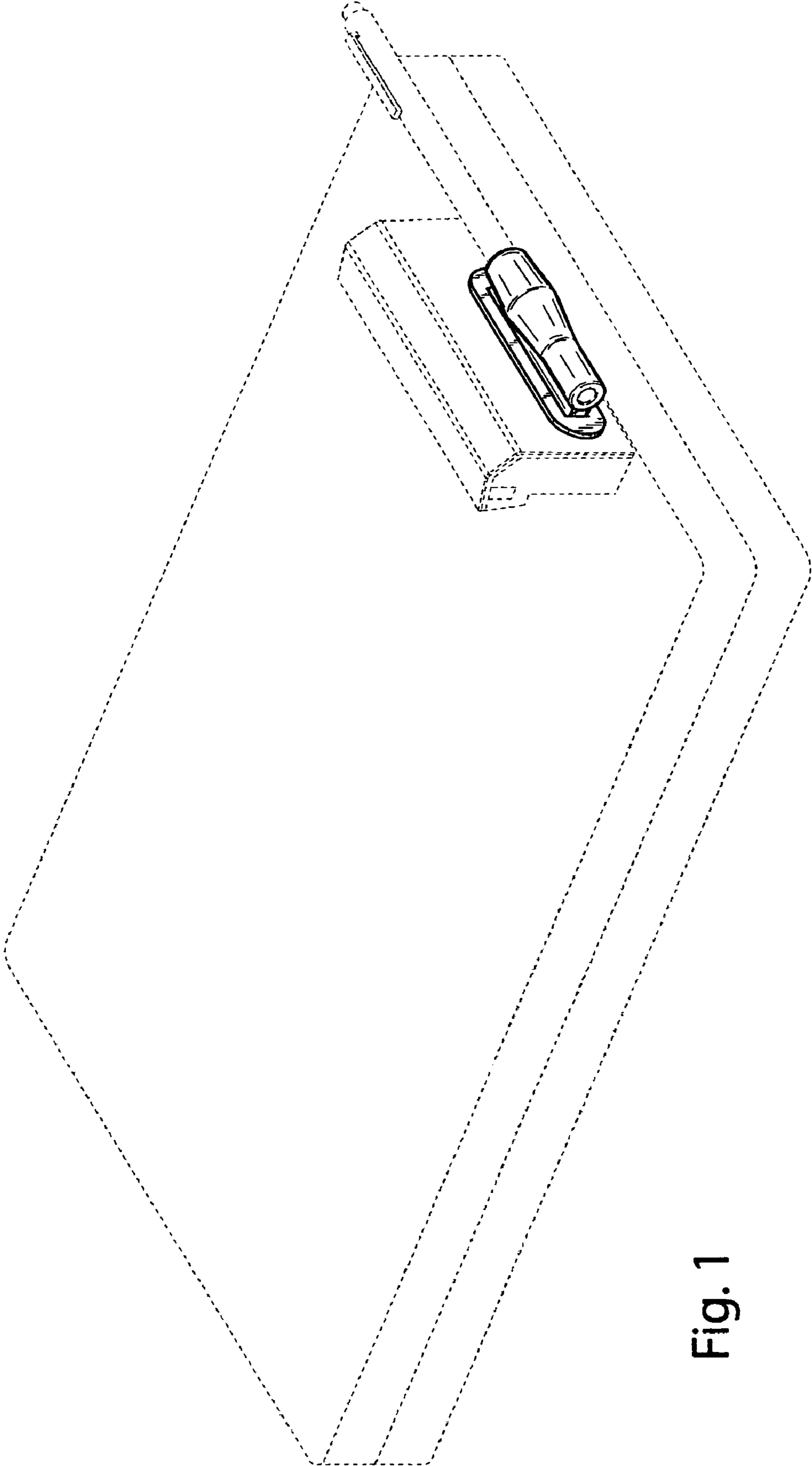


Fig. 1

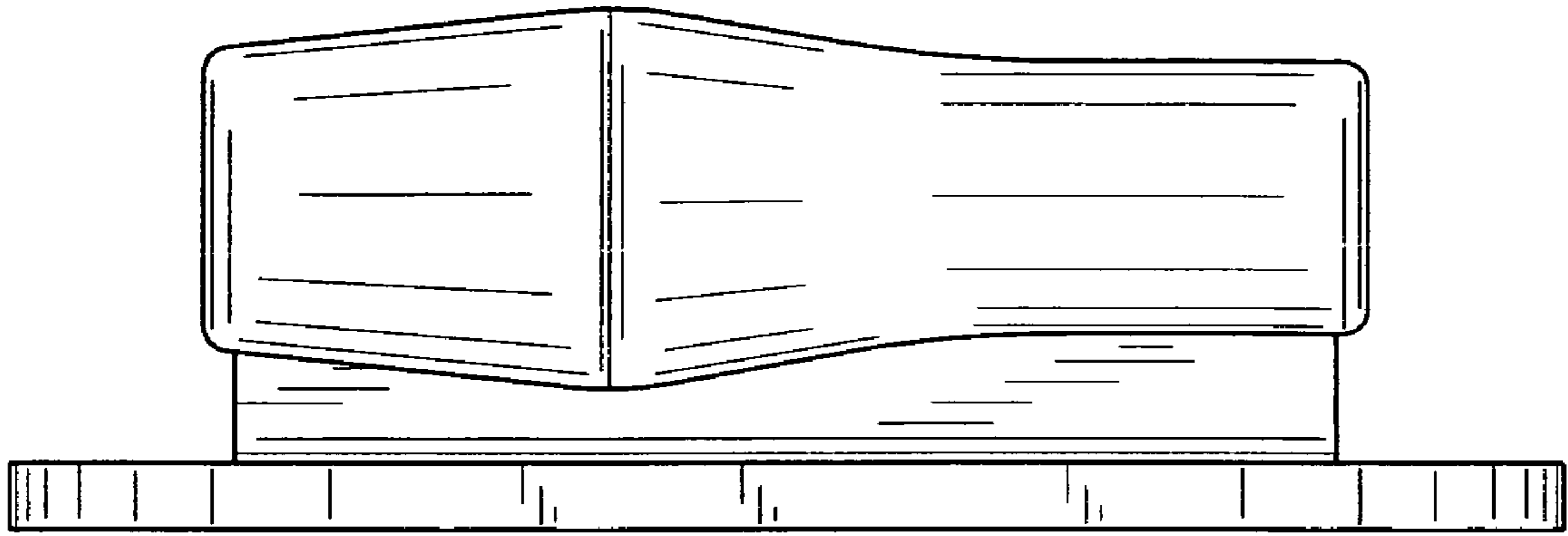


Fig. 2

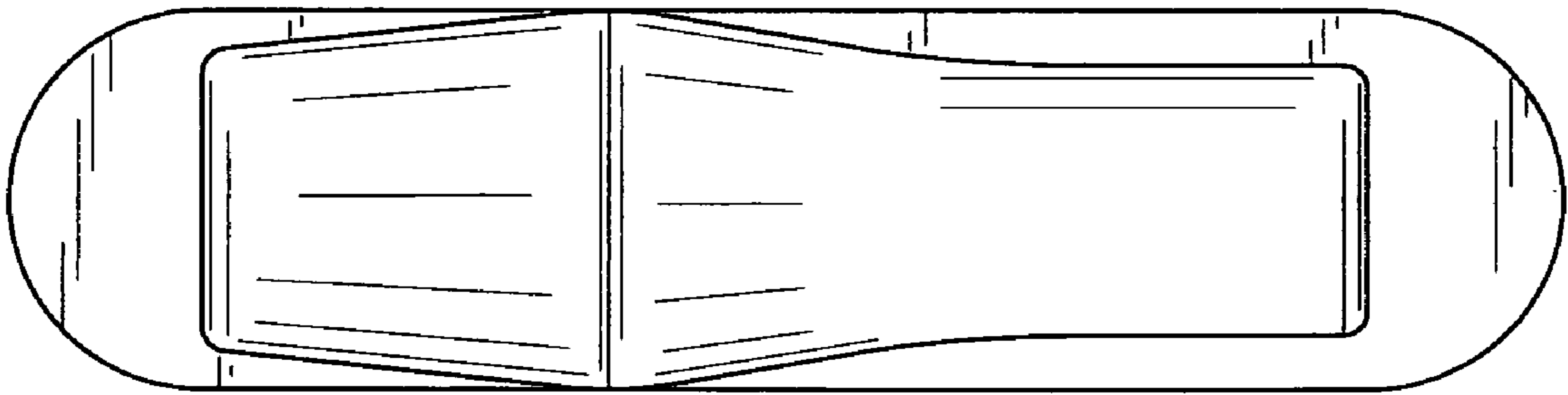


Fig. 3

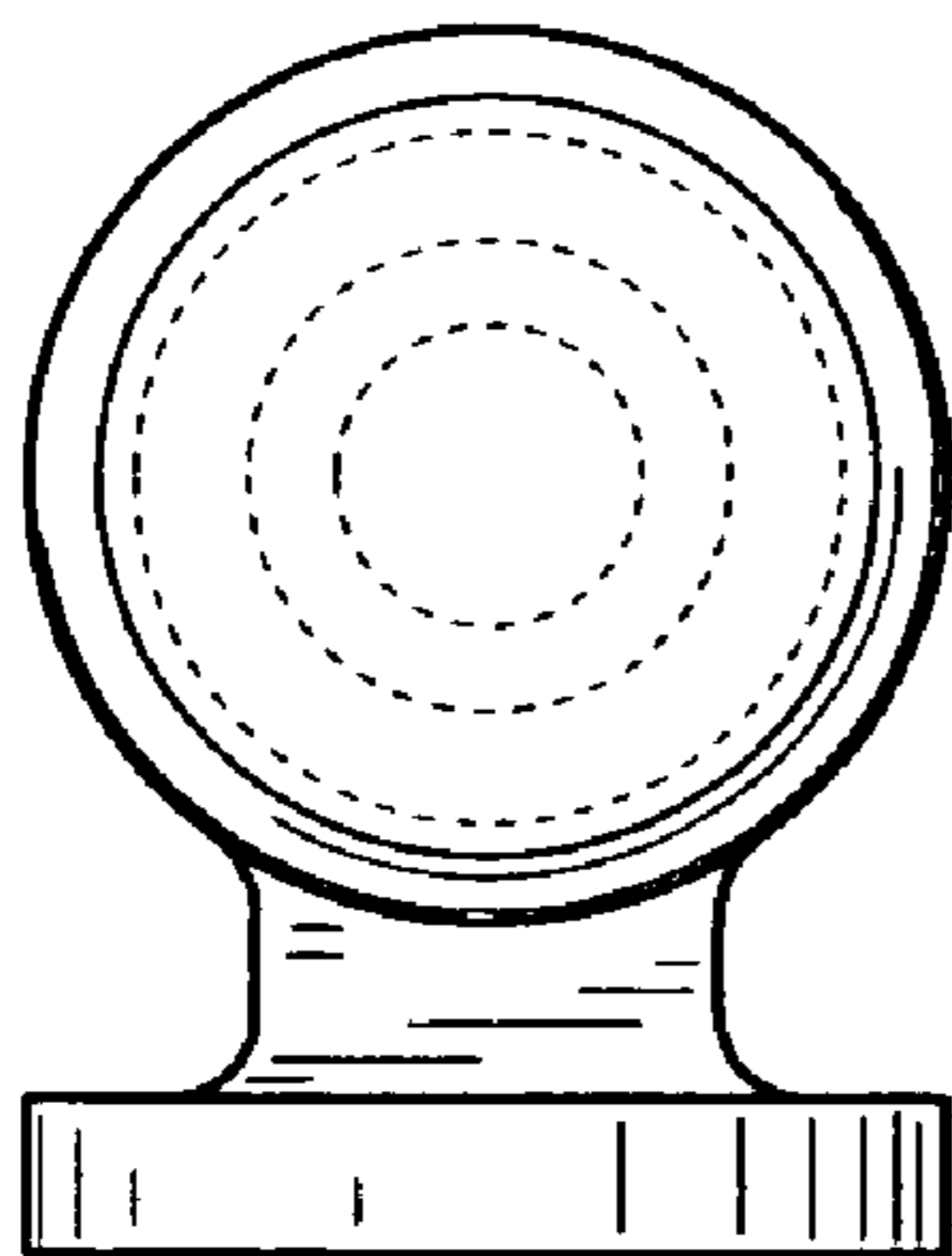


Fig. 4

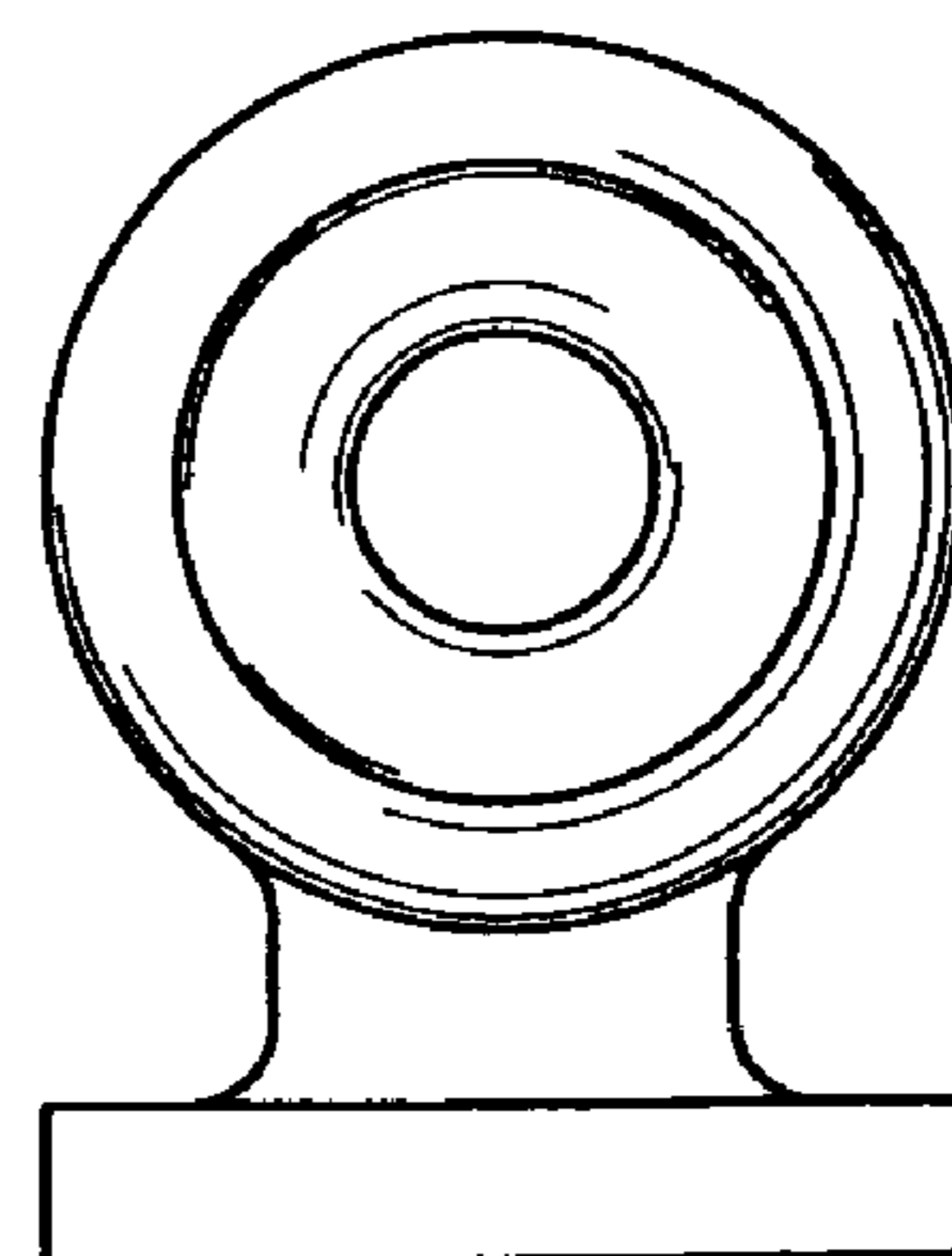


Fig. 5