



US00D608388S

(12) **United States Design Patent**  
**Domae**

(10) **Patent No.:** **US D608,388 S**  
(45) **Date of Patent:** **\*\* Jan. 19, 2010**

(54) **SUPPORTING MATERIAL OF INK CONTAINER FOR INK CARTRIDGE**

D585,091 S \* 1/2009 Matsumoto ..... D18/56

\* cited by examiner

(75) Inventor: **Yoshinori Domae**, Chiba (JP)

*Primary Examiner*—Cathy Anne MacCormac

(73) Assignee: **Seiko I Infotech Inc.**, Chiba (JP)

(74) *Attorney, Agent, or Firm*—Finnegan, Henderson, Farabow, Garrett & Dunner, L.L.P.

(\*\*) Term: **14 Years**

(57) **CLAIM**

(21) Appl. No.: **29/328,604**

The ornamental design for a supporting material of ink container for ink cartridge, as shown and described.

(22) Filed: **Nov. 26, 2008**

(30) **Foreign Application Priority Data**

**DESCRIPTION**

May 28, 2008 (JP) ..... 2008-013379

(51) **LOC (9) Cl.** ..... **18-02**

(52) **U.S. Cl.** ..... **D18/56**

(58) **Field of Classification Search** ..... D18/40,  
D18/43, 56; 347/47, 86–87

See application file for complete search history.

FIG. 1 is a perspective view of the front, right side and top plan of a supporting material of ink container for ink cartridge showing my new design;

FIG. 2 is a front view thereof;

FIG. 3 is a rear view thereof;

FIG. 4 is a top plan view thereof;

FIG. 5 is a bottom view thereof;

FIG. 6 is a left side view thereof;

FIG. 7 is a right side view thereof; and,

FIG. 8 is a perspective reference view of the front, right side and top plan showing the usage thereof.

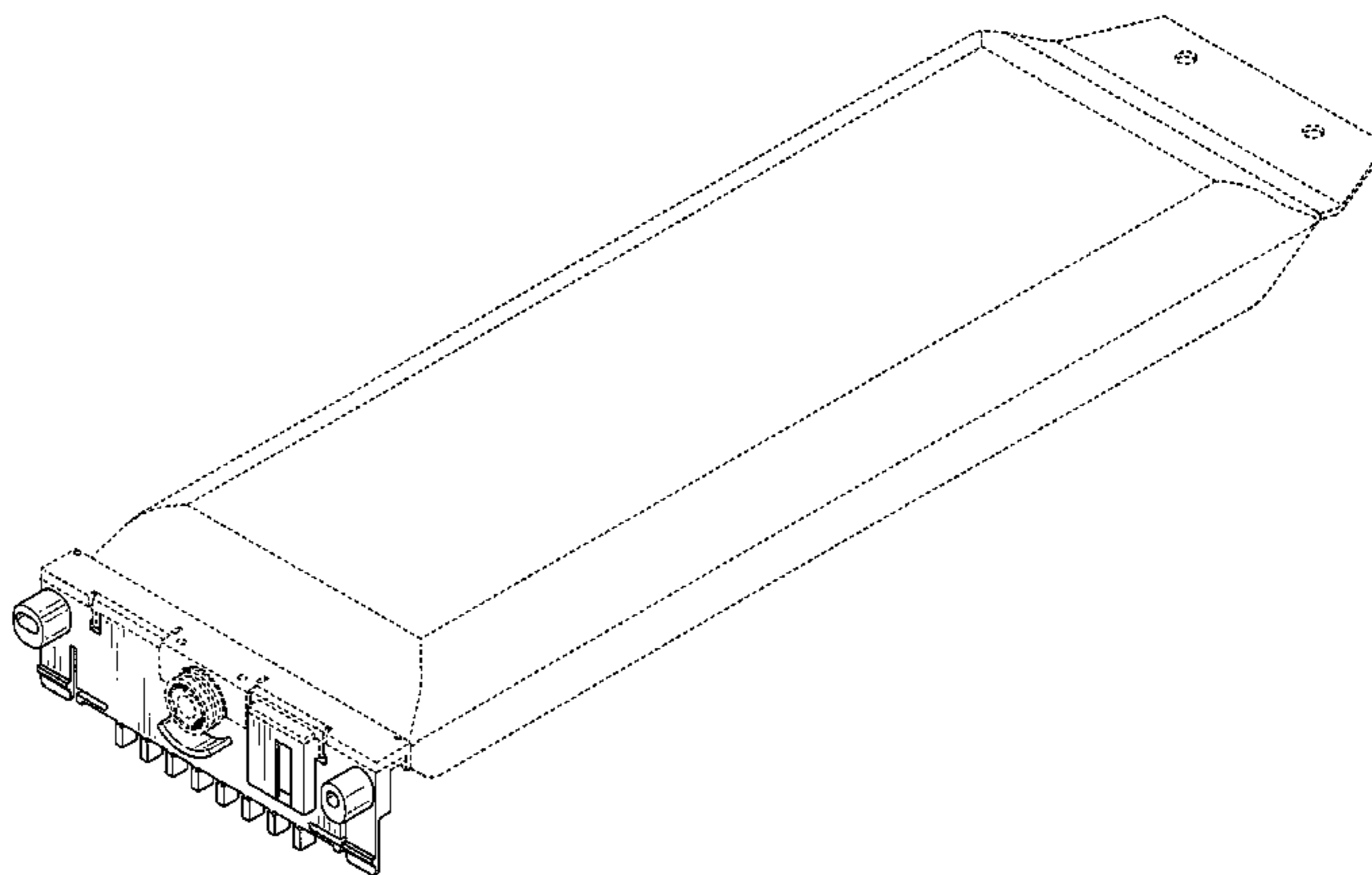
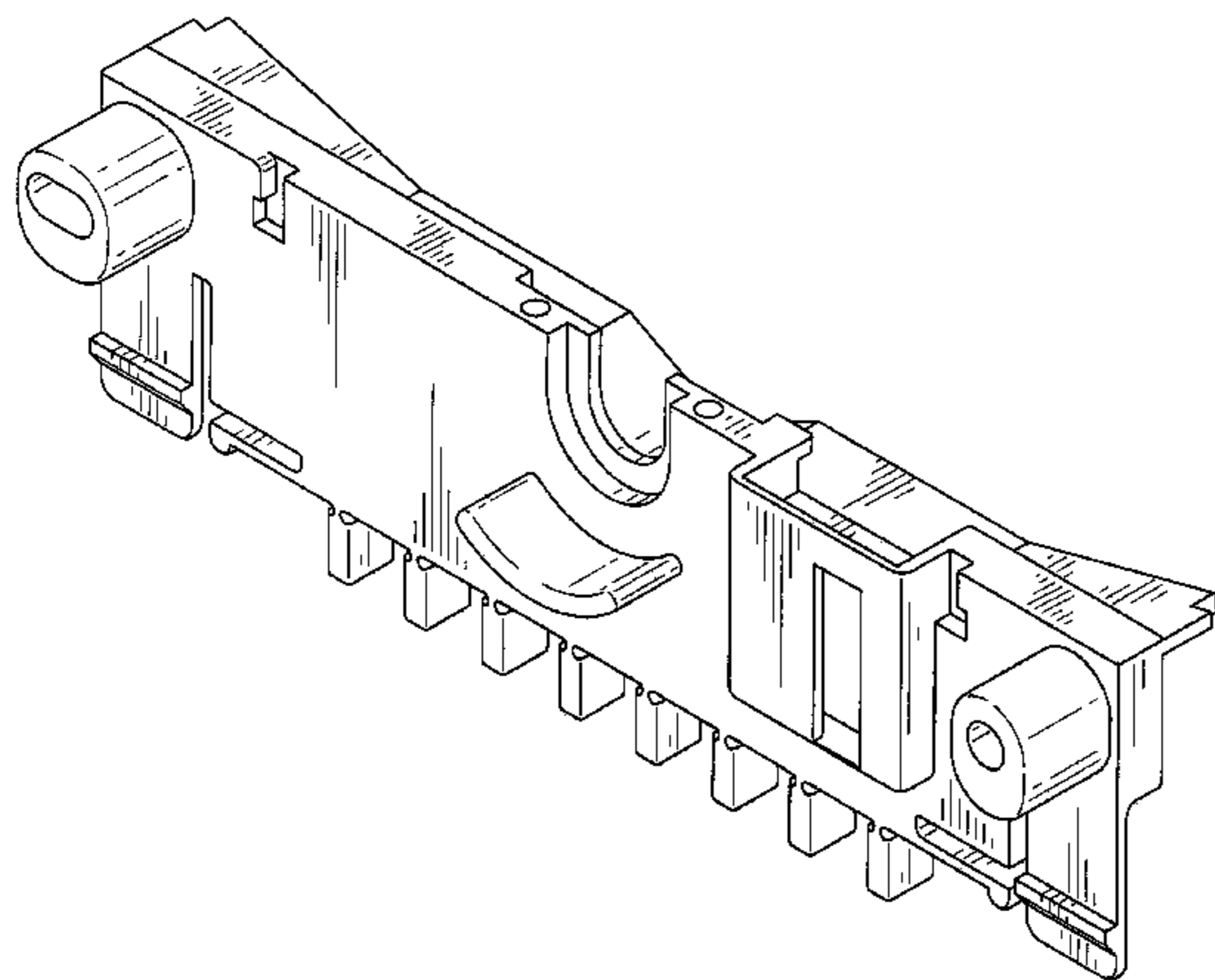
The elements shown in broken lines are for illustrative purposes only and form no part of the claimed design.

(56) **References Cited**

**U.S. PATENT DOCUMENTS**

- D472,267 S \* 3/2003 Shimizu et al. .... D18/56
- D509,242 S \* 9/2005 Muranaka ..... D18/56
- D528,598 S \* 9/2006 Ishizawa et al. .... D18/56
- D540,855 S \* 4/2007 Umezawa et al. .... D18/56
- D542,344 S \* 5/2007 Duby et al. .... D18/56
- D546,876 S \* 7/2007 Muranaka ..... D18/56
- D551,289 S \* 9/2007 Otsuka et al. .... D18/56

**1 Claim, 6 Drawing Sheets**



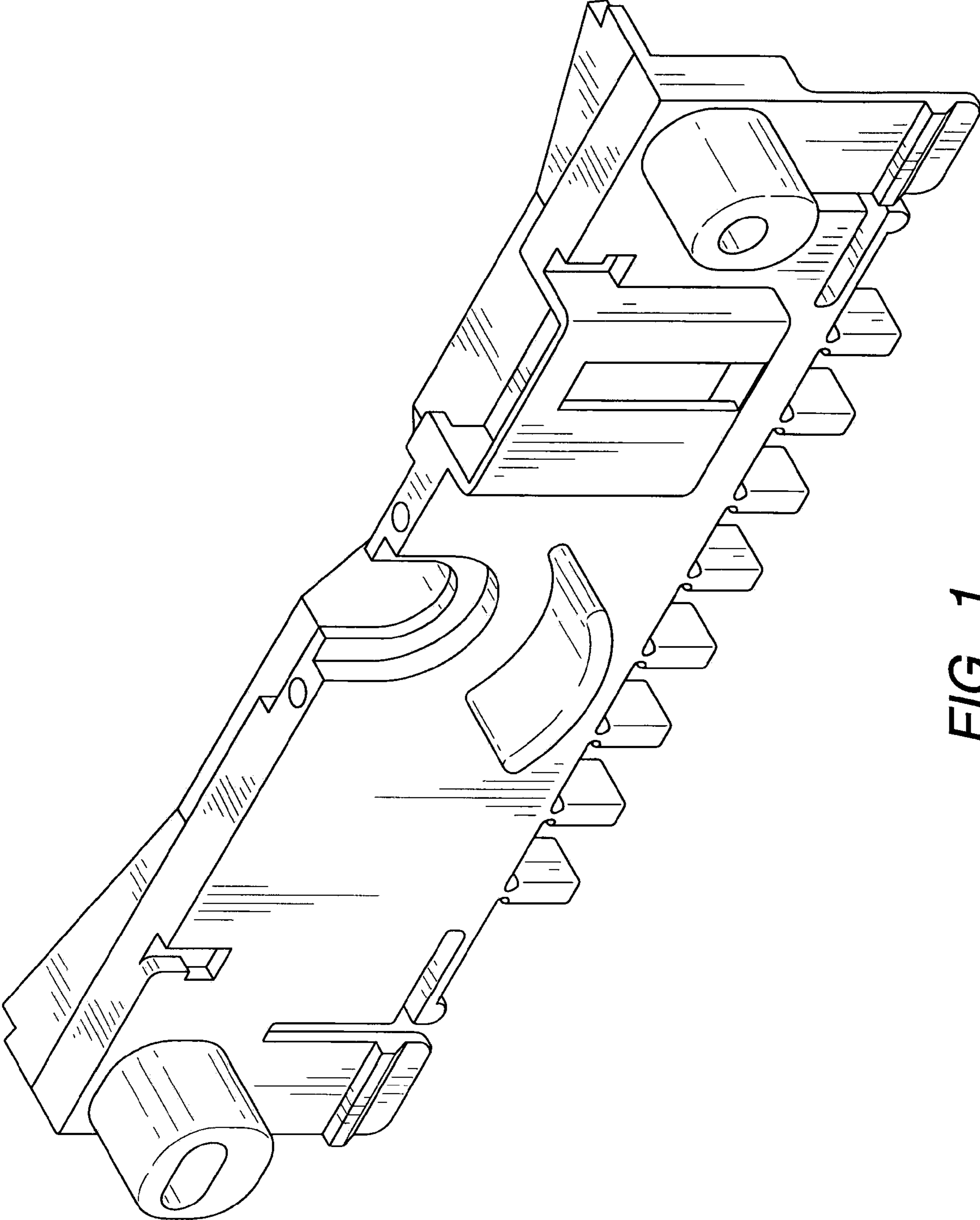


FIG. 1

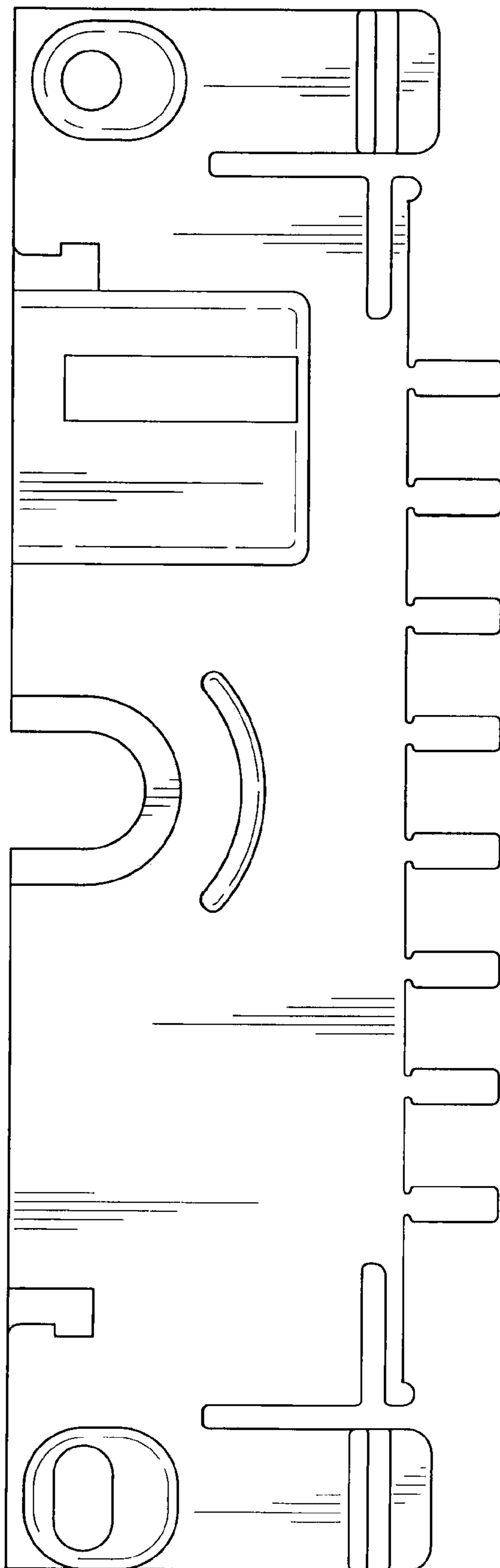


FIG. 2

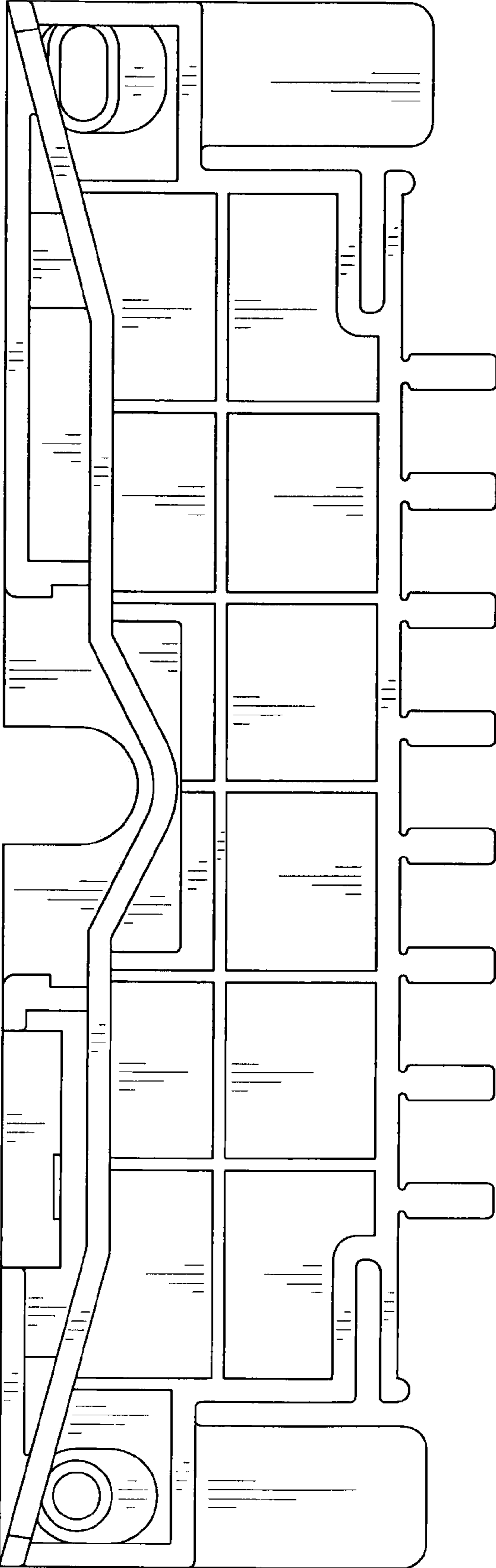


FIG. 3

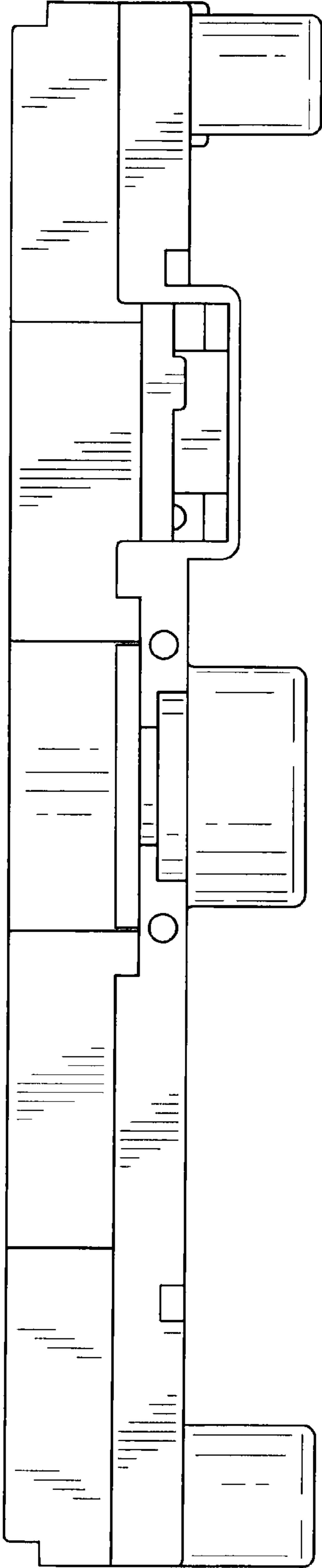


FIG. 4

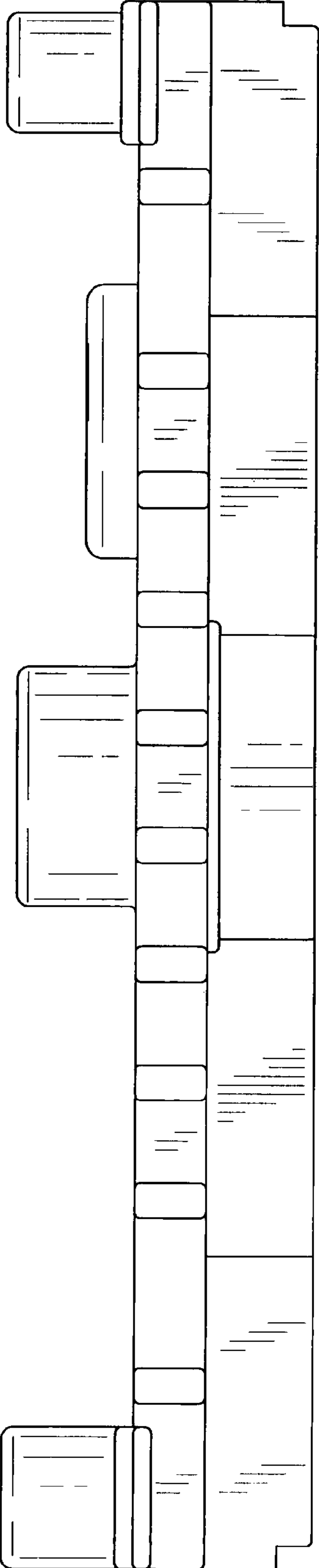
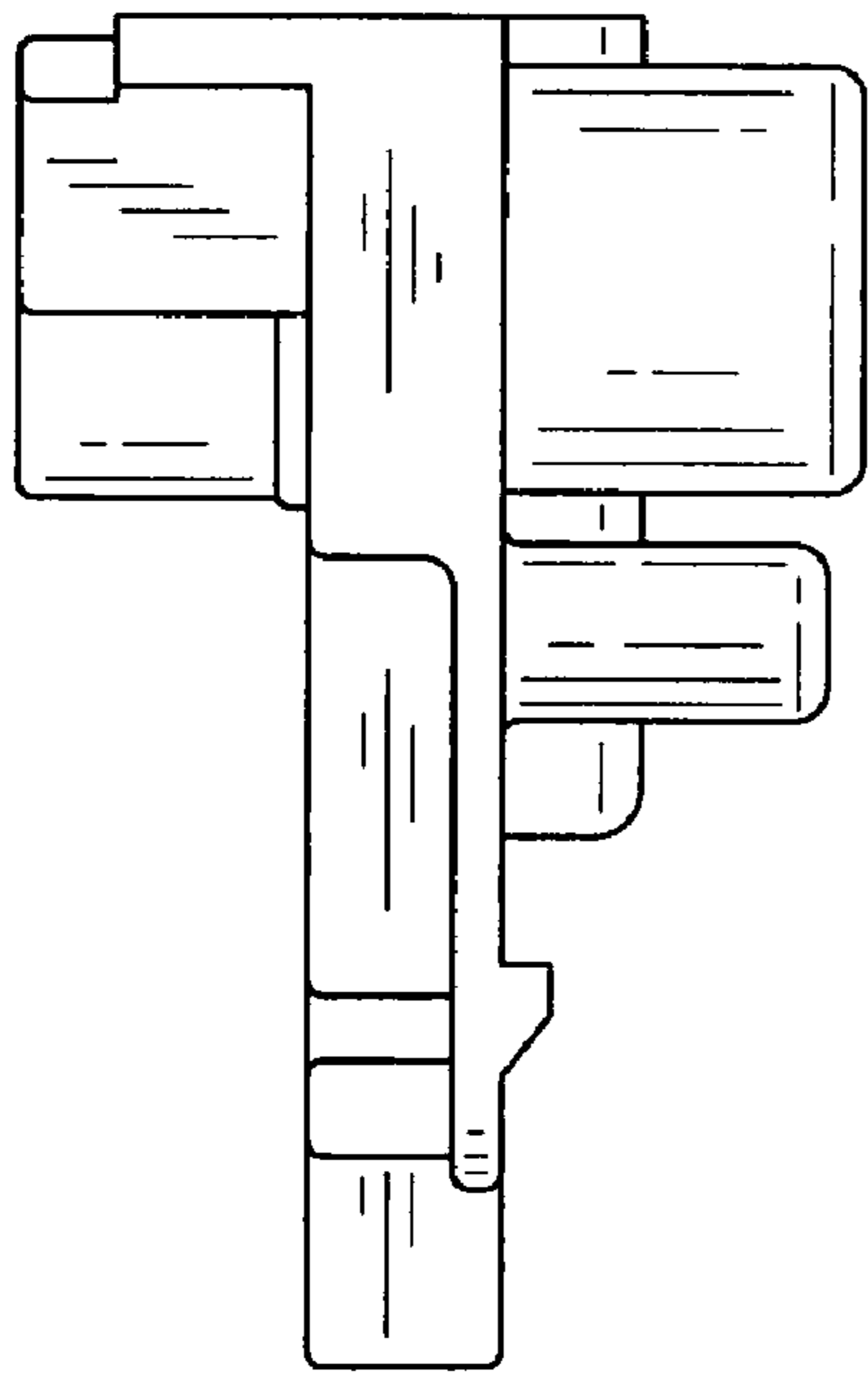
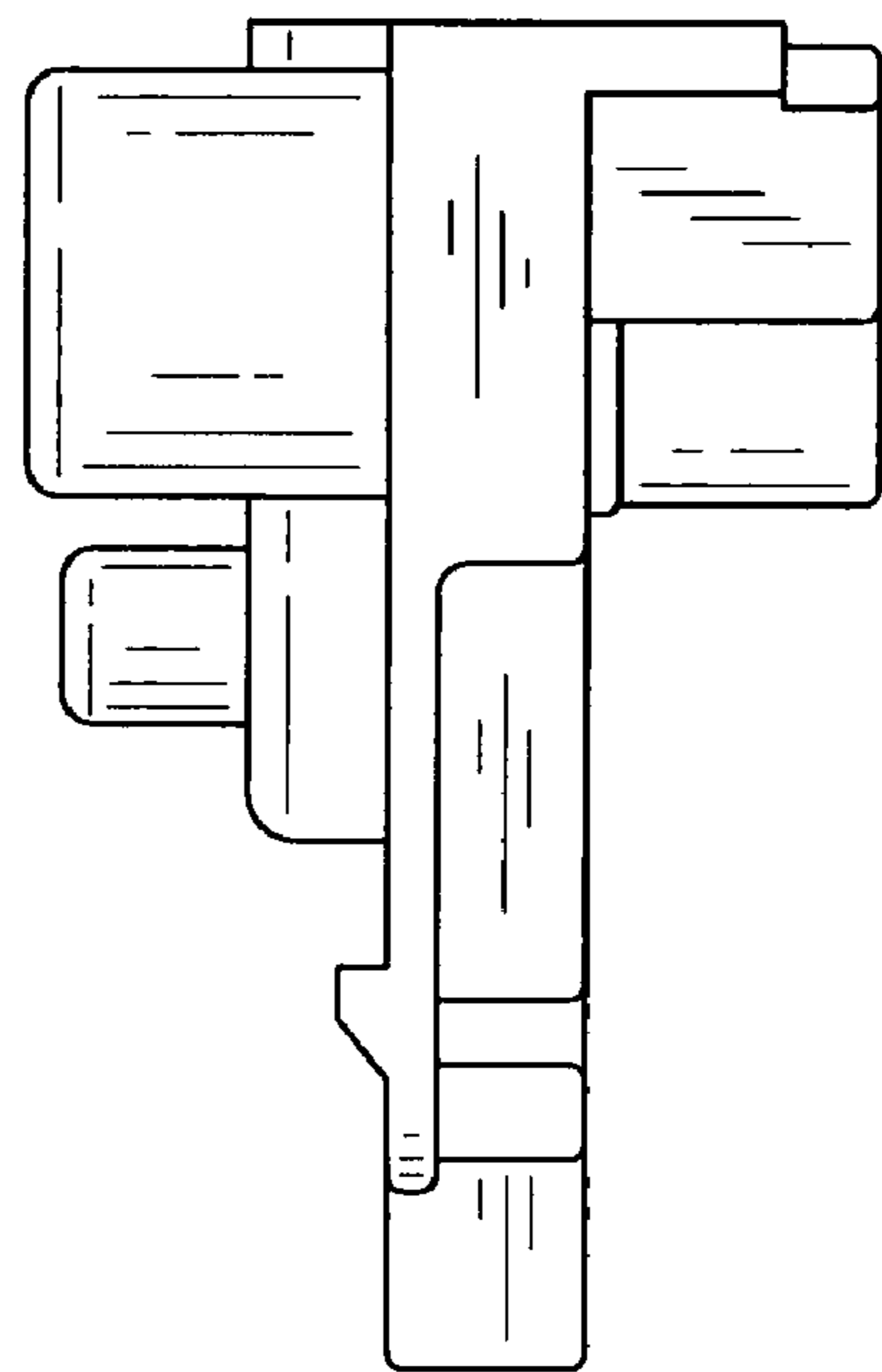


FIG. 5



**FIG. 6**



**FIG. 7**

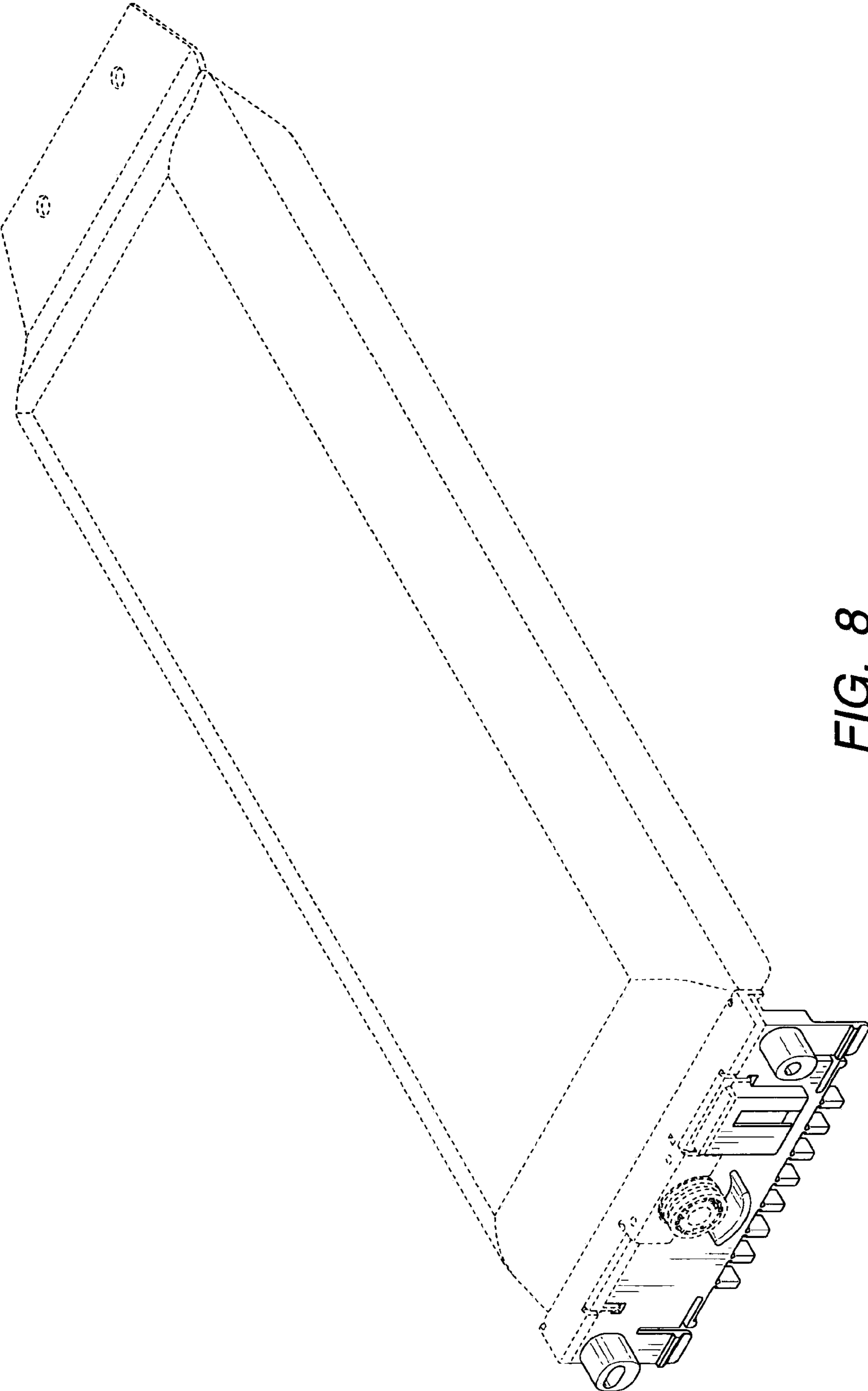


FIG. 8