



US00D608384S

(12) **United States Design Patent**
Tang

(10) **Patent No.:** **US D608,384 S**

(45) **Date of Patent:** **** Jan. 19, 2010**

(54) **SPECTACLE TEMPLES**

(76) **Inventor:** **Kai Alex Tang**, Room 707, 7th Floor,
Winning Commercial Building, Nos.
46-48 Hillwood Road, Tsimshatsui,
Kowloon (HK)

(**) **Term:** **14 Years**

(21) **Appl. No.:** **29/337,132**

(22) **Filed:** **May 15, 2009**

(51) **LOC (9) Cl.** **16-06**

(52) **U.S. Cl.** **D16/335**

(58) **Field of Classification Search** D16/101,
D16/300-342; D29/109-110; D24/110.2;
351/41, 44, 51-52, 62, 158, 92, 103-123,
351/140, 153, 45-46, 157; 2/426-432, 447-449,
2/441, 434-437, 13, 15; D21/483, 659-661
See application file for complete search history.

(56) **References Cited**

U.S. PATENT DOCUMENTS

- D327,079 S * 6/1992 Allen D16/309
- D437,339 S * 2/2001 Tsou D16/306
- D543,573 S * 5/2007 Chuang D16/323
- D549,270 S * 8/2007 Daems et al. D16/321
- D564,570 S * 3/2008 Mage D16/325

- D569,894 S * 5/2008 Corcagnani D16/326
- D575,323 S * 8/2008 Jannard et al. D16/326
- D582,957 S * 12/2008 Moritz D16/309

* cited by examiner

Primary Examiner—Raphael Barkai

(74) *Attorney, Agent, or Firm*—Rabin & Berdo, P.C.

(57) **CLAIM**

The ornamental design for a spectacle temples, as shown and described.

DESCRIPTION

FIG. 1 is a left-top perspective view of a spectacle temples showing my new design;

FIG. 2 is a right-top perspective view thereof;

FIG. 3 is a front view thereof;

FIG. 4 is a rear view thereof;

FIG. 5 is a left side view thereof;

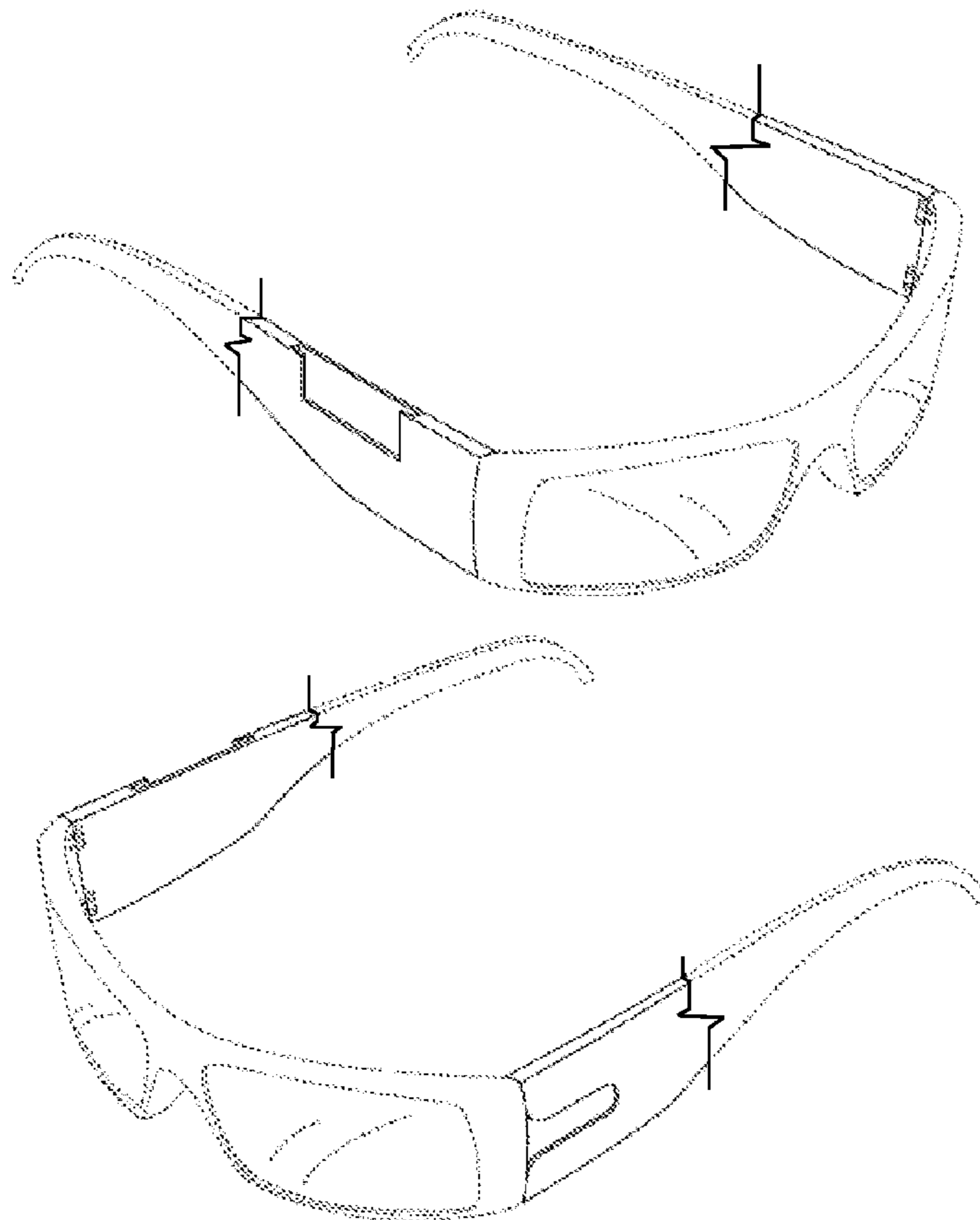
FIG. 6 is a right side view thereof;

FIG. 7 is top a view thereof; and,

FIG. 8 is a bottom view thereof.

The broken line showing in all Figures are for illustrative purposes only and forms no part of the claimed design.

1 Claim, 4 Drawing Sheets



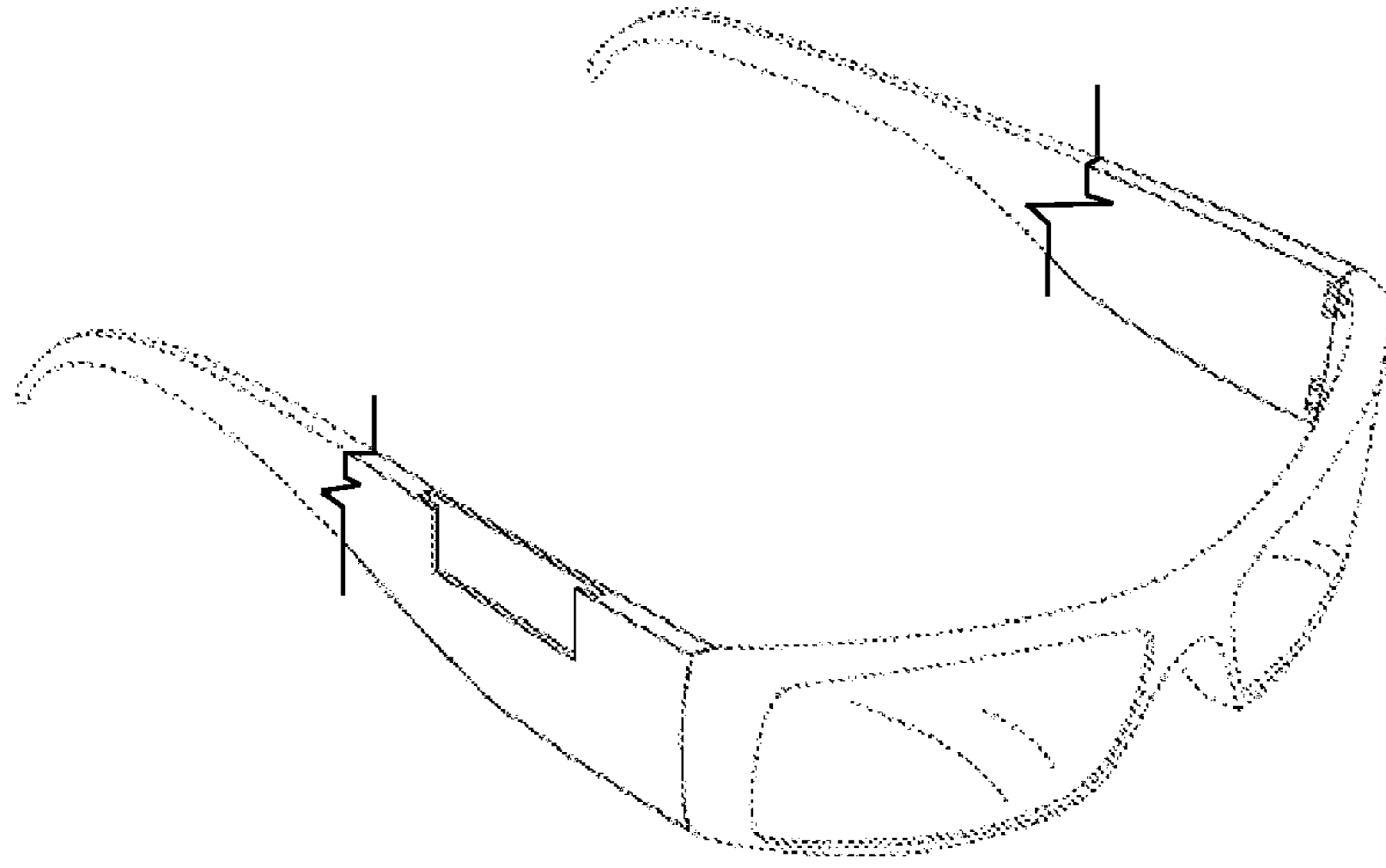


Fig. 1

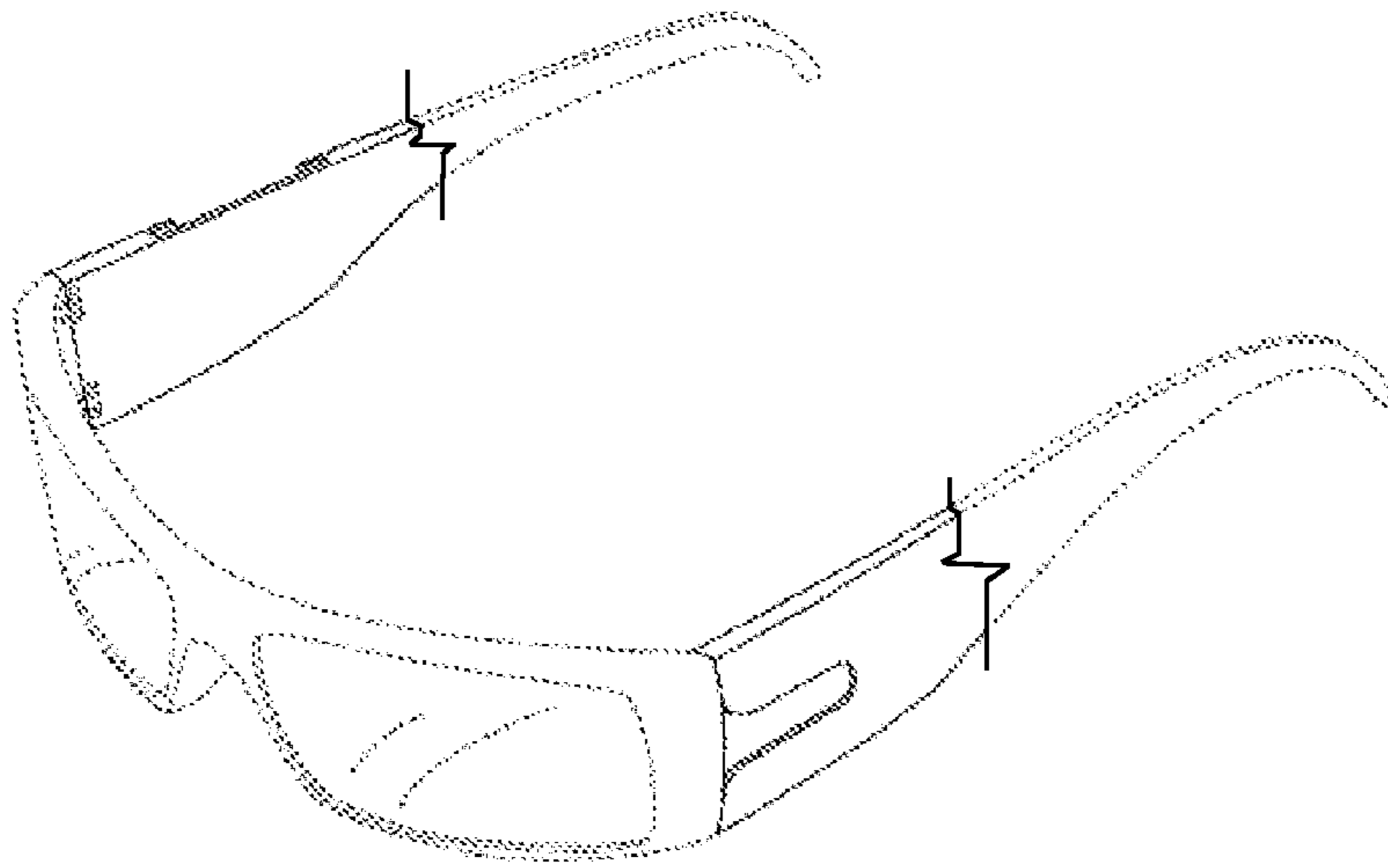


Fig. 2

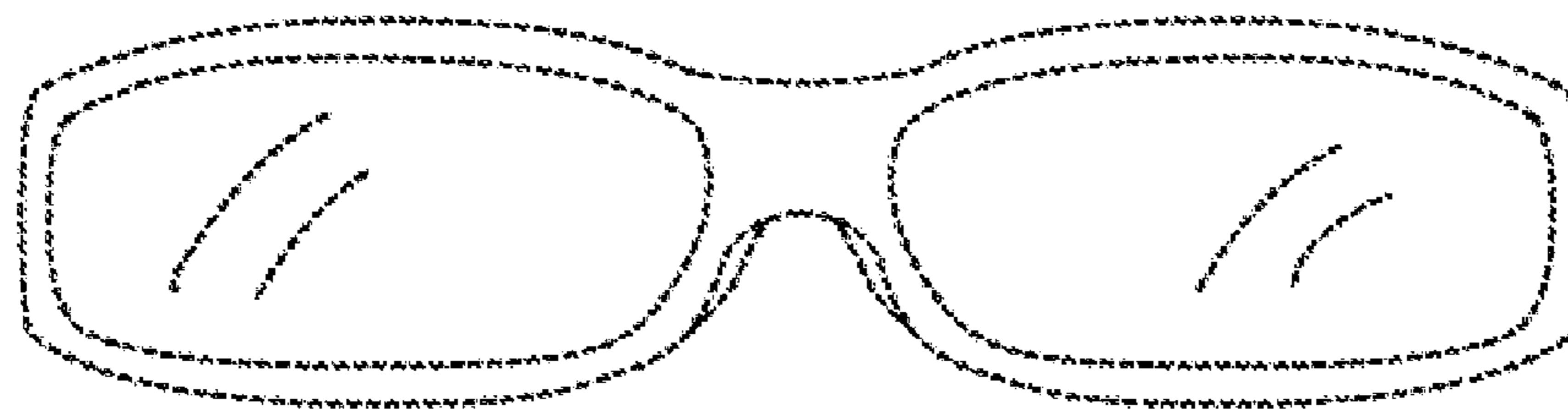


Fig. 3

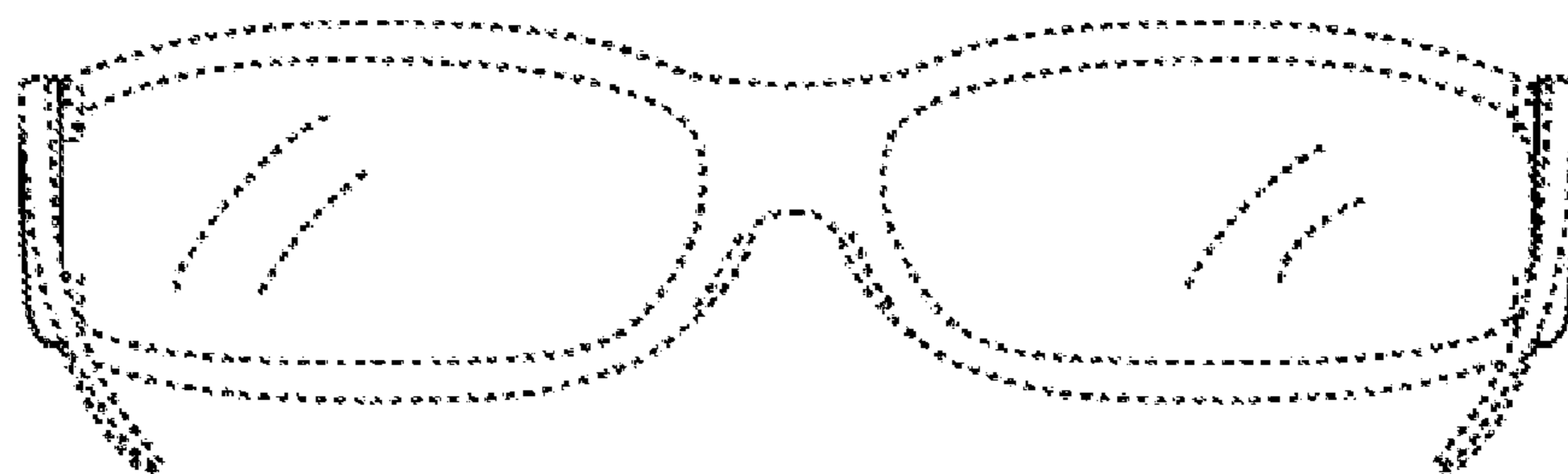


Fig. 4

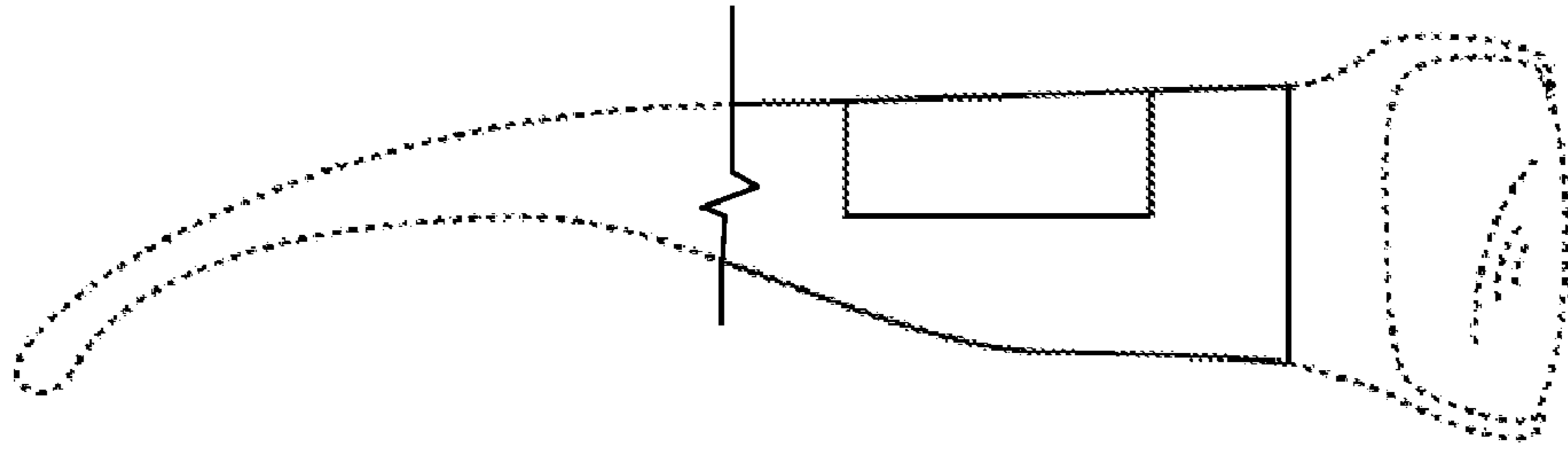


Fig. 5

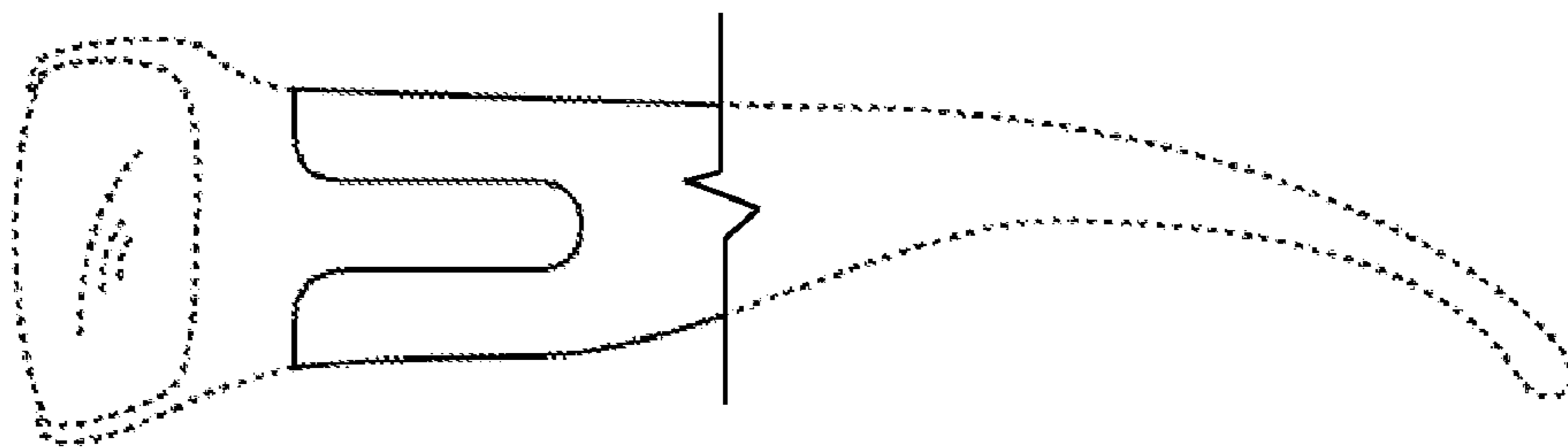


Fig. 6

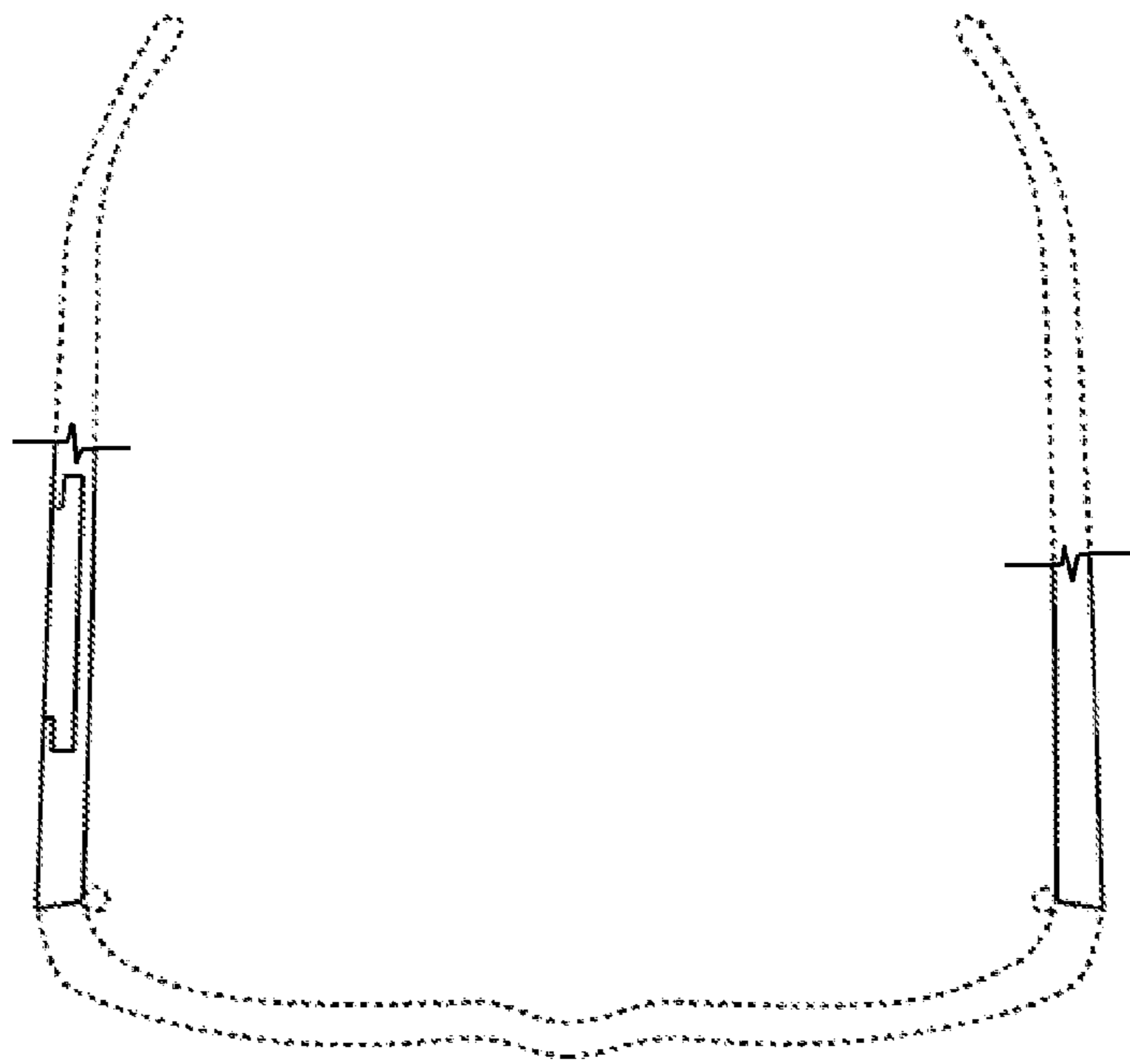


Fig. 7

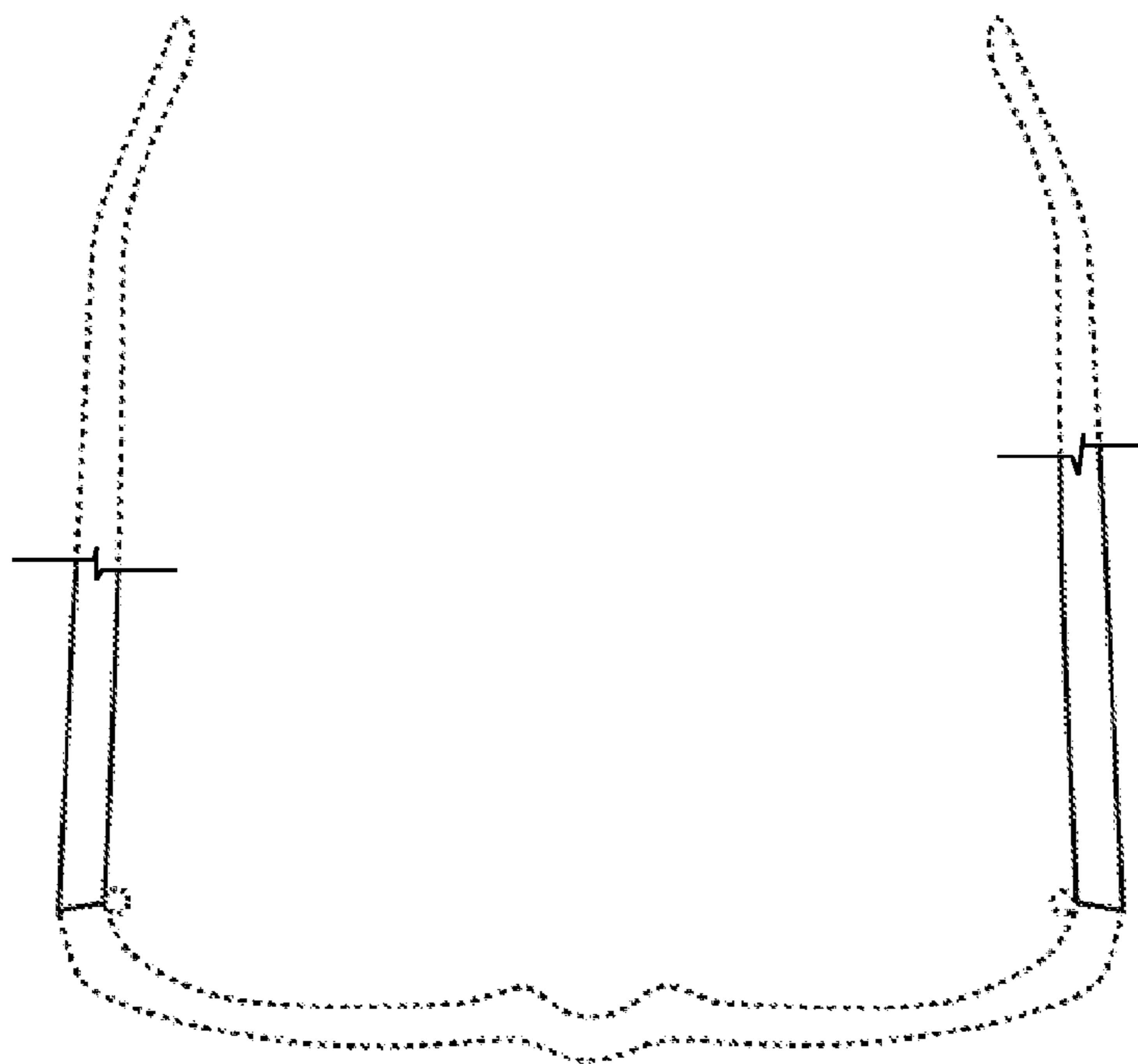


Fig. 8