



US00D608379S

(12) **United States Design Patent**  
**Kinemura**

(10) **Patent No.:** **US D608,379 S**  
(45) **Date of Patent:** **\*\* Jan. 19, 2010**

(54) **DIGITAL VIDEO CAMERA**

(75) Inventor: **Hiroyuki Kinemura**, Nishinomiya (JP)  
(73) Assignee: **Sanyo Electric Co., Ltd.**, Osaka (JP)  
(\*\*) Term: **14 Years**

(21) Appl. No.: **29/332,786**  
(22) Filed: **Feb. 25, 2009**

(30) **Foreign Application Priority Data**  
Sep. 19, 2008 (JP) ..... D2008-024076

(51) **LOC (9) Cl.** ..... **16-01**  
(52) **U.S. Cl.** ..... **D16/202**  
(58) **Field of Classification Search** ..... D16/200–205,  
D16/208, 218; 348/373–376; 396/535–541  
See application file for complete search history.

(56) **References Cited**

**U.S. PATENT DOCUMENTS**

D521,041 S *	5/2006	Chung et al.	.....	D16/202
D544,514 S *	6/2007	Tanifuji et al.	.....	D16/202
D559,878 S *	1/2008	Sadatsuki	.....	D16/202
D561,800 S *	2/2008	Sadatsuki	.....	D16/202
D563,447 S *	3/2008	Narita et al.	.....	D16/202
D570,892 S *	6/2008	Naruki	.....	D16/202
D581,439 S *	11/2008	Narita et al.	.....	D16/202
D593,589 S *	6/2009	Tanifuji	.....	D16/202
2007/0153120 A1 *	7/2007	Kajikawa et al.	.....	348/373

**FOREIGN PATENT DOCUMENTS**

JP	D1302306	6/2007
JP	D1324698	3/2008
JP	D1324718	3/2008
JP	D1324739	3/2008
JP	D1325299	3/2008
JP	D1325300	3/2008

\* cited by examiner

*Primary Examiner*—Adir Aronovich  
(74) *Attorney, Agent, or Firm*—Darby & Darby

(57) **CLAIM**

The ornamental design for a digital video camera, as shown and described.

**DESCRIPTION**

FIG. 1 is a front, top and right side perspective view of a digital video camera showing my new design;

FIG. 2 is a rear, top and right side perspective view of a digital video camera, showing the display monitor in an open position;

FIG. 3 is a front elevational view thereof;

FIG. 4 is a rear elevational view thereof;

FIG. 5 is a top plan view thereof;

FIG. 6 is a bottom plan view thereof;

FIG. 7 is a left-side elevation view thereof; and,

FIG. 8 is a right-side elevation view thereof.

**1 Claim, 4 Drawing Sheets**

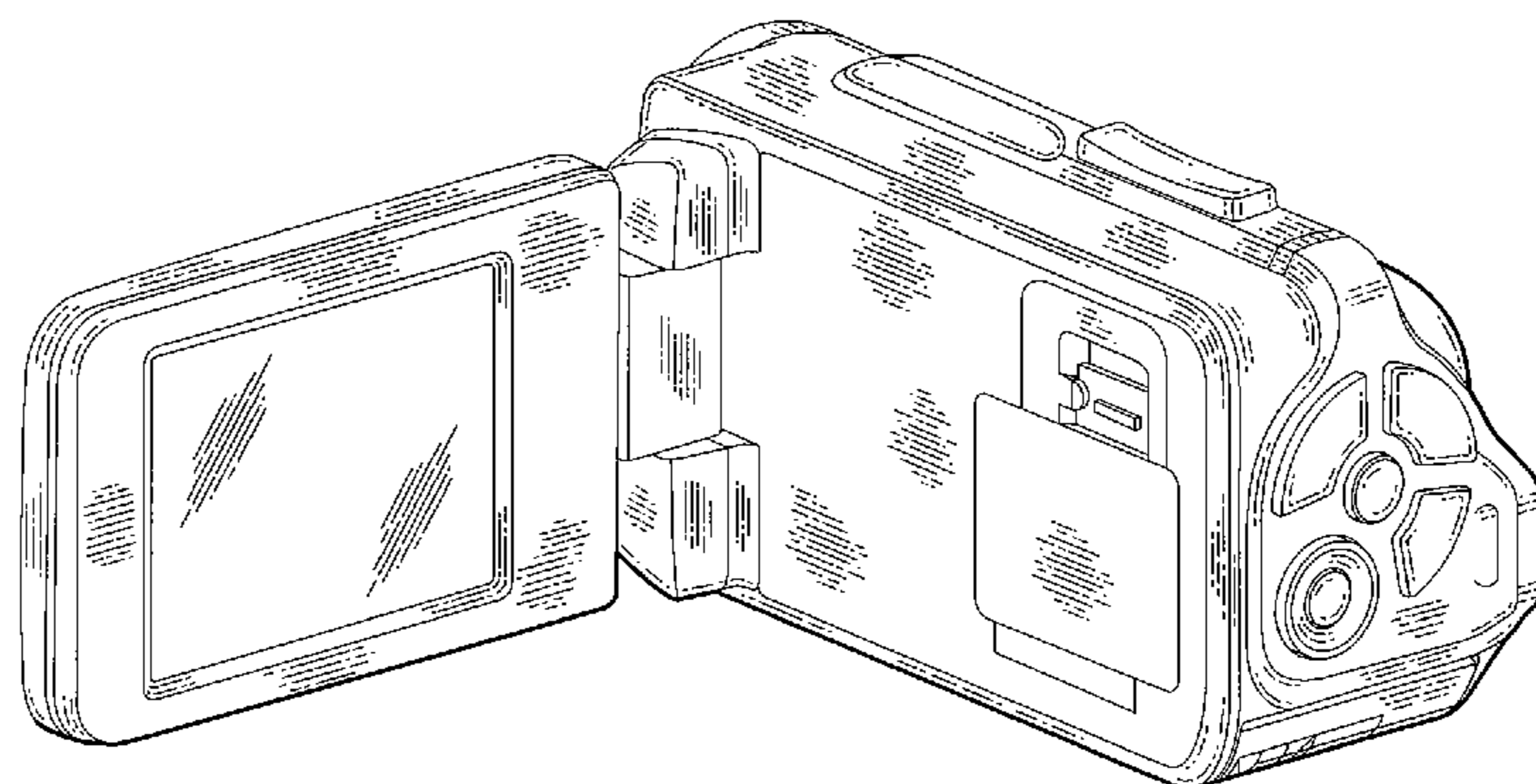
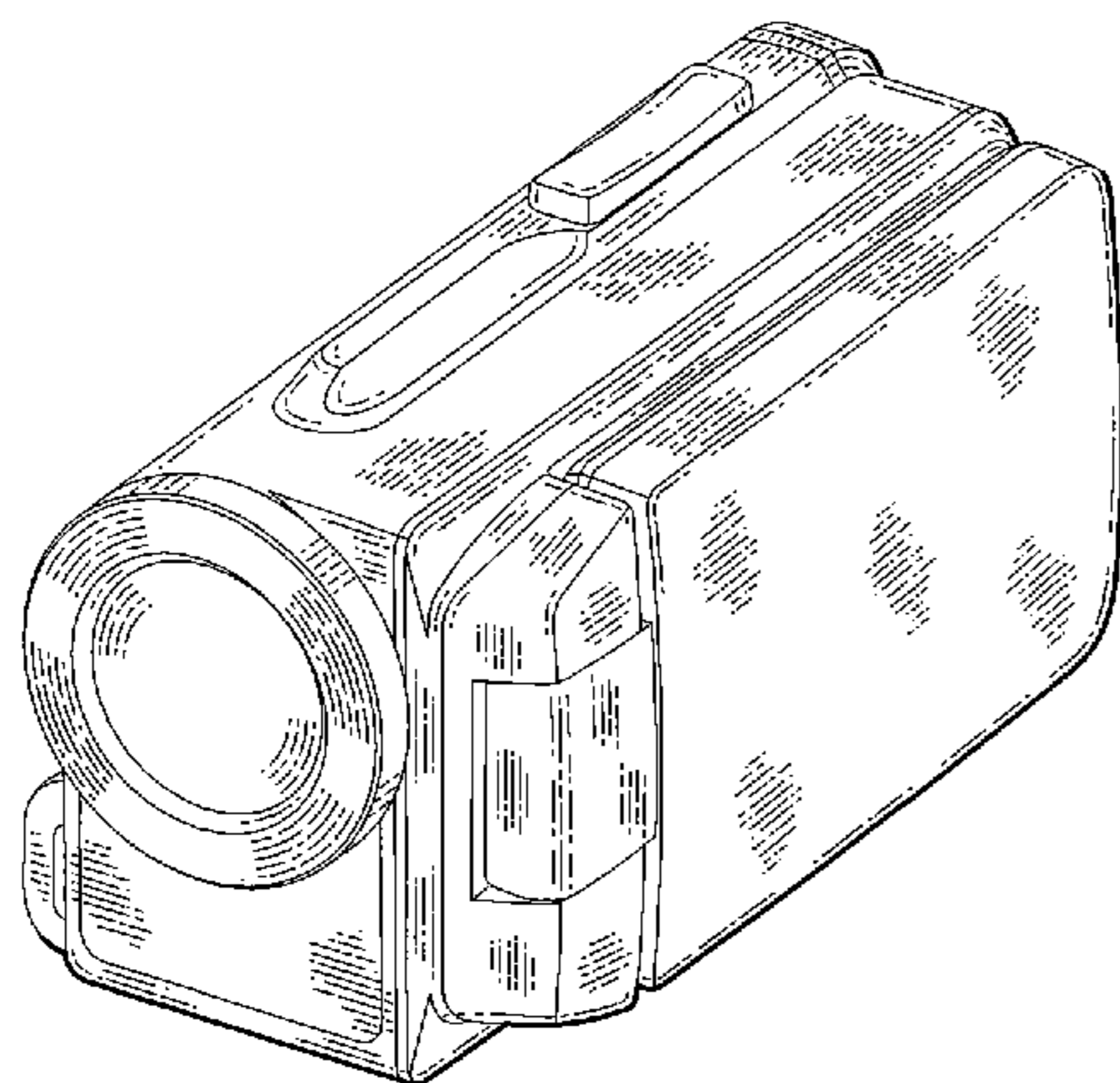


FIG. 1

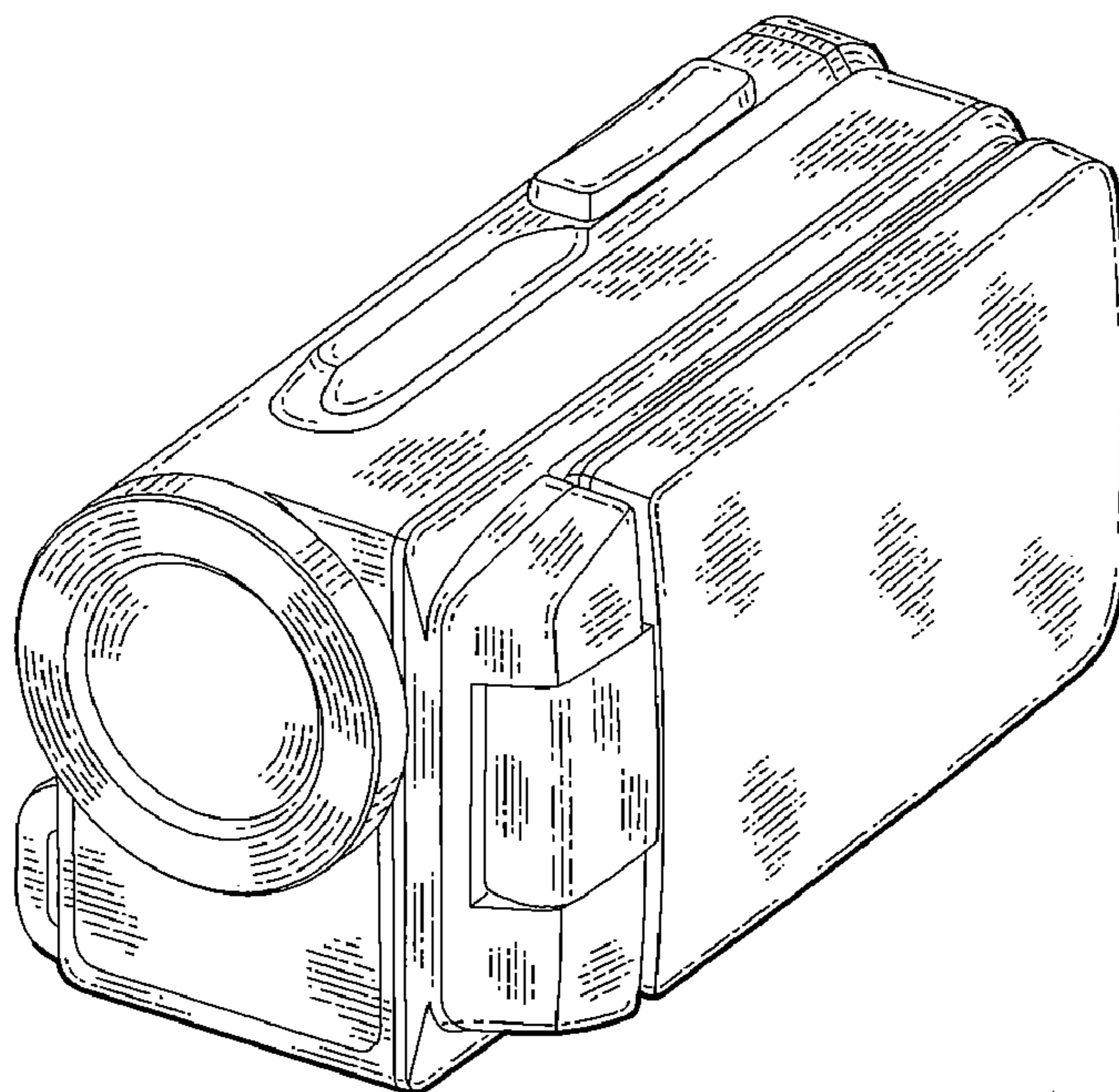


FIG. 2

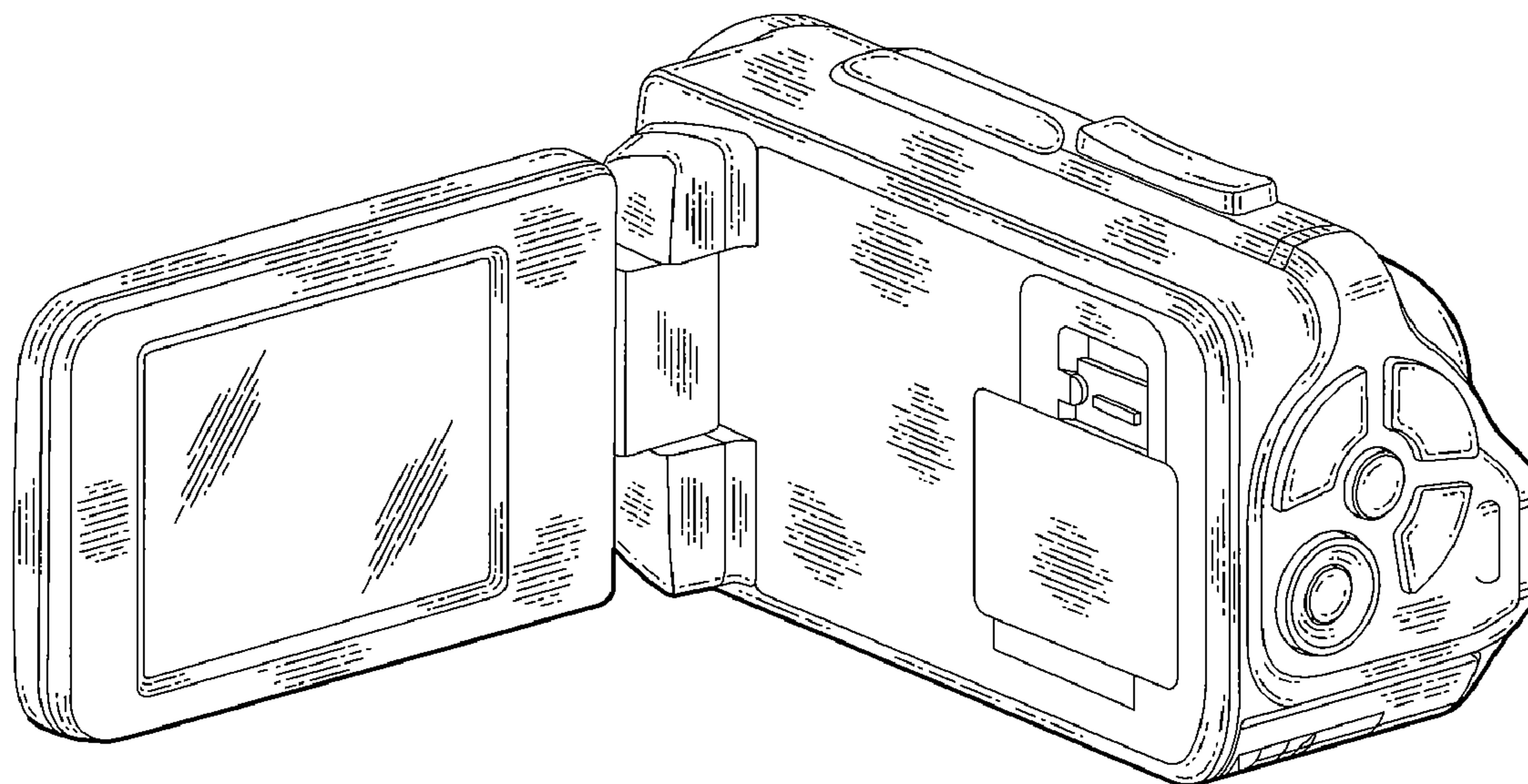


FIG. 3

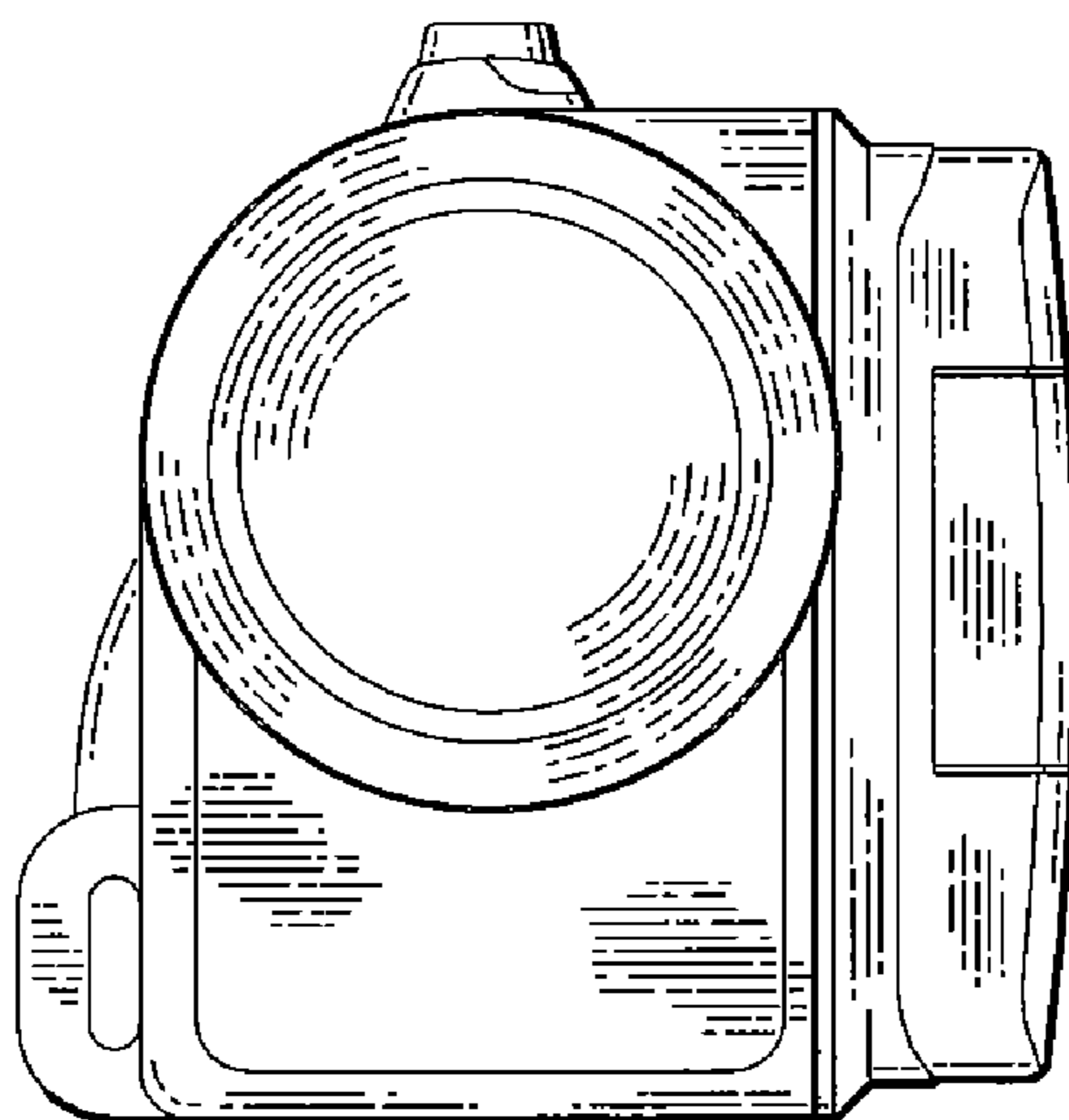


FIG. 4

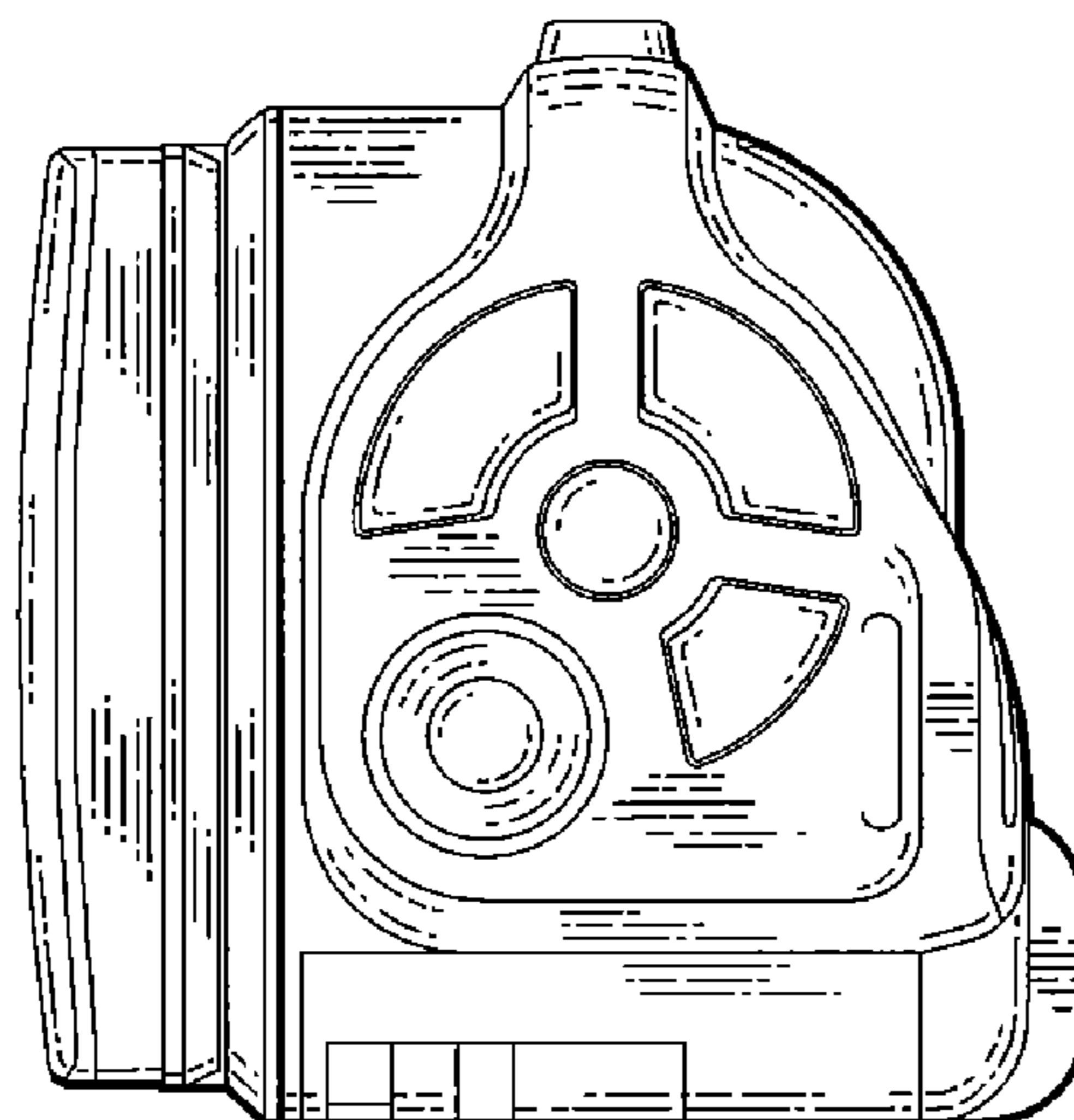


FIG. 5

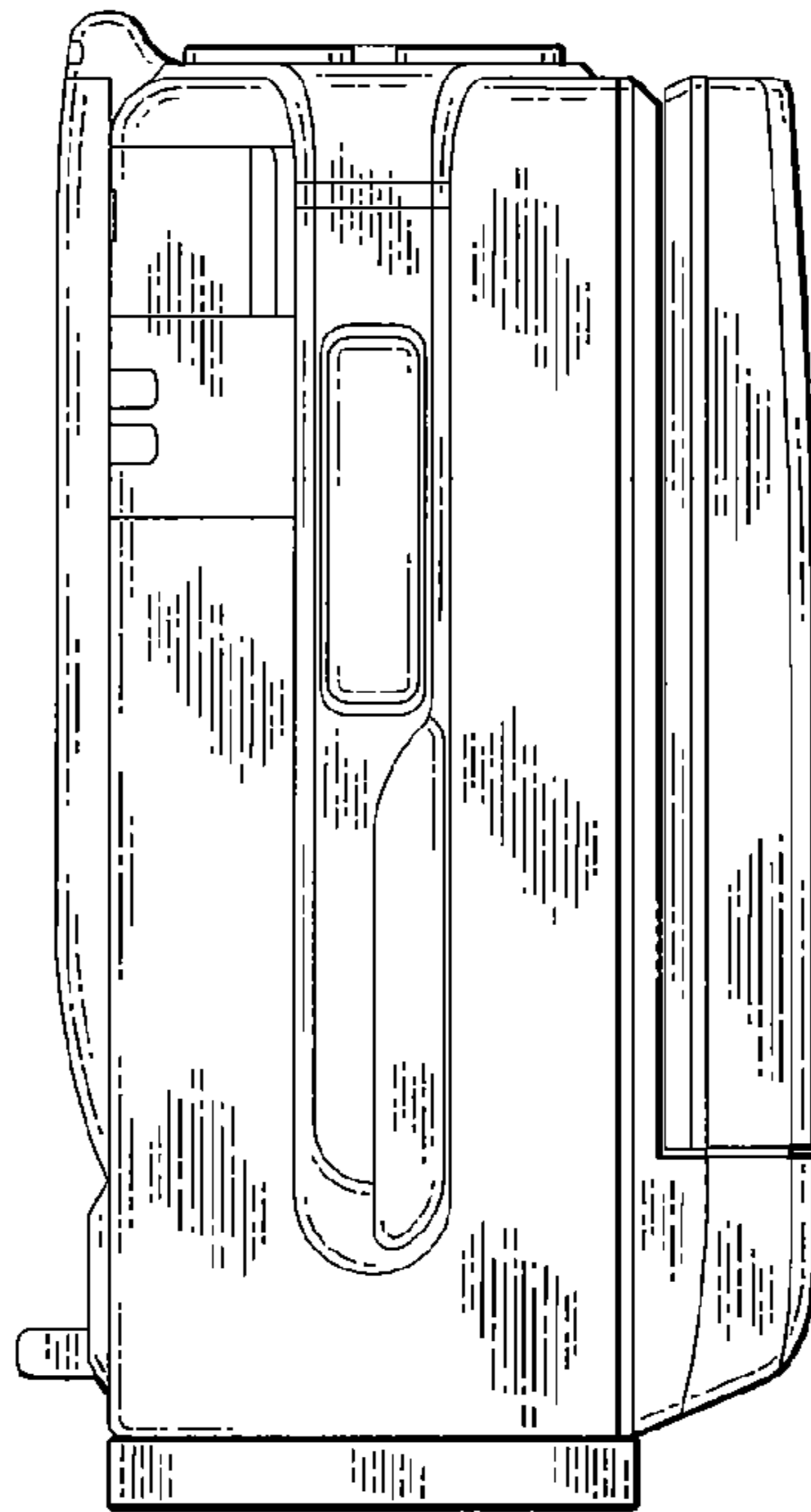


FIG. 6

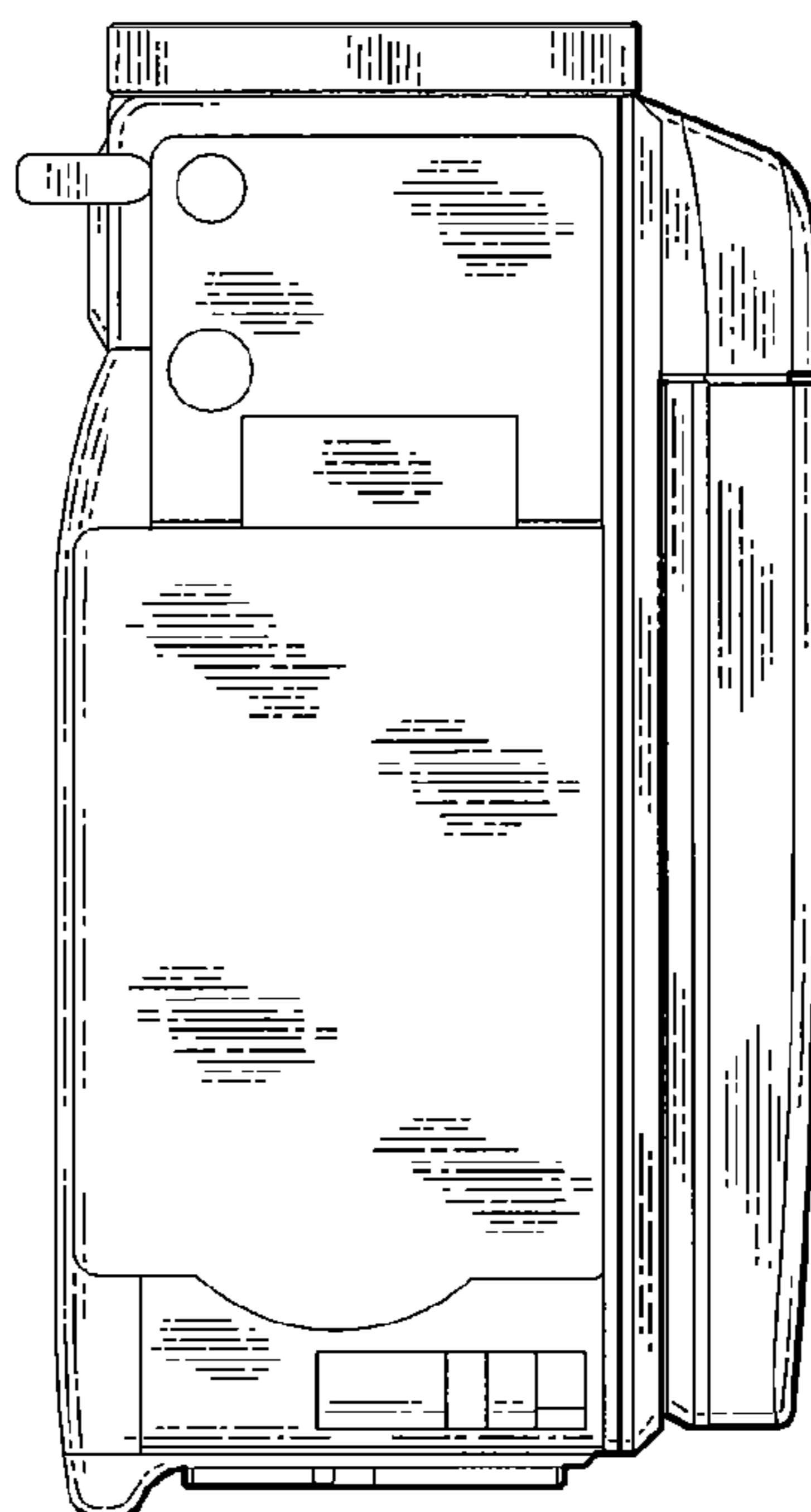




FIG. 7

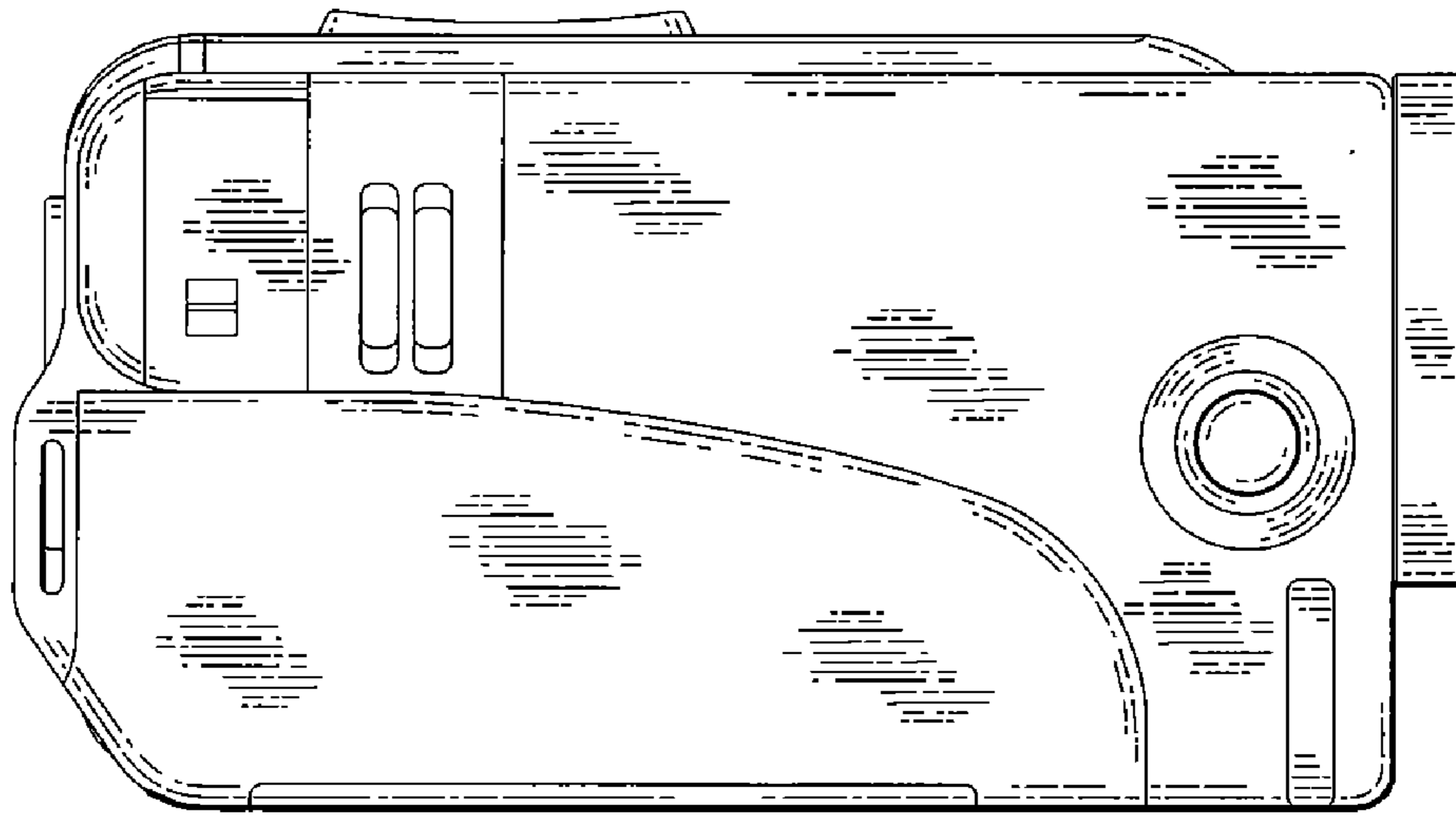


FIG. 8

