



US00D608377S

(12) **United States Design Patent**
Rosso et al.

(10) **Patent No.:** **US D608,377 S**
(45) **Date of Patent:** **** Jan. 19, 2010**

(54) **OUTSIDE CORNER GATE FOR PAPER
BEADING APPARATUS**

DESCRIPTION

(75) Inventors: **Aaron Charles Rosso**, Chicago, IL (US); **Matthew Earle Myers**, Naperville, IL (US); **Amar Arvind Patel**, South Barrington, IL (US); **Joseph Z. Wascow**, Mundelein, IL (US); **Stephen M. Oshgan**, Des Plaines, IL (US); **Brian A. Retzke**, Downers Grove, IL (US); **Scott Fong**, Causeway Bay (HK)

(73) Assignee: **United States Gypsum Company**, Chicago, IL (US)

(**) Term: **14 Years**

(21) Appl. No.: **29/304,090**

(22) Filed: **Feb. 25, 2008**

(51) **LOC (9) Cl.** **15-09**

(52) **U.S. Cl.** **D15/138**

(58) **Field of Classification Search** D8/14;
D15/135, 136, 137, 138; 118/404, 405, 415,
118/427, 429, DIG. 2; 425/87, 113, 458
See application file for complete search history.

(56) **References Cited**

U.S. PATENT DOCUMENTS

4,079,764 A * 3/1978 Hayes 81/44
(Continued)

OTHER PUBLICATIONS

All-Wall Your Drywall Tools Superstore, 2007-2008 Edition, Catalog Code CAT300C, pp. 56, 57, Kirkland, WA.

Structus Building Technologies product brochure, two pages, 2006.

Primary Examiner—Sandra Snapp

Assistant Examiner—Patricia Palasik

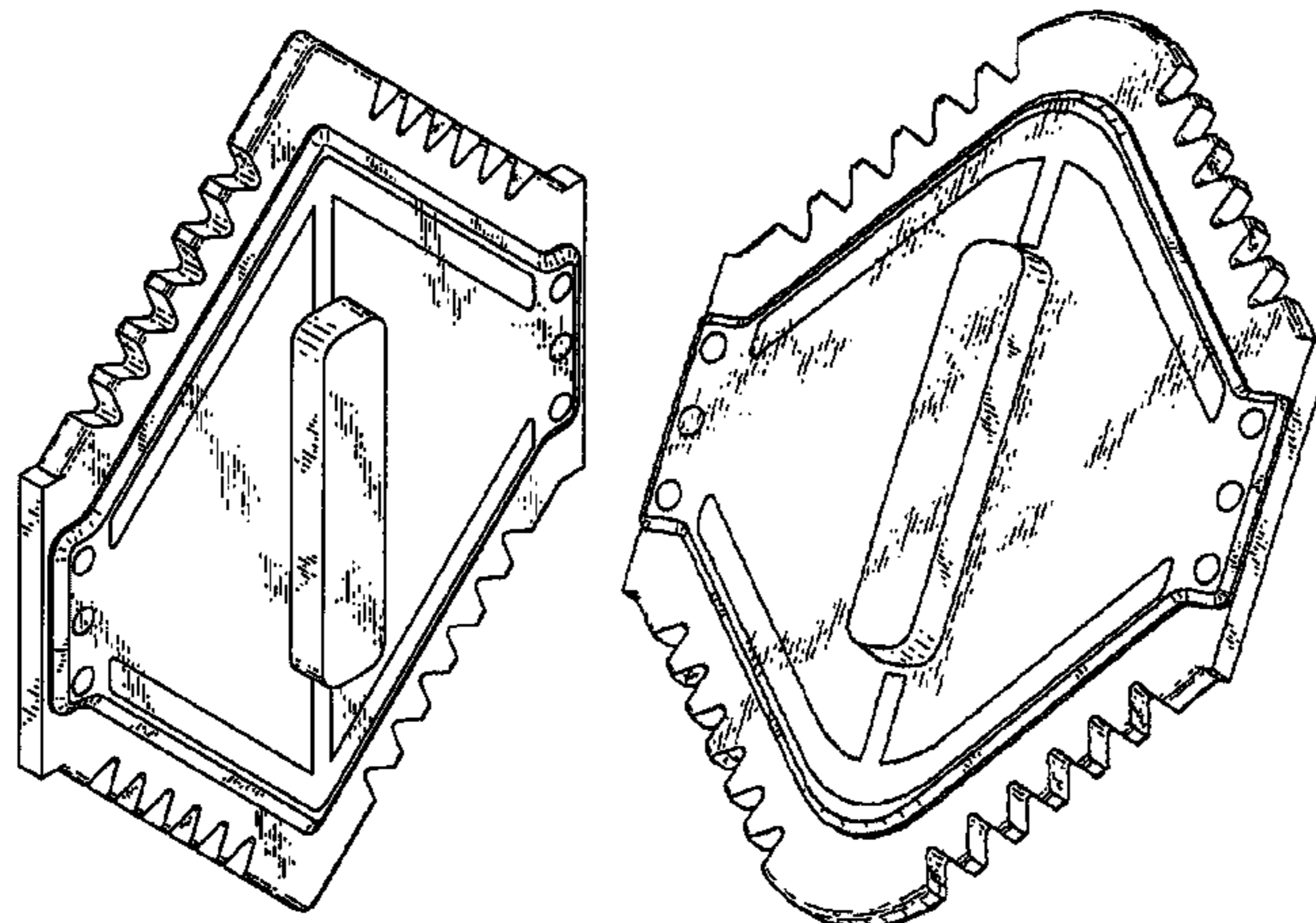
(74) *Attorney, Agent, or Firm*—Greer, Burns & Crain, Ltd.

(57) **CLAIM**

The ornamental design for an outside corner gate for paper beading apparatus, as shown and described.

FIG. 1 is a front perspective view of the present gate;
FIG. 2 is a front view of the gate of FIG. 1;
FIG. 3 is a rear view of the same;
FIG. 4 is a right side view, the left side view being identical, of the gate of FIG. 1;
FIG. 5 is a top view, the bottom view being identical, of the same;
FIG. 6 is a front perspective view of an alternate embodiment of the present gate;
FIG. 7 is a front view of the gate of FIG. 6;
FIG. 8 is a rear view of the same;
FIG. 9 is a right side view, the left side view being identical, of the gate of FIG. 6;
FIG. 10 is a top view, the bottom view being identical, of the same;
FIG. 11 is a front perspective view of another alternate embodiment of the present gate;
FIG. 12 is a front view of the gate of FIG. 11;
FIG. 13 is a rear view of the same;
FIG. 14 is a right side view, the left side view being identical, of the gate of FIG. 11;
FIG. 15 is a top view, the bottom view being identical, of the same;
FIG. 16 is a front perspective view of another alternate embodiment of the present gate;
FIG. 17 is a front view of the gate of FIG. 16;
FIG. 18 is a rear view of the same;
FIG. 19 is a right side view, the left side view being identical, of the gate of FIG. 16; and,
FIG. 20 is a top view, the bottom view being identical, of the same.
The broken lines in the drawings depict unclaimed environmental subject matter.

1 Claim, 8 Drawing Sheets



US D608,377 S

Page 2

U.S. PATENT DOCUMENTS

| | | | | | | | | | |
|-----------|---|---------|---------------|--------------|----|---|---------|-------------------|---------|
| 5,169,449 | A | 12/1992 | Raught | D464,544 | S | * | 10/2002 | Motley | D8/14 |
| 5,421,886 | A | 6/1995 | Poole et al. | 6,907,908 | B1 | | 6/2005 | Weldy | |
| 5,498,287 | A | 3/1996 | Barnfield | D583,840 | S | * | 12/2008 | Rosso et al. | D15/138 |
| 5,676,793 | A | 10/1997 | Martin et al. | 2007/0261334 | A1 | | 11/2007 | Conboy | |
| | | | | 2007/0277475 | A1 | | 12/2007 | Smythe | |

* cited by examiner

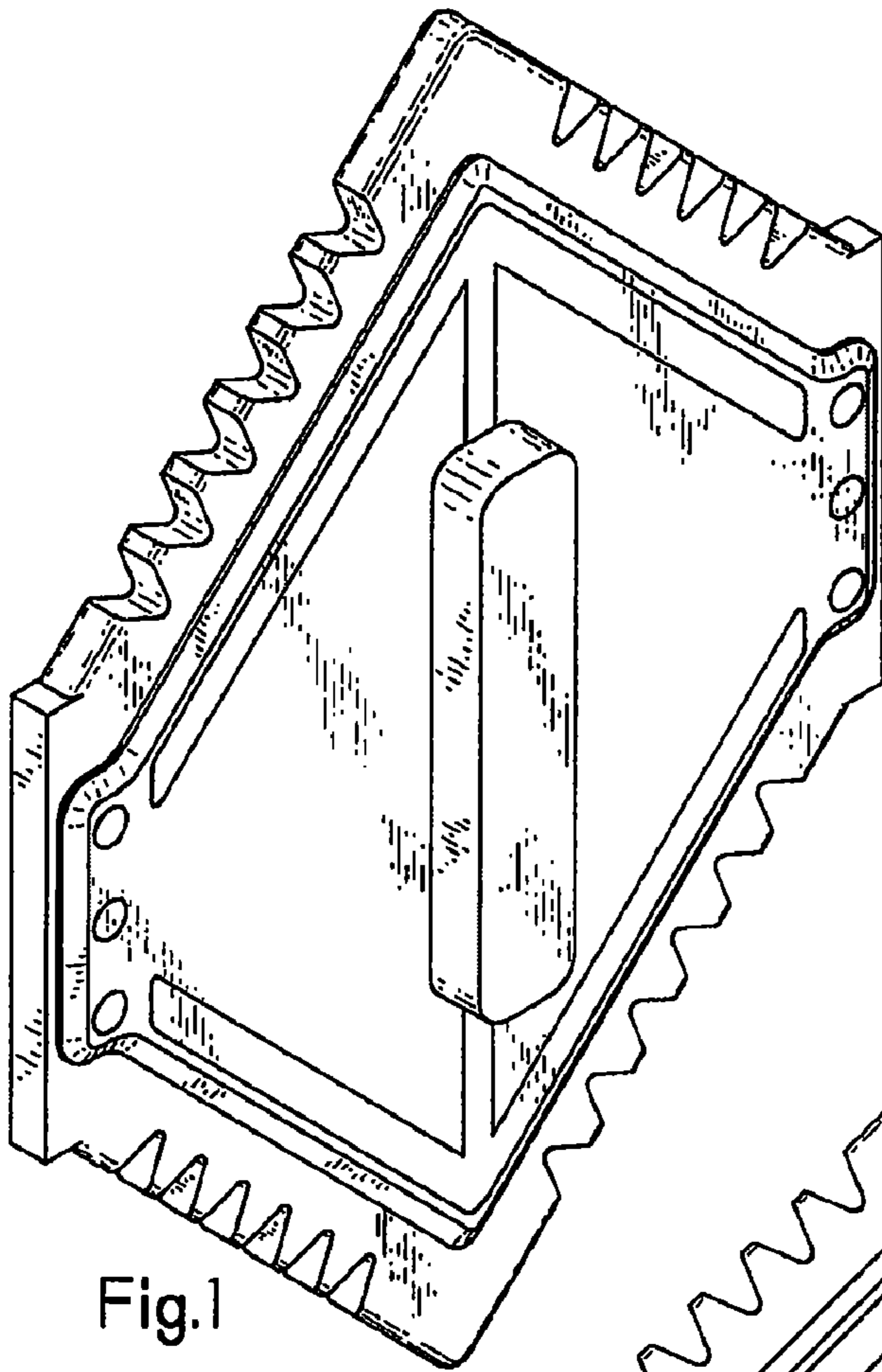


Fig.1

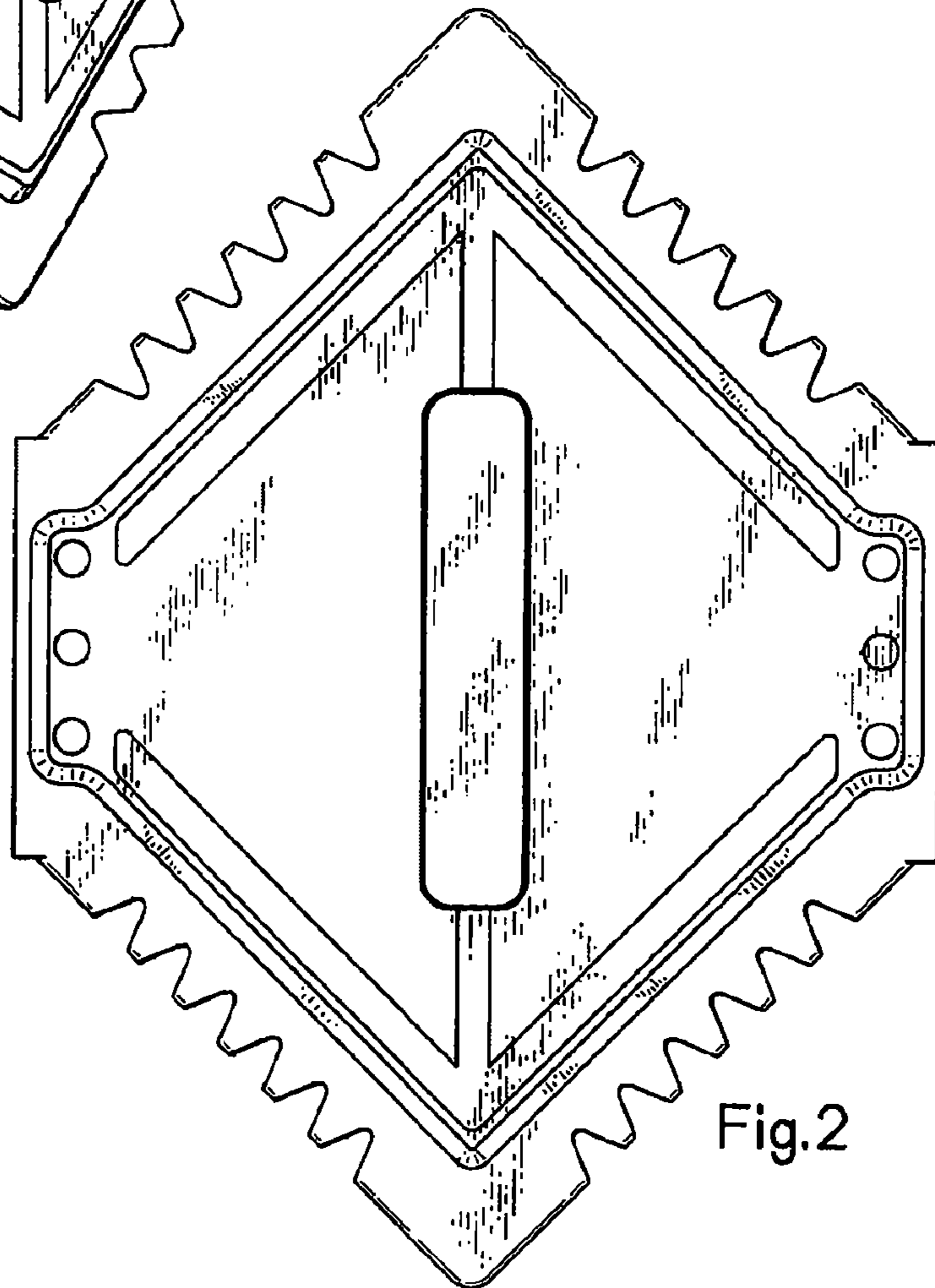


Fig.2

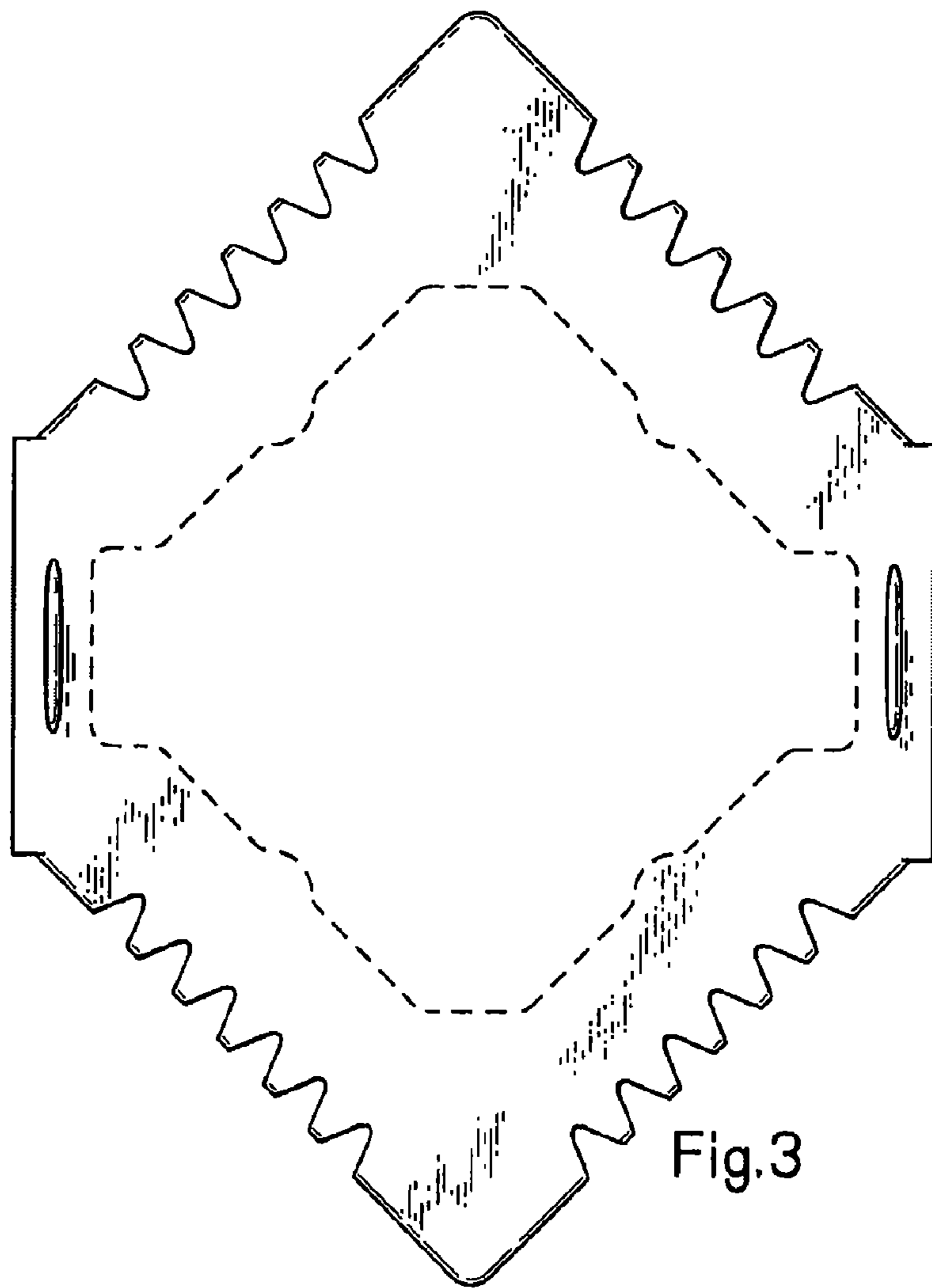


Fig.3

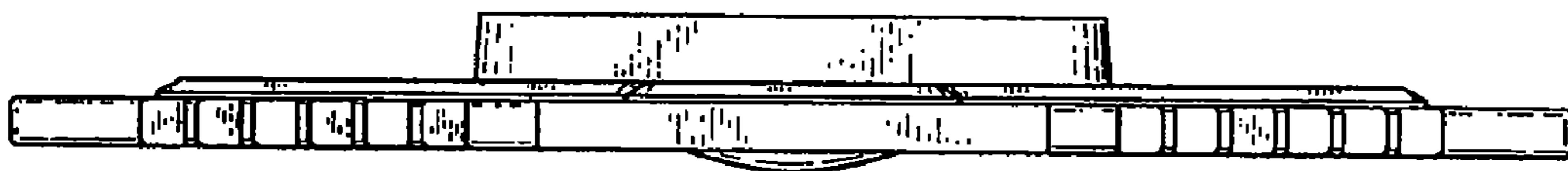


Fig.4



Fig.5

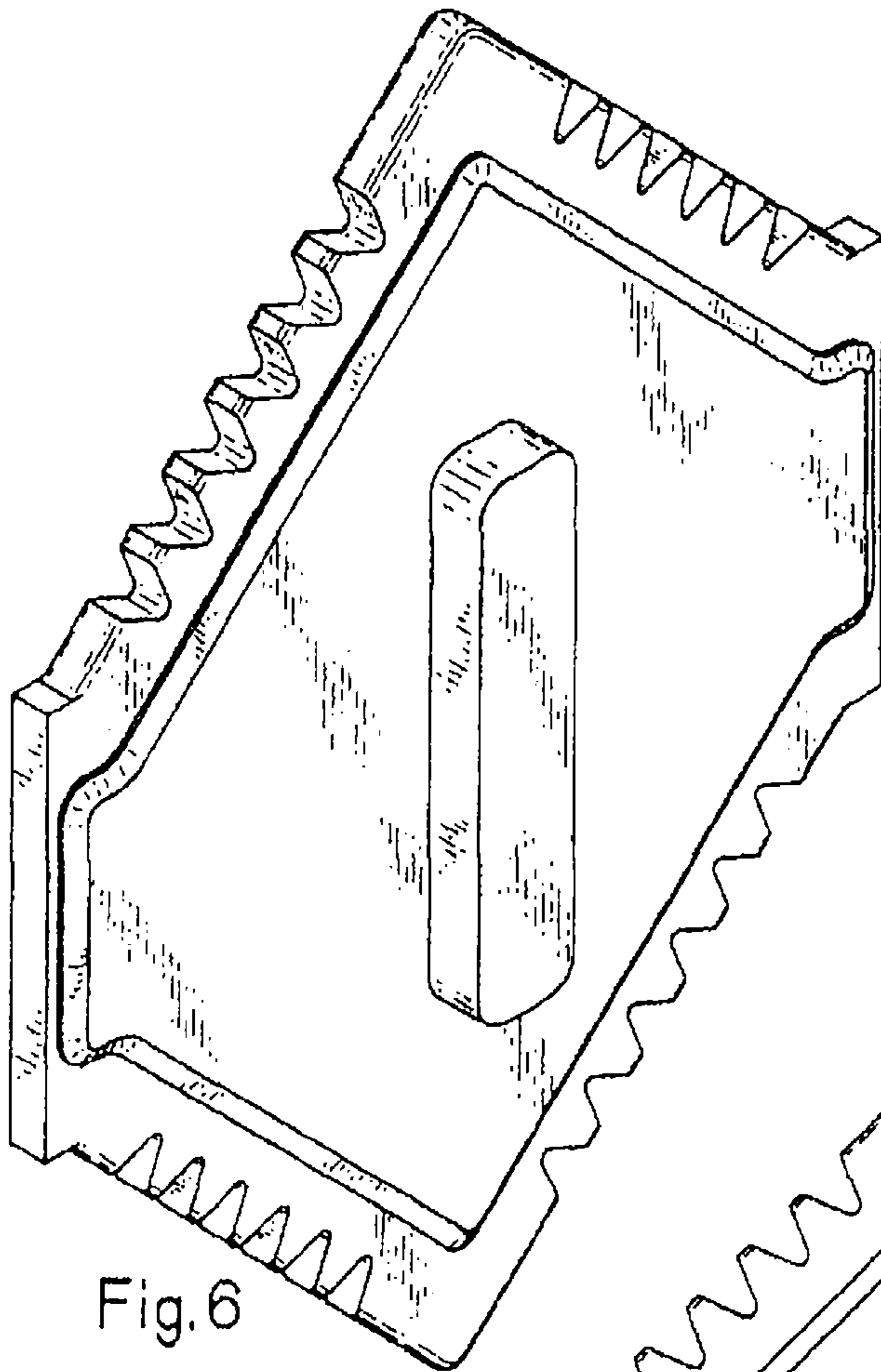


Fig. 6

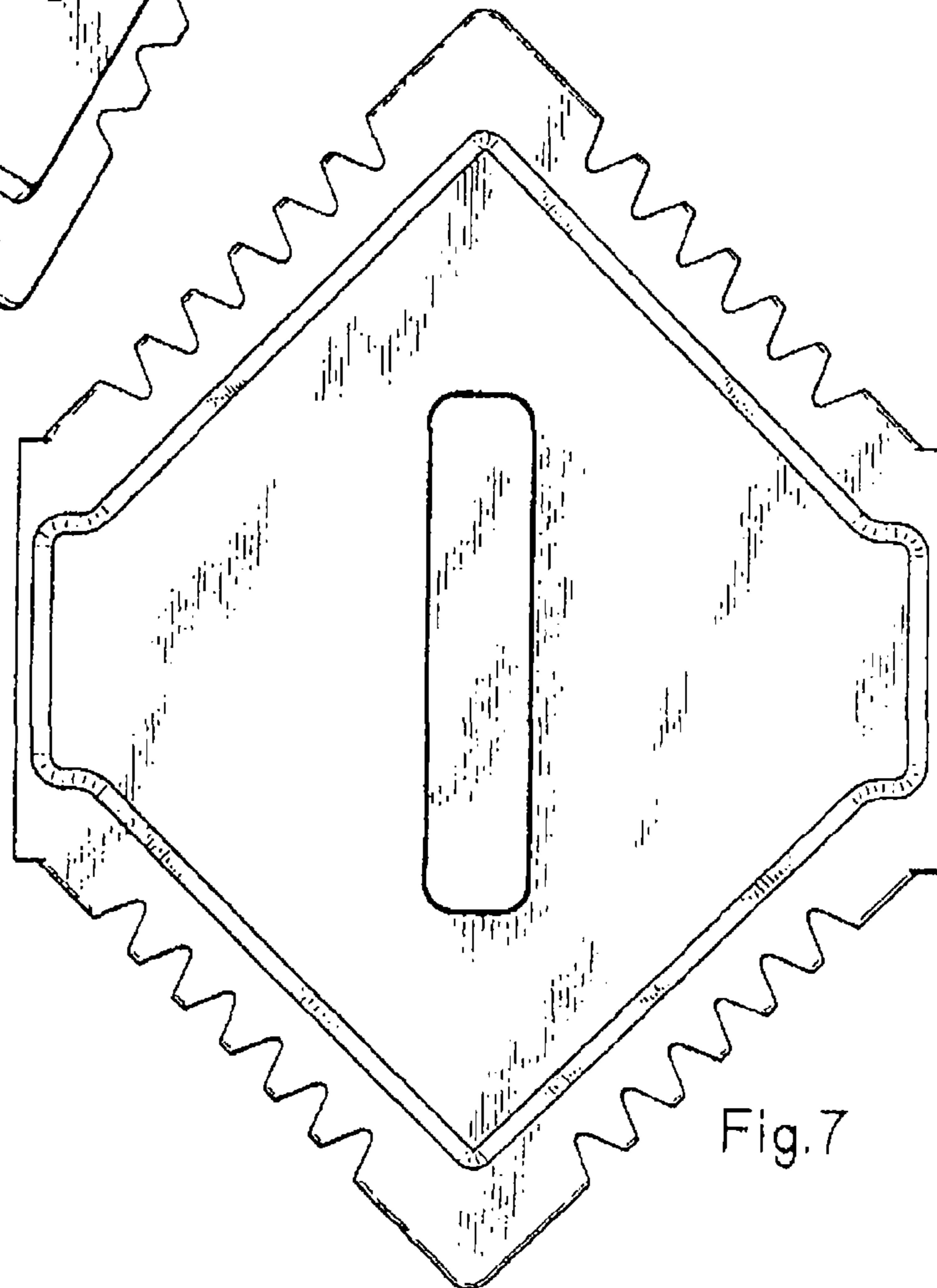


Fig. 7

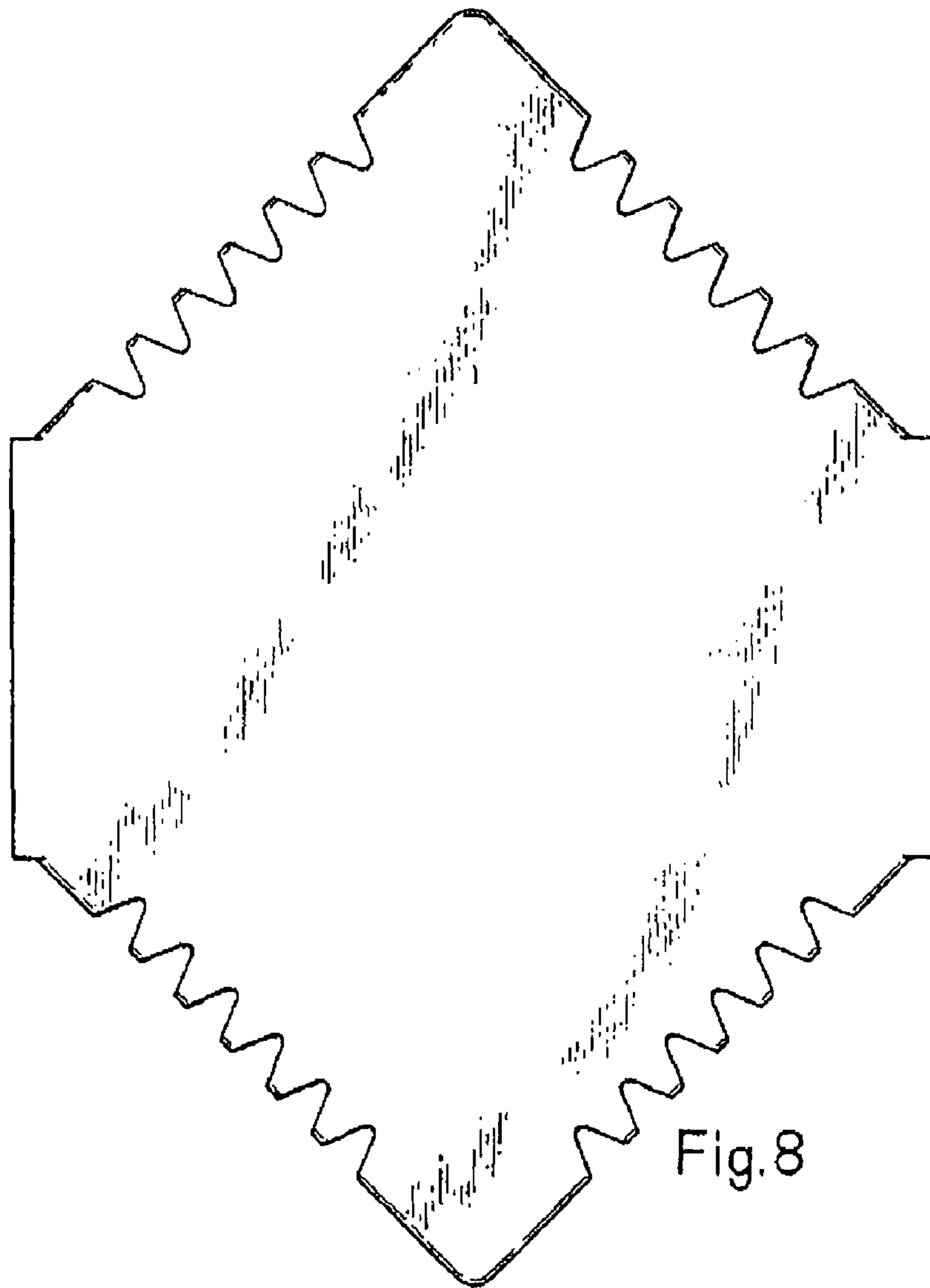


Fig. 8

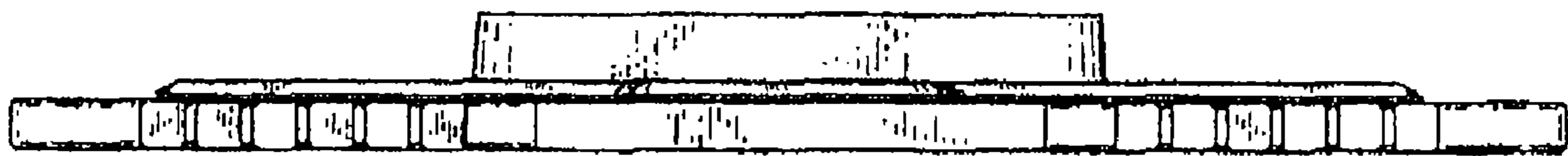


Fig. 9



Fig. 10

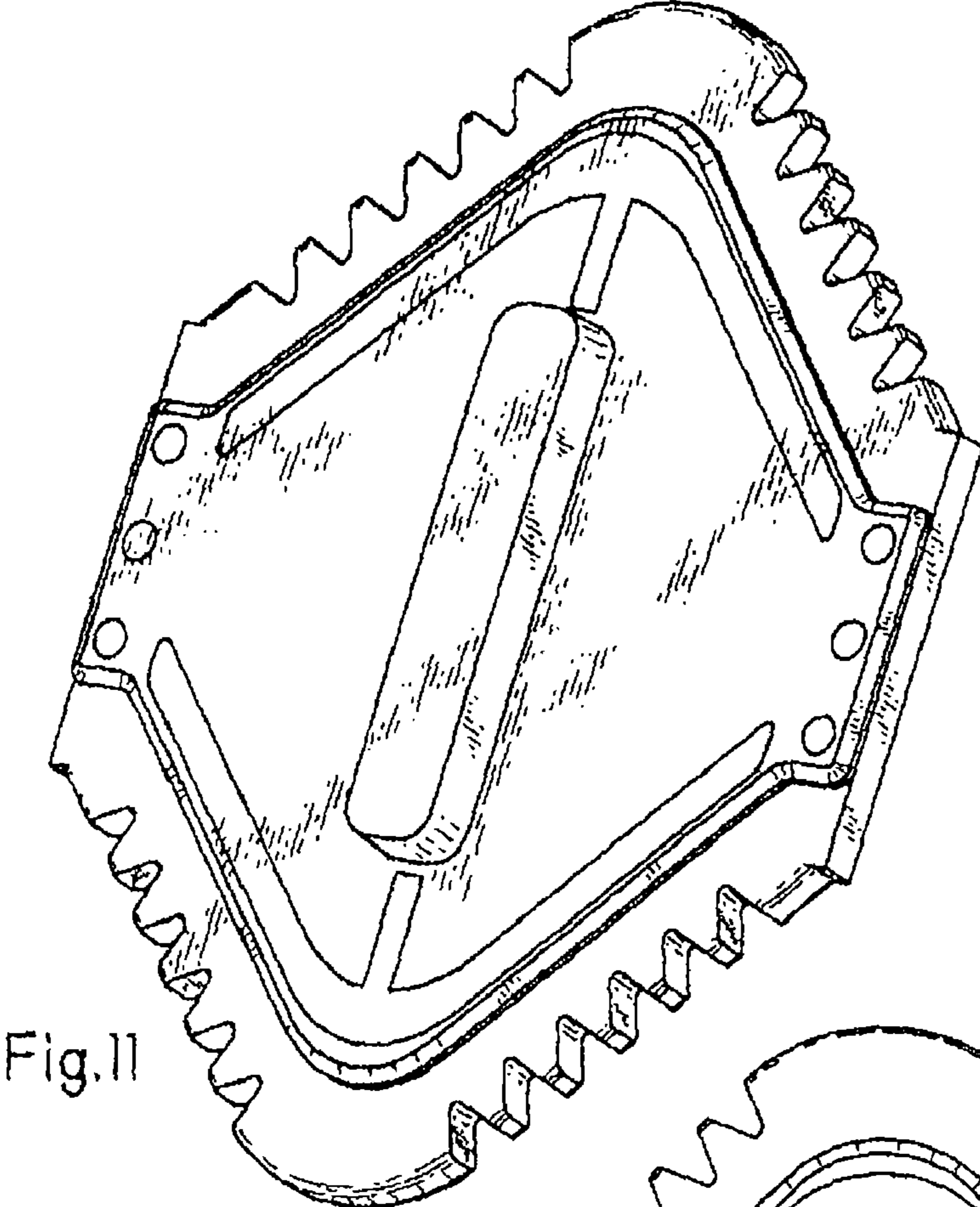


Fig. 11

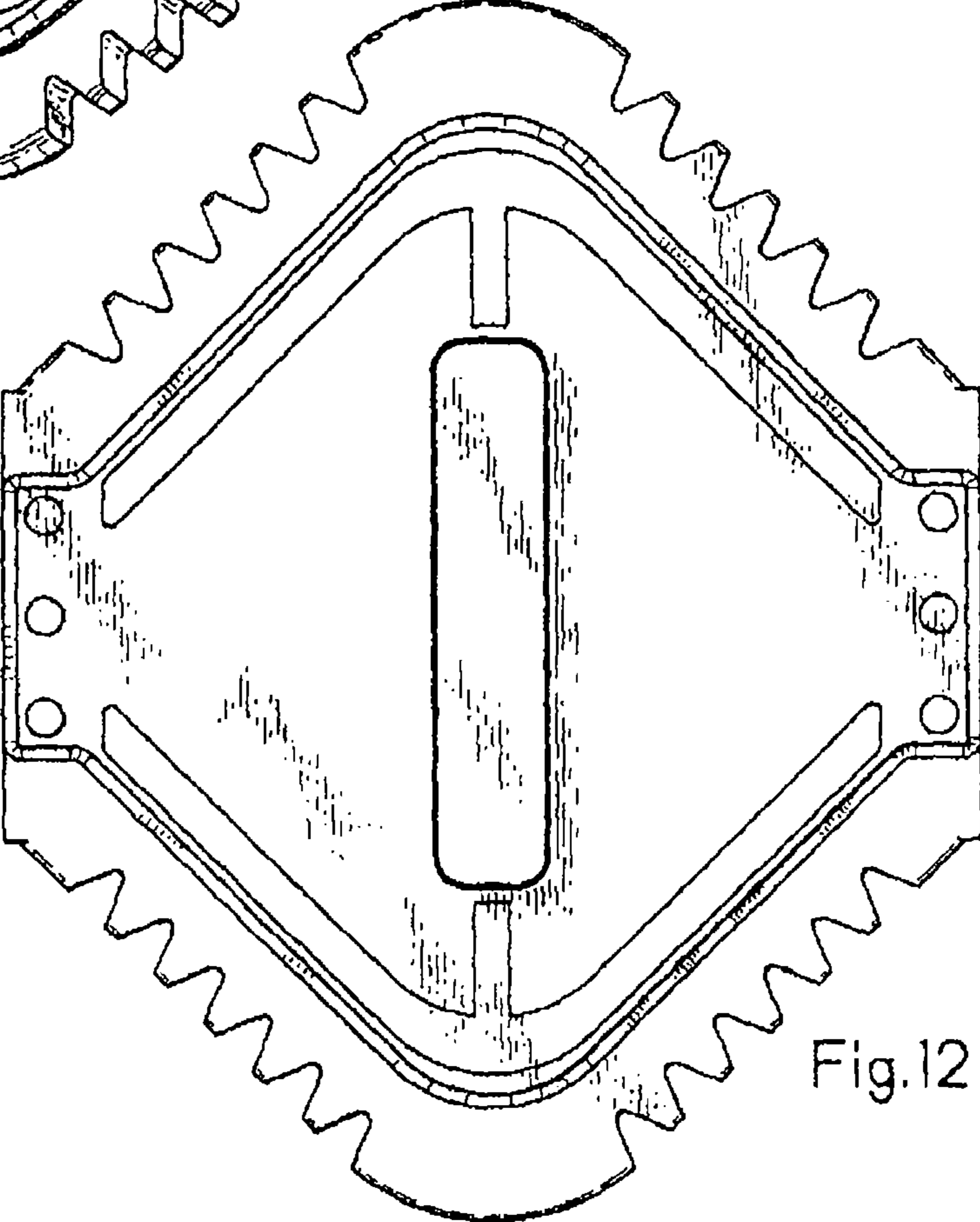


Fig. 12

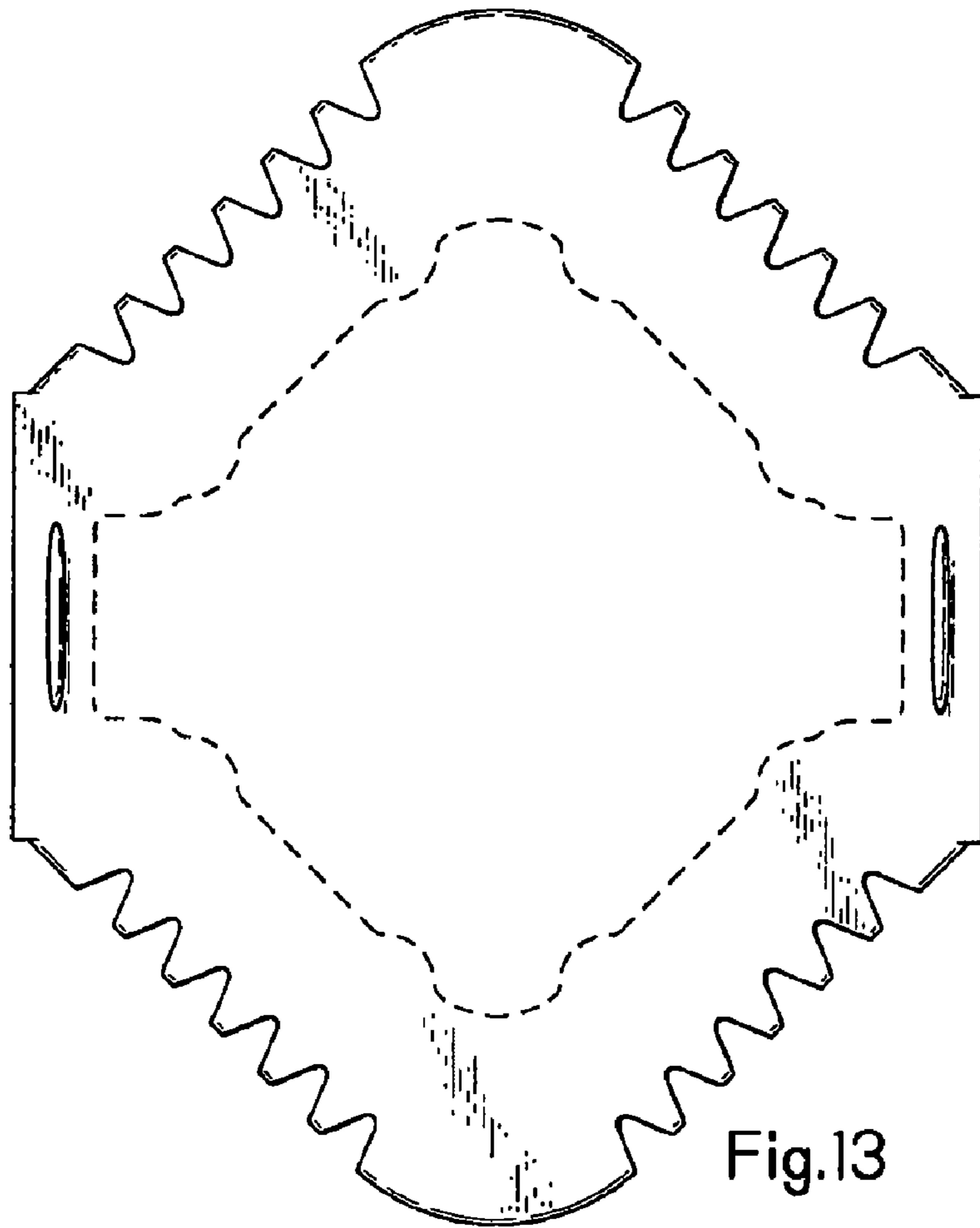


Fig.13

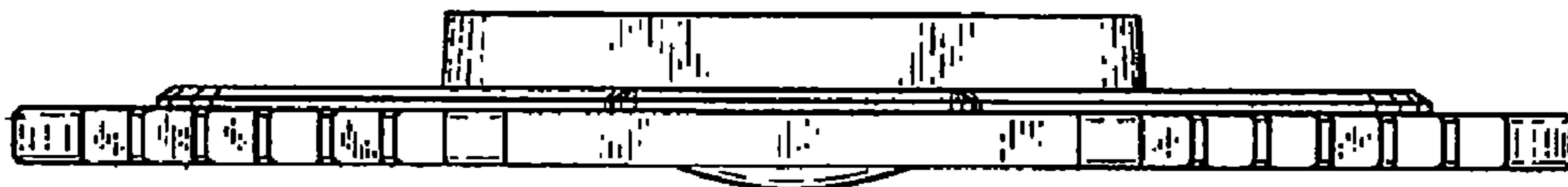


Fig.14

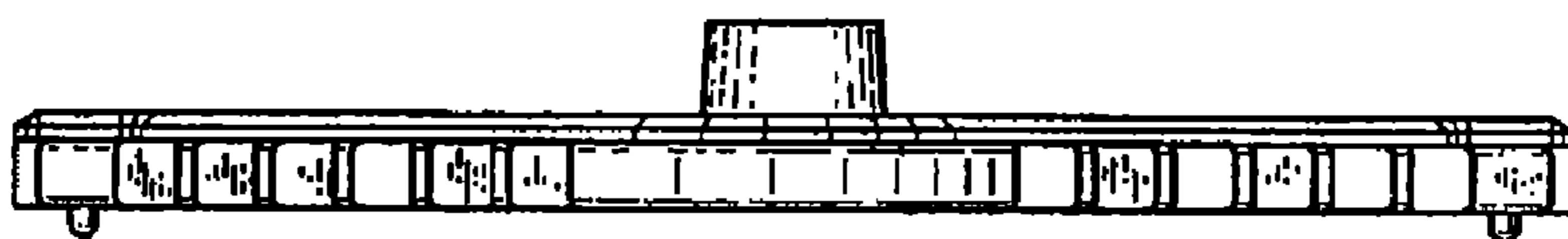


Fig.15

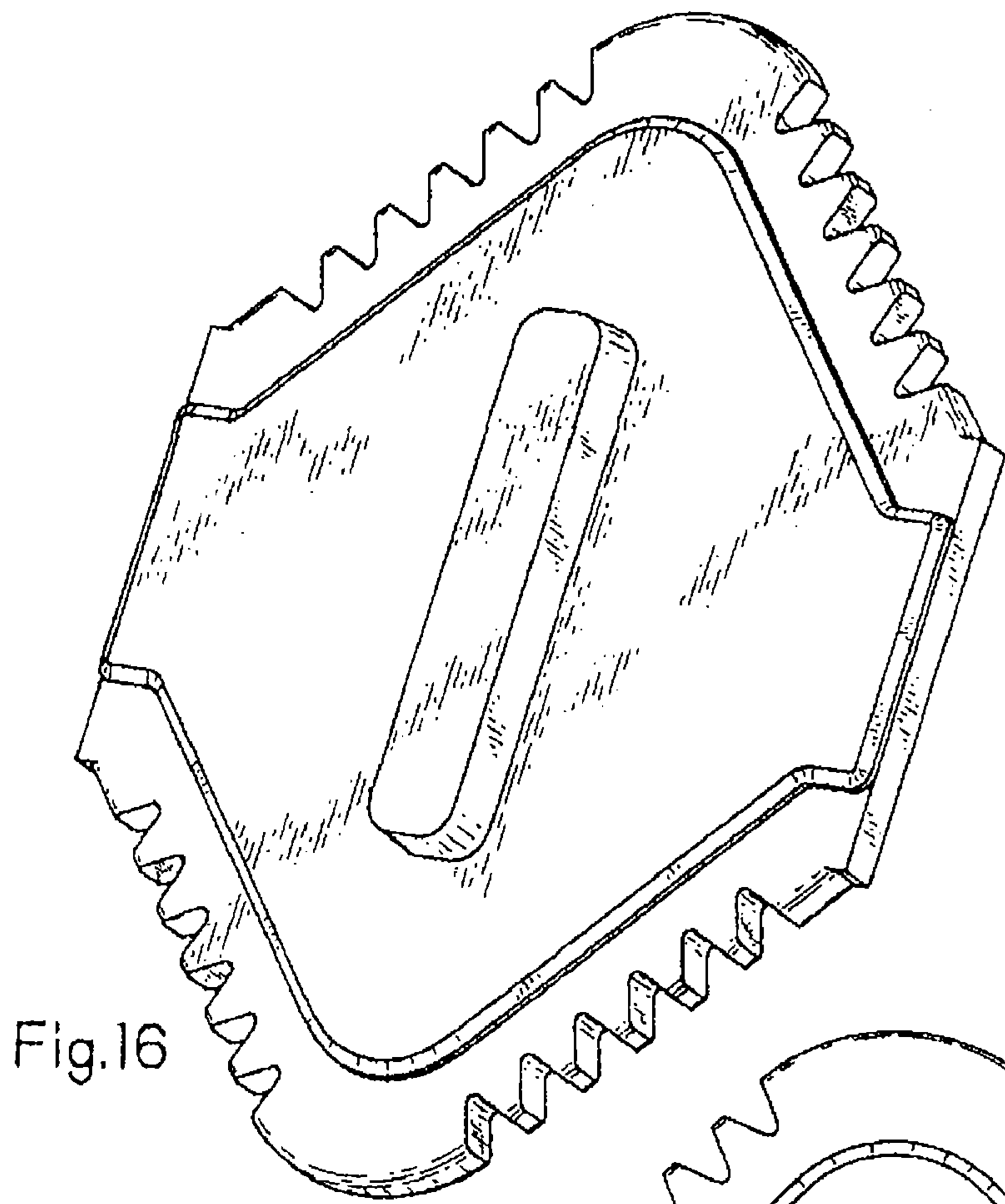


Fig.16

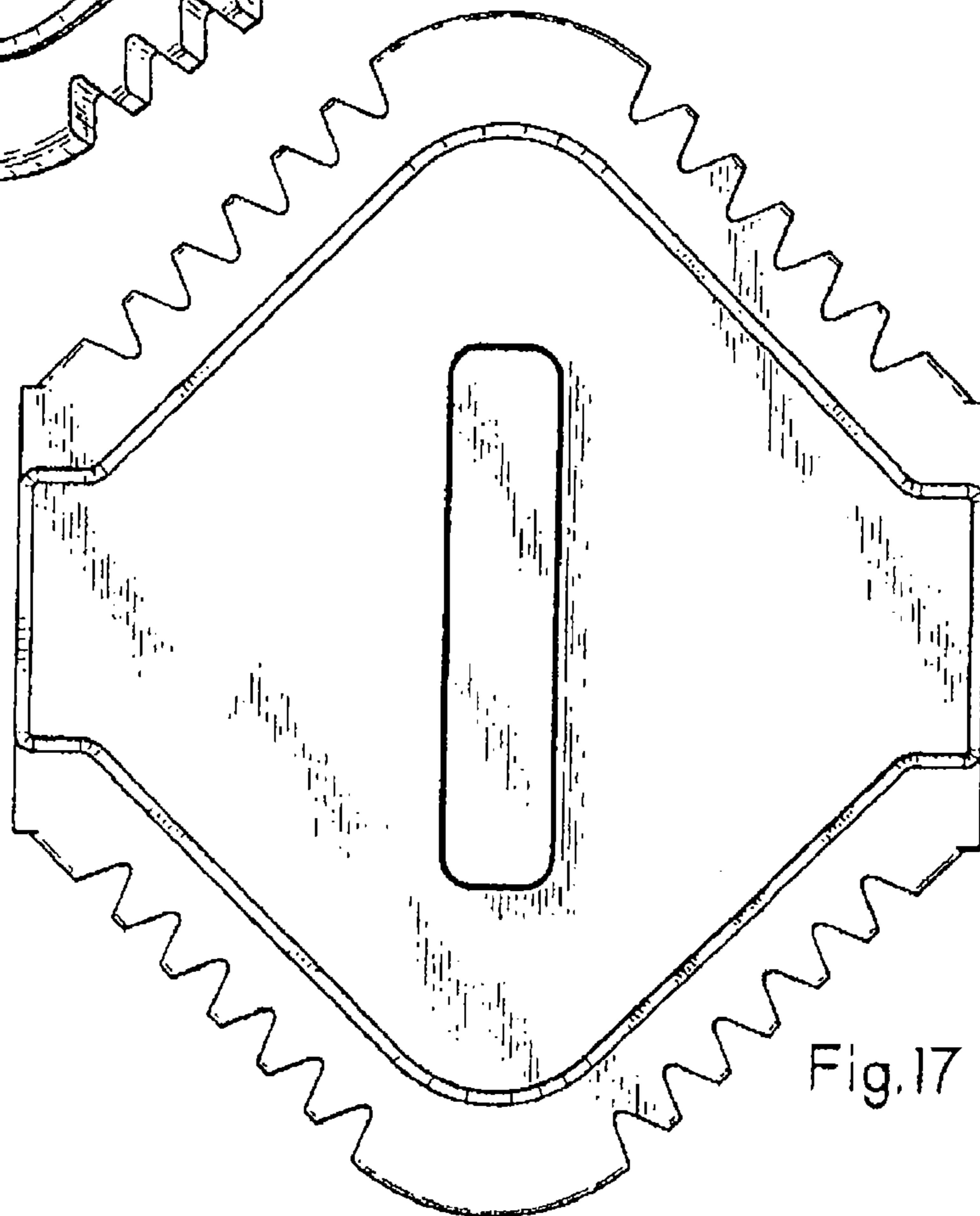


Fig.17

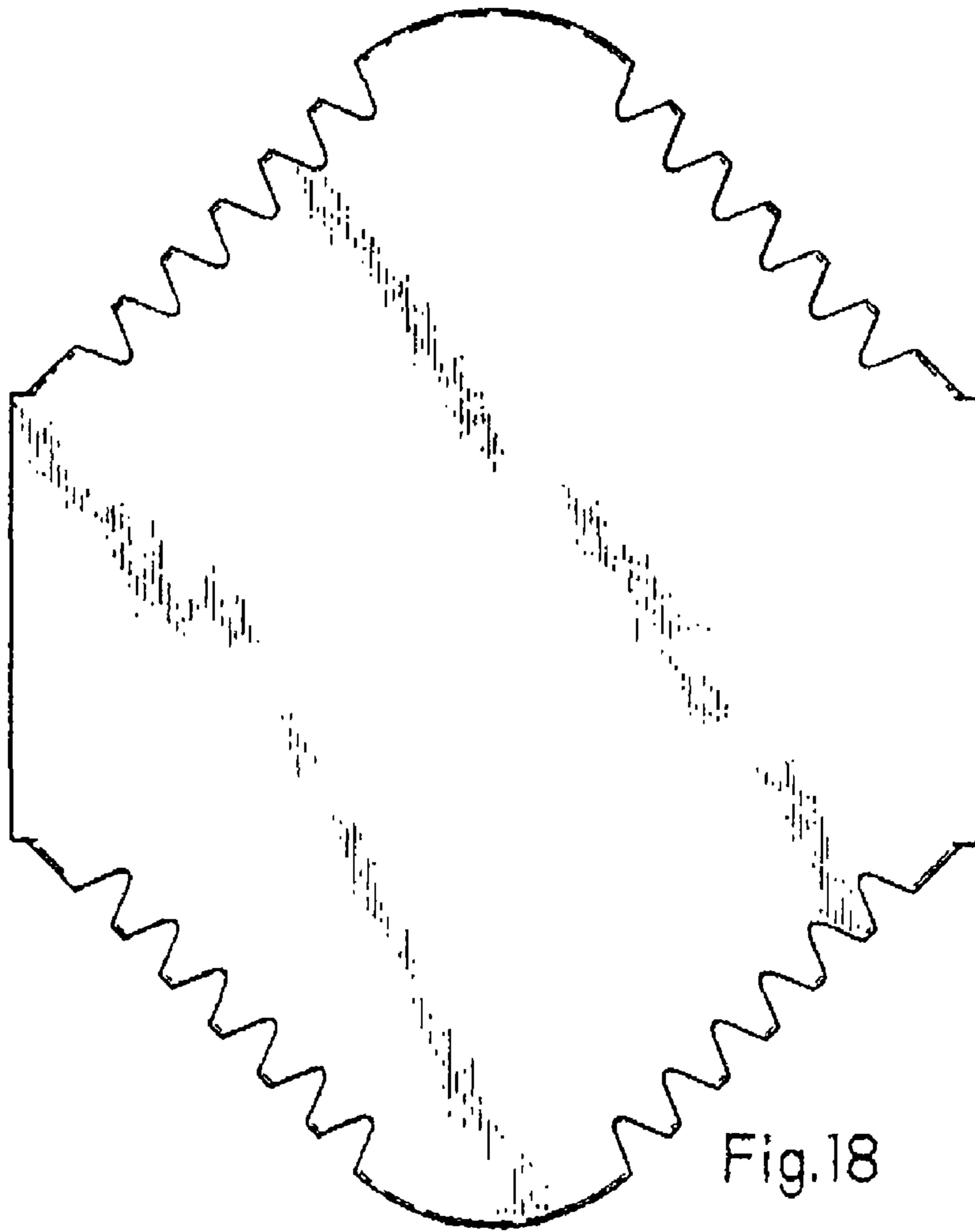


Fig.18

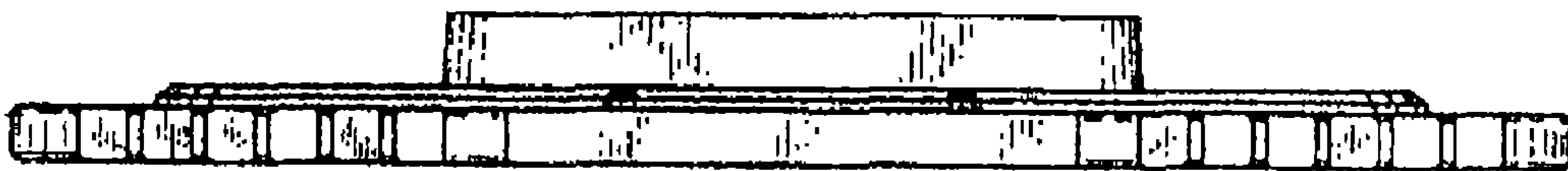


Fig.19



Fig.20