

US00D608375S

(12) **United States Design Patent**
Kokawa et al.

(10) **Patent No.:** **US D608,375 S**

(45) **Date of Patent:** **** Jan. 19, 2010**

(54) **TABLE CUTTING DEVICE**

(75) Inventors: **Kiyozumi Kokawa**, Anjo (JP); **Shinsuke Okuda**, Anjo (JP); **Masahiko Miura**, Anjo (JP)

(73) Assignee: **Makita Corporation**, Anjo (JP)

(**) Term: **14 Years**

(21) Appl. No.: **29/309,573**

(22) Filed: **Sep. 5, 2008**

(30) **Foreign Application Priority Data**

Mar. 10, 2008 (JP) 2008-05792

(51) **LOC (9) Cl.** **15-09**

(52) **U.S. Cl.** **D15/133**

(58) **Field of Classification Search** D8/67,
D8/68, 69; D15/133; 83/378, 388, 391,
83/397, 468.3, 469, 471.3, 486.1, 490, 581
See application file for complete search history.

(56) **References Cited**

U.S. PATENT DOCUMENTS

D346,173 S * 4/1994 Price D15/133
D388,442 S * 12/1997 Shibata et al. D15/133
D388,443 S 12/1997 Kondo
D459,373 S * 6/2002 Hollinger et al. D15/133
D478,103 S 8/2003 Kani et al.

D487,280 S * 3/2004 Hon et al. D15/133
D520,033 S * 5/2006 Firth D15/133
D535,670 S * 1/2007 Firth D15/133
D547,338 S * 7/2007 Firth D15/133
2004/0074363 A1 * 4/2004 Svetlik et al. 83/581
2005/0284276 A1 * 12/2005 Talesky et al. 83/471.3
2007/0074611 A1 * 4/2007 Hu 83/471.2

* cited by examiner

Primary Examiner—Patricia Palasik

(74) *Attorney, Agent, or Firm*—Oliff & Berridge, PLC

(57) **CLAIM**

The ornamental design for a table cutting device, as shown and described.

DESCRIPTION

FIG. 1 is a perspective view of a table cutting device showing our new design;

FIG. 2 is a front elevation view thereof;

FIG. 3 is a rear elevation view thereof;

FIG. 4 is a left side elevation view thereof;

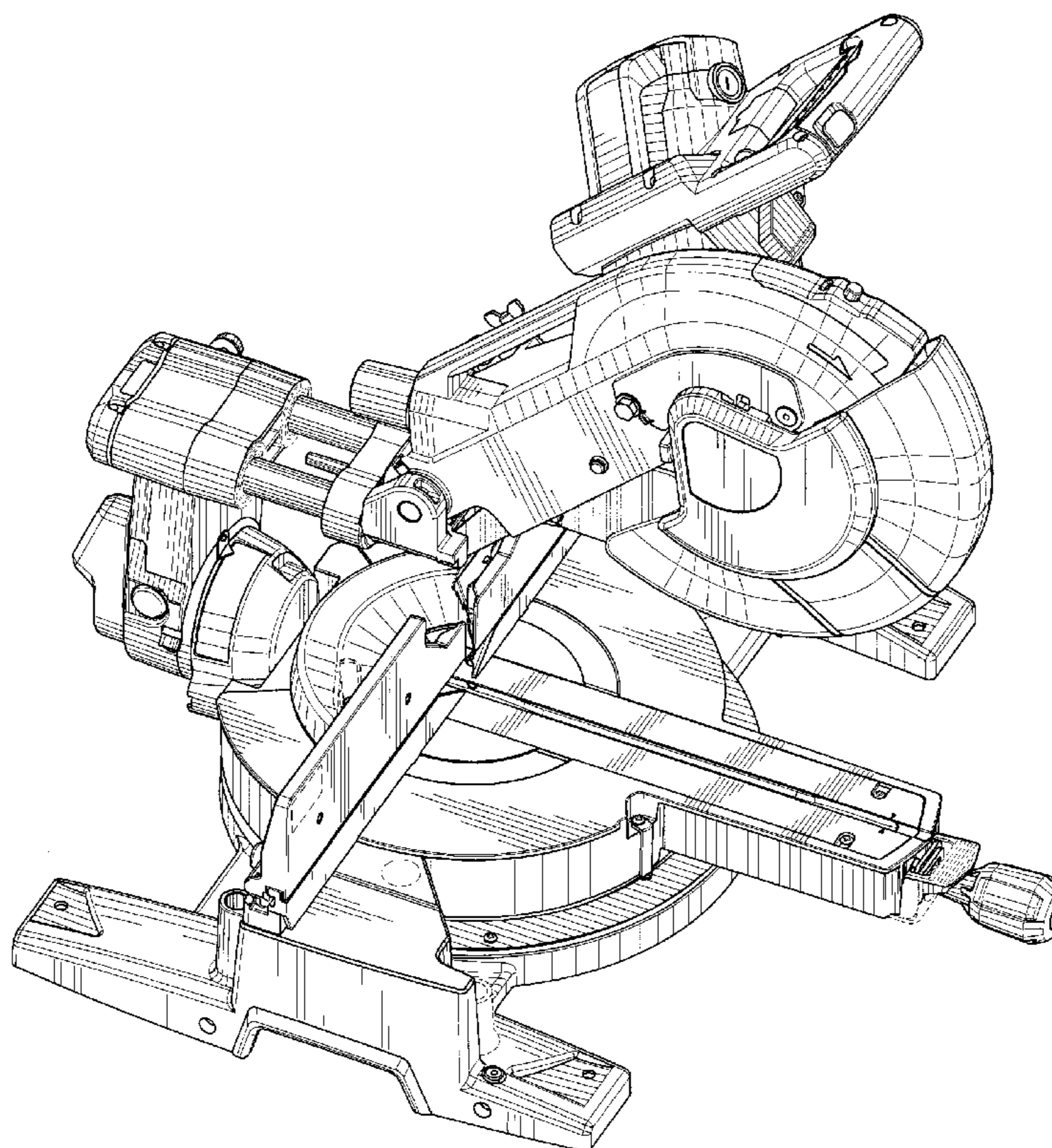
FIG. 5 is a right side elevation view thereof;

FIG. 6 is a top plan view thereof; and,

FIG. 7 is a bottom plan view thereof.

The broken lines depict environmental subject matter only and form no part of the claimed design.

1 Claim, 7 Drawing Sheets



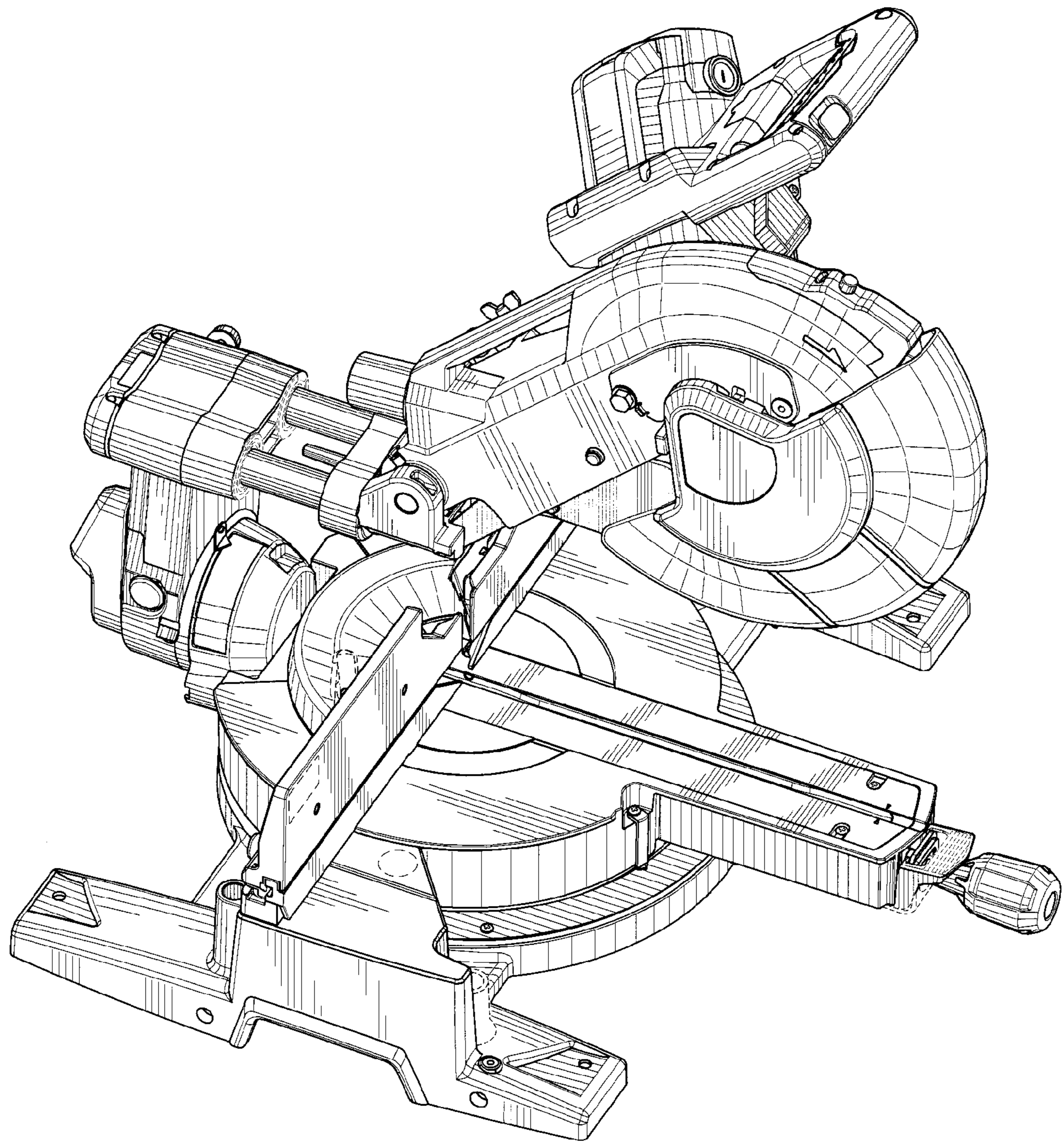


FIG. 1

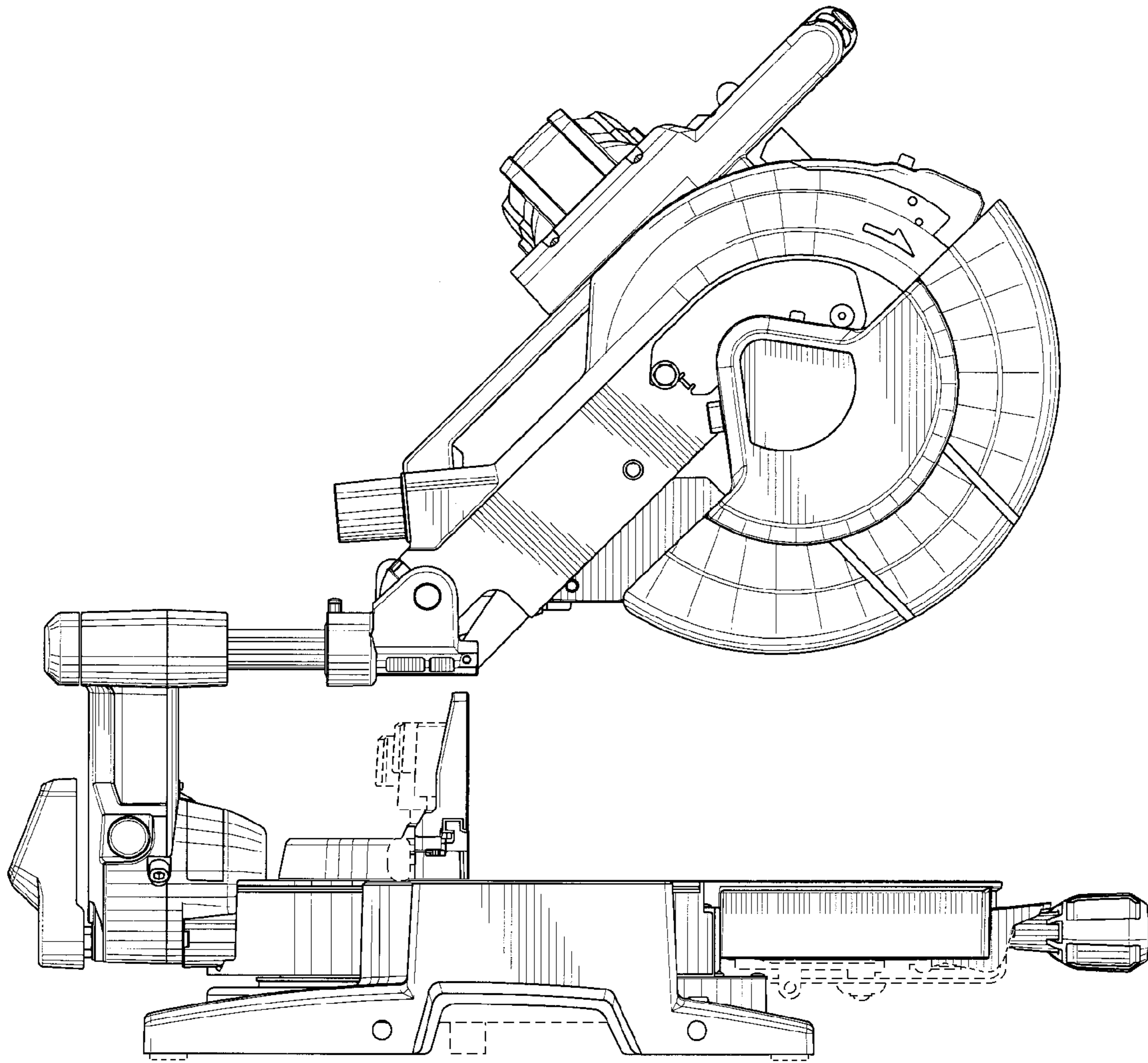


FIG. 2

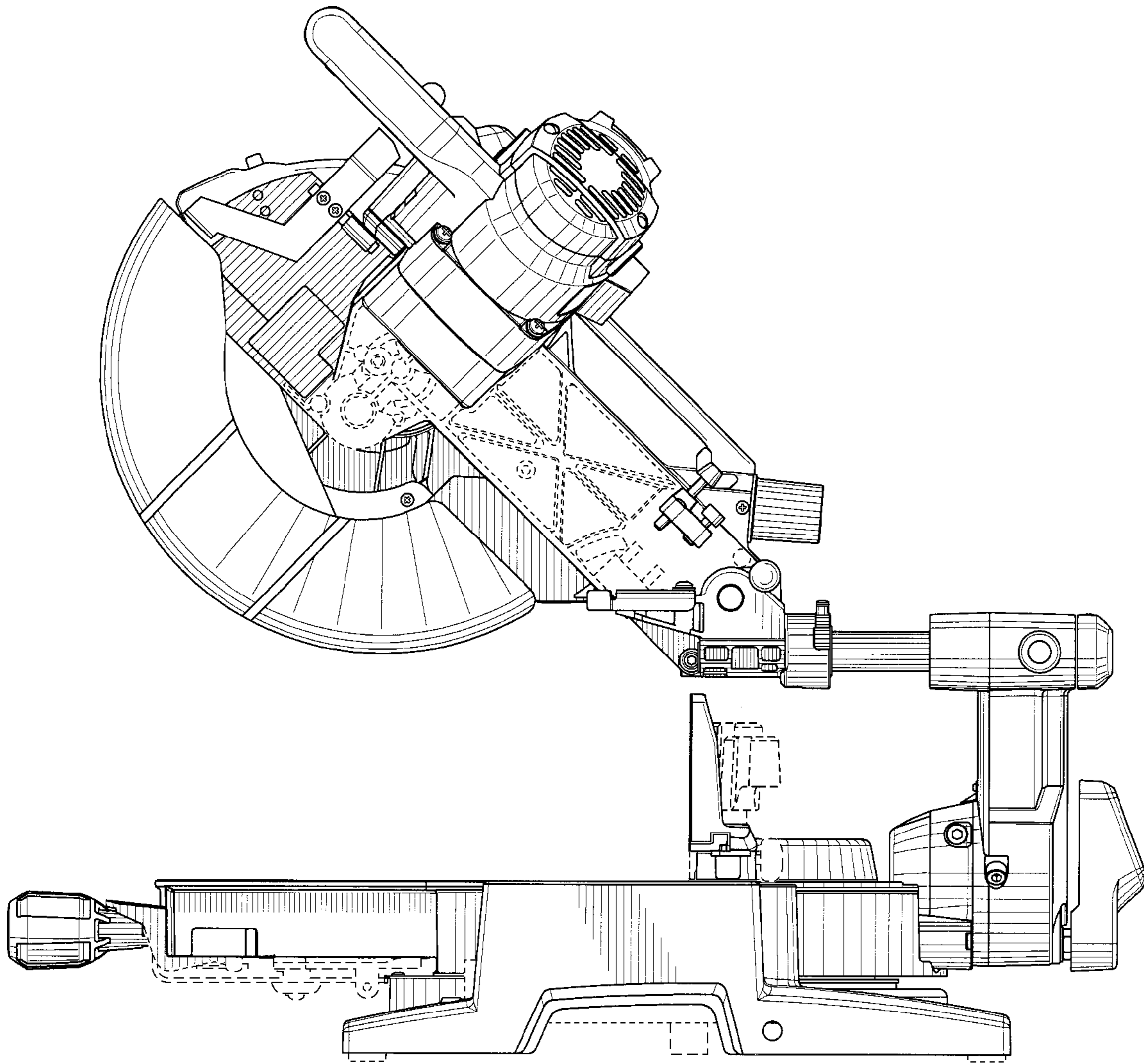


FIG. 3

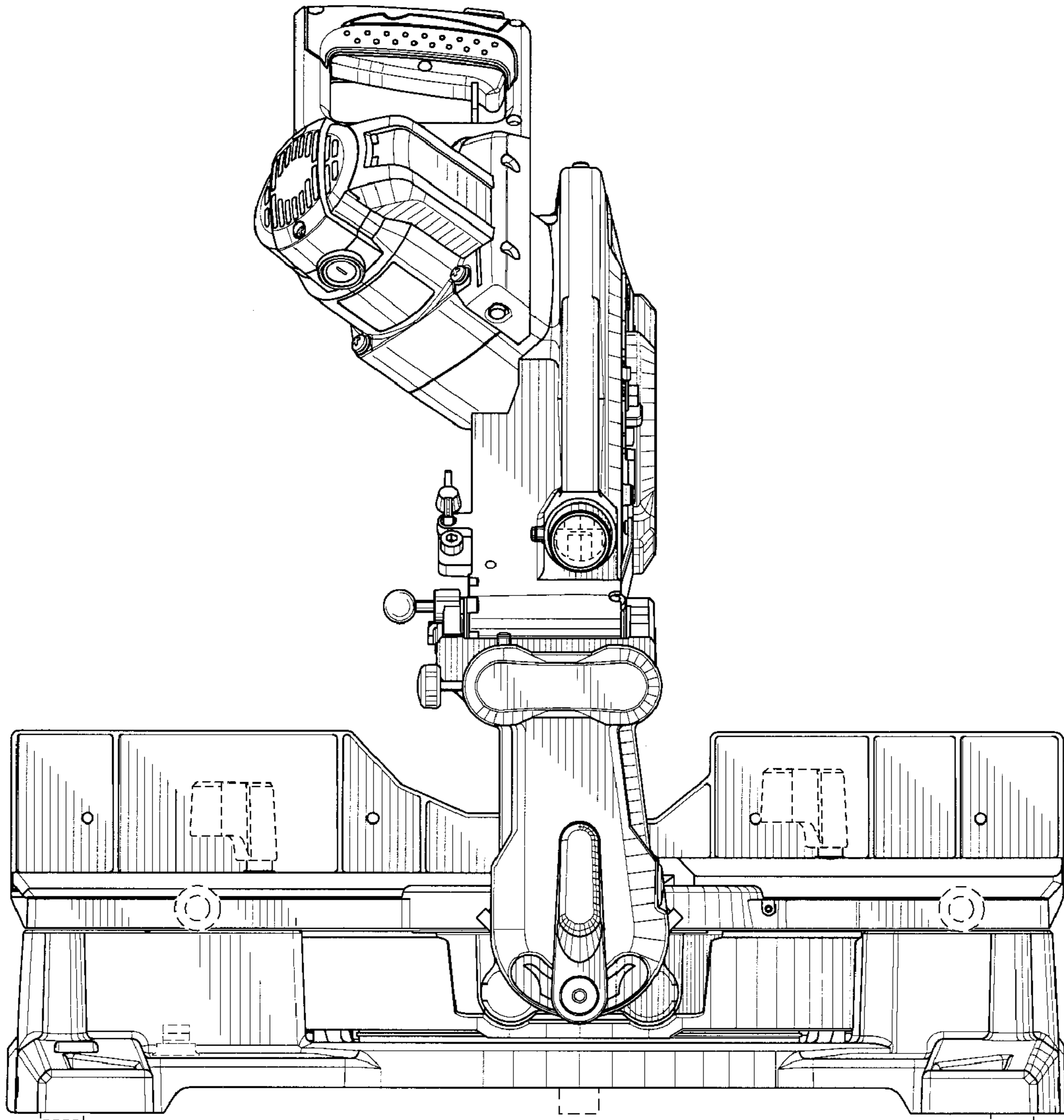


FIG. 4

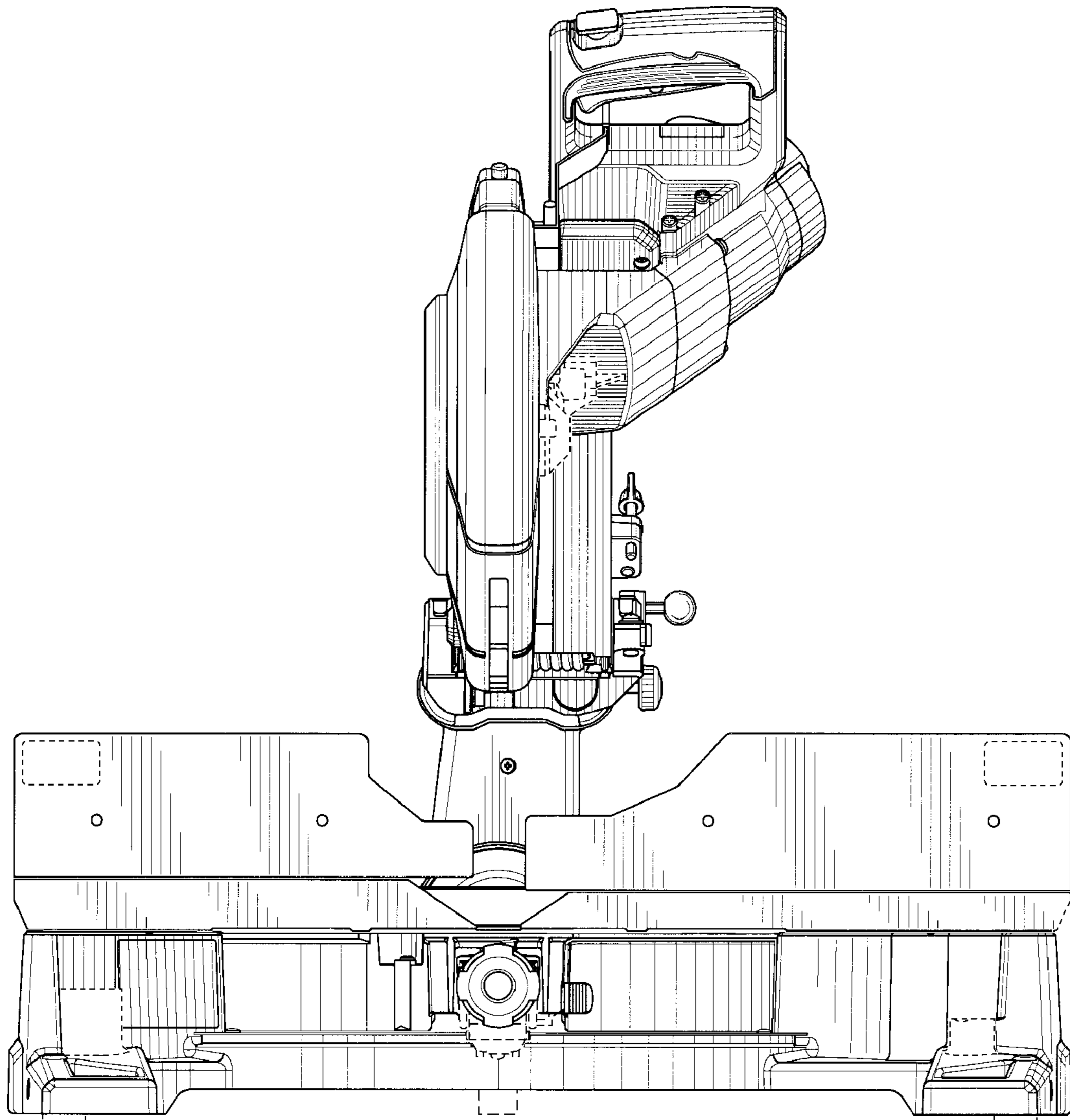


FIG. 5

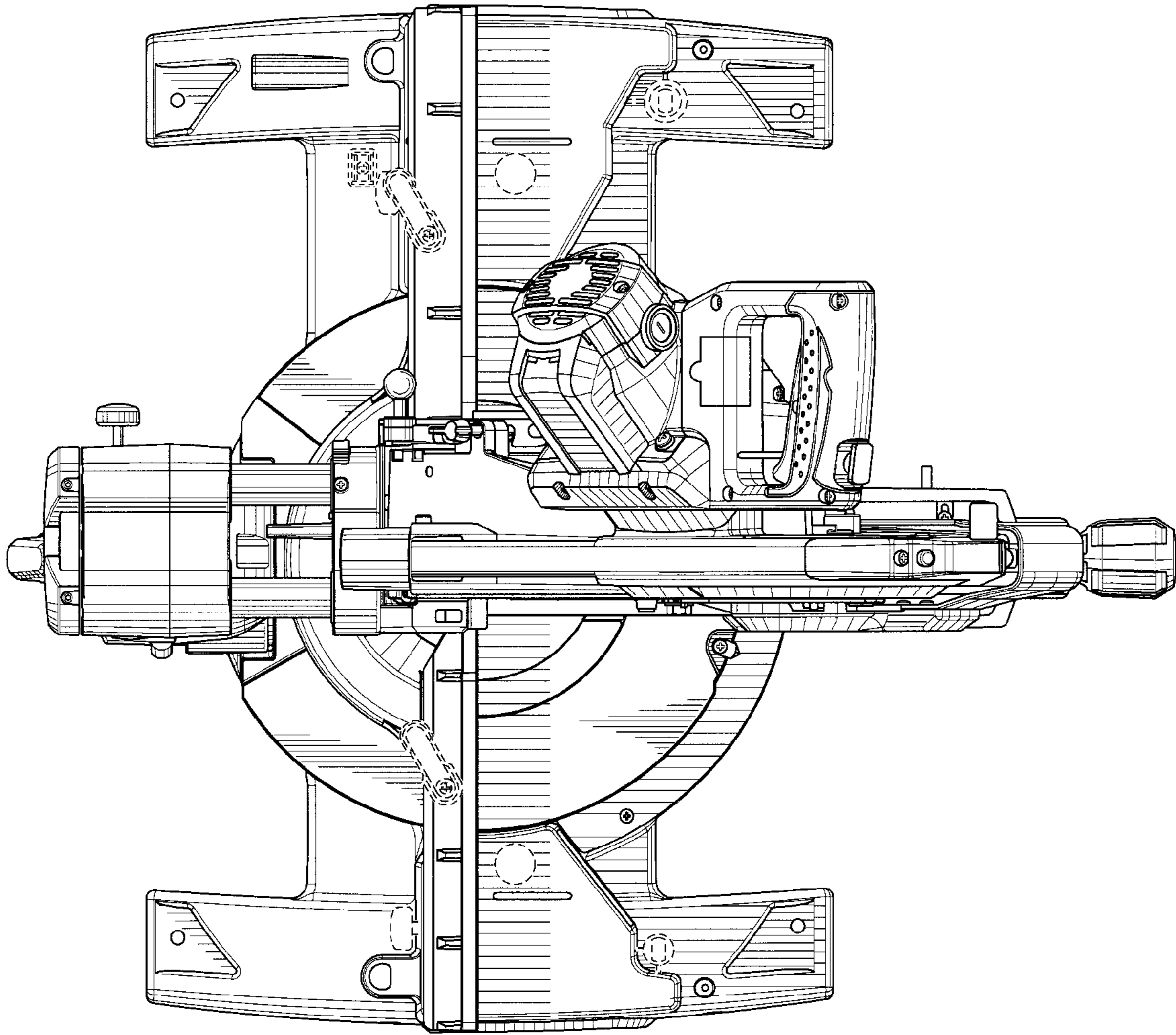


FIG. 6

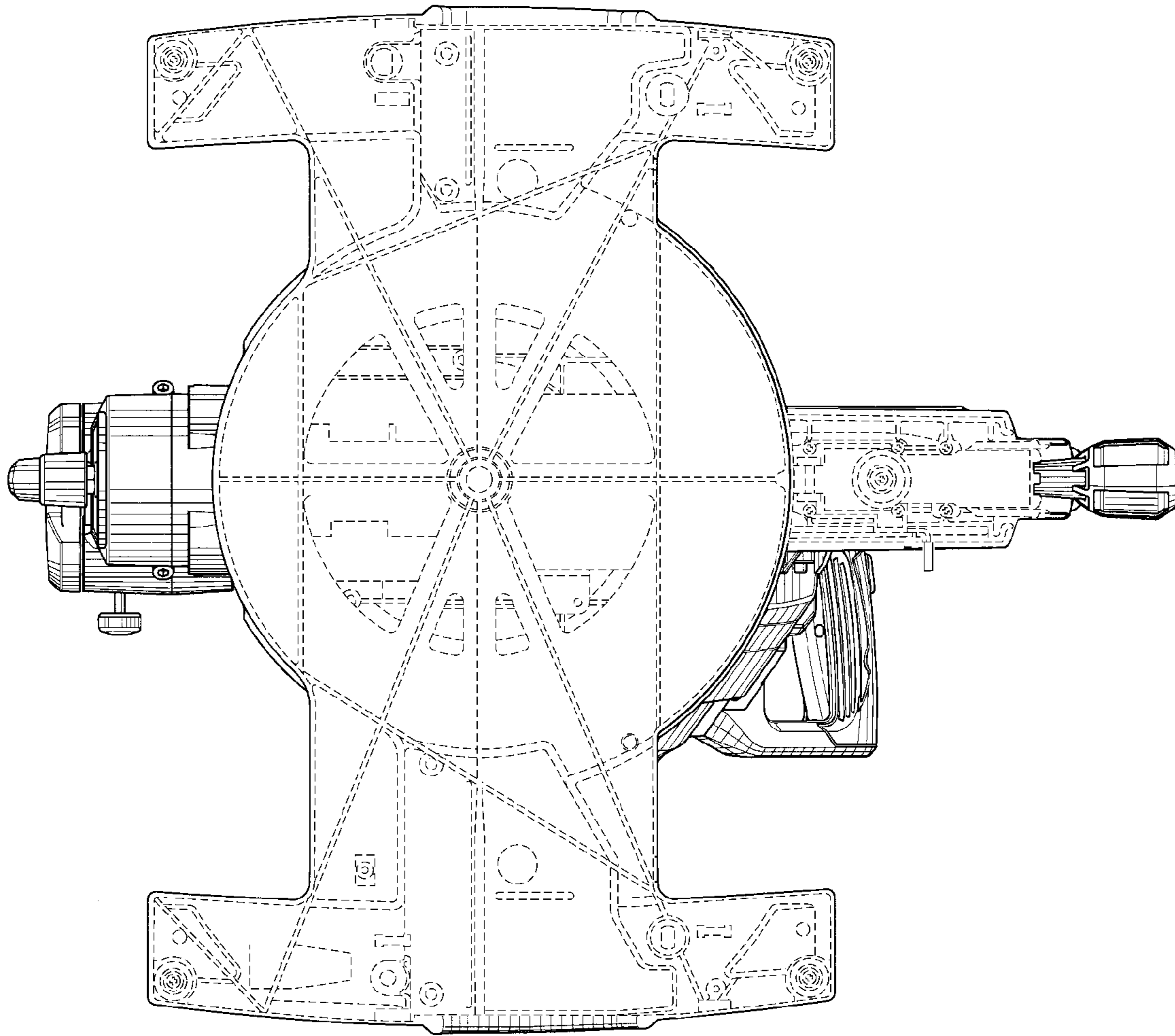


FIG. 7